



8. ULUSLARARASI
PALANDÖKEN
BİLİMSEL ÇALIŞMALAR KONGRESİ
09-10 MART 2024- ERZURUM

PALANDÖKEN

EDİTÖRLER:

Prof. Dr. Arzu ÖZYÜREK

Prof. Dr. Yeganə CAVADOVA

KONGRE KİTABI



İKSAD
Publishing House



CONGRESS ID

CONGRESS TITLE

**8. INTERNATIONAL PALANDÖKEN SCIENTIFIC
STUDIES CONGRESS**

DATE AND PLACE

09-10 MARCH 2024 ERZURUM /TURKEY ONLINE PRESENTATIONS

ORGANIZATION

**ISARC
INTERNATIONAL SCIENCE AND ART RESEARCH CENTER**

GENERAL COORDINATOR

Uzm. Yasemin AĞAOĞLU

COORDINATOR

Gamze KÖYMEN

EDITOR

Prof. Dr. Arzu ÖZYÜREK

Prof. Dr. Yeganə Cavadova

ORGANIZATION COMMITTEE

Prof. Dr. Cenk YAVUZ

Doç. Dr. Neslihan ŞAHİN

Doç. Dr. Sevcan YILDIZ

Dr. Aykan ÇOŞKUN

Dr. Nevim TÜZÜN

Yasin Oğuz ÖZMENEKŞE

ISBN: ' 978-625-367-668-1 '



SCIENCE AND ADVISORY COMMITTEE

- Prof. Dr. Ali AKİL**
Saiyed Parul University
- Prof. Dr. Erdin BOZKURT**
Orta Doğu Teknik Üniversitesi
- Prof. Dr. Hazim Abd Mohammed ALJEWAREE**
Alkitab University
- Prof. Dr. Hulusi DOĞAN**
Muğla Sıtkı Koçman Üniversitesi
- Prof. Dr. Gülçin YAHYA KAÇAR**
Ankara Hacı Bayram Veli Üniversitesi
- Prof. Dr. Hülya ÇİÇEK**
Gaziantep Üniversitesi
- Prof. Dr. Mukadder MOLLAOĞLU**
Cumhuriyet Üniversitesi
- Prof. Dr. Mustafa Fedai ÇAVUŞ**
Osmaniye Korkut Ata Üniversitesi
- Prof. Dr. Mustafa METE**
Gaziantep Üniversitesi
- Prof. Dr. Orhan ZEYBEK**
Balıkesir Üniversitesi
- Prof. Dr. Süleyman UYAR**
Alanya Alaaddin Keykubat Üniversitesi
- Prof. Dr. Seyfi ÖZGÜZEL**
Çukurova Üniversitesi
- Prof. Dr. Sevi ÖZ**
Ankara Hacı Bayram Veli Üniversitesi
- Prof. Dr. Songül ÇAKMAKÇI**
Atatürk Üniversitesi
- Doç. Dr. Abdulkerim DİLER**
Atatürk Üniversitesi
- Doç. Dr. Ahmet AKKÖSE**
Atatürk Üniversitesi
- Doç. Dr. Akın KIRBAŞ**
Yozgat Bozok Üniversitesi
- Doç. Dr. Aylin YALÇIN SARIBEY**
Üsküdar Üniversitesi
- Doç. Dr. Ayşegül TÜRK**
Ankara Hacı Bayram Veli Üniversitesi
- Doç. Dr. Ayşen ALTUN ADA**
Kütahya Dumlupınar Üniversitesi
- Doç. Dr. Azimbaeva GULBAYRA**
Kazakh National Women's Pedagogical University
- Doç. Dr. Bahadır KILCAN**
Gazi Üniversitesi
- Doç. Dr. Betül GÜZELDİR**
Atatürk Üniversitesi



Doç. Dr. Ebubekir DİRİCAN
Bilecik Şeyh Edebali Üniversitesi
Doç. Dr. Fuat AKDENİZLİ
Dokuz Eylül Üniversitesi
Doç. Dr. Fariz AHMADOV
Azərbaycan Devlet İktisat Üniversitesi
Doç. Dr. Faruk KALAY
Yüzüncü Yıl Üniversitesi
Doç. Dr. Gökçe CEREV
Kocaeli Üniversitesi
Doç. Dr. Güçlü ŞEKERCİOĞLU
Akdeniz Üniversitesi
Doç. Dr. Kader DAĞCI KIRANŞAN
Atatürk Üniversitesi
Doç. Dr. Neslihan ŞAHİN
Sivas Cumhuriyet Üniversitesi
Doç. Dr. Oqtay QULİYEV
Azərbaycan Devlet İktisat Üniversitesi
Doç. Dr. Ömer Faruk RENÇBER
Gaziantep Üniversitesi
Doç. Dr. Reyhan DADAŞOVA
Azərbaycan Devlet Pedagoji Üniversitesi
Doç. Dr. Salman Bashir MEMON
Shah Abdul Latif University
Doç. Dr. Yasin SÖĞÜT
Giresun Üniversitesi
Dr. Ali Arshad
University Utara
Dr. Ajay B. GADICHA
Sant Gadge Baba Amravati University
Dr. Aqil MEMMEDOV
Azərbaycan Devlet İktisat Üniversitesi
Dr. Elşen MEMMEDLİ
Azərbaycan Devlet İktisat Üniversitesi
Dr. Gülnar MİRZEYEVA
Azərbaycan Devlet İktisat Üniversitesi
Dr. Hamdi DAĞISTANLI
MEV
Dr. Joanna HERNİK
West Pomeranian University of Technology
Dr. Meryem PİR
Kocaeli Üniversitesi
Dr. Murat KIRANŞAN
Gümüşhane Üniversitesi
Dr. Nurhoca AKBULAYEV
Azərbaycan Devlet İktisat Üniversitesi
Dr. Suat ÖZER
MEB
Dr. Sultan SARI
Türkiye Vakıflar Bankası TAO



Dr. Ő. Seluk SEILMIŐ
Gaziantep niversitesi
Dr. Yksel DEMİREL
BaŐkent niversitesi



ISARC

8. INTERNATIONAL PALANDÖKEN

SCIENTIFIC STUDIES

CONGRESS

09-10 MARCH 2024

ERZURUM

CONGRESS PROGRAM

Join Zoom Meeting:

Meeting ID: **895 2844 4811**

Passcode: **653079**

[Join Zoom Meeting](#)

<https://us02web.zoom.us/j/89528444811?pwd=SXpmc2lkZXRpN2lhMzR5NGdPNkM1Zz09>

PARTICIPATING COUNTRIES

Azerbaijan/ Algeria/ China/Hungary/France/Indonesia/ India/ Iran/Malaysia/
Morocco/ Nigeria/Pakistan/Russia/ Spain/ Skopje/ Vietnam

TOTAL NUMBER OF INTERNATIONAL PAPER: 54

PAPER FROM TURKEY: 49

TOTAL PAPER: 103

zoom



Önemli, Dikkatle Okuyunuz Lütfen

- ❖ Kongremizde Yazım Kurallarına uygun gönderilmiş ve bilim kurulundan geçen bildiriler için online (video konferans sistemi üzerinden) sunum imkanı sağlanmıştır.
- ❖ Online sunum yapabilmek için <https://zoom.us/join> sitesi üzerinden giriş yaparak “Meeting ID or Personal Link Name” yerine ID numarasını girerek oturuma katılabilirsiniz.
- ❖ Zoom uygulaması ücretsizdir ve hesap oluşturmaya gerek yoktur.
- ❖ Zoom uygulaması kaydolmadan kullanılabilir.
- ❖ Uygulama tablet, telefon ve PC’lerde çalışıyor.
- ❖ Her oturumdaki sunucular, sunum saatinden 5 dk öncesinde oturuma bağlanmış olmaları gerekmektedir.
- ❖ Tüm kongre katılımcıları canlı bağlanarak tüm oturumları dinleyebilir.
- ❖ Moderatör – oturumdaki sunum ve bilimsel tartışma (soru-cevap) kısmından sorumludur.

Dikkat Edilmesi Gerekenler- TEKNİK BİLGİLER

- ◆ Bilgisayarınızda mikrofon olduğuna ve çalıştığına emin olun.
- ◆ Zoom'da ekran paylaşma özelliğine kullanabilmelisiniz.
- ◆ Katılım belgeleri kongre sonunda tarafınıza pdf olarak gönderilecektir
- ◆ Kongre programında yer ve saat değişikliği gibi talepler dikkate alınmayacaktır

IMPORTANT, PLEASE READ CAREFULLY

- ❖ To be able to attend a meeting online, login via <https://zoom.us/join> site, enter ID “Meeting ID or Personal Link Name” and solidify the session.
- ❖ The Zoom application is free and no need to create an account.
- ❖ The Zoom application can be used without registration.
- ❖ The application works on tablets, phones and PCs.
- ❖ The participant must be connected to the session 5 minutes before the presentation time.
- ❖ All congress participants can connect live and listen to all sessions.
- ❖ Moderator is responsible for the presentation and scientific discussion (question-answer) section of the session.

Points to Take into Consideration - TECHNICAL INFORMATION

- ◆ Make sure your computer has a microphone and is working.
- ◆ You should be able to use screen sharing feature in Zoom.
- ◆ Attendance certificates will be sent to you as pdf at the end of the congress.
- ◆ Requests such as change of place and time will not be taken into consideration in the congress program.

ÖNEMLİ NOT: SUNUMLARINIZI HEM TÜRKÇE HEM İNGİLİZCE HAZIRLAMANIZI RİCA EDERİZ



09.03.2024
SATURDAY / 10:00-12:30

SESSION-1 HALL -1
MODERATOR: Prof. Dr. Deniz DEMİRCİ

Azerbaijan/ Algeria/ China/Hungary/France/Indonesia/ India/ Iran/Malaysia/ Morocco/ Nigeria/Pakistan/Russia/ Spain/ Skopje/
Vietnam

AUTHORS	AFFILIATION	TOPIC TITLE
Serap APAY Sibel TEKGÜNDÜZ	Atatürk University, Erzurum/ Health Sciences University, Erzurum	Infertility And Awareness Based Practices
Serap APAY Sibel TEKGÜNDÜZ	Atatürk University, Erzurum/ Health Sciences University, Erzurum	Respectful Maternal Care
Merve KIYICI Prof. Dr. Deniz DEMİRCİ	Üsküdar University	Comparison Of Foot Plantar Pressure And Ground Contact Time During Walking In Hemiplegic Individuals With And Without Orthosis
Mehmet KAYA Assist. Prof. Dr. Derya YANIK Assist. Prof. Dr. Çiçek EDİZ	Batman University Hakkari University	Violence Against Nurses In Emergency Departments: Affecting Factors And Problems Caused
Assist. Prof. Dr. Ahmed Hamza ALPAY	Bayburt University	A Sociological Analysis On The Phenomenon Of Migration
Tolga MERAL Mustafa GÜNAY	Bursa Uludağ University Karabük University	Design Of Tpm's Structured Biomedical Implant And Manufacturing With Slm
Mustafa GÜNAY Mehmet Erdi KORKMAZ	Karabük University	Recent Developments In Additive Manufacturing Of Metallic Biomedical Applications
Science Specialist Lect. Assist Derya ATALAY Prof. Dr. Arzu ÖZYÜREK	Iğdır University Karabük University	Comparison of Married and Single Individuals' Coping with Earthquake Stress and Psychological Well-Being
Prof. Dr. Arzu ÖZYÜREK Science Specialist Lect. Assist Derya ATALAY	Karabük University Iğdır University	Child Development Students' Attitudes Towards Creative Drama Course

09.03.2024
SATURDAY / 10:00-12:30

SESSION-1 HALL -2
MODERATOR: Prof. Dr. İlkey ŞAHİN

Azerbaijan/ Algeria/ China/Hungary/France/Indonesia/ India/ Iran/Malaysia/ Morocco/ Nigeria/Pakistan/Russia/ Spain/ Skopje/
Vietnam

AUTHORS	AFFILIATION	TOPIC TITLE
Ayşe EMİNOĞLU Resc. Asst. Sebahat KUŞLU	Gaziantep Islamic Science and Technology University	Nursing Education And AugmentReality
Resc. Asst. Sebahat KUŞLU Ayşe EMİNOĞLU	Gaziantep Islamic Science and Technology University	Cultural Competence And Cultural Humility
Assist. Prof. Dr. Didem ŞAHİN CEYLAN Lect. Elifnur TAŞDEMİR ER Resc. Asst. Busemnaz AVŞAR	Uskudar University	Comparison Of Multiple Intelligences Of Students From The Faculty Of Health Sciences And The Faculty Of Communication
Dr. Erhan ŞENSOY	Karamanoğlu Mehmetbey University	Kanser Tedavisinde Grafen'in Kullanım Alanları
Dr. Erhan ŞENSOY	Karamanoğlu Mehmetbey University	Skutoid: Epitel Hücrelerin Geometrisi
Fatma Süheyla EKİCİ Prof. Dr. İlkey ŞAHİN	Erciyes University	Geleneksel Ve Tamamlayıcı Alternatif Tıp Hizmetleri: Kayseri Örneği
Zekiye Beyza ÇOBAN Prof. Dr. İlkey ŞAHİN	Erciyes University	Rebuilding Lives: Exploring The Sociological Dimensions Of The 6 February Earthquake Disaster
Assist. Prof. Dr. Nurdan YILDIRIM	Mersin University	Evaluating The Accuracy And Quality Of Artificial Intelligence Language Models For Providing Information On Behçet's Disease



09.03.2024
SATURDAY / 10:30-13:00

SESSION-2 HALL-3
MODERATOR: Dr. Rıdvan YAKUT

Azerbaijan/ Algeria/ China/Hungary/France/Indonesia/ India/ Iran/Malaysia/ Morocco/ Nigeria/Pakistan/Russia/ Spain/ Skopje/
Vietnam

AUTHORS	AFFILIATION	TOPIC TITLE
Burak Yiğitcan BAŞTUĞ Ahmet KARAARSLAN	Ankara Yıldırım Beyazıt University	The Comparison Of Pwm And Pfm Control Methods On Llc Resonant Isolated Converter
Senem ALTUNBAŞ Ahmet KARAARSLAN	Ankara Yıldırım Beyazıt University	Two-Mode Active Balancing Circuit Based On Switched-Capacitor And Three-Resonant-State Lc Units For Series-Connected Cell Strings
Hüseyin URAL Ahmet KARAARSLAN	Ankara Yıldırım Beyazıt University	A GaN-FET based Bi-directional Non-inverting Buck- Boost Converter
Dr. Rıdvan YAKUT	Kafkas University	Determination of thermal performance of PV/T evaporator by numerical analysis and RSM optimization
Kağan ALTUNBAŞ Ahmet KARAARSLAN	Ankara Yıldırım Beyazıt University	Analysis And Design Of A Nonisolated Bidirectional Dc–Dc Converter Based On Clc Network & Pid Control
Aydan YILMAZ DİZMAN Ayşe ELMACI İsmail AYHAN	Uludağ University Manisa Celal Bayar University	Marmara Island Transportation Pier Project Impacts And Ecosystem Assesment
Necati ÇAKIR Ahmet KARAARSLAN	Ankara Yıldırım Beyazıt University	Design Of Dual Active Bridge Converter Based On Pid Control Method



09.03.2024
SATURDAY / 10:30-13:00

SESSION-2 HALL-4
MODERATOR: Assoc. Prof. Dr. H. Pinar KAYA

Azerbaijan/ Algeria/ China/Hungary/France/Indonesia/ India/ Iran/Malaysia/ Morocco/ Nigeria/Pakistan/Russia/ Spain/
Skopje/ Vietnam

AUTHORS	AFFILIATION	TOPIC TITLE
Assoc. Prof. Dr. H. Pinar KAYA	Kırşehir Ahi Evran University	Turkish Sustainability Reporting Standards (Tsrs) And The Transition Process To Mandatory Sustainability Reporting
Büşra KAYGISIZ Sude Zeliha HAVAN Ahmet KARAARSLAN	Ankara Yıldırım Beyazıt University	Energy Harvesting Using Photovoltaic Panels In Aviation Systems
Gazi Ünal BEKEN Beyza ÖZKÖK	Yıldız Technical University	Comparison Of Financial Performance With Multiple Criteria Decision Making Approach
İlker CANDAN Sinan ÇETİN	Kırıkkale University Tokat GOP University	The Effect Of Robotic Coding On Algorithmic Thinking Skills



09.03.2024
SATURDAY / 10:30-13:00

SESSION-2 HALL-5
MODERATOR: Assoc. Prof. Dr. Hakan BOZDOĞAN

Azerbaijan/ Algeria/ China/Hungary/France/Indonesia/ India/ Iran/Malaysia/ Morocco/ Nigeria/Pakistan/Russia/ Spain/ Skopje/
Vietnam

AUTHORS	AFFILIATION	TOPIC TITLE
Resc. Asst. Mehmet ATAY Doktorant Murat KARACA	Adiyaman University Hatay Mustafa Kemal University	Effects Of Plant Nutrient Elements On Plant Diseases
Doktorant Murat KARACA Resc. Asst. Mehmet ATAY	Hatay Mustafa Kemal University Adiyaman University	Fungal Disease Agents On Citrus Fruits In The Postharvest
Assoc. Prof. Dr. Hakan BOZDOĞAN	Kırşehir Ahi Evran University	Expectations of farmers from organic farming in the near future in the Eastern Mediterranean Region, Turkey
Assoc. Prof. Dr. Hakan BOZDOĞAN	Kırşehir Ahi Evran University	Biotic and abiotic factors that farmers see as threats to biodiversity in the Eastern Mediterranean Region, Turkey
Assoc. Prof. Dr. Hakan BOZDOĞAN	Kırşehir Ahi Evran University	Factors Threatening Kahramanmaraş Natural Areas (Near term 2020-2023)
Dr. Fatma Sezer ÖZTÜRK Sevil ERGÜL	Inonu University	Determination Of The Color And Physicochemical Properties, Total Phenolic Content And Antioxidant Capacity Of Waste Corn Husks Dried By Different Methods
Tuğba HANEDAN	Hatay Mustafa Kemal University	The Effects Of Mycoridza Application On Plant Growth And Yield In Citrus Cultivation
Tuğba HANEDAN Aysun UYSAL Şener KURT	Hatay Mustafa Kemal University	Rapid Diagnosis Technique For Identification Of Microorganisms; Matrix Asisted Laser Desorption Ionization-Time Of Flight Mass Spectrometry (Maldi-Tof Ms)

09.03.2024
SATURDAY / 10:30-13:00

SESSION-2 HALL-6
MODERATOR: Prof. Dr. Semra GÜMÜŞOVA

Azerbaijan/ Algeria/ China/Hungary/France/Indonesia/ India/ Iran/Malaysia/ Morocco/ Nigeria/Pakistan/Russia/ Spain/ Skopje/
Vietnam

AUTHORS	AFFILIATION	TOPIC TITLE
Dr. Ebubekir İZOL Assist. Prof. Dr. Münire TURHAN	Bingöl University	Antioxidant Potential Of Honey With Recent In-Vitro Studies
Assist. Prof. Dr. Münire TURHAN Dr. Ebubekir İZOL	Bingöl University	Vegetable Oils And Bioactive Components Used In Nosema Disease
Özkan ÖZÜPAK Prof. Dr. Semra GÜMÜŞOVA	Terme İlçe Tarım ve Orman Müdürlüğü Terme/SAMSUN Ondokuz Mayıs University	Investigation Of Enzootic Bovine Leukosis (Ebl) Antibodies In Buffalo, Cattle, Sheep And Goat Serum Samples
Merve Nur KAPTAN	Tekirdağ Namık Kemal University	A Representation In Music From Traditional To Modern: Song Form
Muhammet Metehan SULAN Asst. Prof. Dr. Ender ŞEN	Bursa Technical University	Examination Of Old And New Spatial Constructions Of Erzurum Traditional Houses In The Context Of Visibility
Assist. Prof. Dr. İbrahim Akan ÖZDEMİR	Gaziantep University	Withdrawal And Exclusion Of A Partner In Limited Partnerships Within The Framework Of Current Supreme Court Decisions



09.03.2024
SATURDAY / 11:30-14:00

SESSION-3 HALL -7
MODERATOR: Prof. Dr. Ali KARA

Azerbaijan/ Algeria/ China/Hungary/France/Indonesia/ India/ Iran/Malaysia/ Morocco/ Nigeria/Pakistan/Russia/ Spain/ Skopje/
Vietnam

AUTHORS	AFFILIATION	TOPIC TITLE
Esra YALÇINER Petek BALCI Prof. Dr. Ali KARA	Bursa Uludag University	Investigation Of The Effect Of Chromium On pH In Aqueous Solutions By Adsorption Method
Esra YALÇINER Petek BALCI Prof. Dr. Ali KARA	Bursa Uludag University	Investigation Of The Effect Of Copper On pH In Aqueous Solutions By Adsorption Method
Vedat AZRAK Özlem ÖTER	Dokuz Eylül University	Enhanced CO ₂ Sensing Along With Chitosan, ZnO/GO and Polymethyl Methacrilate Composites
Elif TEMUR Hülya ÖZTÜRK DOĞAN	Atatürk University	Ethanol Electrooxidation On Pd Nanoparticle Decorated Polydopamine Electrode
Emre VURAL	Amasya University	The Imagination Of A Warrior In The Sky: Mirrih In Divan Literature
Assist. Prof. Dr. Turgay AKDAĞOĞLU	Ardahan University	Gelenekselden Popüler Kültüre: Türk Müziğinde İcracılık Örneği
Assist.Prof. Dr. Ayça ARSLAN	Usak University	The Interpretation Of Archtectonic Elements As An Architectural Design Process: Architectural Approach Of Turgut Cansever

09.03.2024
SATURDAY / 11:30-14:00

SESSION-3 HALL -8
MODERATOR: Dr LARICHE Nesrine

Azerbaijan/ Algeria/ China/Hungary/France/Indonesia/ India/ Iran/Malaysia/ Morocco/ Nigeria/Pakistan/Russia/ Spain/ Skopje/
Vietnam

AUTHORS	AFFILIATION	TOPIC TITLE
Batoul Essalimi, Siham Esserti, Lalla Aicha Rifai, Tayeb Koussa, Kacem Makroum, Malika Belfaiza, Saida Rifai, Jean St'ephane Venisse, Lydia Faize, Nuria Alburquerque, Lorenzo Burgos, Siham El Jadoumi, Mohamed Faize	Ecologie et Valorisation des Ecosystemes, Faculté des Sciences, Université Chouaib Doukkali, El Jadida, Morocco / University Blaise Pascal, Aubierre, France / CEBAS-CSIC Fruit Biotechnology Group, Murcia, Spain	The use of PGPR bacteria in the biocontrol of Verticillium dahliae in tomato
Orucov Vidadi Ömər oğlu professor Rzayeva Günay Abas qızı	Lənkəran Dövlət Universiteti, Azərbaycan	Şagird Perspektivlərinin Monitorinqinin Pedaqoji Prosesdə Əhəmiyyəti
GUERBOUB Lynda, SOUFI Ouahiba, OULDSAADI Linda	Faculté des Sciences de la Nature et de la Vie, Université de Bejaia, Algeria	Exploring Bioactive Compounds In Olive Pomace: Implications For Human Health
KANTAOUI Aicha, Pr. BOUDRIES Hafid, Dr LARICHE Nesrine	Faculty of Natural and Life Sciences, University of Bejaia, Algeria Faculty of Natural and Life Sciences, University of jijel, Algeria	Optimization Of The Extraction Of Bioactive Compounds From Plum By-Products
Usman Haider, Wafa Majeed, Bilal Aslam, Muhammad Naem Faisal	Pharmacology Faculty of Veterinary Science University of Agriculture Faisalabad, Pakistan Institute of Physiology University of Agriculture Faisalabad, Pakistan	Comparative evaluation of Gut toxicity induced by lincomycin and tetracycline in broiler chicks
Vardhana Janakiraman, Bhuvaneswari. S, N.K. Udaya Prakash	Technology and Advanced Studies, Pallavaram, Chennai-Tamilnadu, India Bharathi Women's College, Broadway, Chennai-600008, Tamilnadu, India	Preliminary Investigation Of Airborne Microbes In Kodaikanal- A Place Of Tourist Importance



09.03.2024
SATURDAY / 11:30-14:00

SESSION-3 HALL-9
MODERATOR: Elahe Ezati

Azerbaijan/ Algeria/ China/Hungary/France/Indonesia/ India/ Iran/Malaysia/ Morocco/ Nigeria/Pakistan/Russia/ Spain/ Skopje/
Vietnam

AUTHORS	AFFILIATION	TOPIC TITLE
Azzouzi Widad , Gantare abdellah	Higher Institute of Health Sciences, Hassan First University of Settat, Settat, Morocco	Reflecting on soft skills development sessions: Utilizing reflective journaling to enhance nursing students' soft skills
Behzad Valizadeh Mehdi Mozafari Khadije Ezzati- Rastegar Sevda Mozafari Elahe Ezati	Department of Public Health, School of Health, asad abad University of Medical Sciences, ASAD ABAD, Iran.	Experiences of oxygen hookah users in Women Iran: a phenomenological study
Zhiyuan Fan, Linghan Zhou, Meng Li, Dongyang Wang*	The Third People's Hospital of Henan Province, Zhengzhou, China	Impact of Continuous Health Network Management on Hypertension and Dyslipidemia in ACS Patients
U. Elaiyaranan*, G.V. Hariharan, C. Jayabalan, J. Paulmar Pushparaj	Easwari Engineering College, Chennai, India Sri Sairam Institute of Technology, Chennai, India AMET University, Kanathur, India Easwari Engineering College, Chennai, India	Evaluation of Mechanical and Microstructure properties of WC/Cu powder composite
Shuhua Yang, Hang Yang, Meng Li, Dongyang Wang*	The Third People's Hospital of Henan Province, Zhengzhou, China	Investigation of ICU Nurses' Knowledge, Attitude, and Practice Regarding Intra-Abdominal Pressure Measurement and Training Needs



09.03.2024
SATURDAY / 11:30-14:00

SESSION-3 HALL-10
MODERATOR: Muhammad Armghan Khalid

Azerbaijan/ Algeria/ China/Hungary/France/Indonesia/ India/ Iran/Malaysia/ Morocco/ Nigeria/Pakistan/Russia/ Spain/ Skopje/
Vietnam

AUTHORS	AFFILIATION	TOPIC TITLE
S.SHOWBHARNIKHAA*, M.K VIJAYALAKSHMI	BHARATH INSTITUTE OF HIGHER EDUCATION AND RESEARCH TAMBARAM CHENNAI	Precision Medicine In Drug Delivery
Muhammad Armghan Khalid *, Bushra Niaz, Farhan Saeed, Hafiz Muhammad Junaid Saqib	Government College University Faisalabad, Pakistan	Utilization Of Barley Cereal As A Value Added Food Product: A Potential Strategy For Improved Nutrition And Sustainability
Shivani Yadav*, D.K. Chauhan*, Ruhi Tomar*, Priya*, Priyanka Dayma*	Department of Zoology, Chaudhary Charan Singh University, Meerut	Plant mediated based biosynthesis and characterization of Copper Oxide nanosized particles from Murraya koenigii and their biomedical application in albino rat
Tunjung Pamekas, Usman Kris Joko Suharjo, dan Sempurna Ginting	University of Bengkulu Jl. WR Supratman, Kandang Limun, Bengkulu, Indonesia	Correlation Of Passive Structural Resistance To Blast Disease Severity In 10 Swamp Rice Strains
Ilnura Ibragimovna Fayzullina, Ilya Nikolayevich Medvedev	Russian Biotechnological University, Moscow, Russia	Hematological Characteristics Of First-Calf Cows
Ilya Nikolayevich Medvedev, Ilnura Ibragimovna Fayzullina,	Russian Biotechnological University, Moscow, Russia	Physiological Features Of Blood Parameters Of Steer Cows Of The Black-And-Brown Breed
Benmeziane Farida*, Larrous Dalila, Djermoune- Arkoub Lynda, Cherifi Achref	Faculty of Sciences of Nature and Life. Chadli Bendjedid University of El-Tarf. BP 73. El Tarf 36000, Algeria Biophysics, Biochemistry and Scientometry, Faculty of Sciences of Nature and Life, Bejaia University, Bejaia (06000), Algeria	Phytochemical Screening and Pigment Composition of Algerian Cladode Flour from Opuntia ficus-indica



09.03.2024

SATURDAY / 11:30-14:00

SESSION-3 HALL-11

MODERATOR: Prof.dr.Yeganə Cavadova

Azerbaijan/ Algeria/ China/Hungary/France/Indonesia/ India/ Iran/Malaysia/ Morocco/ Nigeria/Pakistan/Russia/ Spain/ Skopje/ Vietnam

AUTHORS	AFFILIATION	TOPIC TITLE
Fətəliyeva Səbinə Prof.dr.Yeganə Cavadova	Magistrant, Lənkəran Dövlət Univeristeteti, Azərbaycan	İngilis Dilində Səbəb Bağlayıcıların İşlənmə Yeri
Hüseynova Jalə Arif qızı Prof. Dr. Cavadova Yeganə	Lənkəran Dövlət Universiteti, Azərbaycan	Xarici dildə oxumaq metodologiyası
Cəfərov Sahil Nizam oğlu Xatirə Etibar qızı	Lənkəran Dövlət Universiteti, Azərbaycan	Planlaşdırmanın Həyata Keçirilmə Aspektləri
Əliyev Afiq Hüseynzadə Sevin	Lənkəran Dövlət Universiteti, Azərbaycan	Qiymətləndirmə strategiyalarına verilən tələblər
Dosent Sahil Cəfərov Rəhiməxanım Bədəlova	Lənkəran Dövlət Universiteti, Azərbaycan	Şagirdlərin aqressivliyi və onu törədən amillərin islah yolları
Şəmməlli Nazənin Höccət	Lənkəran Dövlət Universiteti,magistr, Azərbaycan	Atropatena mədəniyyətinin tədrisində əyanilik prinsipi
Əliyeva Cəmilə Ələmdar qızı	Lənkəran Dövlət Universiteti,magistr, Azərbaycan	Azərbaycançılıq ideologiyasının əsasları və tədrisi metodikası
Milena Apostolovska -Stepanoska, Prof. Hristina Runcheva Tasev	Ss.Cyril and Methodius University in Skopje	The Use Of The Principle Of Subsidiarity In The Eu
Sonia Mairos Ferreira, Kimanzi Muthengi	UNICEF Lesotho Country Office	Gender Equality, Equity, and Inclusivity in Lesotho: Pathways to Achieving Sustainable Development Goals
Sofie Sabrina Oktaviani, Ana Kadarningsih	Dian Nuswantoro University	Debt Repayment Ability As A Driver Of Increasing Company Profits

09.03.2024
SATURDAY / 12:30-15:00

SESSION-4 HALL-1
MODERATOR: Assoc. Prof. Dr. Rozina Khattak

Azerbaijan/ Algeria/ China/Hungary/France/Indonesia/ India/ Iran/Malaysia/ Morocco/ Nigeria/Pakistan/Russia/ Spain/ Skopje/
Vietnam

AUTHORS	AFFILIATION	TOPIC TITLE
Miribrahim Cabbarov	Lənkəran Dövlət Universiteti, Azerbaycan	AXC Tarixinin Tədrisi Metodikası
Vüsalə Əliyeva	Lənkəran Dövlət Universiteti, Azerbaycan	İdiomların kontekstdən təxmin edilməsi yolu ilə tədrisi
Nasirzade Nurana	Lankaran State University, Azerbaycan	Orta məktəbdə Ağqoyunlu dövlətinin tədrisi sxem və cədvəllərdə
DR. RASHEEDUL HAQUE, DR. ABDUL RAHMAN BIN S SENATHIRAJAH, NOORLIZA BINTI MD NOORDIN, KHARMEYNI A/P JUMBULINGAM, Ayma Fatima, Ana Fatima	MAHSA University, Malaysia, INTI International University, Malaysia, Integral University, Lucknow, India, Aligarh Muslim University, India	A Multi-Faceted Approach To Understanding Factors Influencing Technology Use In Education
Assoc. Prof. Dr. Rozina Khattak	Shaheed Benazir Bhutto Women University, Peshawar Pakistan	Adsorption Kinetics of Removing Diamond Green B from Wastewater using Recycled Fruit Shells
Saeid Bashirian, Elahe Ezati*	Hamedan University of Medical Sciences, Hamedan, Iran. Asadabad School of Medical Sciences, Asadabad, Iran.	Effectiveness of E-learning program in preventing Waterpipe smoking in adolescent females in western Iran by application of the prototype-willingness model: A randomized controlled trial
ABIMBOWO, Yusuff Olatunji	-	School Committee System: A Tool Towards School Effectiveness In Oyo State
Engr. Junaid Khan, Engr. R. A. Rahman, Dr. Shahid Mehmood, Engr Rehman Khan	University of Engineering and Technology, Taxila, Pakistan	Effect of Chromium (Cr) on Phase Transformation Behavior of Fe-20Mn-6Si Shape Memory Alloy
Chidheka D, Dr. Priya J	Accountancy Department of Professional Studies CHRIST (Deemed to be University), India	Greening the Future: Early Education and Sustainable Living in the Era of Climate Change
Salah Ud Din	Kohat University of Science & Technology Kohat-Khyber Pakhtunkhwa, Pakistan	Extension Of V-Analogue Gamma Function With Properties

09.03.2024
SATURDAY / 12:30-15:00

SESSION-4 HALL-2
MODERATOR: Moses Adeolu AGOI

Azerbaijan/ Algeria/ China/Hungary/France/Indonesia/ India/ Iran/Malaysia/ Morocco/ Nigeria/Pakistan/Russia/ Spain/ Skopje/
Vietnam

AUTHORS	AFFILIATION	TOPIC TITLE
Lətafət Beybutova Ələsgər qızı	Quba şəhərində “Soyqırım Memorial Kompleksi” Elmi araşdırmalar, ekspozisiya və fond şöbəsinin müdiri, Azərbaycan	Azərbaycanın Xilasi-Qafqaz İslam Ordusu The Freedom Of Azerbaijan – Caucasian Islamic Army
Salma En-naji* Safaa Mabroum Khalid Khatib Mostafa Benzaazoua Rachid Hakkou	Faculty of Science and Technology, Cadi Ayyad University, Morocco Centre AgroBiotech, URL- CNRST 05, Faculty of Science and Technology, Cadi Ayyad University, Morocco Sustainable Mining Institute (GSMI), Mohammed VI Polytechnic University, Morocco	Acid Activation Of Phosphate By-Products In Geopolymerization Technology
Maen Alwahsh	University of Miskolc, Hungary	An Evaluation of Geopolymer Composites Utilizing Waste Glass as an Eco-Friendly Binding Material
Könül Sadıqova	Bakı, Azərbaycan	Nizami'nin Eserlerinde Hükümdar İmgesi
SEKKAT Yassir, Fitri Asmae, Touimi Benjelloun Adil, El Khattabi, Souad, Benzakour Mohammed, Mcharfi Mohammed	University Sidi Mohamed Ben Abdallah, Fez Morocco	A Theoretical Study On The Role Of The π -Spacer Of Organic Dyes Of The D- π -A Type Based On Phenothiazine For Dye-Sensitized Solar Cell Applications
Moses Adeolu AGOI Benjamin Johnson OLASIJU Solomon Abraham UKPANA Olasunkanmi Julius OLATUNDE Oluwanifemi Opeyemi AGOI	Lagos State University of Education, Lagos Nigeria. Obafemi Awolowo University, Osun Nigeria.	The Efficacy And Application Of Face Recognition System: Implication For Social Protection And Economic Security
Dr Madan Lal Regar	National Institute of Fashion Technology Jodhpur, India.	Sustainability In Fashion



09.03.2024

SATURDAY / 12:30-15:00

SESSION-4 HALL-3

MODERATOR: MUHAMMAD FAISAL

Azerbaijan/ Algeria/ China/Hungary/France/Indonesia/ India/ Iran/Malaysia/ Morocco/ Nigeria/Pakistan/Russia/ Spain/ Skopje/ Vietnam

AUTHORS	AFFILIATION	TOPIC TITLE
Huynh Thi Truc Linh Nguyen Huy Hoang	Tra Vinh University, Vietnam	Grounds For Divorce From The Perspective Of Practice Of Vietnamese Courts
Huynh Thi Truc Linh Nguyen Huy Hoang	Tra Vinh University, Vietnam	Restriction Of Divorce Under Vietnamese Law
ALQUMA NOOR MUHAMMAD FAISAL	ILMA University, Karachi, Pakistan Allama Iqbal Open University, Pakistan	Rudimentary Principal Of Marketing Why Pakistani Market Not Been Unwavering According To Worldwide Principal Of Marketing System
MUHAMMAD FAISAL Reema Shaheen MUNIR AHMAD	Allama Iqbal Open University, Pakistan Faculty of Computer Science and Information Technology, Universiti Malaysia Sarawak National University of Science and Technology, Islamabad, Pakistan.	Ai Software Architecture Is The Blueprint Of An Ai System Is Built, Organized, And Connected By Python
Winarsih, Khoirul Fuad	Universitas Islam Sultan Agung, Indonesia	Factors that influence Tax Avoidance
Winarsih, Naila Najihah	Universitas Islam Sultan Agung, Indonesia	Effect of Minimum Investment Capital and Investment Return on Investment Interest
MUHAMMAD FAISAL	Faculty of Computer Science and Information Technology, Universiti Malaysia	A Framework For Analyzing Big Data's Impact On Supply Chain Operations In Volatile Markets
Bhakti Kshatriya , Rutuja Pawase, Harshal Mane, Prathmesh Mandlik,	Amrutvahini college of engineering, sangamner, India	ANPR-OCR text message alert system for high-speed vehicles
Usman Musa Kankara*, Rabiu Nasiru, Nuraddeen Nasiru Garba *, Abdullahi Muhammad Vatsa	Department of Physics, Ahmadu Bello University, Zaria, Nigeria.	Radiochemical Characterization Of Vegetables Dried Along Major Highways In Northern Nigeria

Zoom Toplantı - Oda 1

6 kişi bekleme odasına girdi Görüntüle x

Deniz demirci ISARC Yasemin AĞAOĞLU H1-Ahmed Hamza Alpay Merve KIVICI

DERVA ATALAY Serap Apay Hall-1 Derya Yanık Tolga

Mehmet KAYA Mehmet Kaya Mustafa Günay Aydan YILMAZ...

Mehmet KAYA Mehmet Kaya Mustafa Günay Aydan YILMAZ DIZMAN

H1-S1-Arzu Özy... 17 atanmamış katılımcı

H1-S1-Arzu Özyürek-Karat

Sesi aç Videoyu Başlat Katılımcılar Sohbet Ekranı paylaş Kaydet Alt Yazıları Göster Ara Odalar Reaksiyonlar Uygulamalar Beyaz Tahtalar Odadan Çık

Ara 10:29 9.03.2024

SESSION:1, HALL:2 SEBAHAT KUŞLU... ekranını görüntülüyorsunuz Seçenekleri Görüntüle

Giriş yapın Görüntüle

GÖREV ÇUBUKUNU GÖSTER GÖRÜNTÜ AYARLARI SLAYT GÖSTERİSİNİ SONLANDIR

00:15 10:33 Sonraki slayt

Bu çok kültürlü yapıya dönüşme sonucunda da farklı kültürlerden bireylere hizmet veren meslek mensuplarında kültürel çatışma ve karmaşıklıklar oluşabileceği ve hasta memnuniyetinin azalacağı belirtilmektedir (Kuşlu & Koçak, 2023; Yeung et al., 2018). Bu mesleklerden biri de sağlık çalışanlarıdır. Bu nedenle kültürel yeterlilik ve kültürel tevazu kavramları sağlık bakım uygulamalarının başlıca temellerindedir (Sharifi et al., 2019).

Not Yok.

Elifnur TAŞDEMİR... ISARC Yasemin AĞAOĞLU

Elifnur TAŞDEMİR ER (Hall-2) SESSION:1, HALL:2 SEBAHAT KUŞLU

Session 1-Hall-2... SESSION:1, HALL:2 SEBAHAT KUŞLU

Session 1-Hall-2 Ayşe Eminoglu

ERHAN ŞENSOY Fatıma Süheyla...

ERHAN ŞENSOY Fatıma Süheyla Ekici

N Zekiye Beyza Çoban

3 atanmamış katılımcı

Sesi aç Videoyu Başlat Katılımcılar Sohbet Ekranı paylaş Kaydet Alt Yazıları Göster Ara Odalar Reaksiyonlar Uygulamalar Beyaz Tahtalar Odadan Çık

SESSION-2 HALL-3_yigit basug ekranini görüntüyorsunuz Seçenekleri Görüntüle Giriş yapın Görüntüle

3 atanmamış katılımcı

Sesi aç Videoyu Başlat Katılımcılar Sohbet Ekranı paylaş Kaydet Alt Yazıları Göster Ara Odalar Reaksiyonlar Uygulamalar Beyaz Tahtalar Odadan Çık

Increasing knowledge on Power electronics and better understand fundamentals of current topologies and control methods is an aim of this work.

Firstly, literature review was done to do that.

Secondly, topology and control methods were determined based on literature survey.

Then, simulations was done in Matlab/Simulink and Ltpisce programs to compare effects of control methods on circuit.

Finally, results were compared based on simulation results.

Rıdvan Yakut ISARC Yasemin AĞAOĞLU HALL-3 Senem... SESSION-2 HALL-3_yigit basug H Huseyin ural Kağan ALTUNB... Kağan ALTUNBAŞ session 2 Hall 3 Aydan YILMAZ... N Necati Çakır

Pınar Kaya ekranını görüntüyorsunuz Seçenekleri Görüntüle Giriş yapın Görüntüle

3 atanmamış katılımcı

Sesi aç Videoyu Başlat Katılımcılar Sohbet Ekranı paylaş Kaydet Alt Yazıları Göster Ara Odalar Reaksiyonlar Uygulamalar Beyaz Tahtalar Odadan Çık


SÜRDÜRÜLEBİLİRLİK RAPORU

Son yıllarda işletmeleri geçmiş tarihli finansal verilerden çok, ileriye yönelik risk ve belirsizlikler içeren finansal olmayan verilerin etkilediği görülmektedir. Salgın hastalıklar, deprem, sel, tsunami gibi doğal afetler, Rusya ve Ukrayna arasındaki savaş, ülkeler arasındaki aşırı rekabet, doğal kaynakların ve çevrenin bilinçsizce kullanılması gibi ulusal ve küresel ölçekte yaşanan birçok gelişme işletmelerin faaliyetlerini önemli ölçüde etkilemiştir. İşletmelerin finansal tablolarında yer almayan bu tür risk ve tehditler, bilgi kullanıcılarının finansal olmayan rapor türlerine olan ilgisinin artmasına sebep olmuştur.

Pınar Kaya ISARC Murat YAŞAR Hall-4 Büğra Kaygısız İlker Candan İlker Candan

Mehmet ATAY ekranını görüntülüyorsunuz Seçenekleri Görüntüle Giriş yapın Görüntüle

- *Gaeumannomyces graminis*'in (take-all) neden olduğu buğday ve arpada siyah kök çürüklüğü hastalığı (take-all), dünyanın birçok bölgesinde tahıl üretimini ciddi şekilde sınırlayabilen bir hastalıktır.
- Mangan eksikliğinin yanı sıra N, P, Cu eksikliğinde buğdayda Take-all şiddetinin arttığı, yeteri kadar N (özellikle NH₄⁺) ve P gübrelenmesiyle ise hastalık şiddetinin azaldığı saptanmıştır.



4 atanmamış katılımcı

Sesi aç Videoyu Başlat Katılımcılar Sohbet Ekranı paylaş Kaydet Alt Yazıları Göster Ara Odalar Reaksiyonlar Uygulamalar Beyaz Tahtalar Odadan Çık

Kayıt Ebubekir İZOL ekranını görüntülüyorsunuz Seçenekleri Görüntüle Giriş yapın Görüntüle

Özetli Kaydet Sunu... - bu bilgisayar konumuna kaydedildi... Ara Dr. Gör. Dr. Ebubekir İZOL Kaydet Teamde Sun Paylaş

Honey

- Honey is a miraculous food that has many biological activities mentioned throughout human history.
- Honey, which humanity has always shown great interest in, is seen as a source of healing for many diseases among the people.
- It is used both as a basic food and in the fields of **cosmetics**, **medicine** and **food**. It is one of the leading applications of **Apitherapy**, especially in alternative medicine.
- For this reason, it is constantly the subject of scientific studies.

4 atanmamış katılımcı

Sesi aç Videoyu Başlat Katılımcılar Sohbet Ekranı paylaş Kaydet Alt Yazıları Göster Ara Odalar Reaksiyonlar Uygulamalar Beyaz Tahtalar Odadan Çık

Esra YALÇINER ekranını görüntülüyorsunuz Seçenekleri Görüntüle Giriş yapın Görüntüle

Otomatik Kaydet BAŞKIR VE KROM SÜZÜ... Son Değiştirme Zamanı: 46 dakika önce

Doğu Ekle Çiz Tasarım Geçişler Animasyonlar Slayt Gösterisi Kaydet Gözetim Geçir Görünüm Yardım

Adсорpsiyon, yüksek verimliliği, kullanım kolaylığı, farklı adsorbentler ile uyumluluğu ve uygun maliyetli olması nedeniyle bu teknikler arasında pende tercih edilmektedir. Basit ve yüksek verimlilikle önemli avantajlara sahip olan adsorpsiyon Cr (VI)'nın atık sularından uzaklaştırılmasında en yaygın tekniklerden biri olmuştur. Aktif karbon, kil minerali, mikrobiyal biyokütle, metal oksitler ve polimerik adsorbentler Cr (VI) gibi ağır metallerin sulu çözeltilerini uzaklaştırılmasında adsorban olarak kullanılmaktadır. Bununla beraber, son birkaç yıl içerisinde ağır metallerin uzaklaştırılma uygulamalarında polimerik malzemeler ile adsorpsiyon yöntemi, yeni bir teknik olarak ortaya çıkmıştır.

Adsorption is generally preferred among these techniques due to its high efficiency, ease of use, compatibility with different adsorbents and cost-effectiveness. Adsorption has been one of the most widespread techniques for the removal of Cr (VI) from wastewater, having the important advantages of simplicity and high efficiency. Activated carbon, clay minerals, microbial biomass, metal oxides and polymeric adsorbents have been used as adsorbents for the removal of heavy metals such as Cr (VI) from aqueous solutions. However, in the last few years, adsorption with polymeric materials has emerged as a new technique in heavy metal removal applications.

Not eklemek için tıklayın

1 atanmamış katılımcı

Sesi aç Videoyu Başlat Katılımcılar Sohbet Ekranı paylaş Kaydet Alt Yazıları Göster Ara Odalar Reaksiyonlar Uygulamalar Beyaz Tahtalar Odadan Çık

Esra YALÇINER

ISARC Murat YAŞAR

AYÇA ARSLAN

Turgay AKDAĞOĞLU

Emre VURAL

V

Emre VURAL

Vedat Azrak

h

hülya öztürk

Lynda GUERBOUB ekranını görüntülüyorsunuz Seçenekleri Görüntüle Giriş yapın Görüntüle

Fichier Accueil Insertion Conception Transitions Animations Diagramme Révision Affichage Aide Rechercher des outils adaptés

YÉLECHARGER UNE VERSION AUTHENTIQUE D'OFFICE Votre licence n'est pas authentique et vous êtes peut-être victime d'une contrefaçon logicielle. Suivre toute information et protégeres aujourd'hui vos fichiers grâce à la version authentique d'Office. Obtenir une version authentique d'Office En savoir plus

Introduction

- The olive oil extraction process generates various waste streams, including wastewater, olive pomace, by-products from olive oil storage, and filter cakes resulting from the oil filtration process. In particular, olive pomace, constituting the solid remains of pressed olives, proves to be a valuable source of bioactive compounds.
- The extraction of olive oil yields significant quantities of olive pomace and liquid effluents, given that on average, only 21% of the olive's weight transforms into oil, with the remaining 79% comprising water, bark, pulp, and pit. The quantity and nature of the generated waste depend on the method employed for olive oil extraction.
- According to a recent study by Foti et al. (2022), every ton of processed olives produces approximately 0.5 to 0.6 tons of olive pomace. This abundance of by-products presents an exceptional opportunity to explore the unsuspected benefits of olive pomace for human health, while contributing to the sustainable management of waste in the olive oil industry.

2 atanmamış katılımcı

Sesi aç Videoyu Başlat Katılımcılar Sohbet Ekranı paylaş Kaydet Alt Yazıları Göster Ara Odalar Reaksiyonlar Uygulamalar Beyaz Tahtalar Odadan Çık

aicha kantaoui

ISARC Murat YAŞAR

Hall 8- s3 Vardh...

Moderator s-3 h...

Hall 8- s3 Vardhana Janakiraman

Moderator s-3 hall 8 Lariche Nesrine

Sevin Əliyeva

Lynda GUERBOUB

Sevin Əliyeva

Lynda GUERBOUB

KHOIRUL FUAD ekranını görüntüyorsunuz Seçenekleri Görüntüle Giriş yapın Görüntüle

SHOW TABAKLAR DISPLAY SETTINGS END SLIDE SHOW

001:57 5:16 PM Next slide

Introduction

The performance of tax revenues in a country can be measured one way by using the tax ratio. This tax ratio will have a positive impact on Indonesia's economy. In the last five years, the development of the tax ratio in Indonesia has fluctuated. It can be seen that the tax ratio in 2017 was 9.89%. In 2018, the tax ratio increased to 10.24%. However, in 2019 and 2020, it decreased to 9.77% and 8.33%. Meanwhile in 2021 it will increase to 9.11% even though the Indonesian government hopes that the tax ratio will always increase yearly. Taxpayers use several strategies, one of which is tax avoidance. Tax avoidance is tax planning carried out by utilizing loopholes in tax laws and regulations to cut or divert the tax owed while still complying with tax laws and regulations in Indonesia. There are many factors that influence tax avoidance, such as profitability, firm size, and leverage. The variety of previous research findings and the phenomena that occur are the reasons why this research is interesting to re-examine. So the research question is do profitability, firm size, and leverage affect tax avoidance?

Theoretical Background

Agency theory
Differences often between principals and agents can influence various matters relating to company performance, including company tax policy. The relationship between agency theory and tax avoidance is because most taxpayers, especially corporate taxpayers, consider paying taxes as a burden because financial resources that must be used for quality improvement or investment must be transferred from the business sector to the public sector, thereby reducing purchasing power. Based on agency theory, any highly uncertain environment will encourage managers to consider tax planning to manage taxes, namely through tax avoidance (Ariefiliana et al., 2019).


No Notes.

Slide 2 of 10

1 atanmamış katılımcı

Sesi aç Videoyu Başlat Katılımcılar Sohbet Ekranı paylaş Kaydet Alt Yazıları Göster Ara Odalar Reaksiyonlar Uygulamalar Beyaz Tahtalar Odadan Çık


Lisa Meng Li ekranını görüntüyorsunuz Seçenekleri Görüntüle Giriş yapın Görüntüle



Background

✓ When IAP of the body exceeds 12 mmHg for two consecutive measurements within 4 to 6 hours, it is considered as intra-abdominal hypertension (IAH). Literature reports suggest that the incidence of IAH in the intensive care unit (ICU) can reach 30% to 40%, and it is an independent risk factor for mortality in critically ill patients^[2].


以人为本 创新发展




Lisa Meng Li

Moderator: S-3, Hall-10 M. Arrighan...Hafiz M...

Hristina Runcheva s3 HALL 1.1



Benmeziane



Zhiyuan Fan

1 atanmamış katılımcı

Sesi aç Videoyu Başlat Katılımcılar Sohbet Ekranı paylaş Kaydet Alt Yazıları Göster Ara Odalar Reaksiyonlar Uygulamalar Beyaz Tahtalar Odadan Çık

	INDEX	
CONGRES ID		I-III
PROGRAM		IV-XXXIX
GALLERY		XL-L
INDEX		LI-XLVIII

AUTHORS	TITLE	NO
Serap APAY Sibel TEKGÜNDÜZ	Infertility And Awareness Based Practices	1-9
Serap APAY Sibel TEKGÜNDÜZ	Respectful Maternal Care	10-19
Merve KIYICI Prof. Dr. Deniz DEMİRCİ	Comparison Of Foot Plantar Pressure And Ground Contact Time During Walking In Hemiplegic Individuals With And Without Orthosis	20-21
Mehmet KAYA Assist. Prof. Dr. Derya YANIK Assist. Prof. Dr. Çiçek EDİZ	Violence Against Nurses In Emergency Departments: Affecting Factors And Problems Caused	22-28
Assist. Prof. Dr. Ahmed Hamza ALPAY	A Sociological Analysis On The Phenomenon Of Migration	29-35
Tolga MERAL Mustafa GÜNAY	Design Of TpmS Structured Biomedical Implant And Manufacturing With SIm	36-46
Mustafa GÜNAY Mehmet Erdi KORKMAZ	Recent Developments In Additive Manufacturing Of Metallic Biomedical Applications	47-59
Science Specialist Lect. Assist Derya ATALAY Prof. Dr. Arzu ÖZYÜREK	Comparison of Married and Single Individuals' Coping with Earthquake Stress and Psychological Well-Being	60-68
Prof. Dr. Arzu ÖZYÜREK Science Specialist Lect. Assist Derya ATALAY	Child Development Students' Attitudes Towards Creative Drama Course	69-77
Ayşe EMİNOĞLU Resc. Asst. Sebahat KUŞLU	Nursing Education And AugmentReality	78-87
Resc. Asst. Sebahat KUŞLU Ayşe EMİNOĞLU	Cultural Competence And Cultural Humility	88-94

AUTHORS	TITLE	NO
Assist. Prof. Dr. Didem ŞAHİN CEYLAN Lect. Elifnur TAŞDEMİR ER Resc. Asst. Busemnaz AVŞAR	Comparison Of Multiple Intelligences Of Students From The Faculty Of Health Sciences And The Faculty Of Communication	95-96
Dr. Erhan ŞENSOY	Kanser Tedavisinde Grafen'in Kullanım Alanları	97-103
Dr. Erhan ŞENSOY	Skutoid: Epitel Hücrelerin Geometrisi	104-110
Fatma Süheyla EKİCİ Prof. Dr. İlkey ŞAHİN	Geleneksel Ve Tamamlayıcı Alternatif Tıp Hizmetleri: Kayseri Örneği	111
Zekiye Beyza ÇOBAN Prof. Dr. İlkey ŞAHİN	Rebuilding Lives: Exploring The Sociological Dimensions Of The 6 February Earthquake Disaster	112-113
Assist. Prof. Dr. Nurdan YILDIRIM	Evaluating The Accuracy And Quality Of Artificial Intelligence Language Models For Providing Information On Behçet's Disease	114-115
Burak Yiğitcan BAŞTUĞ Ahmet KARAARSLAN	The Comparison Of Pwm And Pfm Control Methods On Llc Resonant Isolated Converter	116-130
Senem ALTUNBAŞ Ahmet KARAARSLAN	Two-Mode Active Balancing Circuit Based On Switched-Capacitor And Three-Resonant-State Lc Units For Series-Connected Cell Strings	131-141
Hüseyin URAL Ahmet KARAARSLAN	A GaN-FET based Bi-directional Non-inverting Buck-Boost Converter	142-154
Dr. Rıdvan YAKUT	Determination of thermal performance of PV/T evaporator by numerical analysis and RSM optimization	155-163
Kağan ALTUNBAŞ Ahmet KARAARSLAN	Analysis And Design Of A Nonisolated Bidirectional Dc–Dc Converter Based On Clc Network & Pid Control	164-182
Aydan YILMAZ DİZMAN Ayşe ELMACI İsmail AYHAN	Marmara Island Transportation Pier Project Impacts And Ecosystem Assesment	183-197
Necati ÇAKIR Ahmet KARAARSLAN	Design Of Dual Active Bridge Converter Based On Pid Control Method	198-211

AUTHORS	TITLE	NO
Assoc. Prof. Dr. H. Pınar KAYA	Turkish Sustainability Reporting Standards (Tsrs) And The Transition Process To Mandatory Sustainability Reporting	212-226
Büşra KAYGISIZ Sude Zeliha HAVAN Ahmet KARAARSLAN	Energy Harvesting Using Photovoltaic Panels In Aviation Systems	227-241
Gazi Ünal BEKEN Beyza ÖZKÖK	Comparison Of Financial Performance With Multiple Criteria Decision Making Approach	242-243
İlker CANDAN Sinan ÇETİN	The Effect Of Robotic Coding On Algorithmic Thinking Skills	244-245
Resc. Asst. Mehmet ATAY Doktorant Murat KARACA	Effects Of Plant Nutrient Elements On Plant Diseases	246-256
Doktorant Murat KARACA Resc. Asst. Mehmet ATAY	Fungal Disease Agents On Citrus Fruits In The Postharvest	257-267
Assoc. Prof. Dr. Hakan BOZDOĞAN	Expectations of farmers from organic farming in the near future in the Eastern Mediterranean Region, Turkey	268-270
Assoc. Prof. Dr. Hakan BOZDOĞAN	Biotic and abiotic factors that farmers see as threats to biodiversity in the Eastern Mediterranean Region, Turkey	271-272
Assoc. Prof. Dr. Hakan BOZDOĞAN	Factors Threatening Kahramanmaraş Natural Areas (Near term 2020-2023)	273-275
Dr. Fatma Sezer ÖZTÜRK Sevil ERGÜL	Determination Of The Color And Physicochemical Properties, Total Phenolic Content And Antioxidant Capacity Of Waste Corn Husks Dried By Different Methods	276-289
Tuğba HANEDAN	The Effects Of Mycoridza Application On Plant Growth And Yield In Citrus Cultivation	290-292
Tuğba HANEDAN Aysun UYSAL Şener KURT	Rapid Diagnosis Technique For Identification Of Microorganisms; Matrix Asisted Laser Desorption Ionization- Time Of Flight Mass Spectrometry (Maldi-Tof Ms)	293-303
Dr. Ebubekir İZOL Assist. Prof. Dr. Münire TURHAN	Antioxidant Potential Of Honey With Recent In-Vitro Studies	304-311
Assist. Prof. Dr. Münire TURHAN Dr. Ebubekir İZOL	Vegetable Oils And Bioactive Components Used In Nosema Disease	312-323
Özkan ÖZÜPAK Prof. Dr. Semra GÜMÜŞOVA	Investigation Of Enzootic Bovine Leukosis (Ebl) Antibodies In Buffalo, Cattle, Sheep And Goat Serum Samples	324-331
Merve Nur KAPTAN	A Representation In Music From Traditional To Modern: Song Form	332-344
Muhammet Metehan SULAN Asst. Prof. Dr. Ender ŞEN	Examination Of Old And New Spatial Constructions Of Erzurum Traditional Houses In The Context Of Visibility	345-369

AUTHORS	TITLE	NO
Assist. Prof. Dr. İbrahim Akan ÖZDEMİR	Withdrawal And Exclusion Of A Partner In Limited Partnerships Within The Framework Of Current Supreme Court Decisions	370-393
Esra YALÇINER Petek BALCI Prof. Dr. Ali KARA	Investigation Of The Effect Of Chromium On pH In Aqueous Solutions By Adsorption Method	394-404
Esra YALÇINER Petek BALCI Prof. Dr. Ali KARA	Investigation Of The Effect Of Copper On pH In Aqueous Solutions By Adsorption Method	405-415
Vedat AZRAK Özlem ÖTER	Enhanced CO ₂ Sensing Along With Chitosan, ZnO/GO and Polymethyl Methacrylate Composites	416-417
Elif TEMUR Hülya ÖZTÜRK DOĞAN	Ethanol Electrooxidation On Pd Nanoparticle Decorated Polydopamine Electrode	418-425
Emre VURAL	The Imagination Of A Warrior In The Sky: Mirrih In Divan Literature	426-442
Assist. Prof. Dr. Turgay AKDAĞOĞLU	Gelenekselden Popüler Kültüre: Türk Müziğinde İcracılık Örneği	443-444
Assist.Prof. Dr. Ayça ARSLAN	The Interpretation Of Architectonic Elements As An Architectural Design Process: Architectural Approach Of Turgut Cansever	445-447
Batoul Essalimi, Siham Esserti, Lalla Aicha Rifai, Tayeb Koussa, Kacem Makroum, Malika Belfaiza, Saida Rifai, Jean St'ephane Venisse, Lydia Faize, Nuria Alburquerque, Lorenzo Burgos, Siham El Jadoumi, Mohamed Faize	The use of PGPR bacteria in the biocontrol of Verticillium dahliae in tomato	448-455
Orucov Vidadi Ömər oğlu professor Rzayeva Günay Abas qızı	Şagird Perspektivlərinin Monitorinqinin Pedaqoji Prosesdə Əhəmiyyəti	456-457
GUERBOUB Lynda, SOUFI Ouahiba, OULDSAADI Linda	Exploring Bioactive Compounds In Olive Pomace: Implications For Human Health	458
KANTAOUI Aicha, Pr. BOUDRIES Hafid, Dr LARICHE Nesrine	Optimization Of The Extraction Of Bioactive Compounds From Plum By-Products	459
Usman Haider, Wafa Majeed, Bilal Aslam, Muhammad Naem Faisal	Comparative evaluation of Gut toxicity induced by lincomycin and tetracycline in broiler chicks	460-461
Vardhana Janakiraman, Bhuvanewari. S, N.K. Udaya Prakash	Preliminary Investigation Of Airborne Microbes In Kodaikanal- A Place Of Tourist Importance	462-469
Azzouzi Widad , Gantare abdellah	Reflecting on soft skills development sessions: Utilizing reflective journaling to enhance nursing students' soft skills	470
Behzad Valizadeh Mehdi Mozafari Khadije Ezzati- Rastegar Sevda Mozafari Elahe Ezati	Experiences of oxygen hookah users in Women Iran: a phenomenological study	471-472

AUTHORS	TITLE	NO
Zhiyuan Fan, Linghan Zhou, Meng Li, Dongyang Wang*	Impact of Continuous Health Network Management on Hypertension and Dyslipidemia in ACS Patients	473-474
U. Elaiyaranan*, G.V. Hariharan, C. Jayabalan, J. Paulmar Pushparaj	Evaluation of Mechanical and Microstructure properties of WC/Cu powder composite	475-477
Shuhua Yang, Hang Yang, Meng Li, Dongyang Wang*	Investigation of ICU Nurses' Knowledge, Attitude, and Practice Regarding Intra-Abdominal Pressure Measurement and Training Needs	478
S.SHOWBHARNIKHAA*, M.K VIJAYALAKSHMI	Precision Medicine In Drug Delivery	479-495
Muhammad Armghan Khalid *, Bushra Niaz, Farhan Saeed, Hafiz Muhammad Junaid Saqib	Utilization Of Barley Cereal As A Value Added Food Product: A Potential Strategy For Improved Nutrition And Sustainability	496
Shivani Yadav*, D.K. Chauhan*, Ruhi Tomar*, Priya*, Priyanka Dayma*	Plant mediated based biosynthesis and characterization of Copper Oxide nanosized particles from <i>Murraya koenigii</i> and their biomedical application in albino rat	497
Tunjung Pamekas, Usman Kris Joko Suharjo, dan Sempurna Ginting	Correlation Of Passive Structural Resistance To Blast Disease Severity In 10 Swamp Rice Strains	498
Ilnura Ibragimovna Fayzullina, Ilya Nikolayevich Medvedev	Hematological Characteristics Of First-Calf Cows	499-500
Ilya Nikolayevich Medvedev, Ilnura Ibragimovna Fayzullina,	Physiological Features Of Blood Parameters Of Steer Cows Of The Black-And-Brown Breed	501-502
Benmeziane Farida*, Larrous Dalila, Djermoune- Arkoub Lynda, Cherifi Achref	Phytochemical Screening and Pigment Composition of Algerian Cladode Flour from <i>Opuntia ficus-indica</i>	503
Fətəliyeva Səbinə Prof.dr.Yeganə Cavadova	İngilis Dilində Səbəb Bağlayıcıların İşlənmə Yeri	504-505
Hüseynova Jalə Arif qızı Prof. Dr. Cavadova Yeganə	Xarici dildə oxumaq metodologiyası	506-507
Cəfərov Sahil Nizam oğlu Xatirə Etibar qızı	Planlaşdırmanın Həyata Keçirilmə Aspektləri	508-509
Əliyev Afiq Hüseynzadə Sevin	Qiymətləndirmə strategiyalarına verilən tələblər	510-5011
Dosent Sahil Cəfərov Rəhiməxanım Bədəlova	Şagirdlərin aqressivliyi və onu törədən amillərin islah yolları	512-514
Şəmmədli Nəzənin Höccət	Atropatena mədəniyyətinin tədrisində əyanilik prinsipi	515
Əliyeva Cəmilə Ələmdar qızı	Azərbaycançılıq ideologiyasının əsasları və tədrisi metodikası	516-517
Milena Apostolovska -Stepanoska, Prof. Hristina Runcheva Tasev	The Use Of The Principle Of Subsidiarity In The Eu	518-524

AUTHORS	TITLE	NO
Sonia Mairos Ferreira, Kimanzi Muthengi	Gender Equality, Equity, and Inclusivity in Lesotho: Pathways to Achieving Sustainable Development Goals	525-539
Sofie Sabrina Oktaviani, Ana Kadarningsih	Debt Repayment Ability As A Driver Of Increasing Company Profits	540-551
Miribrahim Cabbarov	AXC Tarixinin Tədrisi Metodikas	552-553
Vüsalə Əliyeva	İdiomların kontekstdən təxmin edilməsi yolu ilə tədrisi	554-556
Nasirzade Nurana	Orta məktəbdə Ağqoyunlu dövlətinin tədrisi sxem və cədvəllərdə	557
DR. RASHEEDUL HAQUE, DR. ABDUL RAHMAN BIN S SENATHIRAJAH, NOORLIZA BINTI MD NOORDIN, KHARMEYNI A/P JUMBULINGAM, Ayma Fatima, Ana Fatima	A Multi-Faceted Approach To Understanding Factors Influencing Technology Use In Education	558-560
Assoc. Prof. Dr. Rozina Khattak	Adsorption Kinetics of Removing Diamond Green B from Wastewater using Recycled Fruit Shells	561
Saeid Bashirian, Elahe Ezati*	Effectiveness of E-learning program in preventing Waterpipe smoking in adolescent females in western Iran by application of the prototype-willingness model: A randomized controlled trial	562-563
ABIMBOWO, Yusuff Olatunji	School Committee System: A Tool Towards School Effectiveness In Oyo State	564-577
Engr. Junaid Khan, Engr. R. A. Rahman, Dr. Shahid Mehmood, Engr Rehman Khan	Effect of Chromium (Cr) on Phase Transformation Behavior of Fe-20Mn-6Si Shape Memory Alloy	578
Chidheka D, Dr. Priya J	Greening the Future: Early Education and Sustainable Living in the Era of Climate Change	579
Salah Ud Din	Extension Of V-Analogue Gamma Function With Properties	580-581
Lətafət Beybutova Ələsgər qızı	Azərbaycanın Xilasi-Qafqaz İslam Ordusu The Freedom Of Azerbaijan – Caucasian Islamic Army	582-585
Salma En-naji* Safaa Mabroum Khalid Khatib Mostafa Benzaazoua Rachid Hakkou	Acid Activation Of Phosphate By-Products In Geopolymerization Technology	586-587
Maen Alwahsh	An Evaluation of Geopolymer Composites Utilizing Waste Glass as an Eco-Friendly Binding Material	588
Könül Sadıqova	Nizami'nin Eserlerinde Hükümdar İmgesi	589-590
SEKKAT Yassir, Fitri Asmae, Touimi Benjelloun Adil, El Khattabi, Souad, Benzakour Mohammed, Mcharfi Mohammed	A Theoretical Stdy On The Role Of The π -Spacer Of Organic Dyes Of The D- π -A Type Based On Phenothiazine For Dye-Sensitized Solar Cell Applications	591
Moses Adeolu AGOI Benjamin Johnson OLASIJU	The Efficacy And Application Of Face Recognition System: Implication For Social Protection And Economic Security	592

Solomon Abraham UKPANA Olasunkanmi Julius OLATUNDE Oluwanifemi Opeyemi AGOI		
Dr Madan Lal Regar	Sustainability In Fashion	593-594
Huynh Thi Truc Linh Nguyen Huy Hoang	Grounds For Divorce From The Perspective Of Practice Of Vietnamese Courts	595-605

AUTHORS	TITLE	NO
Huynh Thi Truc Linh Nguyen Huy Hoang	Restriction Of Divorce Under Vietnamese Law	606-612
ALQUMA NOOR MUHAMMAD FAISAL	Rudimentary Principal Of Marketing Why Pakistani Market Not Been Unwavering According To Worldwide Principal Of Marketing System	613-614
MUHAMMAD FAISAL Reema Shaheen MUNIR AHMAD	Ai Software Architecture Is The Blueprint Of An Ai System Is Built, Organized, And Connected By Python	616-616
Winarsih, Khoirul Fuad	Factors that influence Tax Avoidance	617-626
Winarsih, Naila Najihah	Effect of Minimum Investment Capital and Investment Return on Investment Interest	627-635
MUHAMMAD FAISAL	A Framework For Analyzing Big Data's Impact On Supply Chain Operations In Volatile Markets	636-637
Bhakti Kshatriya , Rutuja Pawase, Harshal Mane, Prathmesh Mandlik,	ANPR-OCR text message alert system for high-speed vehicles	638
Usman Musa Kankara*, Rabiu Nasiru, Nuraddeen Nasiru Garba *, Abdullahi Muhammad Vatsa	Radiochemical Characterization Of Vegetables Dried Along Major Highways In Northern Nigeria	639-646

INFERTILITY AND AWARENESS BASED PRACTICES**Serap APAY**

Atatürk University, Faculty of Health Science, Department of Midwifery, Erzurum

ORCID ID: 0000-0003-0978-1993**Sibel TEKGÜNDÜZ**

Health Sciences University, Faculty of Medicine, Department of Obstetrics and Gynecology, Erzurum

ORCID ID: 0000-0002-8146-643X**ABSTRACT**

Infertility, a reproductive system disease defined by the absence of pregnancy after 12 months or more of regular unprotected sexual intercourse, has affected 186 million people worldwide. Treatment with assisted reproductive technologies developed in response to infertility cases in the last 50 years has been successfully applied all over the world. However, in addition to physiological treatment, psychological treatment is a parameter that should be considered in infertility cases and directly affects the success of treatment. Anger, anxiety and depression that occur with feelings of shame, guilt and deficiency in individuals struggling with infertility can cause serious harm to individuals by negatively affecting their social relationships and private lives. Mindfulness-based interventions are a common type of cognitive behavioral therapy based on mind-body practices. Mindfulness is defined as focusing on the reality of the present moment, accepting and accepting the situation, regardless of thoughts about the situation or emotional reactions to the situation. Studies conducted with infertile individuals show that mindfulness-based practices have a positive effect on reducing stress levels and increasing quality of life, resulting in improvements in treatment success. In this study, it is aimed to explain the effect of mindfulness-based practices on infertility.

Keywords: Infertility, Awareness; Mindfulness-Based Meditation; Awareness-Based Intervention. Health Worker

INTRODUCTION

The World Health Organization (WHO) defines infertility as “a reproductive system disease defined by the absence of pregnancy after 12 months or more of regular unprotected sexual intercourse”. It is stated that 48 million couples and 186 million people worldwide struggle with infertility (1-5).

Infertility, rapid progress in reproductive medicine has contributed to the development of new technologies for the care and treatment of infertile couples worldwide (6). Assisted reproductive technology (ART-ART), which includes a wide variety of treatments and approaches, is a common and successful treatment method applied in many countries (7,8).

These; intrauterine insemination (IUI), In Vitro Fertilization and Embryo Transfer (IVF-ET), Intra-Cytoplasmic Sperm Injection (ICSI) or Microinjection, Gamete intra Fallopian Transfer (GIFT), Zygote intra Fallopian Transfer (ZIFT) (9).

Infertility is often a silent struggle. Despite the prevalence of infertility, the vast majority of infertile women do not share this condition with their families or friends. For this reason, the psychology of infertile individuals is negatively affected by this situation. Naturally, infertility can cause feelings of shame, guilt, and low self-esteem. These negative emotions can negatively affect quality of life by causing varying degrees of depression and anxiety. Women trying to conceive state that they cope with situations such as depression, anxiety, social isolation and loss of control during this process. Therefore, patients struggling with infertility and undergoing assisted reproductive therapy (ART/ART) are at a significant risk of experiencing psychiatric disorders. It is very important to help these patients psychologically while struggling with infertility (10).

Mind-body practices based on awareness have started to attract attention in the scientific world in the last thirty years. (11-13). Mindfulness-based interventions are a common type of cognitive behavioral therapy. Mindfulness is a form of meditation rooted in eastern religious rituals, particularly Buddhism (8,14). Awareness is defined as focusing on the reality of the present moment, accepting and accepting the situation, regardless of thoughts about the situation or emotional reactions to the situation (8,15).

infertile individuals show that mindfulness-based practices have a positive effect on reducing the stress level and increasing the quality of life, resulting in improvements in treatment success (8,16 19), it is aimed to draw attention to the effect of mindfulness-based practices on infertility .

Awareness-Based Practices

In a clinical setting, most mindfulness-based interventions were first introduced in 1979 at the University of Massachusetts Medical School by Jon. It emerged in the Mindfulness-Based Stress Reduction course developed by Kabat-Zinn and colleagues (13,20).

Mindfulness-based practices-based interventions are an intervention often used to reduce stress in outpatients with chronic pain. Since then, many derivatives such as mindfulness-based practices and mindfulness-based cognitive therapy have been used in a therapeutic context in a large number of cases and situations (13).

Mindfulness-based practices consist of an 8-week program, primarily meditation, typically consisting of 2.5 to 3.5 hour sessions per week in a class of 10 to 20 participants.

During classroom sessions, participants learn techniques to practice Mindfulness meditation through instruction and meditation sessions. In addition, participants are expected to do approximately 45 minutes of daily homework, which always includes the practice of Mindfulness meditation (13, 21).

Mindfulness-based practices provide a change in the person's relationship with thoughts and emotions related to the factor that causes stress, rather than changing and eliminating stress itself as a coping skill (22). Mindfulness meditation (mindfulness) Behavioral scientists who have discovered the therapeutic power of meditation (MM) have integrated it with traditional psychotherapy and numerous mindfulness-based interventions (MBI) (22). The first of these was designed as the 'Awareness-Based Stress Reduction Program', which emphasizes being aware of the emotions, sensations and feelings in the body and then regulating these feelings and thoughts (23).

As another practice based on mindfulness-based meditation, an 8-week module of mindfulness-based cognitive therapy (MBCT) has been developed to reduce the recurrence and recurrence of depression (24).

Other modules developed on the basis of mindfulness-based meditation are stated as "acceptance and commitment therapy, mindfulness-based relationship building, and comprehensive mind and body interventions" (22).

Awareness -Based Practices in Combating Infertility

Unlike other medical conditions, infertility creates a "low control state" in patients (22). Individuals diagnosed with infertility are faced with many unknowns and problems such as infertility diagnosis stress, identity crisis due to infertility, having to deal with treatment, the possibility of treatment failure, the crisis created by alternative childbearing methods such as donor programs or adoption, and the risk of possible complications that may occur due to treatment. It is stated that these individuals experience a psychological crisis because they have to deal with it (24,25).

At this point, it is necessary not to ignore the psychological state of individuals when treating infertility. Studies show that mindfulness-based practices are effective in combating infertility (26-30). These practices provide conscious intervention and compassionate acceptance instead of fears and behavioral avoidance associated with fertility stimuli in infertile individuals (27-30).

The first step in mindfulness-based practices is to understand "the nature of one's desire to have a son and the suffering associated with not fulfilling that desire."

The basic philosophy here is to develop an insight into the process of emotional distress experienced in infertility . Distress usually begins with the diagnosis of infertility . Couples resort to various treatment methods to resolve this, but sometimes the treatment fails despite all their efforts . Therefore, these couples begin to be exposed to frequent cycles of repetitive or persistent thoughts, sadness, anxiety, fear, or avoidance. So their minds can't have a " normal emotional response to infertility ." Desiring to overcome childlessness, infertile couples often distance themselves from their usual activities, jobs, and interpersonal ties. For this reason, disruptions in daily life activities and marital relations are inevitable (22).

Over time, this can result in clinical depression and anxiety . Thus, both the success of the treatment and the mental health of the person are in danger. At this point, "reperceiving" and "re-evaluation" studies will help to differentiate from conditions such as depression and anxiety that negatively affect mental health. Reperceiving enhances a person's capacity for self-regulation and self-management. Mindfulness-based practices involve training the mind on purposeful "intention", "attention" and "awareness", and these are essential components of mindfulness-based practices (22).

The mechanism of change created by mindfulness-based therapy is twofold. First, mindfulness training provides stabilization in cognitive capacities, overactive autonomic arousal, and emotional regulation. Thus, it helps to get rid of the negative thought cycle due to infertility . Second, mindfulness practice includes disease-specific coping with infertility stressors (31). For example, the Self, consciousness, transforms the perception of reality and creates a shift from the perspectives of “self as content (e.g., I am sterile)” to “self as context (e.g., I am a person having problems conceiving)” (32).

Domar et al. (1990), in the study of 54 infertile couples, the training application named " Mind and Body Program for Infertility", which is a mixture of mindfulness-based meditation and cognitive behavioral therapy program, was applied by a trained psychologist in 2 hour sessions and 10 sessions for 10 weeks . While some of the couples in the study group were treated with IUI or GIFT, some of them did not receive any assisted reproductive technique treatment (33).

In the program; Introduction to stress physiology, relaxation and the relationship between stress and the reproductive system, diaphragmatic breathing and mini relaxation exercises, lifestyle change, cognitive restructuring and affirmations , developing self-empathy and compassion, mindfulness practices and attitudes, coping with emotions, anger and forgiveness. is located (33).

As a result of the study, Depression/Sadness 49%, Tension/Anxiety 44%, Anger/Anxiety 38%, State and Trait Anxiety 8%. It was reported that the rate of conception increased by 34% after six months of follow-up of the study group . In the study, it was stated that the ' Mind and Body Program for Infertility ' could be used as a behavioral treatment to reduce infertility- related stress and for couples with infertility before or together with reproductive technologies such as intrauterine insemination and gamete intrafallopian transfer (33).

In another study conducted by Sherratt and Lunn (2013) , mindfulness-based cognitive therapy module (MBCT) was administered to 13 infertile women by a trained Psychologist for 8 sessions in 2 hour sessions. In addition, audio-visual materials were presented to the participants in home practices (34).

In the first part of the program, body scan, an exercise in which participants focus their attention on different parts of the body in turn; mindful movement, in which participants work through a series of directed gentle exercises by focusing their attention on their experience, and sitting meditations, in which participants are directed to focus on their breathing before expanding their attention to the sounds and their wider experience in the room. In this way, it is aimed to create awareness of the present and apply it in their daily lives again and again (34).

The second part of the study focused on exposure to difficult fertility situations, pain, negative emotions, or other unpleasant sensations. The goal is to develop the ability to face negative situations and explore and express them with clarity, labeling, and curiosity. At the end of the program, the participants were also told how to make mindfulness exercises a part of their normal routine in the future .

At the end of this study, it was reported that women experienced a 39% reduction in perceived problems and a 92% increase in well-being. It has been stated that mindfulness-based cognitive therapy can be a useful treatment for women with fertility problems (34).

Psaros et al. (2015) carried out with 51 infertile women, mindfulness-based practices (MBI) were applied by a trained nurse for a total of 10 sessions with 2-hour sessions (29).

The program included providing daily Relaxation, providing adaptive cognitive coping (eg, optimism and acceptance) using a variety of modalities (including breathing focus, concentrating, imagery, contemplation, yoga, and mindful awareness), and an assessment of health promotion behaviors (eg . It was a multidimensional program that included pre-pregnancy nutrition, exercise, and individualized recommendations for restful sleep (29).

Weekend sessions included partner engagement to develop a shared experience of mind-body skills including meditation, partner yoga, walking, humor, social support (for individual and couple). Relaxation-based skills were applied to women 5 times a week for an average of 15 minutes a day as homework (29).

All participants were observed for 12 months. At the end of this period, there was an increase of 17% in perceived social and marital support, 7% in optimism, a decrease of 43% in depression and 28% in perceived stress due to infertility. It was reported that 12 months after the application, 51% of the participants remained and 23% had a live birth (29).

Galhardo et al. by (2018) primary In the study conducted with 91 women diagnosed with infertility, all participants in the intervention group (n=55) and control group (n=37) who received mindfulness-based practice were receiving infertility treatment. (28).

The Awareness-Based Infertility Program (MBPI) applied to the participants aims to ensure the acceptance of infertility by opening oneself to all experiences in a transparent and non-judgmental way through the process of being in touch with the present moment. (28).

The program consisted of practices prepared for patients to be in the present moment, eating meditation, body scanning meditation, three-minute breathing space, sound and thought meditation, inviting a challenge, being in the moment. (28).

Another important skill learned during MBPI is cognitive dissociation or cognitive decentralization. Recognizing that our minds tend to create stories about our lives, it's important to help people realize that their stories are just a story and not our truth. (28).

It was stated that the women in the experimental group experienced an increase in their self-efficacy levels and a decrease in the state of depression. It was stated that this program could be effective in reducing depression and increasing self-efficacy in women struggling with infertility. When designing mindfulness-based psychological intervention programs, it has been pointed out that it is important to specifically address the ability of women struggling with infertility to face this situation and the way they perceive the difficulties of medical treatment (28).

Discussion and Conclusion

Infertility treatment with Assisted Reproductive Techniques is described as a scientific miracle that started in the 1970s. In the last 50 years, with the increasing popularity of this treatment, most countries are concerned about every stage of treatment. It is known that a number of evidence-based committee reports have been prepared for the "Addressing of Psychosocial Needs".

It is stated that mindfulness-based practices lead to a significant improvement in psychological parameters. It has been reported that these practices improve the anxiety, depression, stress, anger and well-being of infertile women. These benefits are primarily explained by the development of skills that allow for an increase in attentional capacity, turning off the "false fear alarm response," and coping, insight, and coping with disturbing thoughts and feelings. These trainings, which include mindfulness-based intervention practices, reduce emotional reactivity and dysphoria, allowing more transitions between first-person and third-person perspectives. It also strengthens the mind's awareness of staying in the moment, helping the person to accept the situation in a gentle way without trying to manipulate it. (22).

All these mechanisms contribute to the self-efficacy of women struggling with infertility . Thus, during the treatment period, women's affairs are good or bad. It has been shown that they respond to themselves and others in a more gentle, compassionate, understanding and accepting manner, regardless of Thus, it has been reported that their mood, social support and marital relations are positively affected (18).

That emotional stress can cause tubal spasm, anovulation, abnormal gamete transport, progesterational deficiencies, and hyperprolactinemia , potentially leading to luteinized unbroken follicle syndrome. It is reported that mindfulness-based practices provide a significant improvement in biological parameters. Studies indicate that there is a positive relationship between relaxation and relaxation and fertility. (22,33, 35).

that Mindfulness-Based Practices are effective in a wider range of psychological problems such as interpersonal, existential, marital and socio -occupational difficulties, unlike cognitive behavioral therapy (22-24, 26,30, 32,33). On the other hand, it is stated that it helps women to get rid of infertility stress by increasing the cognitive decentralization from negative thoughts and emotions in addition to the development of coping, compassion and acceptance skills (36). In the light of all these results, it can be said that Awareness-Based Practices contribute to improving mental health and increasing the rate of conception in infertility .

REFERENCES:

- World Health Organization (WHO). International Classification of Diseases , 11th Revision (ICD-11) Geneva : WHO 2018. available from : <https://icd.who.int/en> . Accessed on: 04.February.2023.
- Mascarenhas MN, Flaxman SR, Boerma T, et al. National , regional , and global trends in infertility prevalence since 1990: a systematic analysis of 277 health surveys . PLoS Med 2012;9(12):e1001356. doi : 10.1371/ journal.pmed .1001356 .
- Boivin J, Bunting L, Collins JA, et al. International estimates of infertility prevalence and treatment-seeking : potential need and demand for infertility medical care . Human reproduction (Oxford, England) 2007;22(6):1506-12. doi : 10.1093/ humrep /dem046 [published Online First: 2007/03/23]

- Rutstein SO, Shah IH. *infect infertility and childlessness in developing countries* . Geneva : World Health Organization 2004.
- World Health Organization (WHO). *Infertility* , 2020. Available from : <https://www.who.int/news-room/fact-sheets/detail/infertility#:~:text=Infertility%20is%20a%20disease%20of,on%20their%20families%20and%20communities> . Accessed on: 04.February.2023.
- Aleixandre-Benavent R, Simon C, Fauser BC. Trends in clinical reproductive medicine research : 10 years of growth . *Fertile Sterile*. 2015; 104(1): 131-137. e5.
- Okhovati M, Zare M, Zare F, Bazrafshan MS, Bazrafshan A. Trends in global assisted reproductive technologies research : a sciento metrics study _ *electron Physician* _ 2015; 7(8): 1597-1601.
- Kalhari F, Masoumi SZ, Shamsaei F, Mohammadi Y, Yavangi M. Effect of mindfulness-based group counseling on depression infertile _ women : clinical trial study _ *Int J Fertile Sterile*. 2020; 14(1): 10-16. doi : 10.22074/ijfs.2020.5785.
- Saydam, BK. (2019). *Gynecological Patient Care with Cases*. Ankara: Nobel.
- Rooney KL Domar AD *The relationship between stress and infertility* _ *Dialogues Clin neurosci* . 2018; 20:41-46.
- Cavanagh K, Strauss C, Forder L, Jones F. Can mindfulness and accept be learned by self- help ? A systematic review and meta- analysis of mindfulness and acceptance-based self- help interventions . *clin . psycho _ Rev* 2014; 34(2):118–29.
- Spijkerman MPJ, Pots WTM, Bohlmeijer ET. Effectiveness of online mindfulness-based interventions in improving mental health : a review and meta- analysis of randomised controlled trials . *clin . psycho _ Rev* . _ 2016; 45:102–14.
- WielgoszJ . Goldberg SB Kral TRA et al. mindfulness meditation and Psychopathology . *Annu rev. Clin psycho _* 2019 (15): 285–316. doi:10.1146/annurev-clinpsy-021815-093423.
- Öst LG. Efficacy of the third wave of behavioral theories : a systematic review and meta- analysis . *Behav res ther* . 2008; 46(3): 296-321.
- Bishop SR. What do we really know about mindfulness-based stress reduction ? *psychosom med* . 2002; 64(1):71-83.
- Choobforoushzade A, Kalantari M, Moulavi H. The effect of cognitive behavioral stress management therapy on quality of life infertile women . *Iranian Journal of Obstetrics , Gynecology and infertility* . 2011; 14(1): 14-21.
- Jing L, Hong L, Ling L. Mindfulness and fertility quality of life in Chinese women with infertility _ _ the mediating roles of acceptance _ _ and selfregulation . *Journal of Reproductive & Infant psychology* . 2019;37(5):455-467.
- Fard TR, Kalantarkousheh M, Faramarzi M. Effect of mindfulness-based cognitive infertility stress therapy on psychological well-being of women with infertility _ *Middle East Fertility society Journal* . 2018; 23:476–481.
- Li J, Long L, Liu Y, He W, Li M. Effects of a mindfulness-based intervention on fertility quality of life and pregnancy rates among women subjected to first in vitro fertilization treatment . *Behav res therapy* . 2016; 77:96-104.
- Kabat-Zinn J. some reflections on the origins of MBSR, skillful means , and the trouble with maps . *contemp . buddhism* _ 2011;12(1):281–306.
- Parsons CE, Crane C, Parsons LJ, Fjorback LO, Kuyken W. Home practice in mindfulness-based cognitive therapy and mindfulness-based stress reduction : a systematic review and meta- analysis of participants ' mindfulness practice and its association with ends . *behav . Res . ther* . 2017; 95:29–41.
- Patel A, Sharma PS, Kumar P. Application of mindfulness-based psychological interventions in infertility . *J Hum Reprod Sci* 2020; 13:3-21.
- Kabat -Zinn J. Mindfulness -based stress reduction (MBSR). *Constr HumSci* . _ 2003; 8:73 .
- Segal ZV, Williams M, Teasdale J. *Mindfulness -Based cognitive Therapy for Depression* _ New York : Guilford Publications; 2018.
- Bayer SR, Alper MM. *Boston IVF Handbook of Infertility : A Practical Guide for practitioners Who Resort for infertile couples* . London : CRC Press ; 2007.
- Sherratt KA, Lunn S. Evaluation of a group program of mindfulness -based cognitive therapy for women with fertility problems . *J Obstet Gynaecol* 2013; 33:499 -501.

- Galhardo A, Cunha M, Pinto -Gouveia J. Mindfulness -based program for infertility _ _ study _ Fertile Sterile 2013; 100:1059 -67.
- Galhardo A, Moura -Ramos M, Cunha M, Pinto -Gouveia J. How does the mindfulness -based program for infertility (MBPI) work in reducing depressive symptoms ? Mindfulness 2018; 9:629 -35.
- Psaros C, Kagan L, Shifren JL, Willett J, Jacquart J, Alert MD, et al. Mind – Body group treatment for women coping with infertility : A pilot study . J Psychosom obstetrics gynecol . 2015; 36:75 -83.
- Nery SF, Paiva SPC, Vieira ÉL, Barbosa AB, Sant'Anna EM, Casalechi M, et al. Mindfulness -based program for stress reduction in infertile women : Randomized controlled trial . stress Health 2019; 35:49 -58.
- Alsubaie M, Abbott R, Dunn B, Dickens C, Keil TF, Henley W, et al. Mechanisms of action in Mindfulness -Based cognitive Therapy (MBCT) and mindfulness -based stress reduction (MBSR) in people with physical and / or psychological conditions : A systematic review . Clin Psychol Rev. _ 2017; 55:74 -91.
- Peterson BD, Eifert GH. using acceptance and commitment therapy to treat infertility stress . Cogn Behav prac _ 2011; 18:577 -87.
- Domar AD, Seibel MM, Benson H. The mind /body program for infertility : A new behavioral treatment approach for women with infertility _ Fertile Sterile 1990; 53:246 -9.
- Sherratt KA, Lunn S. Evaluation of a group program of mindfulness -based cognitive therapy for women with fertility problems . J Obstet Gynaecol 2013; 33:499 -501.
- O'Moore MA, Harrison RF. Anxiety and reproductive fail : Experience from a Dublin fertility clinic . Irish J Psychol . 1991; 12:276 -85.
- Patel A, Dinesh N, Sharma PS, Kumar P, Binu VS. Outcomes of structured psychotherapy for emotional adjustment in a childless couple diagnosed with recurrent pregnancy loss : A unique investigation _ J Hum Reprod Sci 2018; 11:202 -7.

RESPECTFUL MATERNAL CARE

Serap APAY

Atatürk University, Faculty of Health Science, Department of Midwifery, Erzurum

ORCID ID: 0000-0003-0978-1993

Sibel TEKGÜNDÜZ

Health Sciences University, Faculty of Medicine, Department of Obstetrics and Gynecology, Erzurum

ORCID ID: 0000-0002-8146-643X

ABSTRACT

The WHO maternity and newborn health care quality framework considers dignified and respectful care as one of the essential components to improve perinatal health results. Respectful maternity and newborn care is an approach which focuses on the individual and human rights. It frames aspects related to ethics, rights and interpersonal relationships, including the respect for women and newborn fundamental human rights, such as autonomy, dignity, decision-making and preferences.

The WHO/PAHO promote the concept of pregnancy and childbirth as positive experiences, updating clinical guidelines for prenatal care and childbirth management and proposing, based on the available evidence, a holistic health care model focused on women and based on universal human rights, which promotes dignified and respectful maternity and newborn care as an essential element of health care quality.

Improving health care quality based on the best available evidence is a never-ending endeavor. Within this quality framework, at a global level, the importance and promotion of the adoption of perinatal health care models focused on women and their babies is acknowledged. Effective communication and emotional support are essential elements of quality maternity and newborn care.

Keywords: Maternal Care, Respectful, Health Worker

INTRODUCTION

Over the past several decades, women worldwide have been encouraged to give birth in healthcare facilities to ensure timely access to skilled care and referral when additional care needs arise. Although the proportion of women giving birth in health facilities worldwide has increased, the expected reductions in maternal- newborn mortality and morbidity have not been fully met. Preventable mother- newborn High rates of mortality and morbidity are often due to poor quality of care. Increasing evidence shows that disrespectful and undignified care is common in many settings (Bohren , Tunçalp , & Miller, 2020). Respectful Maternity Care is defined as care organized and provided in a way that protects the dignity, privacy and confidentiality of all women, prevents women from being mistreated and harmed, encourages them to make informed choices during birth, and provides continuous support (WHO, 2018;

White Ribbon) . Alliance , 2019; Bohren , Tunçalp and Miller, 2020). In its recommendations on intrapartum care for a positive birth experience , WHO emphasizes that respectful birth care is compatible with human rights-based approaches to maternity care and can improve women's birth experiences and reduce health inequalities (WHO, 2018). Respectful maternity care, defined as a universal human right; It is an approach to care that emphasizes the fundamental rights of women, newborns , and families and increases adequate access to evidence-based care while recognizing the needs and preferences of both women and newborns (Shakibazadeh et al ., 2018).

History of Respectful Maternity Care

For nearly two decades, the majority of interventions aimed at increasing health facility birth rates and reducing maternal mortality have targeted barriers such as inadequate transportation, prohibitively high service costs, and a lack of knowledge about the benefits of facility- based births, but more recently, a growing number of interventions aimed at increasing health facility birth rates and reducing maternal deaths have targeted barriers such as inadequate transportation, prohibitively high service costs, and lack of knowledge about the benefits of facility-based births. There is increasing interest in learning the reasons why women with access to women prefer home birth. Evidence from many countries in sub-Saharan Africa suggests that women will choose to give birth in a facility but choose not to do so due to previous experiences (either their own or their relatives/friends') of inadequate, poor quality and/or disrespectful care in facilities (Kruk et al . , 2010; Shiferaw et al., 2013; Ratcliffe , 2013).

With increasing attention to disrespectful and exploitative care in health care facilities leading to low birth rates, in 2010 the USAID-commissioned TRAction Project published a landscape analysis of respectful birth care. In Brazil, the 1970s and 1980s witnessed the beginning and growth of the birth humanization movement. This movement was one of the first organized efforts to promote respectful maternal care. It focused on providing " humanized childbirth" that satisfied and empowered women and those who served them, and supported women's active participation and decision-making in all aspects of care . The birth humanization movement lost focus in the late 1990s and early 2000s, but many of the movement's principles were embodied in the concept of respectful care (Bowser and Hill , 2010 ; Ratcliffe , 2013).

Respectful Maternity Care

The WHO framework for improving the quality of care for women during childbirth emphasizes that women's experiences of care are equally important in the provision of clinical care. Non-clinical intrapartum care practices, such as providing emotional support by

accompanying birth, continuity of caregiver, effective communication and respectful care, are not prioritized in most cases. These nonclinical practices are generally inexpensive to implement and should complement clinical interventions necessary to optimize the quality of care for women and their families (Bohren , Tunçalp , & Miller, 2020). Recommendations from the World Health Organization (WHO) in 2018 emphasized the quality of interaction between women and healthcare providers and consider good interactions to be a prerequisite for positive outcomes of childbirth. This interaction involves healthcare professionals maintaining women's respect and providing necessary information and emotional support during labor and birth (WHO, 2018).

Respectful maternity care has been recognized as a key strategy to improve the quality and use of maternity care. It is defined as a universal human right that includes respect for women's feelings, dignity, choices and preferences, and ethical principles (Ige and Cele , 2022). The White Ribbon Alliance identified seven areas of respectful birth care during labor using a rights-based approach, including physical abuse, care without consent, care without confidentiality, undignified care, discrimination, abandonment of care, and detention in facilities, but noted that respectful birth care has specific implications in research and program implementation. Their operational components , in terms of behaviours, practices or standards, are often variable (WRA, 2019).

There are several studies around the world that have attempted to explore the components of respectful obstetric care during labor and birth from the perspectives of birthing women and providers. These components generally include providing safe and timely care, developing a positive interaction between the midwife and the woman, protecting confidentiality, taking an active role in the birth process, obtaining the woman's consent before the procedure is performed, informing women about the procedures, respecting patient privacy, and maintaining labor-birth position. relatedly, it includes supporting freedom of choice (Shakibazadeh et al ., 2018 ; Bradfield et al., 2019). From the perspective of birthing women, an important component in improving quality of care and birth satisfaction is respectful behavior by providers. This has become a critical indicator of maternal health care (Ndwiga et al ., 2017)

Respectful maternity care refers to the humane and dignified treatment of a childbearing woman throughout pregnancy, birth, and the period following birth. Respects women's rights and choices through supportive communication, actions, and attitudes. Because disrespectful, abusive behaviors and environments diminish the quality of maternity care, identifying and addressing maltreatment has become an important component of improving respectful

maternity care in healthcare facilities. Evidence to date on “what works” to promote respectful care and/or prevent or eliminate disrespectful care is limited, and many questions regarding effective respectful maternity care program design, implementation, and evaluation remain unanswered, especially in low-resource settings with human resource and infrastructure constraints. remains (WHO, 2017).

This resource pack is designed to empower healthcare facility administrators, healthcare providers, and communities to confront mistreatment during facility-based maternity care services and promote respectful maternity care. Gender-sensitive and respectful care and treatment ultimately improves health outcomes,

- Quality of care and patient safety
- Customers' preference for consulting healthcare professionals and using healthcare facilities
- Provides positive effects such as customer satisfaction and reputation of healthcare providers.

However, the absence of maltreatment during childbirth does not guarantee respectful and dignified care for women in labor (WHO, 2017).

The TRAction report is both emblematic of and driving force behind renewed international interest in respectful maternity care. In the report, authors Bowser and Hill describe the results of their research. The report includes extensive desktop review and interviews with expert informants on disrespect and abuse during childbirth. Results include a catalog of factors affecting the provision of respectful maternity care and the identification of seven categories of disrespect and abuse (Table 1). Apart from the consequences of disrespectful and exploitative behavior towards skilled births in healthcare facilities, these behaviors contribute to the unnecessary suffering of women and are fundamental violations of women's human rights (Bowser and Hill , 2010)

Table 1. Seven Categories of Disrespect and Abuse with Examples. From Bowser and Hill , 2010.

Category	Example
physical abuse	slap, pinch
maintenance without consent	Lack of informed consent or patient communication, mandatory procedures
undisguised care	Lack of privacy and/or confidentiality (e.g., disclosing patient information)
undignified care	Intentional humiliation, rude treatment, scolding, yelling, blaming, negative perceptions of care
Discrimination based on certain patient characteristics	Race, ethnicity, age, language, HIV status, economic level, education level, etc. discrimination on grounds
abandonment of care	Women are left alone during labor and birth, service providers are unable to monitor women and intervene when necessary
Detention in facilities	Detention of the mother and/or baby in the facility after birth, usually due to non-payment.

Disrespectful and abusive behavior during birth has been documented in both developed and developing countries, making this a truly global problem (Bowser and Hill , 2010). However, there is no definitive estimate of the prevalence of disrespect and abuse, nor is there an operational definition of specifically respectful maternity care. The concept is defined only in its absence. Promoting respectful maternity care is a complex issue and extends beyond relatively simple clinical quality improvement efforts to issues of health system governance, social justice, human rights, social norms, and empowering women's decision-making. Providing respectful maternity care therefore has enormous implications for both achieving Millennium Development Goal 5A and securing women's basic human rights (Ratcliffe, 2013).

Respectful maternity care includes 12 areas (Shakibazadeh et al.2017);

1. To be free from harm and mistreatment
2. Protecting privacy and confidentiality
3. Protecting women's dignity

4. Providing information and obtaining informed consent
5. Ensuring continued access to family and community support
6. Improving the quality of the physical environment and resources
7. Ensuring equitable maternity care
8. Effective communication
9. Respecting women's choices that strengthen their ability to give birth
10. Availability of competent and motivated care providers
11. Providing effective care
12. Continuity of care.

In a study examining approaches to respectful maternity care research, existing research on respectful maternity care was mapped by location and country income level. It revealed that research in high-income countries is limited and that a more global approach is needed. Furthermore, studies of respectful birth care in high-income countries find that all forms of mistreatment occur, conflicting with prejudices that suggest respectful birth care is only a problem in low-income countries, and calling for additional research to identify interventions that take an egalitarian approach (Shuman et al. , 2023). There is increasing evidence in studies that a positive care experience contributes to improved maternal and newborn outcomes (Bohren et al. 2017; Morton and Simkin , 2019) . On the other hand, it is reported that disrespectful maternal care and negative birth experiences will negatively affect women's care-seeking behavior and the future of the mother and baby (Wassihun and Zeleke 2018; Leite et al ., 2022). For example, it has been shown that women who experience disrespect and abuse during childbirth may be at increased risk for postpartum depression (Silveira et al ., 2019 ; Leite et al., 2020 ; Hughes et al., 2022). Respectful maternal care has also been reported to reduce the risk of postpartum depression (Fares and Ahmed , 2021).

Respectful Maternity Care for Women

Respectful maternity care is part of a global movement to address the historical absence of human rights in global safe maternal care guidance. Respectful maternity care is based on kindness, compassion, dignity and respectful working conditions (Lokugamage et al ., 2022). A systematic review by Habib et al reported that the likelihood of receiving respectful maternity care is generally reduced, associated with certain factors such as young age, high birth rate, low education level, and low socioeconomic level. He noted that disrespectful care is often associated with complications or poor clinical outcomes. Some studies have also demonstrated the relationship between the absence of respectful maternity care, the decrease in the incidence

of facility-based births and the resulting increase in maternal mortality rates (Habib et al ., 2023; Kiti, Prata , & Afulani , 2022; Lusambili et al ., 2020; Oosthuizen et al . ., 2017; Dynes et al., 2016) Studies have reported that women experience verbal abuse and neglect during birth, feel a lack of emotional support, and their privacy and choices are not respected (Alzyoud et al., 2018; Kresheh et al., 2019).Nigeria In a comprehensive study conducted in Ghana, Myanmar and India, it was observed that the prevalence of maltreatment of women giving birth was 41.6% (Bohren et al., 2019).

Respectful Maternity Care for Healthcare Professionals

Although there is no clear consensus on the definition of respectful maternal care, it is often considered synonymous with intimate and woman-centered care. Intrapartum respectful maternal care respects women's beliefs, independence, emotions, dignity, having companions or performing cultural rituals, etc. It is defined as a fundamental human right that includes respect for one's rights and preferences (Ishola et al ., 2017). Considering the high cesarean section rates in our country as well as all over the world, it is very important to pay more attention to Respectful Maternity Care and conduct research on this subject due to its direct impact on women's birth satisfaction in order to normalize births (Reyhan and Dağlı, 2022).

It is important that health care providers carefully question women's values, needs and fears and support women to have a positive birth experience. There are several studies around the world that have attempted to explore the components of respectful maternal care during labor and birth, from the perspectives of women and healthcare professionals. These components generally include providing safe and timely care, positive interaction between the midwife and the woman, nurturing, protecting confidentiality, taking an active role in the birth, obtaining the woman's consent before the procedure is performed, providing the woman with information about the procedures, encouraging freedom of choice regarding labor and birth position, and is to respect patient privacy (Yıldırım and Şimşek, 2016; Burrowes et al ., 2017; Shimoda et al., 2018). Respectful maternity care should be a routine care paradigm for all health professionals, especially midwives who are on the front lines of maternity care . Continuing professional development of maternity care providers should be supported for the development of respectful maternity care (Dzomeku et al ., 2022).

In a qualitative study conducted by Reyhan and Dağlı (2022) to determine the views of student midwives on "respectful maternity care" during the birth process, midwife students were asked to ensure confidentiality, communicate effectively, stay away from maltreatment, and provide qualified midwifery care regarding Respectful Maternity Care to women during the birth

process. It was concluded that they are aware of the importance of factors such as and that they are of the opinion that they can do many things in their working lives (Reyhan and Dağlı, 2022). A study found that midwives' provision of respectful maternal care is directly related to the perception and knowledge of respectful maternal care. This shows that midwives need to improve their knowledge on respectful birth care and increase their educational qualifications (Chukwudozie et al ., 2022). In another study conducted with midwives, midwives stated that they provided disrespectful care during birth in order to try to save the mother or the baby, and that women's lack of cooperation triggered disrespectful care (Blade et al ., 2017). In a study in which midwifery students were given respectful maternity care training, it was reported that the positive perceptions of midwifery students who received training regarding respectful maternity care increased (Dhakal et al ., 2022).

CONCLUSION

Respectful maternal care is an important component of quality of care. When women feel supported, respected, safe, and realize they can participate in shared decision-making with their care providers, they may be more likely to have positive birth experiences. Whether positive or negative, the birth experience can significantly impact the rest of women's lives. Providing respectful maternal care; It requires collaborative efforts across disciplines, health systems, and stakeholders, including women , families, care providers, and health care systems . Midwives, who are in close contact with women throughout the perinatal process, have a key role in providing quality maternal care. It is important for midwives to lead the way in adopting evidence-based practices and respectful maternity care that will enable the mother and fetus/newborn to experience this process positively.

RESOURCES

- Aktaş R, F. and Dağlı, E. 2022. Student Midwives' Views on "Respectful Maternity Care" during the Birth Process: A Qualitative Research. *Ankara Journal of Health Sciences* , 11(1), 96-105.
- Alzyoud , F ., Khoshnood , K., Alnatour , A., & Oweis , A. 2018. Exposure to verbal abuse oath neglect during childbirth among Jordanian women . *Midwifery* , 58, 71-76.
- Bohren , M.A. , Hofmeyr , G.J., Sakala, C., Fukuzawa , RK, and Cuthbert , A. 2017. Continuous support for women during childbirth . *cochrane database of systematic reviews* , (7).
- Bohren , M.A. , Mehtash , H., Fawole , B., Maung , TM, Balde , MD, Maya, E., ... & Tunçalp , Ö. 2019. How women are treated during facility based childbirth in four countries : a crosssectional study with labor observations oath community-based surveys _ *the Lancet* , 394(10210), 1750-1763.
- Bohren , M.A. , Tunçalp , Ö., and Miller, S. 2020. Transforming intrapartum care : respectful maternity care . *Best Practice & Research clinical Obstetrics & Gynaecology* , 67, 113-126.
- Bowser , D. , Hill , K. 2010. Exploring evidence for disrespect oath abuse in facility-based childbirth : Report of a landscape analysis . USAID TRAction Project
- Bradfield Z, Kelly M, Hauck Y, Duggan R. 2019. Midwives ' with woman in the private obstetric model: Where divergent philosophies meet . *women Birth* .; 32(2):157-167.

- Burrowes , S. , Holcombe , S.J., Jara , D., Carter, D., and Smith, K. 2017. Midwives ' and patients ' perspectives on disrespect oath abuse during labor oath delivery care in Ethiopia : A qualitative study _ *BMC Pregnancy Childbirth* , 17(1), 1-14.
- Christe , D. M ., & Padmanaban , S. 2022. Respectful maternity Resort Initiative : A Qualitative Study . *Journal of obstetrics oath gynecology of India* , 72 (1), 32–37.
- Dynes MM, Twentyman E, Kelly L, Maro G, Msuya AA, Dominico S, et al. .2018. Patient oath provider determinants for receipt of three dimensions of respect maternity care in kigoma region , Tanzania - April- July , 2016 prof. Suellen Miller. Vol . 15, reproductive health . *BioMed Central Ltd.* 5(15):1–24.
- Fares , K. K. , and Ahmed , H.M. 2021. Effect of respectful maternity resort oath effective communication during labor on postpartum depression : an interventional study _ *PJM* , 15(9).
- Habib, H.H. , Mwaisaka , J., Torpey , K., Maya, E.T., & Ankomah , A. 2023. Are respectful maternity care (RMC) interventions effective in reducing intrapartum mistreatment against adolescents ? A systematic review . *Frontiers in global women's health* , 4 , 1048441.
- Hughes , C.S. , Kamanga , M., Jenny , A., Zieman , B., Warren , C., Walker , D., & Kazembe , A. 2022. Perceptions oath predictors of respectful maternity care in malawi : a quantitative crosssectional analysis . *Midwifery* , 103403.
- Ige , W.B. , Cele , W.B. 2022. Barriers to provision of respect maternity resort during childbirth by midwives in south-west , nigeria : findings from semi- structured interviews with midwives . *International Journal of Africa Nursing Sciences* , 100449.
- Ishola , F. , Owolabi , O., & Filippi , V. 2017. Disrespect oath abuse of women during childbirth in Nigeria : A systematic review . *PLoS One* , 12(3), e0174084.
- Khresheh , R. , Barclay , L., & Shoqirat , N. 2019. Caring behaviors by midwives : jordanian women's perceptions during childbirth . *Midwifery* . 74, 1-5.
- Kiti G, Prata N, Afulani PA. 2022. Continuous labor support oath person-centered maternity care : a cross-sectional study with women in rural Kenya. *Matern Child Health J* . 26:205 –16.
- Kruk , M. , Paczkowski , M., Tegegn , A., Tessema , F., Hadley , C., Asefa , M., Galea , S. 2010. Women's preferences for obstetric care in rural Ethiopia : a population-based discrete choice experiment in a region with low rates of facility delivery _ *J Epidemiol community Health* , 64: 984-988. 9.
- Leite , T.H. , Carvalho , TDG, Marques , ES, Pereira , APE, daSilva , AAM, NakamuraPereira , M., and doCarmoLeal , M. 2022. The association between mistreatment of women during childbirth oath postnatal maternal oath child health care : findings from “ birth in brazil ”. *women oath Birth* , 35(1), e28-e40.
- Lokugamage , A.U. , Robinson , N., Pathberiya , SDC, Wong , S., & Douglass , C. 2022. Respectful maternity care in the UK using a decolonial lens. *SN social sciences* , 2 (12), 267.
- Lusambili AM, Naanyu V, Wade TJ, Mossman L, Mantel M, Pell R, et al. 2020. Deliver on your owner : disrespectful maternity care in rural Kenya. Ameh CA, editor . *PLoS What's that* . 15(1):e0214836.
- Morton, C. H ., and Simkin , P. 2019. Can respect maternity resort save oath improve lives ? *Birth* , 46(3), 391-395
- Ndwiga C, Warren CE, Ritter J, Sripad P, Abuya T. 2017. Exploring provider perspectives on respectful maternity care in Kenya: “ Work with what you have ”. *Reprod health* .; 14(1): 99.
- Oosthuizen SJ, Bergh AM, Pattinson RC, Grimbeek J. 2017. It does matter where you come from : mothers ' experiences of childbirth in midwife obstetric units , tshwane , south africa . *Reprod Health* . 14(1):1–11.
- Ratcliffe , H. 2013. Creating evidence base for the promotion of respectful maternity care . *Boston: Harvard School of Public Health , Harvard University , Department of Global Health oath Population* .
- Shakibazadeh , E. , Namadian , M., Bohren , M., Vogel , J.P., Rashidian , A., Nogueira , PV, Madeira , S., Leathersich , S., Tunçalp , Ö., Oladapo , OT, Souza , J.P., & Gülmezoğlu , A. . M. 201. Respectful resort during childbirth in health facilities globally : A qualitative evidence synthesis . *BJOG: An International Journal of Obstetrics & Gynaecology* , 125(8), 932–942.
- Shiferaw , S ., Spigt , M., Godefrooij , M., Melkamu , Y., Tekie , M. 2013. Why do women prefer home births in Ethiopia ? *BMC Pregnancy oath Childbirth* , 13(5).

- Shimoda , K. , Horiuchi , S., Leshabari , S., & Shimpuku , Y. 2018. Midwives ' respect oath disrespect of women during facility-based childbirth in urban Tanzania : A qualitative study _ *reproductive Health* , 15(1), 1-13.
- Shuman , H.L. , Grupp , AM, Robb , LA, Akers , KG, Bedi, G., Shah , MA, Janis , A., Caldart , CG, Gupta , U., Vaghasia , JK, Panneerselvam , A., Kazeem , AO, Amutah- Onukagha , NN, and Levine , DL 2023. Approaches oath geographical locations of respectful maternity resort research : A scoping review . *PloS one* , 18 (8), e0290434.
- Silveira , M.F. , Mesenburg , MA, Bertoldi , AD, De Mola, CL, Bassani , DG, Domingues , MR, Coll , CV 2019. The association between disrespect oath abuse of women during childbirth oath postpartum depression : findings from the 2015 pelotas birth cohort study _ *Journal of Affective Disorders* , 256, 441-447.
- Wassihun , B ., and Zeleke , S. 2018. Compassionate oath respectful maternity resort during facility based child birth oath women's intent to use maternity service in bahir dar, ethiopia . *BMC Pregnancy oath Childbirth* , 18(1), 1-9.
- White Ribbon Alliance . 2011. Respectful _ maternity Care : The Universal Rights of Childbearing Women . Washington DC: White Ribbon Alliance .
- White Ribbon Alliance . 2019. Respectful _ maternity resort charter : universal rights of mothers oath newborns . Washington DC: White Ribbon Alliance .
- World Health Organization , 2017. Respectful Maternity Resort Orientation package For health Care Providers. <https://platform.who.int/docs/default-source/mca-documents/policy-documents/operational-guidance/afg-mn-32-01-operationalguidance-2017-eng-523476805-respectful-maternity-care-providers.pdf> (25.12.2023)
- World Health Organization . 2018. WHO recommendations : intrapartum resort for a positive childbirth experience . <https://www.who.int/reproductivehealth/publications/intrapartum-care-guidelines/en/> . (25.12.2023)
- Yıldırım, A. , and Şimşek, H. 2016. Qualitative research methods in social sciences (10th ed.). Seckin Publishing.
- <https://campus.paho.org/en/course/respectful-maternity-and-newborn-care-2021>

ORTEZ KULLANAN VE KULLANMAYAN HEMİPLEJİK BİREYLERDE YÜRÜYÜŞ ESNASINDA AYAK TABAN BASINÇ VEYERE TEMAS SÜRESİNİN KARŞILAŞTIRILMASI

Merve KIYICI

Sağlık Bilimleri Enstitüsü Üsküdar Üniversitesi

Prof. Dr. Deniz DEMİRCİ

Sağlık Bilimleri Enstitüsü Üsküdar Üniversitesi

ÖZET

Amaç: Bu araştırmanın amacı ortez kullanan ve kullanmayan hemiplejik bireylerin yürüyüş esnasında ayak taban basıncı ve yere temas süresinin karşılaştırılmasıdır.

Yöntem: Çalışmaya Erzurum Doğu Anadolu Özel Eğitim ve Rehabilitasyon Merkezi ve Değişim Özel Eğitim Merkezi'nden 30 – 60 yaş aralığında 29 ortez kullanan ve 29 ortez kullanmayan hemiplejik birey dahil edilmiştir. Katılımcıların yürüyüş esnasında ayak taban basıncı ve yere temas süresinin karşılaştırılması için w-inshoe ayak taban basıncı pedabrografik dinamik yürüyüş sistemi kullanılmıştır. Ayak taban basıncı sensörlerine ait basıncı ve süre analizi ayak tabanı 8 parçaya (topuk 2 , orta ayak 1 , metatarsal için 3 ve ayak parmakları 2 basıncı alanı) ayrılarak değerlendirilmiştir. Elde edilen veriler normal dağılım gösterdiğinden gruplar arası karşılaştırma için parametrik testlerden Bağımsız Örneklem T – Testi kullanılmıştır. Araştırma kapsamında toplanan verilerin analizi için JASP 0.0.15.0 yazılımı aracılığıyla yapılmıştır.

Bulgular: Araştırmada yürüyüş esnasında ortez kullanan hemiplejik bireylerin yere temas süresinin ortez kullanmayanlardan iç topuk ($p<.01$), iç metatars ($p<.01$) ve iç falanks bölgesinde ($p<.01$) fazla olduğu tespit edilmiştir. Ortez kullanan hemiplejik bireylerin yürüyüş esnasında ayak taban basıncı max ($p<.01$) ve ortalama ($p<.01$) değerlerinin de ortez kullanmayanlardan yüksek olduğu saptanmıştır.

Sonuç: Araştırmada ortez kullanan hemiplejik bireylerin yürüyüş esnasında ayak taban basıncı parametrelerinin ortez kullanmayanlardan daha yüksek olduğu tespit edilmiştir. Araştırma sonucunda hemiplejik bireylerde etkilenen alt ekstremitte problemlerinde ortez kullanımının faydalı olduğu ifade edilebilir.

COMPARISON OF FOOT PLANTAR PRESSURE AND GROUND CONTACT TIME DURING WALKING IN HEMIPLEGIC INDIVIDUALS WITH AND WITHOUT ORTHOSIS

ABSTRACT

Objective: The aim of this study is to compare footplantar pressure and ground contact time during walking in hemiplegic individuals with and without orthosis use.

Methods: The study included 29 hemiplegic individuals using orthosis and 29 hemiplegic individuals without orthosis, aged between 30 and 60, from Erzurum Eastern Anatolia Special Education and Rehabilitation Center and Değişim Special Education Center. The Winshoe foot pressure pedobarographic dynamic walking system was employed to compare foot plantar pressure and ground contact time during participants' walking. Pressure and duration analysis of the foot plantar pressure sensors were evaluated by dividing the foot into 8 areas (2 for the heel, 1 for the midfoot, 3 for the metatarsals, and 2 for the toes). As the obtained data showed normal distribution, the Independent Samples T-Test, a parametric test, was used for intergroup comparisons. Data analysis for the collected data in the study was conducted using JASP 0.0.15.0 software.

Findings: In the study, it was found that hemiplegic individuals using orthosis had significantly longer ground contact time during walking compared to those without orthosis, specifically in the inner heel ($p < .01$), inner metatarsal ($p < .01$), and inner phalanx ($p < .01$) regions. Additionally, hemiplegic individuals using orthosis demonstrated higher foot plantar pressure max ($p < .01$) and mean ($p < .01$) values during walking compared to those without orthosis.

Conclusion: The study revealed that hemiplegic individuals using orthosis had higher foot plantar pressure parameters during walking compared to those without orthosis. The findings suggest the potential benefits of orthosis use in addressing lower extremity issues in hemiplegic individuals.

ACİL SERVİSLERDE HEMŞİRELERE YÖNELİK ŞİDDET: ETKİLEYEN FAKTÖRLER VE YOL AÇTIĞI SORUNLAR

Mehmet KAYA

Yüksek Lisans Öğrencisi, Batman Üniversitesi, Lisansüstü Eğitim Enstitüsü, İş Sağlığı ve Güvenliği Tezli Yüksek Lisans Programı, Batman, Türkiye.

ORCID ID: 0009-0002-2551-6145

Dr. Öğr. Üyesi Derya YANIK

Batman Üniversitesi, Sağlık Bilimleri Fakültesi, Hemşirelik Bölümü, Batman, Türkiye.

ORCID ID: 0000-0001-8004-6786

Dr. Öğr. Üyesi Çiçek EDİZ

Hakkari Üniversitesi, Sağlık Bilimleri Fakültesi, Hemşirelik Bölümü, Hakkari.

ORCID ID: 0000-0002-9717-1839

ÖZET

Acil servisler travma organizasyonlarında kritik bir yere sahip olup hastanelerin ayrılmaz birer parçasıdır. Türkiye’de son yıllarda hastanelerde, özellikle acil servislerde hizmet veren sağlık çalışanlarının şiddete maruz kalma sıklığı giderek artmaktadır. Sağlık personelleri arasında şiddetle karşılaşma açısından en büyük risk altında olan grubun hemşireler ve hasta bakımıyla doğrudan ilgilenen diğer personeller olduğu, klinik alanlardaki hemşirelerle karşılaştırıldığında ise acil servis hemşirlerinde bu riskin daha da arttığı bilinmektedir. Acil servisler; ölüm riski yüksek olan hastaların başvurduğu, acil müdahale girişimlerinin gerektiği, hasta/hasta yakını ile sağlık personeli için gerilimin yüksek olduğu birimlerdir. Şiddetin ortaya çıkmasında etkili olan nedenler arasında; hastaların sabırsız olması, hasta ve sağlık çalışanları arasında etkili bir iletişim ortamının kurulamaması, bekleme sürelerinin uzun olması ve personel sayısının eksik olması en önemli etkenler olarak karşımıza çıkmaktadır. Acil servislerde hemşirelerin karşılaştıkları şiddet olayları, hemşirelerin fiziksel, psikolojik ve sosyal refahı üzerinde yıkıcı bir etkisi olan karmaşık ve çok boyutlu bir sorundur. Literatürde, iş yerinde maruz kalınan şiddetin, acil servis hemşirelerinde iş tatminsizliği, yüksek oranda işe devamsızlık ve işten ayrılmaya yol açmanın yanı sıra hasta bakımının tehlikeye atılması, hastane maliyetlerinin artması ve bakım kalitesinin düşmesinde rol oynadığı belirtilmektedir. Bu nedenle acil servislerde hemşirelerin iş doyumlarının arttığı güvenli bir ortamda çalışabilmesi için gerekli tedbirlerin alınması, şiddet eğilimi gösterenlere uygulanacak hukuki girişimlerin yasal sonuçları hakkında toplumun bilgilendirilmesi, şiddet uygulayan kişilere yasal yaptırımların hemen yürürlüğe konması, yöneticilerin şiddete sıfır tolerans göstererek çalışanlara destek vermeleri gerekmektedir. Ek olarak tüm hastane çalışanları ve yöneticilerinin şiddete yönelik farkındalıklarının artırılması, hasta bekleme sürelerinin azaltılması, etkili iletişim becerileri konusunda eğitimlerin verilmesi, bakım verenler arasında iş birliğinin uygulanması, şiddete maruz kalan hemşirelere etkili baş etme stratejilerinin öğretilmesi,

profesyonel psikolojik desteğin saęlanması ve alıřma řartlarının iyileřtirilmesine ynelik dzenlemeler yapılması nerilmektedir.

Anahtar Kelimeler: Acil Servis hemřireleri, fiziksel sorunlar, ruhsal sorunlar, řiddet, iř saęlıęı ve gvenlięi.

VIOLENCE AGAINST NURSES IN EMERGENCY DEPARTMENTS: AFFECTING FACTORS AND PROBLEMS CAUSED

ABSTRACT

Emergency departments have a critical place in trauma organizations and are an integral part of hospitals. In recent years in Turkey, the frequency of exposure to violence by healthcare workers serving in hospitals, especially emergency departments, has been increasing. It is known that the group at greatest risk of encountering violence among healthcare personnel is nurses and other personnel directly involved in patient care, and that this risk is even higher for emergency room nurses compared to nurses in clinical areas. Emergency services; these are units where patients with a high risk of death apply, where emergency intervention is required, and where tension is high for the patient/patient's relatives and healthcare personnel. Among the factors that contribute to the emergence of violence; impatience of patients, the inability to establish an effective communication environment between patients and healthcare professionals, long waiting times and insufficient number of personnel. Violence encountered by nurses in emergency departments is a complex and multidimensional problem that has a devastating impact on nurses' physical, psychological and social well-being. It is stated in the literature that violence at work plays a role in causing job dissatisfaction, high rates of absenteeism and turnover in emergency room nurses, as well as endangering patient care, increasing hospital costs and decreasing the quality of care. For this reason, necessary precautions must be taken in emergency departments so that nurses can work in a safe environment where their job satisfaction increases, the society must be informed about the legal consequences of legal initiatives to be applied to those who show violent tendencies, legal sanctions must be put into effect immediately against those who commit violence, and managers must support employees by showing zero tolerance for violence. In addition, it is aimed to increase the awareness of all hospital employees and managers about violence, reduce patient waiting times, provide training on effective communication skills, implement cooperation between caregivers, teach effective coping strategies to nurses exposed to violence, provide professional psychological support and improve working conditions. It is recommended that adjustments be made.

Keywords: Emergency Service nurses, physical problems, mental problems, violence, occupational health and safety.

GİRİŞ

İşyeri şiddeti sağlık kuruluşları için ciddi bir sorun teşkil etmekte ve hem gelişmiş hem de gelişmekte olan ülkelerde görülebilmektedir (Büyükbayram ve Okçay, 2013; Somani ve ark., 2021). Sağlık kuruluşlarındaki şiddet olayları hasta, hasta yakınları ya da diğer başka kişilerden gelen ve sağlık çalışanları için risk teşkil eden tehdit durumları, sözel söylemler, fiziksel saldırılar ve cinsel saldırı girişimlerinden oluşan şiddet durumları olarak tanımlanmaktadır (Hou ve ark., 2022). Dünya Sağlık Örgütü işyerindeki şiddetin, sağlık personeli ve sağlık hizmetleri sunumunu olumsuz etkileyen küresel bir salgın olduğunu belirtmiş ve sağlık çalışanlarının %8 ila %38'inin mesleklerinin bir noktasında fiziksel şiddete maruz kaldığını bildirmiştir (WHO,2003).

Sağlık personelleri arasında şiddetle karşılaşma açısından en büyük risk altında olan grubun hemşireler ve hasta bakımıyla doğrudan ilgilenen diğer personeller olduğu, klinik alanlardaki hemşirelerle karşılaştırıldığında ise acil servis hemşirelerinde bu riskin daha da arttığı bilinmektedir (Somani, 2021; Öztaş ve ark., 2023). Travma organizasyonlarının bir parçası olan acil servisler, travmaların önlenmesi, ilk yardım, tedavi, bakım, rehabilitasyon ve hatta travma yaşayan kişilere travma sonrası psikolojik destek sağlayabilmek üzerine kurulmuş organizasyonlar olup hastanelerin ayrılmaz birer parçasıdır. Acil serviler; ölüm riski yüksek olan hastaların başvurduğu, acil müdahale girişimlerinin gerektiği, hasta/hasta yakını ile sağlık personeli için gerilimin yüksek olduğu birimlerdir (Annagür B, 2012). Acil servis hemşirelerinin şiddet olaylarıyla daha sık karşılaştığı ve şiddet yaygınlığının % 46- 82 oranında olduğu ortaya konmuştur (Al-Qadi, 2020).Sağlık çalışanları iş yerinde karşılaştıkları şiddet nedeniyle sıklıkla duygusal travmalar yaşarlar. Şiddet olayları, sağlık çalışanlarının ruhsal durumunu etkileyerek travma sonrası stres bozukluğu, tükenmişlik hissi, anksiyete ve depresyona neden olmanın yanında hasta bakımında yetersizlik, iş memnuniyetsizliği, verimliliğin azalmasına ve hasta bakım kalitesinin düşmesine yol açar (Aljohani ve ark., 2021; Al-Qadi, 2020).

Acil Servis Hemşirelerinin Karşılaştıkları Şiddetin Nedenleri, Sonuçları ve Ortaya Çıkan Sorunlar

Hemşireler için güvenli bir uygulama ortamı, sağlık sisteminin bütünlüğü ve hasta bakımının kalitesi için kritik öneme sahiptir (Hou, 2022). Hemşirelere karşı işyerinde şiddet yaygınlığının ABD'de% 76, Tayvan'da% 81.5, İran'da% 69, İtalya'da% 49, Çin'de% 66,8 ve Türkiye'de% 85,2 olduğu belirtilmektedir. (Al-Qadi, 2020).

Çalışma ortamlarında hemşirelere yönelik şiddetin kaynakları arasında; hasta, hasta yakınları, doktorlar, meslektaşları ve diğer sağlık çalışanları olabilmektedir (Kahya ve ark. 2016). Ancak acil servislerde çalışan hemşirelerin karşılaştıkları şiddet olaylarının nedenleri ve failleri acil serviste bakım verdikleri hasta popülasyonunun heterojenliğinden dolayı daha karmaşık olabilmektedir. Acil servis hemşireleri ile yapılan bir çalışmada, hemşireler en çok şiddet uygulayan grubun; sinirli, stresli, çaresizlik hissedilen hasta yakınları, akıl sağlığı sorunları olan hastalar, deliryum, sepsis veya hipoksi gibi altta yatan bir tıbbi durum nedeniyle şiddetlenen hastalar, başta alkol olmak üzere bazı madde bağımlısı olan hasta grubu ve acil servise tekrar tekrar gelen hastalar olduğunu bildirmişlerdir (Spelten ve ark., 2020). İsrail’de yapılan bir çalışmada da; acil servislerde hemşirelerin karşılaştıkları şiddetin ana faktörlerinin; mesleki deneyim azlığı, hastaların ağrı düzeyi, sunulan sağlık hizmetinin kalitesi, bekleme süresi, karşılanmamış hasta beklentisi ve işyerindeki hemşireler arasındaki anlaşmazlıklar olduğu ortaya konmuştur (Abu Rash, 2023). Acil servislerde hemşirelerin karşılaştıkları şiddet olayları, hemşirelerin fiziksel, psikolojik ve sosyal refahı üzerinde yıkıcı bir etkisi olan karmaşık ve çok boyutlu bir sorundur (Ayasreh ve Hayajneh 2021). Literatürde, iş yerinde maruz kalınan şiddetin, acil servis hemşirelerinde iş tatminsizliği, yüksek oranda işe devamsızlık ve işten ayrılmaya yol açmanın yanı sıra hasta bakımının tehlikeye atılması, hastane maliyetlerinin artması ve bakım kalitesinin düşmesinde rol oynadığı belirtilmektedir (Al-Qadi, 2020; Liu, 2019; Somani, 2021). Şiddet unsurunun hemşirelerde kendilerini baskı altında hissetme, tükenme, sinirlilik hali, depresyon ve anksiyete gibi farklı sorunlara yol açtığı bilinmektedir. (Edward KL, 2014; Yasal ve günüşen, 2019). Ancak bazı çalışmalarda hemşirelerin kendilerini güvende hissetmemelerine rağmen acil servisteki şiddet olaylarını mesleklerinin bir parçası olarak gördükleri, bu durumu normalleştirdikleri ve maruz kaldıkları şiddeti raporlanma oranlarının düşük olduğuna dikkat çekilmiştir (Al-Qadi, 2020; Ayasreh ve Hayajneh 2021; Hui-Ling ve ark., 2020; Spelten ve ark., 2020).

Ülkemizde yapılan çalışmalar da acil serviste çalışan hemşirelerin yüksek oranlarda şiddete maruz kaldıklarını, sözel şiddetin fiziksel şiddetten daha fazla görüldüğünü, şiddetin iş doyumunu azalttığını ve işten uzaklaşmaya neden olduğunu, fiziksel (yaralanma, tekrarlayan baş ağrıları, kronik ağrılar, ağrıya eşlik eden spazmlar) ve ruhsal sorunlara (anksiyete, huzursuzluk, öfke, stres bozukluğu, uyku sorunları, kabuslarla uyanma, öz saygıda azalma vb.) yol açtığını ortaya koymuştur (Bahar ve ark., 2016; Büyükbayram ve Okçay, 2013; Kahya ve ark. 2016; Yasal ve Günüşen, 2019). Yine literatürle benzer şekilde ülkemizdeki acil servis hemşirelerinin şiddet olaylarını rapor etmek istemedikleri, rapor etmeme nedenleri arasında;

geçmişte rapor edilen olayların sonuçlanmaması, destekleyici iş politikasının olmaması, raporlandırmanın zaman kaybı olarak görülmesi, sadece ciddi fiziksel yaralanmaların şiddet olarak görülmesi ve suçlanmaktan korkmaları gösterilmiştir (Kahrıman, 2014).

SONUÇ VE ÖNERİLER

Sonuç olarak dünya genelinde birçok ülkede acil servislerde hemşirelere yönelik şiddet olaylarının süreklilik gösterdiği, tekrarlanan şiddet olaylarının tehlike arz eden sosyal davranışlara dönüştüğü, bu nedenle hemşirelerin karşılaştıkları şiddet olaylarının halen çok önemli ve çözüm bulunması gereken bir sorun olduğu gerçeğini gündeme getirmektedir. Hemşirelere yönelik şiddetin hasta, hasta yakınları, doktorlar, meslektaşları ve diğer sağlık çalışanlarından kaynaklandığı ve hemşirelerin fiziksel, ruhsal ve sosyal iyilik halini olumsuz etkilediği açıkça görülmektedir. Hemşirelerin maruz kaldıkları şiddete bağlı olarak iş doyumlarının, mesleki bağlılıklarının ve işe devam etme oranlarının azaldığı, bu durumun hastane maliyetlerinin artması ve bakım kalitesinin düşmesinde rol oynadığı bilinmektedir. Bu nedenle acil servislerde hemşirelerin iş doyumlarının arttığı güvenli bir ortamda çalışabilmesi için gerekli tedbirlerin alınması, şiddet eğilimi gösterenlere uygulanacak hukuki girişimlerin yasal sonuçları hakkında toplumun bilgilendirilmesi, şiddet uygulayan kişilere yasal yaptırımların hemen yürürlüğe konması, yöneticilerin şiddete sıfır tolerans göstererek çalışanlara destek vermeleri gerekmektedir. Ek olarak tüm hastane çalışanları ve yöneticilerinin şiddete yönelik farkındalıklarının artırılması, hasta bekleme sürelerinin azaltılması, etkili iletişim becerileri konusunda eğitimlerin verilmesi, bakım verenler arasında iş birliğinin uygulanması, şiddete maruz kalan hemşirelere etkili baş etme stratejilerinin öğretilmesi, profesyonel psikolojik desteğin sağlanması ve çalışma şartlarının iyileştirilmesine yönelik düzenlemeler yapılması önerilmektedir.

KAYNAKÇA

- Abu Ras, İ.(2023). The factors that affect violence against nurses in emergency departments. *Heliyon*, 9(3), e14306. <https://doi.org/10.1016/j.heliyon.2023.e14306>
- Aljohani, B., Burkholder, J., Tran, Q.K., Chen, C., Beisenova, K., & Pourmand, A. (2021). Workplace violence in the emergency department: a systematic review and meta-analysis. *Public Health*, 196, 186-197. <https://doi.org/10.1016/j.puhe.2021.02.009>
- Al-Qadi, M.M. (2020). Nurses' perspectives of violence in emergency departments: A metasynthesis. *International Emergency Nursing*, 52, 100905. <https://doi.org/10.1016/j.ienj.2020.100905>
- Annagür, B. (2010). Sağlık çalışanlarına yönelik şiddet, risk faktörleri, etkileri, değerlendirilmesi ve önlenmesi. *Psikiyatride Güncel Yaklaşımlar*, 2, 161-73.
- Ayasreh, I.R., & Hayajneh, F.A. (2021). Workplace Violence Against Emergency Nurses: A Literature Review. *Crit Care Nurs Q.*, 44(2), 187-202. doi: 10.1097/CNQ.0000000000000353
- Bahar, A., Şahin, S., Akkaya, Z., & Alkayış, M. (2015). Acil Serviste Çalışan Hemşirelerin Şiddete Maruz Kalma Durumu ve İş Doyumuna Etkili Olan Faktörlerin İncelenmesi. *Psikiyatri Hemşireliği Dergisi*, 6(2), 57-64

- Büyükbayram, A., & Okçay, H. (2013). The sociocultural factors that affect violence in health care personnel. *J Psy Nurs*, 4, 46-53.
- Edward, K.L., Ousey, K., Warelow, P., & Lui, S.(2014).Nursing and aggression in the workplace: A systematic review. *Br J Nurs.*, 23, 653-9.
- Hou, Y., Corbally, M., & Timmins, F. (2022). Violence against nurses by patients and visitors in the emergency department: A concept analysis. *Journal of Nursing Management*, 30(6), 1688–1699. <https://doi.org/10.1111/jonm.13721>
- Hui-Ling, L., Chin-Yen, H., Bernice, R., Chun-Chih, L., Mei-Ying, L., & Wen, C. (2020). Workplace Violence Against Emergency Nurses in Taiwan: A Cross-Sectional Study. *Journal of Emergency Nursing*,46(1), 66-71.e4. <https://doi.org/10.1016/j.jen.2019.09.004>
- Kahriman, İ. (2014). Hemşirelerin sözel ve fiziksel şiddete maruz kalma durumlarının belirlenmesi. *Psikiyatri Hemşireliği Dergisi*, 5(2):77-83.
- Kahya, B., Çetin, Ç., & Cebeci, F (2016). Acil servis hemşirelerine yönelik şiddet: Sistematik derleme. *Fırat Tıp Derg.*, 21(4) 170-176
- Liu, J., Gan, Y., Jiang, H., Li, L., Dwyer, R., Lu, K., et al. (2019) .Prevalence of workplace violence against healthcare workers: a systematic review and meta-analysis. *Occup Environ Med*, 76(12), 927e37. <https://doi.org/10.1136/oemed-2019-105849>
- Öztaş, İ., Yava, A., & Koyuncu, A. (2023). .Exposure of Emergency Nurses to Workplace Violence and Their Coping Strategies: A Cross-Sectional Design. *Journal of Emergency Nursing*, 49 (3), 441-449. <https://doi.org/10.1016/j.jen.2022.09.002>
- Somani, R., Muntaner, C., Hillan, E., Velonis, A.J., & Smith,P. (2021).A Systematic Review: Effectiveness of Interventions to De-escalate Workplace Violence against Nurses in Healthcare Settings. *Safety and Health at Work.*, 12 (3): 289-295. <https://doi.org/10.1016/j.shaw.2021.04.004>
- Spelten, E., Thomas, B., O'Meara, P., van Vuuren, J., & McGillion, A. (2020) Violence against Emergency Department nurses; Can we identify the perpetrators? *PLoS ONE* 15(4): e0230793. <https://doi.org/10.1371/journal.pone.0230793>
- WHO, 2003. <https://www.who.int/activities/preventing-violence-against-health-workers>. Erişim Tarihi: 20.02.2024.
- Yasal, D. & Günüşen, N.P. (2019). Acil Serviste Çalışan Hemşirelerin Travma Sonrası Stres Belirtilerini Etkileyen Faktörler ve Hemşirelerin Başetme Yollarının İncelenmesi. *DEUHFED*, 12(1), 74-81.

GÖÇ OLGUSU ÜZERİNE SOSYOLOJİK BİR ANALİZ

Dr. Öğr. Üyesi Ahmed Hamza ALPAY

Bayburt Üniversitesi, Sağlık Hizmetleri Meslek Yüksekokulu, Sağlık Bakım Hizmetleri Bölümü,
Yaşlı Bakımı Pr.

ORCID ID: 0000-0002-8781-6939

ÖZET

Bu çalışmanın amacı göç olgusunu çağrışım kategorilerden herhangi biriyle özetlemek değildir. Göç olgusunun bu çalışmayı domine etmesi mevcut literatürün katkılarına doğrudan yanıt almadan sorunu birden fazla yolla ifade etmektir. Bilişsel yeteneklerin sosyal katılımında kapsayıcı bir strateji etkinliği sorgulanabilir. Bu sorgulamanın örnek olarak başarılı bir şekilde yerine getirilmesi nadiren görülen bir şekilde fırsatlar sunar. Bu noktaları açıklamak için alternatif bir hipotez; sınırlı oyunculara rehberlik edecek raporları belirlemektir. Göç olgusunun görünürdeki katılımı öykü alma bağlamında farklı paydaşlarla birlikte ön yargıya açıktır. Araştırma boşluklarını dolduracak operasyonel faktör; oyun alanının tercih edilen katılım derecesidir. Göç olgusu araştırmalarında bir dizi zayıflık bireysel ölçeklerin farklı türdeki hedef kitlesidir. Araştırma kayıtlarında stratejilerin uygulanması, çalışma konseptlerine geçişin önemi; politika oluşturma tekeliyle desteklenen görevlerden en azıdır. Koşulları iyileştirmek, prosedürler hakkındaki bileşenlerin çokluğu; duruma bağlı olarak klasik bir dile ihtiyaç duyar. Bu dil, göç olgusunun belirlenen önemindeki yorumları ve iklimi çağrıştıır. Bazı önemli hususları ortaya çıkarmada köklü şekilde sınırlandırılmış geç bir kabul vardır. Böyle bir kabul, karar verme için görevlendirme ve araştırma verilerinin kanıt olmalarına yapılan desteği başlatmaya zorlar. Kişisel deneyim insan eylemlerini derecelendiren toplamlar için atıfta bulunur. Algılanan efor araştırma üretkenliğine katılım oluşturmak için ayırt edilebilir ahlaki bir bileşen sağlayabilir. Bu çalışmayı farklı kılabacak olan; ortak algıları içeren göç olgusunun sınırlı bir arama deneyiminde farklı versiyonlarına bilgi sağlamaktır.

Anahtar Kelimeler: Bilişsel Yetenek, Çağrışım, Göç, İnsan Eylemi.

A SOCIOLOGICAL ANALYSIS ON THE PHENOMENON OF MIGRATION

ABSTRACT

The aim of this study is not to summarize the phenomenon of migration with any of the connotative categories. Expressing the problem in more than one way without receiving a direct response to the contributions of the existing literature is that the phenomenon of migration dominates this study. The effectiveness of an inclusive strategy may be questioned in the social involvement of cognitive abilities. Successful execution of this inquiry by example opens up opportunities in a way that is rarely seen. An alternative hypothesis to explain these points is to identify reports to guide limited players. The apparent rigidity of the phenomenon of migration in the context of history taking is open to bias with different stakeholders. The operational factor that will fill the research gaps is the preferred degree of involvement of the playground. The target audience of different types of individual scales in migration phenomenon research is a set of weaknesses. Not the least of the tasks supported by the monopoly of policymaking is the implementation of strategies in the research register, the importance of transition to study concepts. To improve conditions, the multitude of components about procedures need a classical language depending on the situation. This language evokes the interpretations and climate of the determined importance of the phenomenon of migration. There is a belated acknowledgment that is radically limited in bringing out some important issues. Such acceptance forces the commissioning of decision-making and the initiation of support for research data as evidence. Personal experience is the reference for aggregates that rate human actions. It is perceived effort that provides a distinguishable moral component for generating engagement in research productivity. What will make this study different is to provide information on different versions of the migration phenomenon, which includes common perceptions, in a limited search experience.

Keywords: Cognitive Ability, Association, Migration, Human Action.

1. GİRİŞ

İnsanların karmaşık ağlar, ilişkiler, yerler ve yolculuklardaki karşılıklı bağlılığı ve bağımlılığı (Brown & Gilmartin, 2020: 1168) göçün bireyin yaşamında önemli bir strateji olduğu evrensel bir kalıba işaret etmektedir (Duszczuk & Matuszczuk, 2019: 41). Bunun nedeni kendi kendine seçim etkisi olabilir. Çünkü göç daha sağlıklı bireyler için daha kolaydır (Petak, 2017: 96). Politika açısından bakıldığında, mevcut nüfusu korumak, yeni insanları çekmek kadar önemli

olabilir. Göçü çeken faktörler, bir yerde hâlihazırda yaşayan ve çalışanlar için de aynı derecede önemli olabilir (Jordan & Elhorst, 2016: 363). Göç bölgesel yakınlaşmayı hızlandırıyor mu yoksa engelliyor mu? Mekânsal eşitsizlikleri eşitlemeyi amaçlayan bölgesel politikalar göç teşviklerini güçlendirmeli mi yoksa azaltmalı mı? Bölgesel yakınsama ve ayrışmaya ilişkin genel soruyu analiz eden çok sayıda çalışmaya rağmen göçün mekânsal eşitsizlikler üzerindeki spesifik etkileri, özellikle ampirik analiz açısından yeterince araştırılmamıştır. Teorik olarak birbiriyle tamamen çelişen iki yaklaşım ayırt edilebilir: (1) göçü, homojen bir iş gücünü yoksul bölgelerden zengin bölgelere yeniden tahsis eden bir uyum mekanizması olarak gören standart denge kavramı; ve (2) göçün insan sermayesinin mekânsal (yeniden) dağılımı üzerindeki rolüne odaklanan dengesizlik yaklaşımı (Kubis & Schneider, 2016: 1790). Aynı zamanda, diğer bulgular, çoğunlukla daha kötü yaşam standartları ve tehlikeli çalışma koşullarında daha yüksek istihdam oranları nedeniyle göçmenlerin sağlığının bozulduğunu ileri sürmektedir. Buna "tükenmiş göçmen etkisi" adı verilmektedir (Petak, 2017: 96). Çağdaş literatürde uluslararası göç, genel olarak işçilerin yoksul ya da gelişmekte olan ülkelerden zengin ya da gelişmiş ülkelere göçü anlamına gelmektedir. Bu tür göçe güneyden kuzeye göç de denir. Ancak "tersine göç" ya da kuzeyden güneye göç şu ana kadar uluslararası göç bağlamında ilgi görmemiştir (Shrestha, 2011: 168). Küresel hareketlilik çağımızın en acil sorunlarından biri olmaya devam ediyor. Kuzeydeki ülkeler, sınırlarının kontrolü ve ülkelerine geri dönüş süreçlerinde iş birliklerini güvence altına almak için güneydeki büyük 'gönderen' ülkelere yöneliyor. Göçü açıkça küresel güvenlik tehditlerine ve zayıf yönetişime bağlayan bu göç kontrol girişimleri, kalkınma hedefleriyle meşrulaştırılıyor ve bazen resmî kalkınma yardımları tarafından finanse ediliyor (Aliverti & Tan, 2020: 197). Göç teorilerine ilişkin incelemeler (Duszczyk & Matuszczyk, 2019: 41) göç politikaları üzerinde ısrarla durur. Göç ve hareketlilik açısından önemli etik ve ahlaki kaygılara dikkat çeker (Brown & Gilmartin, 2020: 1168). Kişisel deneyim insan eylemlerini derecelendiren toplamlar için atıfta bulunur. Algılanan efor araştırma üretkenliğine katılım oluşturmak için ayırt edilebilir ahlaki bir bileşen sağlayabilir. Bu çalışmayı farklı kılacak olan; ortak algıları içeren göç olgusunun sınırlı bir arama deneyiminde farklı versiyonlarına bilgi sağlamaktır.

2. METODOLOJİ

En genel anlamda göç, bir ülke içinde insanların çoğunlukla köylerden şehirlere doğru uzun süreli ikamet yeri değişikliğini de içeren hareketidir. Göçün karmaşıklığı tek bir olaydan ziyade sürekli tekrarlanan bir süreç ve hakkında veri toplamanın zor olmasıdır. Veriler, doğurganlık

ve ölüm gibi konularda bilgi sağlamak amacıyla nüfus sayımı verileriyle sınırlıdır. Göçle ilgili mevcut nüfus sayımı verileri aynı zamanda olası analizler için ciddi sınırlamalar da sunmaktadır. Çünkü birçok ülke için mevcut olan nüfus sayımı verileri, belirli göçmen gruplarına yönelik göç profillerinin ve bunların toplum içindeki enlemsel hareketlerinin tam analizine izin vermekte yetersizdir (Madaha & Wejnert, 2011: 135). Eleştirel gerçekliğin, göç süreçlerindeki yapı ve failliğin daha karmaşık bir analizi için verimli bir yol sunduğu öne sürülüyor (Bakewell, 2010: 1689). Göçün artıları ve eksilerinin hesabı, planlama sürecinin ve ardından mekânsal hareketliliğe ilişkin kararlar almanın önemli bir unsurudur. İlgili bilgilere erişimin oldukça sınırsız olduğu varsayıldığında; göç etmeyi düşünen bir kişi, menşe ülkesi ile olası varış ülkesi arasında anlamlı karşılaştırmalar yapabilir. Ancak bilim insanları, nüfusun yalnızca bir kısmının ekonomik faaliyet dönemi içerisinde neden göç stratejisini benimsemeye karar verdiğini açıklayacak tutarlı bir katalogun bulunmadığını vurguluyorlar (Duszczuk & Matuszczuk, 2019: 41). Göç modelinin, ortalama diyebileceğimiz, merkezi konumdaki kentsel bölgelerde deneyimlenenlerden önemli ölçüde farklı olduğu açıktır: Daha yüksek düzeyde hareketlilik, daha fazla iç ikamet değişikliği, daha olumsuz bir göç dengesi, belirli milletlerin artan yoğunlaşması ve göçlere yansıyan ekonomideki değişikliklere karşı daha fazla hassasiyet (Corte vd., 2005: 34). Çalışmaların karşılaştırmalı tasarımı; göç süreçlerini, hem gönderen hem de kabul eden ülkelerdeki farklı bağlamsal koşulları anlamamızı sağlar (Pereira vd., 2015: 132). Bu çalışmanın amacı göç olgusunu çağrışım kategorilerden herhangi biriyle özetlemek değildir. Göç olgusunun bu çalışmayı domine etmesi mevcut literatürün katkılarına doğrudan yanıt almadan sorunu birden fazla yolla ifade etmektir.

3. GÖÇ OLGUSU

İnsanların gönüllü olarak göç etme kararları (Duszczuk & Matuszczuk, 2019: 41) hem göçe ilişkin sosyal bilimsel teorinin geliştirilmesinde hem de insanların hareketlenmelerine yönelik politika tepkilerinin şekillendirilmesinde merkezi bir rol oynamaktadır. Birincisiyle ilgili olarak, birçok göç teorisi göçmenlerin veya potansiyel göçmenlerin taşınma kararları konusunda önemli düzeyde tercih hakkına sahip olduğu varsayımına dayanmaktadır. Aile veya daha geniş sosyal kurumların sınırları içinde çalışıyor olsalar bile, araştırmalar genellikle zorunlu ve gönüllü göç arasında bir ayrım yapacaktır. Bu nedenle, örneğin, insanlar mülteci olarak kabul ediliyorsa göç teorisinin kapsamı dışında kabul edilirler. Zorunlu göç elbette oldukça ilgi çekici ve önemli bir konudur, ancak bireysel karar vermeyle ilgili değildir. Onları hareket etmeye zorlayan siyasi, ekonomik veya sosyal faktörleri keşfetmeye çalışabiliriz

(Bakewell, 2010: 1690). Psikolojik iyi oluşun öznel bir göstergesi olarak göçmenlerin mutluluğuna odaklanan çalışmalar genellikle göç sonrasında mutlulukta bir artış olduğunu varsaymaktadır. Ancak göç aynı zamanda psikolojik esenliğin azalmasında potansiyel olarak stresli bir yaşam olayı da sunmaktadır (Petak, 2017: 95). İnsanların neden göç etmeye karar verdiklerini anlamamıza yardımcı olan hâkim teorik bakış açısının durumu belki de itme-çekme modeline ayrılmalıdır. Kaczmarczyk'in (2005) belirttiği gibi kavram, ilk ortaya çıktığı dönemde çığır açıcı bir kavramdı ve hâlen göç çalışmaları alanında en etkili kavramlar arasında yer almaktadır. İlk savunucusu Lee (1966), göçle ilgili kararlar alınırken dikkate alınan dört faktör grubunu ayırt etti:

(1) menşe yerini karakterize eden itici faktörler

(2) varış yerini karakterize eden çekici faktörler

(3) araya giren engeller

(4) kişisel faktörler. İtme-çekme modeline göre göçle ilgili bir karar, iki yerelleştirme arasındaki önemli eşitsizlik temelinde alınır. Bu bağlamda 'itici ve çekici faktörler' her bireyin kaynak havuzu, ihtiyaçları ve deneyimleriyle etkileşim hâlinindedir (Duszczek & Matuszczek, 2019: 42). Bu tartışmaların merkezinde, emek ihracatından ithalatına geçiş vardı ve bu da 'göçte geri dönüş' veya göçten göçe geçiş fikrine yol açtı (DeWind vd., 2012: 379). Dolayısıyla çağdaş küresel kalkınma söylemi ve pratiğinde ortaya çıkan şey, Smith'in (2016) tanımladığı gibi 'düzensiz göçü düzenli olanlara dönüştürmeyi' amaçlayan bir süreç olan 'göç yönetimi' ile meşguliyettir. Bu tür bir ilgi, yönetim ve sürdürülebilirlik dilinin esnekliği, küresel yoksulların hareketliliğinin suçla bağlantılı ve cezai tedbirlerle kontrol edilmesi gereken bir güvenlik sorunu olmasına izin veriyor ve hatta bunu güçlendiriyor (Aliverti & Tan, 2020: 198). Çağdaş göçün doğası, erkek veya kadın işçi göçünün mevcut ölçeğine ilişkin hiçbir resmî istatistik bulunmadığı anlamına gelse de (Johnson, 2017: 242) rasyonel önermelere dayanma eğilimindedir. Gönüllü göç, ister emek ister eğitim göçü olsun, hem göç eden bireylere hem de onları gönderen topluluğa somut faydalar sağlayabilir. Genel olarak göçün, kişinin menşe ülkesinin sunduğundan daha üstün, arzu edilen yaşam ve istihdam koşullarının elde edilmesine yol açması bekleniyor gibi görünüyor (Duszczek & Matuszczek, 2019: 41). Bilişsel yeteneklerin sosyal katılımında kapsayıcı bir strateji etkinliği sorgulanabilir. Bu sorgulamanın örnek olarak başarılı bir şekilde yerine getirilmesi nadiren görülen bir şekilde fırsatlar sunar.

Bu noktaları açıklamak için alternatif bir hipotez; sınırlı oyunculara rehberlik edecek raporları belirlemektir.

4. TARTIŞMA VE SONUÇ

Mikro düzeyde bireylerin ve hanelerin sosyo-demografik özellikleri, göçün uygulanabilir bir yaşam stratejisi olarak değerlendirilmesi eğilimini etkileyebilir. Özellikle hane halkına odaklanmak, yeni göç ekonomisi teorisinin ayırt edici bir özelliğidir (Duszcyk & Matuszczyk, 2019: 42). Göçle ilgili kararlar, kişisel faydaları veya mutluluk duygularını en üst düzeye çıkarmak olduğunu varsayan fayda maksimizasyonu kavramı kullanılarak açıklanabilir. Goldin ve Reinert'e (2007) göre, insanlar genellikle ancak tüm bu değişikliklerin toplamının genel memnuniyet düzeylerini artıracığından makul ölçüde emin olduklarında göç etmeyi tercih edeceklerdir (Shrestha, 2011: 171). Benzer şekilde göçün ekolojik yıkıma kadar izini sürmek, mağdurlarının somut deneyimlerinin araştırılmasını gerektirir (Chen-Zion, 2022: 585). Dahası, göç çoğu zaman streslidir ve zihinsel sağlığın bozulmasına katkıda bulunan bir faktör olarak hareket eder (Petak, 2017: 89). Çünkü göç özünde mekânla ilgilidir. Göçmenler kendi memleketleri ya da kendilerine sunulan diğer alternatif destinasyonlar yerine tek bir yerde yaşamayı tercih ediyorlar. Varış yerinin göreceli özellikleri, alternatif varış yerleri ve ev konumunun yanı sıra; göçmenlerin kendi özellikleri, tercihleri ve yetenekleri de ayrılma kararına katkıda bulunur (Jordan & Elhorst, 2016: 362).

Göç olgusunun görünürdeki katılığı öykü alma bağlamında farklı paydaşlarla birlikte ön yargıya açıktır. Araştırma boşluklarını dolduracak operasyonel faktör; oyun alanının tercih edilen katılım derecesidir. Göç olgusu araştırmalarında bir dizi zayıflık bireysel ölçeklerin farklı türdeki hedef kitlesidir. Araştırma kayıtlarında stratejilerin uygulanması, çalışma konseptlerine geçişin önemi; politika oluşturma tekeliyle desteklenen görevlerden en azıdır. Koşulları iyileştirmek, prosedürler hakkındaki bileşenlerin çokluğu; duruma bağlı olarak klasik bir dile ihtiyaç duyar. Bu dil, göç olgusunun belirlenen önemindeki yorumları ve iklimi çağırıştırır. Bazı önemli hususları ortaya çıkarmada köklü şekilde sınırlandırılmış geç bir kabul vardır. Böyle bir kabul, karar verme için görevlendirme ve araştırma verilerinin kanıt olmalarına yapılan desteği başlatmaya zorlar.

KAYNAKÇA

Aliverti, A., & Tan, C. (2020). Development and the Externalisation of Border Controls. Blaustein, J., Fitz-Gibbon, K., Pino, N. W., & White, R. (Ed.) *The Emerald Handbook of Crime, Justice and Sustainable Development*, Emerald Publishing Limited, Leeds, pp. 197-219.

- Bakewell, O. (2010). Some Reflections on Structure and Agency in Migration Theory. *Journal of Ethnic and Migration Studies*, 36(10), 1689-1708.
- Brown, S., & Gilmartin, M. (2020). Migration and mobilities. *Social & Cultural Geography*, 21(8), 1168-1173.
- Chen-Zion, N. (2022). Caught in Europe's net: ecological destruction and Senegalese migration to Spain. *Review of African Political Economy*, 49(174), 584-600.
- Corte, S. D., Raymaekers, P., Thaens, K., & Vandekerckhove, B. (2005). Intra-Urban Migrations and Deprived Neighbourhoods in Flanders and Brussels. *Open House International*, 30(3), 27-36.
- DeWind, J., Kim, E. M., Skeldon, R., & Yoon, I-J. (2012). Korean Development and Migration. *Journal of Ethnic and Migration Studies*, 38(3), 371-388.
- Duszczek, M., & Matuszczyk, K. (2019). Labour Market Security and Migration-related Decisions: Theoretical Background. Duszczek, M. (Ed.) *Why Do People Migrate?*, Emerald Publishing Limited, Leeds, pp. 25-66.
- Johnson, J. A. (2017). After the mines: the changing social and economic landscape of Malawi–South Africa migration. *Review of African Political Economy*, 44(152), 237-251.
- Jordan, D., & Elhorst, P. (2016). Virtual Special Issue on Migration. *Spatial Economic Analysis*, 11(4), 361-364.
- Kubis, A., & Schneider, L. (2016). Regional Migration, Growth and Convergence – A Spatial Dynamic Panel Model of Germany. *Regional Studies*, 50(11), 1789-1803.
- Madaha, R., & Wejnert, B. (2011). The Declining Health Status as Fuelled by Illusory Internal Migration in Sub-Saharan Africa: Is there Any Future?. Wejnert, B. (Ed.) *Democracies: Challenges to Societal Health (Research in Political Sociology, Vol. 19)*, Emerald Group Publishing Limited, Leeds, 133-159.
- Pereira, S., Snel, E., & 't Hart, M. (2015). Economic Progress, Stagnation, or Decline? Occupational Mobility of Non-Eu Immigrants in Europe. *Immigration and Work (Research in the Sociology of Work, Vol. 27)*, Emerald Group Publishing Limited, Leeds, 129-165.
- Petak, F. (2017). Migrants in Germany: Psychological Well-Being and Integration. Espinoza-Herold, M. & Contini, R. M. (Ed.) *Living in Two Homes*, Emerald Publishing Limited, Leeds, pp. 89-111.
- Shrestha, M. B. (2011). Reversing the flow of international migration. *International Journal of Social Economics*, 38(2), 165-176.

TPMS YAPILI BİOMEDİKAL İMPLANTIN TASARIMI VE SLM İLE ÜRETİMİ

Tolga MERAL

Bursa Uludağ University, Vocational School of Technical Sciences, Bursa, Turkey

ORCID ID: 0000-0002-4435-149X

Mustafa GÜNAY

Karabük University, Department of Mechanical Engineering, Karabük, Turkey

ORCID ID: 0000-0002-1281-1359

ÖZET

Eklemeli imalat (Eİ) teknolojilerinin hızla gelişmesiyle birlikte uzay-havacılık, otomotiv ve biyomedikal gibi birçok endüstriyel alanda yüksek dayanım/ağırlık oranına sahip parçaların üretimi artık mümkündür. Özellikle, lazer toz yatağı füzyonu teknolojileri ile biyouyumlu ve istenilen mekanik davranışı sergileyecek yapıda biyomedikal implantlar kolay ve hızlı bir şekilde üretilmektedir. Bu noktada, üçlü periyodik minimal yüzey (TPMS) kafes yapılarının üretilbilirlik ve kemik entegrasyonu açısından parametrik olmayan tasarımlara göre daha avantajlı olduğu bilinmektedir. Bu çalışmada, özel bir implant için Eİ yöntemlerinden seçici lazer ergitme (SLM) teknolojisi üretim parametrelerinin (lazer gücü, yana kayma mesafesi, tarama hızı) optimizasyonu amaçlanmıştır. Numune olarak kama tipi bir biyomedikal parça TPMS tabanlı birim hücre yapısında tasarlanmış ve üretim parametrelerinin farklı seviyeleri kullanılarak üretilmiştir. Taguchi L₉ dikey dizine göre gyroid birim hücre yapısına bağlı olarak %75 gözenek oranında Ti6Al4V malzemesinden toplam 9 adet implant üretilmiştir. Üretilen biyomedikal implanta standart basma testleri uygulanarak mekanik özellikler incelenmiş ve gerilme değerleri değerlendirilerek en uygun üretim parametreleri belirlenmiştir. Üretim parametrelerinin akma dayanımı üzerindeki etkileri varyans analizi (ANOVA) uygulanarak incelenmiştir. En uygun parametre seviyeleri, 700 mm/s tarama hızı, 210 W lazer gücü ve 0,08 mm yana kayma mesafesi olarak tespit edilmiştir. ANOVA sonuçlarına göre, performans kriteri üzerinde en etkili üretim parametresinin %61,51 etki oranıyla tarama hızı olduğu saptanmıştır. Diğer yandan, lazer gücü ve yana kayma mesafesinin etkileri sırasıyla %23,57 ve %14,28 olarak hesaplanmıştır.

Anahtar kelimeler: Ti6Al4V, Seçici lazer ergitme, Biyomedikal implant, Optimizasyon

DESIGN OF TPMS STRUCTURED BIOMEDICAL IMPLANT AND MANUFACTURING WITH SLM

ABSTRACT

With the rapid development of additive manufacturing (AM) technologies, it is now possible to produce parts with high strength/weight ratio in many industrial fields such as aerospace, automotive and biomedical. In particular, biomedical implants that are biocompatible and exhibit the desired mechanical behavior can be produced easily and quickly with laser powder bed fusion technologies. At this point, it is known that triple periodic minimal surface (TPMS) lattice structures are more advantageous than non-parametric designs in terms of manufacturability and bone integration. In this study, it was aimed to optimize the production parameters (laser power, lateral shift distance, scanning speed) of selective laser melting (SLM) technology, one of the AM methods, for a special implant. As a sample, a wedge-type biomedical part was designed in a TPMS-based unit cell structure and produced using different levels of production parameters. According to the Taguchi L9 vertical array, a total of 9 implants were produced from Ti6Al4V material with 75% porosity, depending on the gyroid unit cell structure. Mechanical properties were examined by applying standard compression tests to the produced biomedical implant, and the most appropriate production parameters were determined by evaluating the stress values. The effects of production parameters on yield strength were examined by applying analysis of variance (ANOVA). The most suitable parameter levels were determined as 700 mm/s scanning speed, 210 W laser power and 0.08 mm side shift distance. According to the ANOVA results, it was determined that the most effective production parameter on the performance criterion was scanning speed with an effect rate of 61.51%. On the other hand, the effects of laser power and hatch space were calculated as 23.57% and 14.28%, respectively.

Keywords: Ti6Al4V, Selective laser melting, Biomedical implant, Optimization

1. GİRİŞ

Eklemeli imalat kullanımının en önemli iki avantajı nihai üretim süresi ve maliyettir. Bu teknolojiyle, karmaşık unsurlu geometrilerin tasarlanması ve üretilmesi, çoklu bileşenlerin konsolidasyonu ve üretim performansında iyileştirmeler mümkündür (Sun et al., 2021). Son zamanlarda eklemeli imalat metodları uzay sanayi, otomotiv ve özellikle biyomedikal gibi birçok uygulama alanlarında etkinliğini artırmıştır. Eİ, son yıllarda büyük bir potansiyele sahip olmakla birlikte biyomedikal alanda etkinliğini artırmıştır. Eklemeli imalatın en yaygın kullanılan biyomedikal uygulamaları; anatomik modeller, kişiye özgü protez ve implantların

geliştirilmesi olarak söylenebilir. Eklemeli imalatın tıbbi alanda yaygın olarak kullanılması; biyouyumluluk, maliyet, geliştirilmiş üretkenlik, erişilebilirlik, kısa üretim süresi gibi birçok etkenden kaynaklanmaktadır (Kumar et al., 2021). Bu yöntemde, Stereolitografi (SLA), eriyik yığıma modeli (FDM), seçici lazer sinterleme (SLS) ve seçici lazer ergitme (SLM) yaygın kullanılan Eİ teknolojileridir. Son zamanlarda, bu teknolojilerden SLM yöntemi biyomedikal parça üretimi için sıklıkla kullanılmaktadır. Metal implantların ve vücut parçalarının mekanik özelliklerinin uyumsuzluğu nedeniyle, vücut içerisinde ikincil hataya sebebiyet veren gerilme kalkanı etkisi ortaya çıkabilmektedir. Bu problem, konvansiyonel üretim süreçleri ile üretilen tam yoğunluktaki bir implantın yüksek rijitliğinden kaynaklanmaktadır. Bu bağlamda, stres kalkanı etkisinin azaltılması ve implantın kemiğin mekanik özelliklerine uyum sağlaması 3D baskı tekniğinin geliştirilmesiyle mümkün hale gelmiştir. SLM teknolojisiyle karmaşık geometrideki gözenekli metal parçaları istenilen mekanik özellikte üretmek mümkündür. Bu teknolojide, toz boyutu, lazer gücü, tarama hızı, tarama stratejisi, toz yatağı sıcaklığı ve yana kayma mesafesi gibi çok sayıda üretim parametresi, üretilen parçaların yüzey morfolojisi ve mekanik özellikleri üzerinde değişikliklere neden olmaktadır. Bu bağlamda, en uygun üretim parametrelerinin uygulanması son derece önemlidir (Vignesh et al., 2021)(Bartolomeu et al., 2016)(Ilie et al., 2017).

Miranda vd., SLM'de lazer gücü, tarama hızı ve yana kayma mesafesinin sertlik, kayma dayanımı ve yoğunlaşma üzerindeki etkisini araştırmışlardır. Sabit yana kayma mesafesi ve tarama hızında lazer gücü arttığında kayma dayanımı, sertlik ve yoğunluğun arttığı tespit edilmiştir. Yana kayma mesafesi ve tarama hızının artmasıyla ele alındığında ise, tersine bir sonucun ortaya çıktığı tespit edilmiştir (Miranda et al., 2016). Enneti vd., yana kayma mesafesi ve tarama hızı gibi üretim parametrelerinin yoğunlaşma üzerindeki etkisini araştırmışlardır. Yoğunlaşmanın tarama hızı ve yana kayma mesafesinin azalmasıyla, açık bir şekilde arttığı tespit edilmiştir. İstatiksel analizler neticesinde, tarama hızının %75,7'lik bir oranla baskın bir değer olduğu hesaplanmış ve bu oran yana kayma mesafesi için %7,1 olarak belirlemiştir (Enneti et al., 2018). Pal vd., tarama hızının artmasıyla akma dayanımı, sertlik ve çekme dayanımının belirli bir noktaya kadar arttığı, daha sonrasında ise azaldığını tespit etmiştir. Araştırmacılar, yüksek tarama hızının toz yatağında düşük enerjiye neden olduğunu ve bunun da düşük derinliğe sahip bir eriyik havuzu oluşturduğunu tespit etmişlerdir (Pal et al., 2020). Wang vd., uygun bir lazer gücü artışıyla ve tarama hızının azalmasıyla yüzey pürüzlülüğün azaltılabileceği ve boyutsal hassasiyetin iyileştirilebileceğini ifade etmiştir. Lazer gücünün artmasıyla sertlik değerlerinin arttığı ve artan tarama hızı ile sertlik değerlerinin azaldığı tespit

edilmiştir. Çekme testlerinde, tarama hızının artmasıyla uzama oranının arttığı, lazer gücünün artışıyla da uzama oranının azaldığı belirtilmiştir (Wang et al., 2019). Dutt vd., mikro yapı ve mekanik özellik açısından SLM parametrelerinin büyük önem taşıdığını belirtmişlerdir. Bu noktada, lazer gücünün artması, yana kayma mesafesinin, katman kalınlığının ve tarama hızının azalmasıyla artan enerji girdisinin bağıl yoğunluğu arttırdığı ifade edilmiştir. Bağıl yoğunluğun azalmasında SLM üretim hatalarına sebebiyet veren topaklanma, çatlak oluşumu ve gözenekliliğin etkili olduğu belirtilmiştir (Dutt et al., 2023).

Literatür değerlendirildiğinde, biyouyumlu metal parçaların birim hücre yapısının tasarlanabilir olduğu ve tasarlanan kafes yapısına göre Eİ teknolojisiyle üretildiği görülmektedir. Bu çalışmada, gyroid birim hücre yapısında tasarlanan metalik bir implant Ti6Al4V alaşımından SLM tekniğiyle üretilmiştir. Taguchi L₉ deney tasarımına bağlı olarak SLM üretim parametrelerinin parça akma dayanımı üzerindeki etkisi araştırılmıştır.

2. MATERYAL VE METOT

2.1. Deney Malzemesi

Özellikle biyomedikal sektörde biyouyumluluğu sebebiyle tercih edilen Ti6Al4V malzemesi, çift fazlı yapıya sahip bir titanyum alaşımıdır. Bu çalışmada, SLM üretim parametreleri değiştirilerek Ti6Al4V (Grade 5) toz malzemesi kullanılarak basma deneyi numuneleri üretilmiştir. Grade 5 alaşımının partikül çapları 10-45 µm aralığında değişmekte olup, malzemenin kimyasal bileşimi Tablo 2.1’de verilmiştir. Ti6Al4V malzemenin çekme mukavemeti 950 MPa, akma mukavemeti 880 MPa, Young’s modülü 113,8 GPa, sertliği 36 HRC ve yoğunluğu ise 4,43 g/cm³ şeklindedir.

Tablo 2.1. Malzeme kimyasal bileşimi (%wt.)

C	O	N	H	Fe	Al	V	Ti
0,08	0,20	0,05	0,015	0,40	6,43	4	Kalan

2.2. İmplant Tasarımı

TPMS kafes yapılar, üretilebilirlik ve kemik bütünleşmesi açısından parametrik olmayan tasarımlara göre daha avantajlıdır. Bu yapılarda (Yan et al., 2014), birim hücre duvarlarının eğim açısı sürekli olarak değişmesiyle bir önceki katmanın sonraki katmanı destekleyerek üretilebilirliği iyileştirmektedir. Ayrıca, implant yüzeylerinin eğimli olmasının kemik içe büyümesinde önemli bir rol oynadığı ifade edilmiştir (Zadpoor, 2015). Bu bağlamda TPMS kafes yapıların, ortopedik uygulamalar içinde önemli bir seçim olduğu belirtilmiştir (Chen et

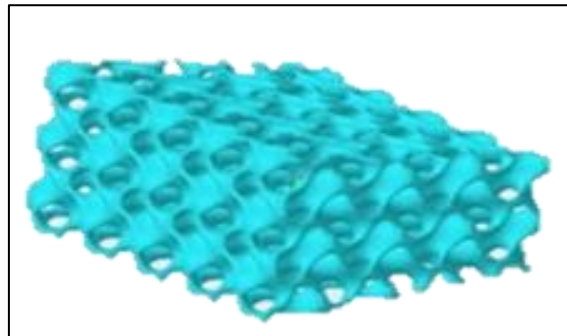
al., 2020). Bu nedenle, gözenekli kama tipi implant tasarımını oluşturacak olan birim hücre yapısı TPMS yapılardan gyroid birim hücre geometrisi olarak seçilmiştir.

SLM tekniğiyle karmaşık geometrideki hücresel yapılar üretilebilmektedir. Fakat SLM tekniğinin minimum üretilebilir çubuk çap ölçüsü ve çubuk açısı gibi bazı üretim sınırlarının olduğu belirtilmektedir (Leary et al., 2018). Bu noktada, minimum üretilebilir çubuk çap ölçüsünün ve açısının sırasıyla 0,3 mm ve 20° olması gerektiği ifade edilmiştir (Mazur et al., 2016). Bu bağlamda, implant tasarımında belirtilen üretim sınırları ve ticari bir implantın boyutları dikkate alınarak 3D tasarım yapılmıştır. Tablo 2.2’de birim hücre yapısı boyutları verilmiştir. Ayrıca, biyomedikal alan için tasarlanan kafes yapılar, akma dayanımı ve Young’s modülü açısından değerlendirilebilmesi için kısmi yoğunluğa bağlı olarak farklı gözenek oranlarında üretilmektedir. Literatür ışığında, metalik kafes yapılarının gözenek oranları genellikle %20-80 aralığında değişkenlik göstermektedir (Soro et al., 2019)(Arifvianto and Zhou, 2014). Bu bağlamda, literatür bilgileri dikkate alındığında gyroid birim hücre yapısından tasarlanan modelin gözenek oranı %75 olarak seçilmiştir.

Tablo 2.2. Birim hücre yapısının geometrik ölçüleri

(%)	Gyroid		
	<i>Duvar kalınlığı (mm)</i>	<i>Birim hücre büyüklüğü (mm)</i>	<i>Gözenek büyüklüğü (μm)</i>
75	0.65	6.80	980

Şekil 2.1’de %75 gözenek oranındaki gyroid birim hücre yapısında tasarlanan implant modeli gösterilmiştir.



Şekil 2.1. %75 gözenekli tasarlanan gyroid tabanlı model

2.3. Deney Tasarımı

Araştırmada, A- Tarama hızı (mm/s), B- Lazer gücü (W), C- Yana kayma mesafesi (mm) olmak üzere üç SLM parametresi seçilmiştir. Bu faktörlerin seviyeleri ise üretim yapan firmanın önerileri ve dikkate alınarak tespit edilmiştir. Taguchi L₉ dikey dizini kullanılarak deney

tasarımı gerçekleştirilmiştir. Tablo 2.3'te verilen parametrelere göre basma deneyi numuneleri üretilmiş ve akma dayanımına göre implant için optimum SLM parametreleri seçilmiştir.

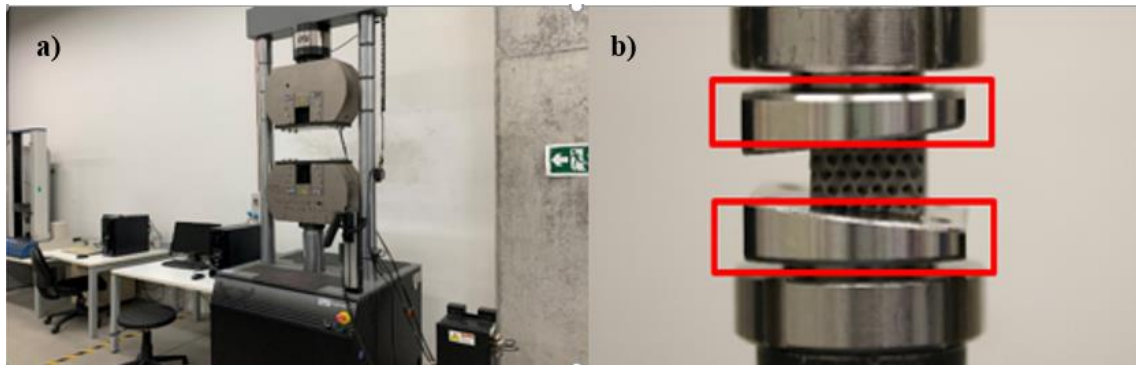
Tablo 2.3. Faktörler ve seviyeleri

Sembol	Faktörler	Seviye		
		1	2	3
A	Tarama hızı (mm/s)	700	900	1100
B	Lazer gücü (W)	170	190	210
C	Yana kayma mesafesi	0,08	0,1	0,12

Deneyel sonuçlara %95 güven aralığında varyans analizi (ANOVA) uygulanarak akma dayanımı ve gözenek büyüklüğü üzerindeki faktörlerin etki oranları belirlenmiş ve üretim optimizasyonu gerçekleştirilmiştir. Deney tasarımı ve varyans analizi Minitab16 yazılımı kullanılarak gerçekleştirilmiştir. Üretim sınırları dikkate alınarak tasarlanan modeller, eklemeli imalat bünyesinde var olan seçici lazer ergitme yöntemiyle üretilmiştir. Numuneler ERMAKSAN firması tarafından Envision 250 SLM cihazıyla üretilmiştir.

2.4. Deney Düzenegi

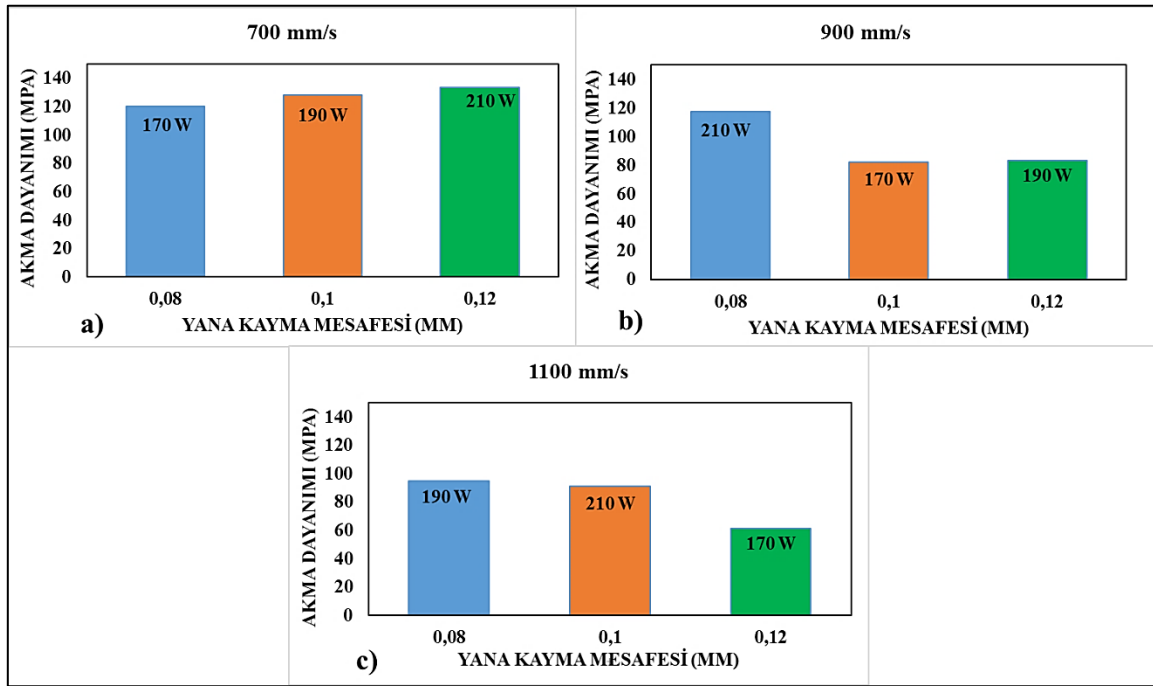
Deney tasarımına bağlı olarak SLM ile üretilen numunelerin ASTM F2077 standardına göre basma testi gerçekleştirilmiştir. Basma testleri, INSTRON marka 600LX model test cihazında yapılmıştır. Belirtilen standartta basma testinin gerçekleştirilebilmesi için üretimi yapılan kama tipi numunelerin üst ve alt kısımlarına, numune geometrisine uygun olacak şekilde iki adet aparat üretilmiştir. Test cihazı, numune ve üretilen aparatlar Şekil 2.2'de gösterilmiştir.



Şekil 2.2. a) Test cihazı, b) Üretilen aparatlar

3. SONUÇLAR VE DEĞERLENDİRME

SLM ile metal alaşımlı parçaların üretiminde lazer tarafından toza sağlanan ve enerji miktarını etkileyen lazer gücü, tarama hızı, yana kayma mesafesi ve katman kalınlığı gibi işlem parametreleri değiştirilerek üretilen parçanın mekanik özellikleri optimize edilebilmektedir (Jonkers et al., 2022)(Ergene, 2022). Basma testleri neticesinde, numunelerin akma dayanımları elde edilmiştir. Ortaya çıkan sonuçlara göre, lazer gücü, tarama hızı ve yana kayma mesafesinin mekanik özellikler üzerindeki etkileri incelenmiş ve en uygun üretim parametreleri ortaya çıkarılmıştır (Şekil 3.1).



Şekil 3.1. Akma dayanımı değerlerinin parametrelere göre değişimi

Şekil 3.1 incelendiğinde, sabit tarama hızı ve yana kayma mesafesinde lazer gücünün artmasıyla akma dayanımı değerlerinde artış olduğu tespit edilmiştir. Bu durumun, yüksek yoğunlaşma seviyesinin artması ve kalıntı gözenekliliğin bertaraf edilmesiyle ilişkili olduğu söylenmektedir (Miranda et al., 2016). Lazer gücünün mekanik özellikler üzerindeki etkisinin oldukça önemli olduğu ve üretim esnasında toz malzemeyi eritemeyecek yetersiz miktardaki lazer gücünün mekanik özellikleri olumsuz yönde etkilediği bilinmektedir. Lazer gücünün artmasıyla bir önceki katmanın yeniden ergimesi sağlanarak, eriyik havuzun daha homojen hal alması mekanik özellikleri olumlu yönde etkilemiştir. Ayrıca, lazer gücünün artmasıyla içyapıda poroz seviyelerinin indirgenmesi sağlanarak katmanlar arası bütünleşmenin gelişmesi ve buna bağlı olarak Young modulün arttığı söylenmektedir (Elsayed et al., 2019).

Sabit lazer gücü ve yana kayma mesafesinde tarama hızının artmasıyla akma dayanımı değerlerinde azalma olduğu tespit edilmiştir. Bu durum, belirlenen bölgeye saniyede ulaştırılan enerji yoğunluğunun azalması ve bu sebeple üretim esnasında bütünleşmenin tam olarak sağlanamamasına dayandırılmaktadır (Bartolomeu et al., 2016). Tarama hızının artmasıyla tozun yeterli ergime zamanının sağlanamaması ve katılma hızının azalmasıyla açıklanmaktadır. Yüksek tarama hızının, aşırı ısınma ve oksitlenme sonucu oluşan metal oksidinin metal yüzeyi ıslatamaması sonucu yüzey kusuru olarak bilinen ve katmanlar arasında kalarak iç yapı hatalarına sebebiyet veren topaklanma etkisini tetiklediği ve mekanik özellikleri kötü yönde etkilediği tespit edilmiştir (Hanzl et al., 2015).

Farklı yana kayma mesafeleri farklı ısı davranışlarına ve yüzey kalitelerine neden olabilmektedir. Yana kayma mesafesinin artmasıyla partiküllerin yetersiz ergimesi ve yüksek gözenek oranları ortaya çıkmaktadır (Matras, 2020). Şekil 3.1'e bakıldığında, sabit lazer gücü ve tarama hızında yana kayma mesafesinin artmasıyla akma dayanımı değerlerinde artış olduğu tespit edilmiştir. Yana kayma mesafesinin artmasıyla yetersiz bir ergime havuzunun meydana gelmesi ve buna bağlı olarak katmanlar arası zayıf bir bütünleşmenin tetiklenmesi mekanik özellikleri olumsuz bir şekilde etkilemektedir (Elsayed et al., 2019)(Hacısalıhoğlu et al., 2021). SLM ile üretilmiş numunelerde iç yapıdaki gözenek içeriğinin, artan lazer gücü, azalan tarama hızı ve yana kayma mesafesi ile tutarlı bir şekilde azaldığı belirtilmektedir (Elsayed et al., 2019). Tüm değerlendirmeler neticesinde, SLM ile tasarlanan implant üretimi için en uygun parametre seviyeleri A1B3C1 olarak bulunmuştur.

Seçici lazer ergitme yönteminde ana üretim parametreleri lazer gücü, tarama hızı, yana kayma mesafesi ve katman olarak bilinir ve bu parametrelere bağlı olarak enerji yoğunluğu belirlenerek nihai ürün oluşan eriyik havuz ile katman katman üretilmektedir. Fakat, belirtilen ana üretim parametreleri nihai ürünlerdeki arzu edilen mekanik özellikleri sağlayabilmesi de bir o kadar önemlidir (Kayacan et al., 2018). SLM ile üretilen nihai parçalarda, uygun olmayan üretim parametreleri kullanılması sonucu morfolojik açıdan olumsuzlukların meydana gelmesi, içyapıda gözenek oluşumu ve yetersiz ergime bölgelerinin oluşumu gibi üretim hataları baş gösterebilmektedir. Bu bağlamda, söz konusu parametrelerin optimize edilmesi son derece önemlidir (Li et al., 2021). Bu sebeple, üretim parametrelerinin akma dayanımı üzerindeki etki oranları ANOVA ile belirlenmiştir.

Tablo 3.1. Akma dayanımının S/N oranı için ANOVA sonuçları

Kaynak	SD	KT	KO	F	P	%PCR
A (mm/s)	2	24,3087	12,1543	96,66	0,010	61,51
B (W)	2	9,3180	4,6590	37,05	0,026	23,57
C (mm)	2	5,6426	2,8213	22,44	0,043	14,28
Hata	2	0,2515	0,1257			0,64
Toplam	8	39,5208				100

Değişkenlerin akma dayanımı üzerindeki etki oranlarını belirlemek için yapılan varyans analizi (ANOVA) sonuçları Tablo 3.1’de verilmiştir. Burada, her bir değişkenin sonuçlar üzerindeki anlamlılık düzeyini gösteren P değerleri ile serbestlik derecesi (SD), kareler toplamı (KT), kareler ortalaması (KO), F değerleri ve yüzde katkı oranları (PCR) görülmektedir. ANOVA tablosuna göre, $P < 0,05$ ise değişkenlerin akma dayanımı üzerindeki etkisinin istatistiksel olarak anlamlı olduğu kabul edilir (Günay, 2013). Akma dayanımı üzerindeki en önemli parametrenin %61,51 ile tarama hızı olduğu ortaya çıkmıştır. İkincil önemli parametrenin %23,57 ile lazer gücü olurken, yana kayma mesafesinin etki oranı %14,28 olarak bulunmuştur.

4. SONUÇLAR

Bu çalışmada, SLM üretim parametrelerinin (lazer gücü, yana kayma mesafesi ve tarama hızı) değişkenliğine bağlı olarak üretilen biyomedikal parça numunelerinin statik testler neticesinde mekanik özellikleri araştırılmış ve üretim parametreleri istatistiksel olarak değerlendirilerek en uygun üretim parametreleri belirlenmiştir. Elde edilen bulgular aşağıda sıralanmıştır:

- Basma testleri neticesinde akma dayanımı değerlerinin lazer gücünün artmasıyla arttığı, yana kayma mesafesi ve tarama hızının artmasıyla azaldığı tespit edilmiştir. En düşük ve en yüksek akma dayanımı değeri sırasıyla 61,57 MPa ve 133,74 MPa olarak belirlenmiştir.
- İstatistiksel analiz sonuçlarına göre, en uygun parametre seviyeleri 210 W lazer gücünde, 700 mm/s tarama hızında ve 0,08 mm yana kayma mesafesinde ortaya çıkmıştır.
- ANOVA sonuçlarına göre, akma dayanımı üzerindeki en etkili üretim parametresinin %61,51 etki oranıyla tarama hızı olduğu bulunmuştur. Lazer gücü ve yana kayma mesafesi için ise sırasıyla %23,57 ve %14,28 olarak bulunmuştur.
- SLM’de üretim sınırları dikkate alındığında, birim hücre yapılarının tasarlanabilir olduğu ve üretim parametrelerinin değişkenliğiyle en uygun parametre seviyelerinin bulunarak istenilen mekanik özelliklere ulaşmanın mümkün olduğu tespit edilmiştir.

KAYNAKÇA

- Arifvianto, B., Zhou, J., 2014. Fabrication of metallic biomedical scaffolds with the space holder method: A review. *Materials* 7, 3588–3622. <https://doi.org/10.3390/ma7053588>
- Bartolomeu, F., Faria, S., Carvalho, O., Pinto, E., Alves, N., Silva, F.S., Miranda, G., 2016. Predictive models for physical and mechanical properties of Ti6Al4V produced by Selective Laser Melting. *Materials Science and Engineering: A* 663, 181–192. <https://doi.org/10.1016/j.msea.2016.03.113>
- Chen, H., Han, Q., Wang, C., Liu, Y., Chen, B., Wang, J., 2020. Porous Scaffold Design for Additive Manufacturing in Orthopedics: A Review. *Frontiers in Bioengineering and Biotechnology* 8, 1–20. <https://doi.org/10.3389/fbioe.2020.00609>
- Dutt, A.K., Bansal, G.K., Tripathy, S., Gopala Krishna, K., Srivastava, V.C., Ghosh Chowdhury, S., 2023. Optimization of Selective Laser Melting (SLM) Additive Manufacturing Process Parameters of 316L Austenitic Stainless Steel. *Transactions of the Indian Institute of Metals* 76, 335–345. <https://doi.org/10.1007/s12666-022-02687-2>
- Elsayed, M., Ghazy, M., Youssef, Y., Essa, K., 2019. Optimization of SLM process parameters for Ti6Al4V medical implants. *Rapid Prototyping Journal* 25, 433–447. <https://doi.org/10.1108/RPJ-05-2018-0112>
- Enneti, R.K., Morgan, R., Atre, S. V., 2018. Effect of process parameters on the Selective Laser Melting (SLM) of tungsten. *International Journal of Refractory Metals and Hard Materials* 71, 315–319. <https://doi.org/10.1016/j.ijrmhm.2017.11.035>
- Ergene, B., 2022. Simulation of the production of Inconel 718 and Ti6Al4V biomedical parts with different relative densities by selective laser melting (SLM) method. *Journal of the Faculty of Engineering and Architecture of Gazi University* 37, 469–484. <https://doi.org/10.17341/GAZIMMFD.934143>
- Günay, M., 2013. Aisi 316L çeliğinin isellenmesinde takım radyüsü ve kesme parametrelerinin taguchi yöntemiyle optimizasyonu. *Journal of the Faculty of Engineering and Architecture of Gazi University* 28, 437–444.
- Hacısalihoğlu, I., Yıldız, F., Çelik, A., 2021. The effects of build orientation and hatch spacing on mechanical properties of medical Ti–6Al–4V alloy manufactured by selective laser melting. *Materials Science and Engineering: A* 802. <https://doi.org/10.1016/j.msea.2020.140649>
- Hanzl, P., Zetek, M., Bakša, T., Kroupa, T., 2015. The influence of processing parameters on the mechanical properties of SLM parts. *Procedia Engineering* 100, 1405–1413. <https://doi.org/10.1016/j.proeng.2015.01.510>
- Ilie, A., Ali, H., Mumtaz, K., 2017. In-Built Customised Mechanical Failure of 316L Components Fabricated Using Selective Laser Melting. *Technologies* 5, 9. <https://doi.org/10.3390/technologies5010009>
- Jonkers, N., van Dijk, W.J., Vonk, N.H., van Dommelen, J.A.W., Geers, M.G.D., 2022. Anisotropic mechanical properties of Selective Laser Sintered starch-based food. *Journal of Food Engineering* 318. <https://doi.org/10.1016/j.jfoodeng.2021.110890>
- Kayacan, M.C., Delikanlı, Y.E., Duman, B., Özsoy, K., 2018. Examining of mechanical properties of transitive (variable) porous specimens produced by SLS using ti6Al4v alloy powder. *Journal of the Faculty of Engineering and Architecture of Gazi University* 33, 127–143. <https://doi.org/10.17341/gazimmfd.406786>
- Kumar, R., Kumar, M., Chohan, J.S., 2021. The role of additive manufacturing for biomedical applications: A critical review. *Journal of Manufacturing Processes* 64, 828–850. <https://doi.org/10.1016/j.jmapro.2021.02.022>
- Leary, M., Mazur, M., Williams, H., Yang, E., Alghamdi, A., Lozanovski, B., Zhang, X., Shidid, D., Farahbod-Sternahl, L., Witt, G., Kelbassa, I., Choong, P., Qian, M., Brandt, M., 2018. Inconel 625 lattice structures manufactured by selective laser melting (SLM): Mechanical properties, deformation and failure modes. *Materials and Design* 157, 179–199. <https://doi.org/10.1016/j.matdes.2018.06.010>
- Li, J., Hu, J., Cao, L., Wang, S., Liu, H., Zhou, Q., 2021. Multi-objective process parameters optimization of SLM using the ensemble of metamodels. *Journal of Manufacturing Processes* 68, 198–209. <https://doi.org/10.1016/j.jmapro.2021.05.038>

- Matras, A., 2020. Research and optimization of surface roughness in milling of SLM semi-finished parts manufactured by using the different laser scanning speed. *Materials* 13, 1–10. <https://doi.org/10.3390/ma13010009>
- Mazur, M., Leary, M., Sun, S., Vcelka, M., Shidid, D., Brandt, M., 2016. Deformation and failure behaviour of Ti-6Al-4V lattice structures manufactured by selective laser melting (SLM). *International Journal of Advanced Manufacturing Technology* 84, 1391–1411. <https://doi.org/10.1007/s00170-015-7655-4>
- Miranda, G., Faria, S., Bartolomeu, F., Pinto, E., Madeira, S., Mateus, A., Carreira, P., Alves, N., Silva, F.S., Carvalho, O., 2016. Predictive models for physical and mechanical properties of 316L stainless steel produced by selective laser melting. *Materials Science and Engineering: A* 657, 43–56. <https://doi.org/10.1016/J.MSEA.2016.01.028>
- Pal, S., Lojen, G., Gubeljak, N., Kokol, V., Drstvensek, I., 2020. Melting, fusion and solidification behaviors of Ti-6Al-4V alloy in selective laser melting at different scanning speeds. *Rapid Prototyping Journal* 26, 1209–1215. <https://doi.org/10.1108/RPJ-07-2019-0206>
- Soro, N., Attar, H., Wu, X., Dargusch, M.S., 2019. Investigation of the structure and mechanical properties of additively manufactured Ti-6Al-4V biomedical scaffolds designed with a Schwartz primitive unit-cell. *Materials Science and Engineering A* 745, 195–202. <https://doi.org/10.1016/j.msea.2018.12.104>
- Sun, C., Wang, Y., McMurtrey, M.D., Jerred, N.D., Liou, F., Li, J., 2021. Additive manufacturing for energy: A review. *Applied Energy* 282. <https://doi.org/10.1016/j.apenergy.2020.116041>
- Vignesh, M., Ranjith Kumar, G., Sathishkumar, M., Manikandan, M., Rajyalakshmi, G., Ramanujam, R., Arivazhagan, N., 2021. Development of Biomedical Implants through Additive Manufacturing: A Review. *Journal of Materials Engineering and Performance* 30, 4735–4744. <https://doi.org/10.1007/s11665-021-05578-7>
- Wang, Z., Xiao, Z., Tse, Y., Huang, C., Zhang, W., 2019. Optimization of processing parameters and establishment of a relationship between microstructure and mechanical properties of SLM titanium alloy. *Optics and Laser Technology* 112, 159–167. <https://doi.org/10.1016/j.optlastec.2018.11.014>
- Yan, C., Hao, L., Hussein, A., Young, P., Raymont, D., 2014. Advanced lightweight 316L stainless steel cellular lattice structures fabricated via selective laser melting. *Materials and Design* 55, 533–541. <https://doi.org/10.1016/j.matdes.2013.10.027>
- Zadpoor, A.A., 2015. Bone tissue regeneration: The role of scaffold geometry. *Biomaterials Science* 3, 231–245. <https://doi.org/10.1039/c4bm00291a>

METALİK BİYOMEDİKAL UYGULAMALARIN EKLEMELİ İMALATINDA SON GELİŞMELER

Mustafa GÜNAY

Karabük University, Department of Mechanical Engineering, Karabük, Turkey

ORCID ID: 0000-0002-1281-1359

Mehmet Erdi KORKMAZ

Karabük University, Department of Mechanical Engineering, Karabük, Turkey

ORCID ID: 0000-0002-0481-6002

ÖZET

Bu çalışma, biyomedikal alanında metal eklemeli imalatın mevcut durumuna ve gelecekteki olası uygulamalarına genel bir bakış sunmaktadır. Karmaşık geometrilere sahip endüstriyel ürünlerin üç boyutlu (3D) tasarımını ve üretimini mümkün kılan eklemeli imalat (Eİ), son teknolojik gelişmelerle birlikte metalik biyomedikal parçalar için benzeri görülmemiş fırsatlar sunmaktadır. Metalik biyomedikal uygulamalarda, seçici lazer eritme veya doğrudan metal lazer sinterleme olarak da bilinen lazer toz yatağı füzyonu ve elektron ışınıyla eritme, yönlendirilmiş enerji biriktirme ve bağlayıcı püskürtme gibi Eİ teknolojileri kullanılmaktadır. Bu teknolojiler sayesinde, hastanın özel ihtiyaçlarına göre uyarlanmış benzersiz yapılar makrodan nanoya kadar farklı ölçeklerde oluşturabilmektedir. Çoğunlukla paslanmaz çelik, titanyum, kobalt, nikel-titanyum ve magnezyum bazlı alaşımlardan çeşitli cihazlar, cerrahi ekipmanlar, diş ve çeşitli kemik implantları üretilebilmektedir. Eİ’de, çeşitli CAD yazılımları ve gelişmiş görüntü işleme teknikleri ile hasarlı veya eksik bölgelerin modellenmesi ve tasarlanan yapının 3D baskısı şeklinde bir süreç işletilmektedir. Eİ, biyoyumluluğun yanı sıra hafif ve dayanıklı yapılar gerektiren uygulamalar için özelleştirilmiş belirli fonksiyonel ve mekanik özellikler sergileyen gözenekli yapılara veya biyomimetik yaklaşımlı modellemeye olanak sağlamaktadır. Diğer yandan, biyomedikal sektöründe Eİ teknolojilerinin üstün avantajlarına rağmen tasarımdan son ürüne kadar birçok sınırlılık veya zorluğun varlığını sürdürdüğü görülmektedir. Literatür araştırması sonucunda, metalik biyomedikal ürünler için tasarım, malzeme seçimi ve işleme parametrelerine yönelik çok az sayıda eklemeli imalat yöntemi prosedürü veya standardının geliştirildiği anlaşılmıştır.

Anahtar Kelimeler: Eklemeli imalat, Tasarım, Biyomedikal uygulamalar, 3D baskı, Zorluklar

RECENT DEVELOPMENTS IN ADDITIVE MANUFACTURING OF METALLIC BIOMEDICAL APPLICATIONS

ABSTRACT

This study provides an overview of the current status and possible future applications of metal additive manufacturing in the biomedical field. Additive manufacturing (AM), which enables the three-dimensional (3D) design and production of industrial products with complex geometries, offers unprecedented opportunities for metallic biomedical parts with the latest technological developments. In metallic biomedical applications, AM technologies such as laser powder bed fusion, also known as selective laser melting or direct metal laser sintering, and electron beam melting, directed energy deposition, and binder sputtering are used. Thanks to these technologies, unique structures adapted to the specific needs of the patient can be created at different scales, from macro to nano. Various devices, surgical equipment, teeth and various bone implants can be produced mostly from stainless steel, titanium, cobalt, nickel-titanium and magnesium-based alloys. In AM, a process of modeling damaged or missing areas and 3D printing of the designed structure is carried out using various CAD software and advanced image processing techniques. AM enables modeling with a biomimetic approach or porous structures that exhibit specific functional and mechanical properties customized for applications that require lightweight and durable structures as well as biocompatibility. On the other hand, despite the superior advantages of AM technologies in the biomedical sector, it seems that many limitations or challenges continue to exist from design to final product. As a result of the literature research, it was understood that very few additive manufacturing method procedures or standards have been developed for design, material selection and processing parameters for metallic biomedical products.

Keywords: Additive manufacturing, Design, Biomedical applications, 3D printing, Challenges

1. GİRİŞ

Son on yılda metal eklemeli imalat (Eİ) alanındaki gelişmeler biyomedikal alanında bir devrimi beraberinde getirdi. Bu atılımlar, cerrahi operasyonlar için kılavuzlar, doku mühendisliği için yapılar ve yük taşıyan implantlar gibi yeni klinik teknolojilerin yaratılması için benzersiz bir kazanç sağlamıştır (Dass and Moridi, 2019; Frazier, 2014; Mahmoud and Elbestawi, 2017; Yang et al., 2018). Metal Eİ yöntemlerinin çoğu, kullanıcı tanımlı bilgisayar destekli tasarım (CAD) modeline dayalı yapılar üretmek için yüksek bir enerji kaynağı (lazer, elektron ışını veya plazma) kullanılarak metalik bir besleme stokunun (toz, tel veya levha) sürekli eritilerek katman katman biriktirilmesine dayanır (Regenfuss et al., 2007). Eklemeli üretim, sahip olduğu doğal

katmanlı işlem sayesinde geleneksel çıkarma teknolojilerinin kullanımıyla elde edilemeyen karmaşık geometrilere sahip yapıların üretilmesini mümkün kılar. (de Jonge et al., 2019). Tasarım modifikasyonunun basitliği ve Eİ ile elde edilebilecek yapısal karmaşıklık nedeniyle ortopedi alanında henüz çözülmemiş sorunlara yeni bir çözüm bulmak mümkün olabilir. (Aktürk and Korkmaz, 2021; Korkmaz et al., 2022b; Özdemir and Korkmaz, 2023),(Winkler et al., 2018). Mevcut zorluklar arasında metalik implantların kemiğin yapısını ve mekanik özelliklerini taklit etmedeki başarısızlığı yer almaktadır. Bu durum ortopedik implantların stabilitesini, cihazların cerrahi yerleşimini etkileyen hatalı anatomik uyumu ve implantı çevreleyen kemiğin biyolojik fonksiyonunun sınırlı restorasyonu etkileyebilir. (Aragón and Pérez Méndez, 2016; Kamel et al., 2020; Moradiellos et al., 2017). Bu noktada, farklı eklemeli üretim teknolojilerinin sağladığı çeşitlilik ve yüksek çözünürlük sayesinde, hiyerarşik mikro yapılara ve her anatomik uygulamaya özel mekanik özelliklere sahip implantlar oluşturma fırsatı doğar (Van der Stok et al., 2013). Ek olarak implantlar bireysel olarak hastaya göre özelleştirilebilir ve fizyolojik süreçlerin restorasyonuna yardımcı olmak amacıyla gerekli biyomekanik reaksiyonları oluşturacak şekilde uyarlanabilir (Moradiellos et al., 2017). Bu çıktılar, solunum sisteminin genişletilmesi ve daraltılması amacıyla düzenlenmiş yer değiştirmeleri içerebilir. Seçici lazer eritme (SLM) ve elektron ışınıyla eritme (EBM), elmacık kemiği, parmak, diz, kalça, kraniofasiyal ve torasik implantların imalatında en sık kullanılan iki metal katmanlı üretim prosesidir (Moridi et al., 2019) (Ataee et al., 2017) (Rotaru et al., 2015), (Merkt et al., 2014), (Kamel et al., 2020). Eİ'nin faydaları ve çağdaş ortopediye yaptığı muazzam katkılar ve özelleştirilmiş mekanik ve fonksiyonel tepkilere sahip metalik malzemeler bu çalışmanın ana vurgusunu oluşturmaktadır. Ek olarak, biyolojik olarak parçalanabilen metallerin alaşımlarını kullanarak yenilikçi emilebilir implantlar geliştirme olasılığı da tartışılmaktadır. Özellikle biyomedikal ürün araştırması ve ticarileştirme alanlarında, eklemeli üretime yönelik son zamanlarda artan ilgi göz önüne alındığında, bu inceleme, biyomedikal endüstrisinde metalik Eİ'nin mevcut durumu ve gelecekteki potansiyel kullanımlarının bir özetini sunmaktadır.

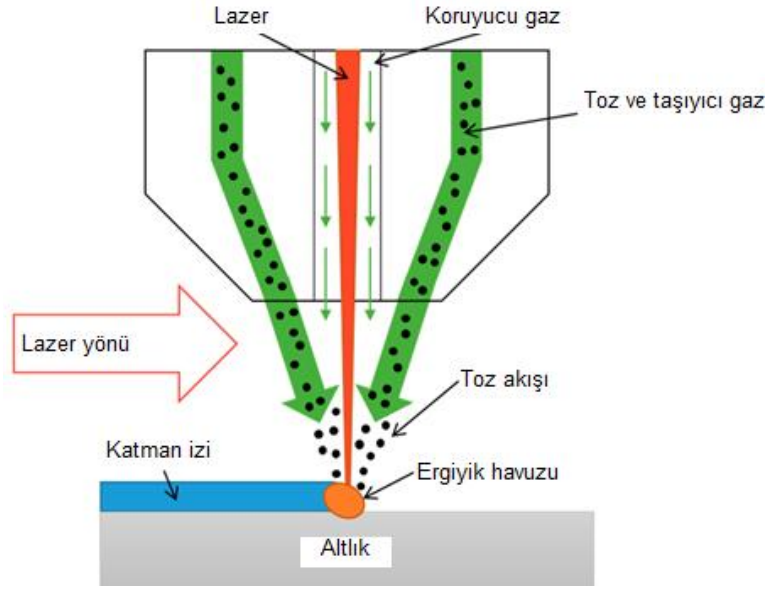
2. EKLEMELİ İMALAT TEKNOLOJİLERİ

Günümüzde, genellikle eklemeli üretim veya hızlı prototipleme olarak adlandırılan, 3D baskı (3DP) olarak bilinen devrim niteliğinde bir imalat teknolojisi, ticari ve araştırma amaçlı olarak kapsamlı bir şekilde incelenmektedir. 3DP, birçok uygulama için tozlardan nesnelere üretilme, imalat sınırlamalarının üstesinden gelme ve geleneksel yöntemlere göre daha karmaşık geometriler elde etme konusunda olağanüstü bir yetenek göstermiştir. (Moeinfar et al., 2022).

Eİ, geleneksel üretim yöntemlerinin aksine tasarımdan kuruluma kadar kolaylaştırılmış süreçlerin olağanüstü avantajına sahiptir. 3DP süreci verimliliği büyük ölçüde artıran birkaç aşamadan oluşur. Geleneksel yöntemde kaynak ve talaşlı imalat için nitelikli insan gücüne ihtiyaç duyulmakta, bu da işçilik maliyetlerinin artmasına neden olmaktadır. Bakım maliyeti ve makine giderleri genel üretim maliyetlerinin önemli bir unsurudur. 3DP tüm süreci iyileştirir ve gereksiz masrafları azaltır. (Kapil et al., 2017). Her bir iş parçasının bireysel gereksinimlerine bağlı olarak, çeşitli amaçlar için çeşitli 3DP işlemlerine halihazırda erişilebilmektedir. Toz yataklı füzyon (PBF), stereolitografi (SL), ergiyik biriktirme modelleme (FDM), lamine nesne imalatı (LOM), bağlayıcı püskürtme ve doğrudan enerji biriktirme (DED) modern 3DP için kullanılan ana Eİ teknolojileridir. (Moreno Madrid et al., 2019) (Heshmat and Abdelrhman, 2021), (Mekonnen et al., 2016), (Sing et al., 2020). Metalik biyomedikal parçaların üretiminde sıklıkla kullanılan Eİ teknolojileri aşağıda özetlenmiştir

2.1. Doğrudan Enerji Biriktirme

DED işlemi sırasında, toz veya tel gibi bir malzeme eritilirken aynı zamanda bir enerji kaynağı eklenir ve alt tabakanın belirli bir alanı üzerinde sıkı bir şekilde yoğunlaştırılır. Lazer ışını değiştikten sonra erimiş malzeme alt katmanlara aktarılır, onlarla birleştirilir ve sonunda katılaştırılır. (Chen and Frank, 2019). DED tekniği, besleme stoğunu biriktirmeden önce eriterek SLM'den farklılık gösterir, ancak metalleri eritmek için önemli ölçüde daha yüksek bir enerji seviyesine sahiptir ve bir toz yatağı kullanmaz. Bu yaklaşım, birkaç ekseninde çeşitli malzemelerin eşzamanlı olarak biriktirilmesine olanak tanır. DED, son işleme için geleneksel talaşlı imalat işlemlerine kolayca entegre edilerek hibrit üretime elverişlidir. Bu işlem genellikle havacılık endüstrisinde paslanmaz çelik, titanyum, alüminyum, Inconel ve benzeri alaşımlarla çalışmak için kullanılır. Ancak, SLM veya SLS'ye kıyasla daha düşük doğruluk (0,25 mm) ve yüzey kalitesine sahip daha basit ürünler üretebilir. DED, olağanüstü mekanik özellikler, gerekli mikro yapı ve hassas bileşim kontrolü sunarak üretim süresini ve maliyetlerini azaltır (Kim et al., 2021). Şekil 1'de DED işlemi şematik olarak gösterilmektedir.



Şekil 1. DED'in şematik görünümü (Cho et al., 2023)

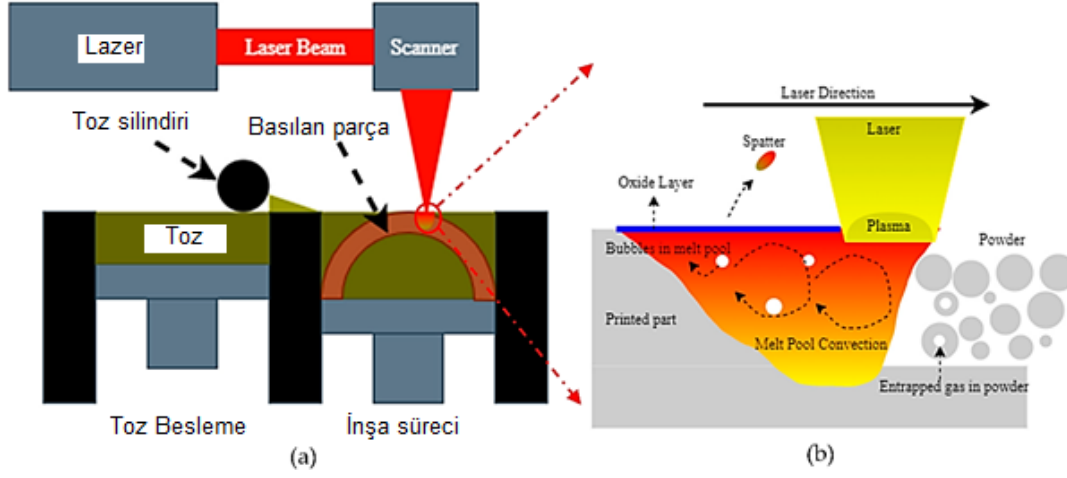
2.2. Toz Yataklı Füzyon

Toz yataklı füzyonda (PBF), toz parçacıklarını ısıtmak, kaynaştırmak ve eritmek için gereken termal enerjiyi üretmek üzere bir lazer veya elektron ışını kullanılır (Samei et al., 2021). Lazer teknolojisi, toz yataklı füzyon işlemlerinde yaygın olarak kullanılan birincil ısı kaynağıdır. PBF teknikleri arasında Seçici Lazer Eritme (SLM), Doğrudan Metal Lazer Sinterleme (DMLS), Seçici Lazer Sinterleme (SLS), Elektron Işınıyla Eritme (EBM) ve Seçici Isı Sinterleme (SHS) bulunur.

2.3. Seçici Lazer Eritme

Seçici lazer eritme, SLS ve EBM'ye benzer bir işlemdir ve en az bir ısı kaynağının uygulanmasıyla toz parçacıklarının füzyonunu kolaylaştırır (Korkmaz et al., 2022a). Bu teknikte, sıcaklık düştükçe malzeme katılır. Katı toz bileşen yapısal destek sağlarken erimiş malzeme nesneyi oluşturur. İşlem tamamlandıktan ve ürün oluşturulduktan sonra kalan toz çıkarılır. Toz katmanını şekillendirmek için lazer tarama kullanılırken, öğeyi üretmek için lazer enerjisi kullanılır (Wysocki et al., 2018). Şekil 2, SLM tekniğinde makine sistemini ve işlem sürecini göstermektedir (Yadav et al., 2020). Bu yöntemde nikel, alüminyum ve titanyum gibi metaller yaygın olarak kullanılmakta olup, genellikle metal malzemeler için SLS yaklaşımına tercih edilir. Ortopedik implantların ve yapıların geliştirilmesinde dikkate alınır. Çeşitli geometride yapılar ve ortopedik implantlar döküm, dövme ve işleme teknikleri kullanılarak

üretilmektedir. Bu noktada 3D baskı, geleneksel yöntemlerle elde edilemeyen içi boş yapılara sahip karmaşık ürünlerin üretilmesine olanak sağlar.



Şekil 2. SLM'nin şematik görünümü (Yadav et al., 2020)

2.4. Bağlayıcı Püskürtme

Bağlayıcı püskürtme, yüksek hacimli çıktısı nedeniyle eklemeli imalat alanında iyi bilinmektedir. Tüm katmanlı üretim yöntemleri arasında, karmaşık olmayan yapısı ve hızlı temposu nedeniyle tercih edilir (Nan et al., 2024). Bağlayıcı, nihai sonucu oluşturmak için kağıda benzeyen toz katmanlarını geçerken mürekkebe benzer şekilde hareket eder. Malzemeyi birlikte çıkarmak, eritmek veya birleştirmek için lazer veya nozül gibi tek bir nokta kullanan diğer birçok 3D baskı yönteminden farklıdır. Bu prosedürler, her bir bileşeni tek bir nokta kullanarak, katman katman titizlikle oluşturmak için önemli miktarda malzeme ve zamana ihtiyaç duyar. Bağlayıcı püskürtme, yüksek hızlar ve malzeme çok yönlülüğü sunarak geleneksel yüksek hacimli üretimde devrim yaratma potansiyeline sahip benzersiz bir 3D baskı işlemidir (Şekil 3) (Ravel et al., 2023).



Şekil 3. Bağlayıcı püskürtme adımları (Gerstler et al., 2023)

3. METALİK BİYOMEDİKAL UYGULAMALAR

3DP implantlar, geleneksel implant üretim yöntemlerine göre biyomekanik avantajlar sunmaktadır. Çeşitli çalışmalarda hücre çoğalmasının, hücre bağlanmasının ve osteointegrasyonun artmasının yararlı sonuçlar olduğu görülmüştür (da Costa Valente et al., 2021; Matsko and França, 2022). Biyo-ilhamlı yüzey gözenekliliğine sahip gözenekli Ti6Al4V üzerinde yürütülen bir araştırma, hücre mineralizasyonunun ve reaktivitesinin arttığını göstermiştir. Çalışma aynı zamanda, güçteki artışın mineralizasyon miktarına, kemik büyümesine ve iyileşen dokunun büyümesine bağlı olduğunu göstermiştir (Song et al., 2021). Amerika Birleşik Devletleri'ndeki Gıda ve İlaç İdaresi (FDA) gibi düzenleyici kurumlar, Ti6Al4V biyomalzemesi için herhangi bir tıbbi sorun bildirilmeden implantasyonu onayladı. SLS tarafından üretilen Ti alaşımının elastiklik özelliklerinin, diğer birçok mekanik ve klinik avantajın yanı sıra büyük ölçüde geliştiği bulunmuştur. Mevcut tüm klinik araştırmalara göre, 3DP titanyum implantlar hemen yerleştirmeye uygundur. Hızlı implantasyon, rehabilitasyon süresinin kısalması gibi avantajlar sunar ve ikinci bir cerrahi prosedür ihtiyacını ortadan kaldırır (Figliuzzi et al., 2022). Diğer yandan, kök analog implant (RAI) yöntemi olağanüstü sonuçlar verir, uygun maliyetli ve zaman açısından verimlidir. RAI implantları standart silindirik implantlara göre hem kesit alanı hem de uzunluk açısından daha büyüktür. Bu teknolojinin bir faydası, biyolojik ve mekanik özellikleri geliştirmek için birçok faktörü birleştirme kapasitesidir. Morfoloji, boyutlar, mekansal düzenleme, boş alanların miktarı ve gözeneklerin bağlantısı özellikleri değiştirebilir. İmplant gözenek boyutu ve gözenek bağlantısının kemik ve hücre büyümesinin düzenlenmesinde, hücre farklılaşmasında ve yapı özelliklerinin optimize edilmesinde çok önemli rolü vardır (Ramakrishnaiah et al., 2017), Gözenekler iyi bir şekilde

bağlandığında, fizyolojik sıvı iskeletonin içinden akarak kemik gelişimini teşvik edebilir. Gözeneklilik yüzdesi ve gözenek boyutu mekanik nitelikleri büyük ölçüde etkiler. Çeşitli çalışmalarda gözenek boyutu değişiminin 50-900 µm arasında değiştiği gösterilmiştir (Chakraborty et al., 2020). 3DP bir implantın gözenekliliği çeşitli bölümlere göre değişiklik gösterebilir; %50'si süngerimsi kemiği taklit edecek şekilde ve %26'sı kortikal kemiği taklit edecek şekilde tasarlanabilir (Song et al., 2021).

Araştırmalar, diş implantlarının etrafındaki yumuşak dokuların, yüzeyin mikro pürüzlülüğüne bağlı olarak farklı tepkiler verdiğini göstermektedir. Mikro/nano pürüzlülüğe sahip 3D baskılı implantın düzgün olmayan yüzeyleri, hücre tutunmasını ve hayatta kalmasını desteklemede çok önemli bir rol oynar. Bu, alveol kemiği ile ağız ortamı arasında koruyucu bir bariyer oluşturmaya yardımcı olarak peri-implantit olasılığını azaltır (Crenn et al., 2022). Ayrıca, sonlu elemanlar analizi (FEA) kullanarak 3DP ve geleneksel olarak yapılmış implantların karşılaştırması gerçekleştirilebilmektedir. Bir çalışma, verilen tedavinin yüzeyin topografik özelliklerini önemli ölçüde etkileyebileceğini ve Ti yüzeyleri üzerindeki bakteriyel yapışmayı ve biyofilm oluşumunu değiştirebileceğini gözlemledi. Mikro-nano topografik özellikler, hücre yapışması ve kemik mineralizasyonu için bir konakçı görevi görmeyen yanı sıra antibakteriyel özellikler de sağlayabilir (Maher et al., 2021).

4. SINIRLILIKLAR VE ZORLUKLAR

3DP tasarım süreci çeşitli yazılım programlarının kullanıldığı birkaç adımdan oluşur. Örneğin, bir hastanın çenesinin bilgisayarlı tomografi (CT) taramaları, özel ihtiyaçlara göre bir diş implantı modeli oluşturmak için kullanılır. Bu, kırık dişlerin veya mevcut tomografi taramalarının DICOM formatındaki dosyalarını içeren veritabanlarının kullanılmasını içerir (Balamurugan and Selvakumar, 2021; Barbin et al., 2020). Ancak sonraki aşamalar, görüntü yeniden yapılandırması için taramayı başlatmaya, daha fazla tasarım değişikliği uygulamaya, FEA gerçekleştirmeye ve yazdırma sürecine odaklanır. Dişlerin düzensiz şekli ve kıvrımı nedeniyle modifikasyonlar zor olabilir (Zong et al., 2020). Prosedürün tamamı zahmetlidir ve pahalı yazılım lisansı gerektirir. Tasarım sorunlarının daha sonra çözülmesine rağmen, oluşturulan implantların kemiğe yerleştirilmesi CT tarama verilerindeki yanlışlıklar nedeniyle hala zordur (Li et al., 2021; Pesode et al., 2023).

İmplant yüzey kimyasının ve parçacık boyutu dağılımının osteointegrasyonu etkilediği bilinmektedir. Hücre gelişimi için SLM yöntemi kullanılarak üretilen Ti6Al4V'nin biyouyumluluğunun çeşitli deneyler yapılarak değerlendirilmesi çok önemlidir (Crenn et al.,

2022). İmalat yaparken, kullanılan toza göre uygun basınç, sıcaklık ve sinterleme süresinin dar sınırlar içerisinde seçilmesi çok önemlidir. Üretim süreci boyunca yapılan küçük teknolojik ayarlamalar, bükülme ve gerilme mukavemetini önemli ölçüde etkileyerek bunları iki kattan fazla artırabilir. Malzemenin katmanlı olarak birikmesinin, implantların yorulma ömrünü azalttığı ve yorulma kırılmalarına sebep olabilecek farklı yüzey kaplamalarına sahip plaka benzeri yapıların oluşmasına yol açtığı bulunmuştur (Crenn et al., 2022).

Yüksek lazer enerjisi yoğunluğu metal tozunu eritebilir ve bu da biriken katmanların ardından kaba ve kırılğan bir görünüm oluşmasına neden olur. Düşük enerji yoğunluğuna sahip bir lazer, metali eriterek potansiyel olarak implantın bağlanma gücünü azaltır ve numunenin performansını etkiler. Yüksek lazer enerjisi yoğunluğu, artan erime alanı nedeniyle eğim açısından bağımsız olarak bir numunenin yüzey pürüzlülüğünü azaltabilir. Çoğu araştırma, implantın temizlenmesinin üretim sürecinin çok önemli bir yönü olduğunu göstermiştir. Çeşitli çözeltilerde yıkama ve titreşimin kullanılmasıyla gevşek titanyum parçacıklarının temizlenebileceği vurgulanmıştır. İmplantlarda, gerilme konsantrasyonu sorunlarını gidermek için cilalama önerilmekte olup, bu işlem gelişmiş hücre biyoyumluluğu sağlamaktadır. Son işlemenin, hücre yapışmasını ve çoğalmasını artırması ve katmanlı olarak üretilen parçaların çoğunda çarpıklık etkilerini en aza indireceğinden bahsedilmektedir (Liang et al., 2020).

Eİ teknikleri makro ölçekte büyük ilerleme kaydetmiş ve bu ölçekli Eİ'nin endüstriyel uygulamalarına yönelik prosedürler hakkında ASTM 52910-17 standardı vardır. Ancak, mikro/nano ölçekli Eİ nispeten yeni bir uygulama alanı olup, mikro/nano ölçekte karmaşık parçalar oluşturmak için makro ölçekli takım ve cihazlar hâlâ kullanılmaktadır. Mikro ve daha düşük ölçeklerde Eİ uygulamaları, özellik boyutları, metal olmayanlar, seramikler, kompozitler gibi alternatif malzemelerin eklenmesi ve yüzey kalitesinin iyileştirilmesi gibi kısıtlamalar içermektedir.

5. SONUÇLAR VE ÖNERİLER

- İnsan vücudundaki hücre fonksiyonu için güvenli ve elverişli bir ortam yaratmak için implantların biyoyumlu olması gerekir. Bir implantın doğal kemikle uyumlu olabilmesi için uygun bir elastik modüle sahip olması gerekmekte olup, bunun için eklemeli üretim uygun bir çözümdür.
- Araştırmalar, iyi yapılandırılmış gözenekli mimarinin, kemik oluşumu ve yenilenmesi için çok önemli olan yapışma ve çoğalma gibi hücre fonksiyonlarını iyileştirdiğini

ortaya çıkarmıştır. Eİ teknolojisi, düzenlenmiş gözenekliliğe sahip biyomedikal implantların üretilmesi için gereklidir. Bu bağlamda, toz yatağı füzyon yönteminin SLS ve SLM teknolojileri biyomedikal araştırmalar için daha elverişlidir.

- Düzenleyici standartlar ve kılavuzlar, farklı üreticiler tarafından üretilen hastaya özel implantların ve son işleme yöntemlerin güvenilirliğini ve tekrarlanabilirliğini sağlamak için çok önemlidir. Eklemeli imalatın doğası, benzersiz imalat süreci nedeniyle imalat kalite güvencesi için düzenleyici standartların ve kriterlerin karşılanmasını zorlaştırmaktadır.
- Metalik implantların üretimi, hastaya özel tıbbi cihazların yapımında kullanıldığında açık avantajlar göstermiştir. Düzenleyici standartları takip ederken bu gelişmelerin klinik uygulamaya uyarlanmasının fizibilitesinin dikkate alınması önemlidir.
- Mevcut zorlukları etkili bir şekilde ele almak için biyomateryaller, hastaya özel implant tasarımı, yüzey işlevselleştirme, biyoişlevselleştirme, biyokimyasal özellikler ve uzun vadeli kemik modellemesi için protezlerin uyarlanması gibi farklı araştırma alanlarının entegre edilmesine odaklanmak Eİ'nin geleceği açısından çok önemlidir.

KAYNAKÇA

- Aktürk, M., Korkmaz, M.E., 2021. A Review on Determination of Material Constitutive Parameters of Aluminum Alloys Produced by Additive Manufacturing Method. *Manufacturing Technologies and Applications* 2, 49–60.
- Aragón, J., Pérez Méndez, I., 2016. Dynamic 3D printed titanium copy prosthesis: a novel design for large chest wall resection and reconstruction. *Journal of Thoracic Disease* 8, E385–E389. <https://doi.org/10.21037/jtd.2016.03.94>
- Ataee, A., Li, Y., Song, G., Wen, C., 2017. Metal scaffolds processed by electron beam melting for biomedical applications, in: *Metallic Foam Bone*. Elsevier, pp. 83–110. <https://doi.org/10.1016/B978-0-08-101289-5.00003-2>
- Balamurugan, P., Selvakumar, N., 2021. Development of patient specific dental implant using 3D printing. *Journal of Ambient Intelligence and Humanized Computing* 12, 3549–3558. <https://doi.org/10.1007/s12652-020-02758-6>
- Barbin, T., Velôso, D.V., Del Rio Silva, L., Borges, G.A., Presotto, A.G.C., Barão, V.A.R., Mesquita, M.F., 2020. 3D metal printing in dentistry: An in vitro biomechanical comparative study of two additive manufacturing technologies for full-arch implant-supported prostheses. *Journal of the Mechanical Behavior of Biomedical Materials* 108, 103821. <https://doi.org/10.1016/j.jmbbm.2020.103821>
- Chakraborty, A., Datta, P., Majumder, S., Mondal, S.C., Roychowdhury, A., 2020. Finite element and experimental analysis to select patient's bone condition specific porous dental implant, fabricated using additive manufacturing. *Computers in Biology and Medicine* 124, 103839. <https://doi.org/10.1016/j.combiomed.2020.103839>
- Chen, N., Frank, M., 2019. Process planning for hybrid additive and subtractive manufacturing to integrate machining and directed energy deposition. *Procedia Manufacturing* 34, 205–213. <https://doi.org/https://doi.org/10.1016/j.promfg.2019.06.140>

- Cho, K.T., Nunez, L., Shelton, J., Sciammarella, F., 2023. Investigation of Effect of Processing Parameters for Direct Energy Deposition Additive Manufacturing Technologies. *Journal of Manufacturing and Materials Processing* 7, 105. <https://doi.org/10.3390/jmmp7030105>
- Crenn, M., Benoit, A., Rohman, G., Guilbert, T., Fromentin, O., Attal, J., Bardet, C., 2022. Selective Laser Melted Titanium Alloy for Transgingival Components: Influence of Surface Condition on Fibroblast Cell Behavior. *Journal of Prosthodontics* 31, 50–58. <https://doi.org/10.1111/jopr.13347>
- da Costa Valente, M.L., de Oliveira, T.T., Kreve, S., Batalha, R.L., de Oliveira, D.P., Pauly, S., Bolfarini, C., Bachmann, L., dos Reis, A.C., 2021. Analysis of the mechanical and physicochemical properties of Ti-6Al-4V discs obtained by selective laser melting and subtractive manufacturing method. *Journal of Biomedical Materials Research Part B: Applied Biomaterials* 109, 420–427. <https://doi.org/10.1002/jbm.b.34710>
- Dass, A., Moridi, A., 2019. State of the Art in Directed Energy Deposition: From Additive Manufacturing to Materials Design. *Coatings* 9, 418. <https://doi.org/10.3390/coatings9070418>
- de Jonge, C., Kolken, H., Zadpoor, A., 2019. Non-Auxetic Mechanical Metamaterials. *Materials* 12, 635. <https://doi.org/10.3390/ma12040635>
- Figliuzzi, M.M., Aiello, D., Rengo, C., Parentela, L., Mangano, C., 2022. 10-Year Evaluation of the First Root Analogue Implant on Humans, Made Using a CT Scan, CAD/CAM and DMLS. *Biomimetics* 7, 32. <https://doi.org/10.3390/biomimetics7010032>
- Frazier, W.E., 2014. Metal Additive Manufacturing: A Review. *Journal of Materials Engineering and Performance* 23, 1917–1928. <https://doi.org/10.1007/s11665-014-0958-z>
- Gerstler, W.D., Barua, A., Huang, S., Erno, D.J., Wang, Y., Ju, S., Thiagarajan, N., 2023. Binder Jet Additive Manufacturing Process and Material Characterization for High Temperature Heat Exchangers Used in Concentrated Solar Power Applications. *Metals* 13, 617. <https://doi.org/10.3390/met13030617>
- Heshmat, M., Abdelrhman, Y., 2021. Improving surface roughness of polylactic acid (PLA) products manufactured by 3D printing using a novel slurry impact technique. *Rapid Prototyping Journal ahead-of-p.* <https://doi.org/10.1108/RPJ-09-2020-0227>
- Kamel, M.K., Cheng, A., Vaughan, B., Stiles, B., Altorki, N., Spector, J.A., Port, J.L., 2020. Sternal Reconstruction Using Customized 3D-Printed Titanium Implants. *The Annals of Thoracic Surgery* 109, e411–e414. <https://doi.org/10.1016/j.athoracsur.2019.09.087>
- Kapil, S., Legesse, F., Kumar, R., Karunakaran, K.P., 2017. Hybrid Layered Manufacturing of Turbine Blades. *Materials Today: Proceedings* 4, 8837–8847. <https://doi.org/https://doi.org/10.1016/j.matpr.2017.07.234>
- Kim, E.-J., Lee, C.-M., Kim, D.-H., 2021. The effect of post-processing operations on mechanical characteristics of 304L stainless steel fabricated using laser additive manufacturing. *Journal of Materials Research and Technology* 15, 1370–1381. <https://doi.org/https://doi.org/10.1016/j.jmrt.2021.08.142>
- Korkmaz, M.E., Gupta, M.K., Waqar, S., Kuntoğlu, M., Krolczyk, G.M., Maruda, R.W., Pimenov, D.Y., 2022a. A short review on thermal treatments of Titanium & Nickel based alloys processed by selective laser melting. *Journal of Materials Research and Technology* 16, 1090–1101. <https://doi.org/https://doi.org/10.1016/j.jmrt.2021.12.061>
- Korkmaz, M.E., Waqar, S., Garcia-Collado, A., Gupta, M.K., Krolczyk, G.M., 2022b. A technical overview of metallic parts in hybrid additive manufacturing industry. *Journal of Materials Research and Technology* 18, 384–395. <https://doi.org/10.1016/j.jmrt.2022.02.085>
- Li, X.C., He, L., Zhang, J.W., Misra, R.D.K., Liu, S.L., Xiong, Z.H., Tang, Z.H., 2021. Additive manufacturing of dental root-analogue implant with desired properties. *Materials Technology* 36, 894–906. <https://doi.org/10.1080/10667857.2020.1859054>
- Liang, C., Hu, Y., Liu, N., Zou, X., Wang, H., Zhang, X., Fu, Y., Hu, J., 2020. Laser Polishing of Ti6Al4V Fabricated by Selective Laser Melting. *Metals* 10, 191. <https://doi.org/10.3390/met10020191>
- Maher, S., Wijenayaka, A.R., Lima-Marques, L., Yang, D., Atkins, G.J., Losic, D., 2021. Advancing of Additive-Manufactured Titanium Implants with Bioinspired Micro- to Nanotopographies. *ACS Biomaterials Science & Engineering* 7, 441–450. <https://doi.org/10.1021/acsbiomaterials.0c01210>
- Mahmoud, D., Elbestawi, M., 2017. Lattice Structures and Functionally Graded Materials Applications in Additive Manufacturing of Orthopedic Implants: A Review. *Journal of Manufacturing and Materials Processing* 1, 13. <https://doi.org/10.3390/jmmp1020013>

- Matsko, A., França, R., 2022. Design, manufacturing and clinical outcomes for additively manufactured titanium dental implants: A systematic review. *Dentistry Review* 2, 100041. <https://doi.org/10.1016/j.dentre.2022.100041>
- Mekonnen, B.G., Bright, G., Walker, A., 2016. A study on state of the art technology of laminated object manufacturing (LOM), in: *CAD/CAM, Robotics and Factories of the Future: Proceedings of the 28th International Conference on CARs & FoF 2016*. Springer, pp. 207–216.
- Merkt, S., Kleyer, A., Hueber, A.J., 2014. The Additive Manufacture of Patient-tailored Finger Implants. *Laser Technik Journal* 11, 54–56. <https://doi.org/10.1002/latj.201400029>
- Moeinfar, K., Khodabakhshi, F., Kashani-bozorg, S.F., Mohammadi, M., Gerlich, A.P., 2022. A review on metallurgical aspects of laser additive manufacturing (LAM): Stainless steels, nickel superalloys, and titanium alloys. *Journal of Materials Research and Technology* 16, 1029–1068. <https://doi.org/https://doi.org/10.1016/j.jmrt.2021.12.039>
- Moradiellos, J., Amor, S., Córdoba, M., Rocco, G., Vidal, M., Varela, A., 2017. Functional Chest Wall Reconstruction With a Biomechanical Three-Dimensionally Printed Implant. *The Annals of Thoracic Surgery* 103, e389–e391. <https://doi.org/10.1016/j.athoracsur.2016.11.048>
- Moreno Madrid, A.P., Vrech, S.M., Sanchez, M.A., Rodriguez, A.P., 2019. Advances in additive manufacturing for bone tissue engineering scaffolds. *Materials Science and Engineering: C* 100, 631–644. <https://doi.org/https://doi.org/10.1016/j.msec.2019.03.037>
- Moridi, A., Demir, A.G., Caprio, L., Hart, A.J., Previtali, B., Colosimo, B.M., 2019. Deformation and failure mechanisms of Ti–6Al–4V as built by selective laser melting. *Materials Science and Engineering A*. <https://doi.org/10.1016/j.msea.2019.138456>
- Nan, W., Pasha, M., Zafar, U., Nadimi, S., Goh, W.P., Ghadiri, M., 2024. Characterisation of gas-atomised metal powders used in binder jet 3D printing. *Powder Technology* 436, 119471. <https://doi.org/10.1016/j.powtec.2024.119471>
- Özdemir, M.T., Korkmaz, M.E., 2023. A Short and Technical Review on Lattice Structures Produced by Additive Manufacturing. *Prabha Materials Science Letters* 2, 48–61. <https://doi.org/10.33889/PMSL.2023.2.1.005>
- Pesode, P., Barve, S., Wankhede, S. V., Jadhav, D.R., Pawar, S.K., 2023. Titanium alloy selection for biomedical application using weighted sum model methodology. *Materials Today: Proceedings* 72, 724–728. <https://doi.org/10.1016/j.matpr.2022.08.494>
- Ramakrishnaiah, R., Al kheraif, A.A., Mohammad, A., Divakar, D.D., Kotha, S.B., Celur, S.L., Hashem, M.I., Vallittu, P.K., Rehman, I.U., 2017. Preliminary fabrication and characterization of electron beam melted Ti–6Al–4V customized dental implant. *Saudi Journal of Biological Sciences* 24, 787–796. <https://doi.org/10.1016/j.sjbs.2016.05.001>
- Ravel, R., Pucci, M.F., Divin, S., Verquin, B., Reynaud, C., Bruchon, J., Liotier, P.-J., 2023. Combining experiments and modelling to predict the competition between liquid spreading and impregnation in porous media for Metal Binder Jetting applications. *Colloids and Surfaces A: Physicochemical and Engineering Aspects* 666, 131347. <https://doi.org/10.1016/j.colsurfa.2023.131347>
- Regenfuss, P., Streek, A., Hartwig, L., Klötzer, S., Brabant, T., Horn, M., Ebert, R., Exner, H., 2007. Principles of laser micro sintering. *Rapid Prototyping Journal* 13, 204–212. <https://doi.org/10.1108/13552540710776151>
- Rotaru, H., Schumacher, R., Kim, S.-G., Dinu, C., 2015. Selective laser melted titanium implants: a new technique for the reconstruction of extensive zygomatic complex defects. *Maxillofacial Plastic and Reconstructive Surgery* 37, 1. <https://doi.org/10.1186/s40902-015-0001-9>
- Samei, J., Asgari, H., Pelligra, C., Sanjari, M., Salavati, S., Shahriari, A., Amirmaleki, M., Jahanbakht, M., Hadadzadeh, A., Amirkhiz, B.S., Mohammadi, M., 2021. A hybrid additively manufactured martensitic-maraging stainless steel with superior strength and corrosion resistance for plastic injection molding dies. *Additive Manufacturing* 45, 102068. <https://doi.org/https://doi.org/10.1016/j.addma.2021.102068>
- Sing, S.L., Tey, C.F., Tan, J.H.K., Huang, S., Yeong, W.Y., 2020. 2 - 3D printing of metals in rapid prototyping of biomaterials: Techniques in additive manufacturing, in: *Narayan, R.B.T.-R.P. of B. (Second E. (Ed.), Woodhead Publishing Series in Biomaterials*. Woodhead Publishing, pp. 17–40. <https://doi.org/https://doi.org/10.1016/B978-0-08-102663-2.00002-2>

- Song, K., Wang, Z., Lan, J., Ma, S., 2021. Porous structure design and mechanical behavior analysis based on TPMS for customized root analogue implant. *Journal of the Mechanical Behavior of Biomedical Materials* 115, 104222. <https://doi.org/10.1016/j.jmbbm.2020.104222>
- Van der Stok, J., Van der Jagt, O.P., Amin Yavari, S., De Haas, M.F.P., Waarsing, J.H., Jahr, H., Van Lieshout, E.M.M., Patka, P., Verhaar, J.A.N., Zadpoor, A.A., Weinans, H., 2013. Selective laser melting-produced porous titanium scaffolds regenerate bone in critical size cortical bone defects. *Journal of Orthopaedic Research* 31, 792–799. <https://doi.org/10.1002/jor.22293>
- Winkler, T., Sass, F.A., Duda, G.N., Schmidt-Bleek, K., 2018. A review of biomaterials in bone defect healing, remaining shortcomings and future opportunities for bone tissue engineering. *Bone & Joint Research* 7, 232–243. <https://doi.org/10.1302/2046-3758.73.BJR-2017-0270.R1>
- Wysocki, B., Idaszek, J., Zdunek, J., Roźniatowski, K., Pisarek, M., Yamamoto, A., Świąszkowski, W., 2018. The Influence of Selective Laser Melting (SLM) Process Parameters on In-Vitro Cell Response. *International Journal of Molecular Sciences* 19, 1619. <https://doi.org/10.3390/ijms19061619>
- Yadav, P., Rigo, O., Arvieu, C., Le Guen, E., Lacoste, E., 2020. In Situ Monitoring Systems of The SLM Process: On the Need to Develop Machine Learning Models for Data Processing. *Crystals* 10, 524. <https://doi.org/10.3390/cryst10060524>
- Yang, Y., Wang, G., Liang, H., Gao, C., Peng, S., Shen, L., Shuai, C., 2018. Additive manufacturing of bone scaffolds. *International Journal of Bioprinting* 5, 148. <https://doi.org/10.18063/ijb.v5i1.148>
- Zong, W., Zhang, S., Zhang, C., Ren, L., Wang, Q., 2020. Design and characterization of selective laser-melted Ti6Al4V–5Cu alloy for dental implants. *Materials and Corrosion* 71, 1697–1710. <https://doi.org/10.1002/maco.202011650>

EVLİ VE BEKAR BİREYLERİN DEPREM STRESİYLE BAŞA ÇIKMA VE PSİKOLOJİK İYİ OLUŞLARININ KARŞILAŞTIRILMASI

Derya ATALAY

Bilm. Uzm. Öğr. Gör., Iğdır Üniversitesi Çocuk Gelişimi Bölümü
Science Specialist Lecturer Assist., Iğdır University Child Development Department
ORCID ID: 0000-0001-9043-0407

Arzu ÖZYÜREK

Prof. Dr., Karabük Üniversitesi Sağlık Bilimleri Fakültesi Çocuk Gelişimi Bölümü
Prof. Dr., Karabük University, Faculty of Health Sciences, Department of Child
ORCID ID: 0000-0002-3083-7202

ÖZET

Doğal afetlerin, insanların yaşamlarına olumsuz etkileri oldukça ciddi düzeyde olmaktadır. Yaşanan can kayıpları ve ekonomik kayıplarla orantılı olmak birlikte kişisel bazı özellikler de ortaya çıkan olumsuzluklar üzerinde etkili olabilmektedir. Türkiye’de çok geniş bir bölgeyi etkileyen 2023 yılında, Kahramanmaraş bölgesinde yaşanan deprem tüm ülkeyi derinden etkilemiştir. Çok sayıda can kaybı ve yıkım yaşanmıştır. Maddi kayıpların karşılanmasına çalışılsa da depremin etkileri halen devam etmektedir. Bu çalışmada evli ve bekar kadın ve erkeklerin deprem stresiyle başa çıkma durumları ve psikolojik iyi oluşları incelenmiştir. Çalışma grubunu amaçlı ve kotalı örnekleme yöntemiyle belirlenen 100 kadın ve 100 erkek olmak üzere depremzede 200 kişi oluşturmuştur. Verilerin sosyal ağlar aracılığıyla toplandığı çalışmada, verilerin toplanmasında Deprem Stresiyle Başa Çıkma Ölçeği ve Psikolojik Sağlık Ölçeği kullanılmıştır. Verilerin analizinde normallik dağılımı dikkate alınarak parametrik olmayan testlerden Mann Whitney U testi ve Spearman Brown Korelasyon analizi kullanılmıştır. Sonuç hem bekar hem de evli bireylerin cinsiyeti ile deprem stresiyle başa çıkma stratejileri ve psikolojik iyi oluşları arasında anlamlı bir fark olmadığı belirlenmiştir. Ayrıca depremzede evli bireylerin deprem stresiyle başa çıkma ve psikolojik iyi oluşlarının çocuk sayısına göre farklılık göstermediği belirlenmiştir. Evli ve bekar bireylerin deprem stresiyle başa çıkma stratejileriyle psikolojik iyi oluşları arasında anlamlı bir ilişki olduğu, her iki grupta da bireylerin deprem stresiyle olumlu başa çıkma stratejileri arttıkça psikolojik iyi oluşlarının da arttığı, bir başka ifadeyle psikolojik iyi oluş düzeyi arttıkça deprem stresiyle olumlu başa çıkma stratejilerinin de arttığı belirlenmiştir.

Anahtar Kelimeler: Deprem, deprem stresiyle başa çıkma, psikolojik iyi oluş.

COMPARISON OF MARRIED AND SINGLE INDIVIDUALS' COPING WITH EARTHQUAKE STRESS AND PSYCHOLOGICAL WELL-BEING

ABSTRACT

The negative effects of natural disasters on people's lives are quite serious. Although it is proportional to the loss of life and economic losses experienced, some personal characteristics may also have an impact on the negativities that occur. The earthquake that occurred in the Kahramanmaraş region in 2023, which affected a very large region in Turkey, deeply affected the entire country. There was a lot of loss of life and destruction. Although efforts are made to compensate for material losses, the effects of the earthquake still continue. In this study, the ability of married and single women and men to cope with earthquake stress and their psychological well-being were examined. The study group consisted of 200 earthquake victims, 100 women and 100 men, determined by purposeful and quota sampling method. In the study where data were collected through social networks, the Earthquake Stress Coping Scale and Psychological Resilience Scale were used to collect data. In the analysis of the data, non-parametric tests Mann Whitney U test and Spearman Brown Correlation analysis were used, taking into account normality distribution. As a result, it was determined that there was no significant difference between the gender of both single and married individuals and their coping strategies and psychological well-being with earthquake stress. In addition, it was determined that the coping with earthquake stress and psychological well-being of married earthquake victims did not differ according to the number of children. It has been determined that there is a significant relationship between the earthquake stress coping strategies of married and single individuals and their psychological well-being, as individuals' positive coping strategies with earthquake stress increased in both groups, their psychological well-being also increased; in other words, as the level of psychological well-being increases, positive coping strategies with earthquake stress also increase.

Key Words: Earthquake, coping with earthquake stress, psychological well-being.

1. GİRİŞ

Doğal afetlerin, insanların yaşamlarına olumsuz etkileri oldukça ciddi düzeyde olmaktadır. Yaşanan can kayıpları ve ekonomik kayıplarla orantılı olmak birlikte kişisel bazı özellikler de ortaya çıkan olumsuzluklar üzerinde etkili olabilmektedir. Türkiye'de çok geniş bir bölgeyi etkileyen 2023 yılında, Kahramanmaraş bölgesinde yaşanan deprem tüm ülkeyi derinden

etkilemiştir. Çok sayıda can kaybı ve yıkım yaşanmıştır. Maddi kayıpların karşılanmasına çalışılsa da depremin etkileri halen devam etmektedir.

Kahramanmaraş merkezli 2023 yılı Şubat ayında yaşanan deprem felaketinde Türkiye'nin 11 ilinde yaklaşık 13 milyon kişi etkilenmiş, 26 bin bina enkaz altında kalmıştır. Türkiye Afet ve Yönetim Kurumu'na göre 45.089 Türk vatandaşı hayatını kaybetmiştir (AFAD, 2023). Deprem sonrası yapılan incelemelerde 215 bine yakın ağır hasarlı ya da yıkılmış binanın acilen yıkılması gerektiği belirlenmiştir. Binlerce insan evini, hatta birçoğu sevdiklerini kaybetmiştir. Acının artmasıyla birlikte deprem sonrası etkilerle baş etmek Türkiye'nin karşı karşıya olduğu bir diğer büyük zorluk haline gelmiştir.

Savaş, salgın hastalık, doğal afet gibi büyük travmatik olayların, hayatta kalanların refahı ve ruh sağlığı üzerinde de büyük etkisi vardır (Haydon ve Salvatore, 2021; Meffert ve Ekblad, 2013; Tracy vd.,2011). Afet sonrası hayatta kalanlar üzerindeki psikolojik etkiler, bireysel özellikler, afete bağlı maruziyet, sosyal ve ekonomik faktörler vb. ile ilgilidir (Davidson ve McFarlane, 2006). Zorlukların ardından bireylerde meydana gelen olumlu psikolojik değişiklikleri incelemek değerlidir, çünkü bu değişikliklerin, sıkıntı düzeylerini, refahı ve zihinsel sağlığın diğer alanlarını etkileyerek insanların yaşamlarında bir fark yaratacağı varsayılmaktadır (Zang vd., 2012). Afetlerden sonra hayatta kalan bireyler arasında travma sonrası stres bozukluğu (TSSB), depresyon, anksiyete ve diğer sıkıntılar gibi yaygın psikolojik sorunlar görülmesi muhtemeldir (Salcıoğlu vd., 2007). Araştırma sonuçları, afetzedelerin afetin etkileriyle başa çıkmak için genellikle aileleri, arkadaşları ve komşuları gibi yerel destek sistemlerine güvendiklerini göstermiştir (Ibañez vd., 2004). Sosyal desteğin travmatik olaylar sonrasında yaşanan psikolojik sıkıntıya karşı korunmaya katkıda bulunduğu dair kanıtlar giderek artmaktadır (Huang ve Wong, 2014; Lawrence ve Fauerbach, 2003).

Depremin travmatik etkisi sadece depremzedeleri değil, yakınlarını ve medya ve sosyal medya aracılığıyla bu felakete tanık olan diğer insanları da derinden etkilemiştir. Yaş, cinsiyet, sosyoekonomik düzey, algılanan sosyal destek ve depremin etkilerinin düzeyi gibi çeşitli faktörlerin bireylerin deprem stresi ve psikolojik iyi oluş düzeylerini etkileyebilir. Evli veya bekar olma, evli olup çocuklarının durumuyla ilgili endişelenme depremin stresör etkisini artırabilir ve bireylerin psikolojik iyi oluşlarını olumsuz etkileyebilir. Bu hipotezden yola çıkarak bu çalışma evli ve bekar bireylerin deprem stresiyle başa çıkma durumlarını ve psikolojik iyi oluşlarını belirlemek amacıyla yapılmıştır. Çalışmada ayrıca deprem stresiyle

başa çıkma stratejileriyle psikolojik iyi oluş arasında ilişki olup olmadığının belirlenmesi amaçlanmıştır.

2. YÖNTEM

Model

Çalışma betimsel ve ilişkisel tarama yönteminde tasarlanmıştır. Betimsel taramalar mevcut durumu olduğu gibi ortaya koymayı amaçlamaktadır. Değişkenler arası ilişki olup olmadığı ve varsa bu ilişkinin yönünün belirlenmesinde ise ilişkisel tarama modeli kullanılmaktadır.

Çalışma Grubu

Çalışma grubu, amaçlı ve kotalı örnekleme yöntemiyle belirlenen 100 erkek ve 100 kadın olmak üzere 200 katılımcıdan oluşmaktadır. Türkiye’de son yaşanan Kahramanmaraş merkezli 6 Şubat 2023 depreminde deprem bölgesinde ikamet eden kişilerden veriler toplanmış ve bu kişilerden kadın-erkek, evli-bekar olma durumuna göre kota konularak çalışma grubu belirlenmiştir. Kadın ve erkeklerin yarısı bekar ve yarısı evlidir.

Veri Toplama Araçları

Verilerin toplanmasında kişisel bilgiler sorgulanmış Deprem Stresiyle Baş Etme Ölçeği ve Kısa Psikolojik Sağlamlık Ölçeği kullanılmıştır. Deprem Stresiyle Baş Etme Ölçeği 2008 yılında Yöntem ve Eren tarafından geliştirilmiştir. Dörtlü likert tipindedir ve 16 maddeden oluşmaktadır. Olumlu Yeniden Değerlendirme, Sosyal Destek Arama, Dini Baş Etme olarak üç alt boyutu bulunmaktadır. Alt boyutların güvenilirlik katsayıları üniversite öğrencileriyle yapılan çalışmada .69-.85 arasında bulunmuştur. Kısa Psikolojik Sağlamlık Ölçeği ise 2008 yılında yurt dışında geliştirilmiş, 2015 yılında Doğan tarafından Türkçeye uyarlanmıştır. Beşli likert ve tek boyutlu olup güvenilirlik katsayısı .83 olarak saptanmıştır.

Verilerin Toplanması ve Analizi

Veriler, katılımcı onam formu ve veri toplama araçlarının sosyal ağlar aracılığıyla katılımcılara ulaştırılmasıyla toplanmıştır. Kadın ve erkek, evli ve bekar sayısı dikkate alınarak veriler rastlantısal olarak düzenlenmiş, analizler bilgisayar SPSS ortamında yapılmıştır. Verilerin analizinde parametrik olmayan analizlerden Manna Whitney U testi ve Spearman Brown Korelasyon katsayısından yararlanılmıştır.

3. BULGULAR

Bu bölümde çalışma grubundaki evli ve bekar kadın ve erkeklerin bulguları tablolar halinde verilmiştir. Evli ve bekar bireylerin cinsiyetlerine göre deprem stresiyle başa çıkma stratejileri analiz sonuçları Tablo 1’de, psikolojik iyi oluş analiz sonuçları Tablo 2’de verilmiştir.

Tablo 1. Evli ve Bekar Bireylerin Cinsiyetine Göre Deprem Stresiyle Başa Çıkma Stratejileri Mann Whitney U Testi Sonuçları

			Olumlu Yeniden Değ.	Sosyal Dest.Arama	Dini Baş.
Evli	Kadın	Mean	17,1800	12,0600	16,7400
		N	50	50	50
		St.Dev.	3,97795	2,75096	2,93334
	Erkek	Mean	17,6200	11,8600	15,7200
		N	50	50	50
		St.Dev.	3,22547	2,08992	2,96950
Mann Whitney U			1165,000	1229,500	1000,500
z			-0,588	-0,144	-1,732
p			0,556	0,886	0,083
Bekar	Kadın	Mean	17,0200	11,4800	15,5600
		N	50	50	50
		St.Dev.	4,02284	2,62048	3,08492
	Erkek	Mean	17,1600	11,3600	15,0400
		N	50	50	50
		St.Dev.	3,25363	2,53755	2,73272
Mann Whitney U			1220,500	1166,000	1113,000
z			-0,204	-0,587	-0,950
p			0,838	0,557	0,342

Tablo 1’de görüldüğü gibi evli veya bekar, kadın veya erkek olma ile deprem stresiyle başa çıkma arasında anlamlı bir farklılık yoktur ($p>.05$). Yani evli veya bekar deprem stresiyle başa çıkmaları kadın ve erkek olma durumlarına göre farklılık göstermemektedir.

Tablo 2. Evli ve Bekar Bireylerin Cinsiyetine Göre Psikolojik İyi Oluş Mann Whitney U Testi Sonuçları

			Psikolojik İyi Oluş	Mann Whitney U	z	p
Evli	Kadın	Mean	17,0800	1005,000	-1,713	0,087
		N	50			
		St.Dev.	3,59046			
	Erkek	Mean	17,9000			
		N	50			
		St.Dev.	3,86111			
Bekar	Kadın	Mean	16,7000	1008,500	-1,680	0,093
		N	50			
		St.Dev.	4,03682			
	Erkek	Mean	18,4800			
		N	50			
		St.Dev.	4,51862			

Tablo 2’de görüldüğü gibi evli veya bekar, kadın veya erkek olma ile psikolojik iyi oluş arasında anlamlı bir farklılık yoktur ($p>.05$). Yani evli veya bekar, kadın veya erkek olma durumuna göre bireylerin psikolojik iyi olmaları farklılık göstermemektedir.

Evli bireylerin çocuk sayılarına göre deprem stresiyle başa çıkma durumu analiz sonuçları Tablo 3’te ve psikolojik iyi oluş analiz sonuçları Tablo 4’te verilmiştir.

Tablo 3. Evli Bireylerin Çocuk Sayısına Göre Deprem Stresiyle Başa Çıkma Kruskal Wallis H Testi Sonuçları

	Çocuk Sayısı	N	Mean	Kay Kare	df	p
Olumlu Yeniden Değ.	1	8	43,75	5,657	4	0,226
	2	55	52,69			
	3	16	46,81			
	4	11	63,09			
	5 ve üzeri	10	35,90			
Sosyal Dest.Arama	1	8	50,13	1,294	4	0,862
	2	55	47,99			
	3	16	56,09			
	4	11	54,82			
	5 ve üzeri	10	50,90			
Dini Baş.	1	8	50,94	,803	4	0,938
	2	55	50,85			
	3	16	49,09			
	4	11	55,68			
	5 ve üzeri	10	44,75			

Tablo 3’te görüldüğü gibi evli bireylerin çocuk sayısı ile deprem stresiyle başa çıkmaları arasında anlamlı bir farklılık yoktur ($p>.05$). Yani çocuk sayısına göre deprem stresiyle başa çıkma stratejileri farklılık göstermemektedir.

Tablo 4. Evli Bireylerin Çocuk Sayısına Göre Psikolojik İyi Oluş Kruskal Wallis H Testi Sonuçları

	Çocuk Sayısı	N	Mean	Kay Kare	df	p
Psikolojik İyi Oluş	1	8	38,94	4,176	4	0,383
	2	55	49,32			
	3	16	56,09			
	4	11	45,55			
	5 ve üzeri	10	62,75			

Tablo 4’te görüldüğü gibi evli bireylerin çocuk sayısı ile psikolojik iyi oluşları arasında anlamlı bir farklılık yoktur ($p>.05$). Yani çocuk sayısına göre psikolojik iyi oluş durumu farklılık göstermemektedir.

Tablo 5’te evli ve bekar bireylerin deprem stresiyle başa çıkma stratejileri ve psikolojik iyi oluşları arasındaki ilişkiye dair korelasyon analizi sonuçları verilmiştir.

Tablo 5. Evli ve Bekar Bireylerin Deprem Stresiyle Başa Çıkma ve Psikolojik İyi Oluşları Arası Spearman Brown Korelasyon Analizi Sonuçları

Psikolojik İyi Oluş		Deprem Stresiyle Başa Çıkma		
		Olumlu Yen. Değr.	Sosyal Dest.Arama	Dini Baş.
Evli	r	0,286**	-0,080	-0,127
	p	0,004	0,430	0,208
	N	100	100	100
Bekar	r	0,241*	0,138	-0,166
	p	0,016	0,170	0,100
	N	100	100	100

Tablo 5’te görüldüğü gibi hem evli hem de bekar bireylerin psikolojik iyi oluşları ile deprem stresiyle başa çıkma stratejilerinden olumlu yeniden değerlendirme stratejisi arasında anlamlı bir ilişki vardır ($p<.05$). Bu ilişki pozitif yönlü ve düşük düzeydedir. Sosyal destek arama ve dini başa çıkma strateji arasında ise anlamlı bir ilişki yoktur. Hem evli hem de bekar bireylerin psikolojik iyi oluşları arttıkça deprem stresiyle başa çıkmada olumlu yeniden değerlendirme stratejisini kullanma durumları artmakta, bir başka ifadeyle olumlu yeniden değerlendirme stratejileri arttıkça psikolojik iyi oluşları da artmaktadır.

4. TARTIŞMA, SONUÇ VE ÖNERİLER

Depreme maruz kalan evli ve bekar bireylerin deprem stresiyle başa çıkma ve psikolojik iyi oluşlarının incelendiği bu çalışmada hem bekar hem de evli bireylerin cinsiyeti ile deprem stresiyle başa çıkma stratejileri ve psikolojik iyi oluşları arasında anlamlı bir fark olmadığı belirlenmiştir. Ayrıca deprezede evli bireylerin deprem stresiyle başa çıkma ve psikolojik iyi oluşlarının çocuk sayısına göre farklılık göstermediği belirlenmiştir. Evli ve bekar bireylerin deprem stresiyle başa çıkma stratejileriyle psikolojik iyi oluşları arasında anlamlı bir ilişki olduğu, her iki grupta da bireylerin deprem stresiyle olumlu başa çıkma stratejileri arttıkça psikolojik iyi oluşlarının da arttığı, bir başka ifadeyle psikolojik iyi oluş düzeyi arttıkça deprem stresiyle olumlu başa çıkma stratejilerinin de arttığı belirlenmiştir.

Alan yazında evli katılımcıların deprem korku düzeylerinin daha yüksek olduğu görülmektedir (Galip vd., 2023; Holmes ve Rahe, 1967; Solomon vd., 1993). Bu durum çiftlerden birinin ayrılmasından, ölümünden ya da evlilik uyumsuzluğunun felaketle daha da kötüleşmesi ve mevcut stres düzeylerini daha da etkilemesinden kaynaklanmış olabilir. Evli bireyler, özellikle yüksek ölüm riski taşıyan olaylarla karşılaştıklarında eşleri ve çocukları gibi duygusal açıdan bağlayıcı ilişkileri nedeniyle korku düzeylerinde bir artış yaşadığı ön görülebilir. Ancak evli olmanın algılanan sosyal desteğin, iyi oluşun, problem odaklı başa çıkmanın ve sosyal destek aramanın travma sonrası gelişim düzeyinin anlamlı yordayıcıları olduğu görülmüştür

(Şakiroğlu, 2019). Alan yazında medeni duruma göre anlamlı bir fark olmadığı (Kung & Chen, 2012) ve bekar annelerin genel nüfusla karşılaştırıldığında afet riskine karşı daha duyarlı oldukları (Donner ve Rodríguez, 2008: 1102) sonucuna ulaşan çalışmalara da rastlanmıştır.

Çalışmadan elde edilen bulgular neticesinde evli veya bekar, kadın veya erkek, çocuk sayısı fark etmeksizin bireylerin depremde benzer ölçülerde etkilendiği, depremle başa çıkmada benzer stratejileri kullandıkları, psikolojik iyi oluş durumlarının benzer ölçüde etkilendiği sonucu çıkarılabilir. Yani deprem afeti ve yıkıcı etkileri, bireylerin evli-bekar, çocukluk-çocuksuz, kadın-erkek olma durumuna bakmaksızın etkilemektedir. Yine kişisel değişkenler ne olursa olsun bireylerin deprem stresiyle başa çıkmada olumlu yeniden değerlendirme stratejisini kullanmaları psikolojik iyi oluşlarını olumlu yönde etkilemektedir.

Sonuç olarak, deprem veya farklı kriz durumlarında bireylerin stresle başa çıkma stratejilerini ve özellikle olumlu yeniden değerlendirme stratejilerini kullanmaları psikolojik iyiliklerini sağlayacaktır. Bu nedenle, farklı eğitim kademelerinde ve yaygın eğitim yoluyla kişilerin stresle başa çıkmada olumlu stratejiler kullanmayı öğrenmeleri konusunda çalışmalar yürütülebilir. Doğal afet veya bireysel diğer travmatik durumlarda, olumlu yeniden değerlendirme kişilerin psikolojik sağlıklarını korumalarında yardımcı bir stratejidir. Her bireyin kendini tanıyarak olası travmatik durumlarda olumlu bakış açısı geliştirmeye çaba göstermesi, psikolojisini olumlu yönde etkileyecek girişimlerin neler olduğu bilincinde olması önemli görünmektedir. Bu çalışmada depremi bizzat yaşayan kişilerle çalışılmıştır, araştırmacılara depremde olan ve olmayan bireylerle karşılaştırmalı çalışmalar yapmaları önerilebilir.

KAYNAKÇA

- AFAD. (2023, March 1). Kahramanmaraş 'ta Meydana Gelen Depremler Hk. Basın Bulteni-36. Kahramanmaraş'ta Meydana Gelen Depremler Hk. Basın Bulteni-36. <https://www.afad.gov.tr/kahramanmarasta-meydana-gelen-depremler-hk-36>.
- Davidson, J. R., & McFarlane, A. C. (2006). The extent and impact of mental health problems after disaster. *J Clin Psychiatry*, 67(Suppl 2), 9-14.
- Donner, W., & Rodríguez, H. (2008). Population composition, migration and inequality: The influence of demographic changes on disaster risk and vulnerability. *Social forces*, 87(2), 1089-1114.
- Galip, U, Topruş, K., Kanbay, Y., & Özbay, S. Ç. (2023). Examination Of Factors Associated With Earthquake Fear And Coping Strategies Used. *Akademik Yaklaşımlar Dergisi*, 15(1-Deprem Özel Sayısı-), 746-763.
- Haydon, K. C., & Salvatore, J. E. (2021). A prospective study of mental health, well-being, and substance use during the initial COVID-19 pandemic surge. *Clinical Psychological Science*, 10(1), 58–73. <https://doi.org/10.1177/21677026211013499>.
- Holmes, T. H., & Rahe, R. H. (1967). The social readjustment rating scale. *Journal of psychosomatic research*.
- Huang, Y., & Wong, H. (2014). Impacts of sense of community and satisfaction with governmental recovery on psychological status of the Wenchuan earthquake survivors. *Social Indicators Research*, 117, 421-436.

- Ibanez, G. E., Buck, C. A., Khatchikian, N., & Norris, F. H. (2004). Qualitative analysis of coping strategies among Mexican disaster survivors. *Anxiety, Stress & Coping, 17*(1), 69-85.
- Kung, Y. W., & Chen, S. H. (2012). Perception of earthquake risk in Taiwan: Effects of gender and past earthquake experience. *Risk Analysis: An International Journal, 32*(9), 1535-1546.
- Lawrence, J. W., & Fauerbach, J. A. (2003). Personality, coping, chronic stress, social support and PTSD symptoms among adult burn survivors: a path analysis. *The Journal of burn care & rehabilitation, 24*(1), 63-72.
- Meffert, S., & Ekblad, S. (2013). Global mental health intervention research and mass trauma. *Open Access Journal of Clinical Trials, 61-69*. <https://doi.org/10.2147/OAJCT.S37037>
- Salcioglu, E., Basoglu, M., & Livanou, M. (2007). Post-traumatic stress disorder and comorbid depression among survivors of the 1999 earthquake in Turkey. *Disasters, 31*(2), 115-129.
- Solomon, S. D., Bravo, M., Rubio-Stipec, M., & Canino, G. (1993). Effect of family role on response to disaster. *Journal of Traumatic Stress, 6*(2), 255-269.
- Şakiroğlu, M. (2019). 1999 Düzce Depreminde Hayatta Kalanlarda Travma Sonrası Gelişim. *Uluslararası Psiko-Eğitim Bilimleri Dergisi, 8* (3), 61-72.
- Tracy, M., Norris, F. H., & Galea, S. (2011). Differences in the determinants of posttraumatic stress disorder and depression after a mass traumatic event. *Depression and anxiety, 28*(8), 666-675. <https://doi.org/10.1002/da.20838>
- Zang, Y., Hunt, N. C., Cox, T., & Joseph, S. (2012). Short form of the Changes in Outlook Questionnaire: Translation and validation of the Chinese version. *Health and Quality of Life Outcomes, 10*(1), 1-8.

ÇOCUK GELİŞİMİ ÖĞRENCİLERİN YARATICI DRAMA DERSİNE YÖNELİK TUTUMLARI

Arzu ÖZYÜREK

Prof. Dr., Karabük Üniversitesi Sağlık Bilimleri Fakültesi Çocuk Gelişimi Bölümü.
Prof. Dr., Karabük University, Faculty of Health Sciences, Department of Child

ORCID ID: 0000-0002-3083-7202

Derya ATALAY

Bilm. Uzm. Öğr. Gör., Iğdır Üniversitesi Çocuk Gelişimi Bölümü
Science Specialist Lecturer Assist., Iğdır University Child Development Department

ORCID ID: 0000-0001-9043-0407

ÖZET

Yaratıcı drama, deneysel öğrenmenin teşvik edilip geliştirilebildiği öğrenci merkezli bir eğitim yaklaşımı sunmaktadır. Öğretimde dramanın kullanılması, öğrencilerin farklı düşünme becerilerini, yaratıcılık, empatik ve bilişsel düşünme becerilerini geliştirmelerine yardımcı olabilir. Yaratıcı drama dersi ön lisans ve lisans düzeyinde, çocuk gelişimi müfredatında zorunlu veya seçmeli dersler grubunda yer alan bir derstir. Öğrencilerin öğrenim dönemlerinde okul öncesi eğitim kurumları stajlarında ve mezuniyet sonrası çalıştıkları okul öncesi eğitim kurumları başta olmak üzere çocuklar veya ailelerle drama etkinlikleri uygulamaları söz konusudur. Yaratıcı drama aynı zamanda, dersi alma esnasında bireylerin kişisel olarak yararlandıkları uygulamaları kapsamaktadır. Tüm bu nedenlerle öğrencilerin yaratıcı dramaya yönelik tutumlarının belirlenmesi önemli görülmüştür. Bu çalışmada çocuk gelişimi öğrencilerinin yaratıcı drama dersine yönelik tutumlarının belirlenmesi amaçlanmıştır. Çalışma grubunu 80 çocuk gelişimi ön lisans ve lisans öğrencisi oluşturmuştur. Verilerin toplanmasında Yaratıcı Drama Dersine Yönelik Tutum Ölçeği kullanılmıştır. Verilerin analizinde normallik dağılımı incelenmiş, betimsel analiz ve Mann Whitney U Testi yapılmıştır. Sonuç olarak öğrencilerin drama dersine yönelik tutumlarının ortanın biraz üzerinde olumlu olduğu belirlenmiştir. Öğrencilerin drama dersine yönelik tutumlarının ön lisans veya lisans düzeyinde öğrenim görmeleri, daha önce drama dersi almış olup olmama durumlarına göre da anlamlı farklılık oluşturmamıştır. Öğrencilerin drama dersine yönelik tutumlarının ortalama düzeyde olmasının önemli olduğu, drama dersinin işlenişine göre tutum farklılıklarının oluşabileceği düşünülmüştür.

Anahtar Kelimeler: Yaratıcı Drama, Yaratıcı Drama Dersine Yönelik Tutum, Çocuk Gelişimi, Yüksek Öğrenim

CHILD DEVELOPMENT STUDENTS' ATTITUDES TOWARDS CREATIVE DRAMA LESSON

ABSTRACT

Creative drama offers a student-centered educational approach in which experiential learning can be encouraged and developed. The use of drama in teaching can help students develop divergent thinking skills, creativity, empathetic and cognitive thinking skills. Creative drama lesson is a lesson that is included in the group of compulsory or elective lessons in the child development curriculum at associate and undergraduate levels. During the education periods, students practice drama activities with children or families, especially in pre-school education institutions internships and pre-school education institutions where they work after graduation. Creative drama also includes the practices that individuals personally benefit from during the lesson taking. For all these reasons, it was considered important to determine the attitudes of students towards creative drama. In this study, it was aimed to determine the attitudes of child development students towards creative drama lesson. The study group consisted of 80 child development students. The Attitude Scale Towards Creative Drama Lesson was used to collect the data. In the analysis of the data, the normality distribution was examined, descriptive analysis and Mann Whitney U Test were performed. As a result, it was determined that the attitudes of the students towards the drama lesson were slightly more positive than the average. There was no significant difference in the attitudes of the students towards the drama lesson according to whether they studied at the associate or undergraduate level or not. It is thought that it is important that the attitudes of the students towards the drama lesson are at an average level, and that there may be differences in attitudes according to the teaching of the drama lesson.

Keywords: Creative drama, attitude towards creative drama lesson, child development, higher education

1. GİRİŞ

Yaratıcı drama, deneysel öğrenmenin teşvik edilebildiği ve geliştirilebildiği öğrenci odaklı bir süreçtir. Öğrencilerin farklı düşünme becerilerini, yaratıcılığını ve bilişsel düşünme becerilerini geliştirmelerine yardımcı olabilir, sözlü ve yazılı iletişim becerilerinin gelişimini teşvik edebilir. Sosyal bağlamda kullanıldığında yaratıcı drama, öğrenciye başkalarının ihtiyaçlarına karşı empatik olmanın yolunu gösterebilir sonuç olarak daha iyi bir değer yargısı oluşturabilir. Dramanın öncülerinden Heathcote (1984), dramanın öğrencilerin kendilerini anlamalarına,

farklı durumları deneyimlemelerine ve dünyayı anlamalarına yardımcı olduğunu belirtmektedir. Bir bakıma hataların yapılmasına ve hatalardan ders alınmasına olanak tanıyan güvenli bir alanda, kurgusal olarak diğerlerinin yaşamları aracılığıyla kendilerini keşfetme şansı sunduğu söylenebilir.

Yaratıcı drama, rol oyunları, doğaçlamalar ve diğer teknikleri kullanarak fikirleri, konuları, sorunları ve bir grupla ilişkileri keşfetmek için kurgusal bir dünya yaratmaya dayanır (O'Neill, 1995). Tiyatro oyunlarından farklı olarak yaratıcı drama senaryolara dayanmaz, doğaçlamaları ve özgür düşünmeyi içerir (McCaslin, 2006). Biliş ve duygu birbiriyle ilişkili olarak algılanırsa dramının bir eğitim aracı olması kaçınılmaz hale gelir. Sanat ve yaratıcılık beden, duygular ve zihin arasındaki bağlantılarda önemli bir rol oynar. Öğrenmenin büyüleyici yanı deneyim olmadan gerçekleşmemesidir. John Dewey (1963), tüm deneyimler eşit derecede eğitici olmamasına rağmen “tüm gerçek eğitimin deneyim yoluyla ortaya çıktığını” öne sürmüştür. Yaratıcı drama fiziksel aktivite yoluyla etkileşimli, deneyimsel bir öğrenmedir.

David Kolb'un deneyimsel öğrenme teorisi, farklı öğrenenlerin ihtiyaçlarını karşılayan derslerin tasarlanmasına yardımcı olabilecek bir çerçeve içermektedir. Kolb, bilgiyi kavramak ve bu bilgiyi dönüştürmek olarak öğrenmeyi iki boyuttan oluşan bir şey olarak tanımlamıştır. Kavrama boyutu, somut deneyimden soyut kavramsallaştırmaya kadar uzanır. Dönüştürücü boyut, yansıtıcı gözlemden aktif deneylere kadar uzanır. Kolb, öğrenmenin bireyin somut deneyim, yansıtıcı gözlem, soyut kavramsallaştırma ve aktif deneyim döngüsünden geçmesiyle gerçekleştiğini öne sürmüştür (Kolb, 2014). Somut deneyim, gözlem ve yansıtma, soyut kavramsallaştırma, aktif deney ve uygulamadan oluşan öğrenme döngüsü, yüksek öğretimin özünü geliştirme vaadini taşımaktadır (Chickering, 1977).

“Eğitim” kavramı, öğrenmeyi kolaylaştırma sürecini ifade eder. Bu süreçte bir insanın bilgi, değer, beceri, alışkanlık ve inançları diğer insanlara aktarılır. Bu, kişinin yaşamak için entelektüel olgunluk kazanma yeteneğiyle sonuçlanan muhakeme ve muhakeme güçlerinin gelişimini içerir. Eğitmek, öğretme, tartışma, hikâye anlatma, eğitim, öğretim ve diğer ilgili faaliyetler gibi süreçler yoluyla bir kişinin yetilerini ve güçlerini geliştirmektir. Öğrenci merkezli öğrenmeye ilişkin görüşünü dile getiren Kember (1997), bilginin öğrenci tarafından yapılandırıldığını, öğretmenin ise bilgiyi sunandan çok öğrenmeyi kolaylaştırıcı olduğunu belirtmektedir. Harden ve Crosby (2000) öğrenci merkezli öğrenmeyi, öğretmenin ne yaptığına değil öğrencilerin öğrenmesine ve öğrencilerin bunu başarmak için yaptıkları faaliyetlere

odaklanarak tanımlamaktadır. Burada vurgu, öğrencinin ne yaptığıdır. Öğrenme sürecinin olduğu kadar dramının da temel taşı öğretmendir (Adıgüzel, 2020).

Alan yazında yaratıcı drama ile ilgili iletişim, sosyal ve empatik beceri kazandırmaya yönelik çalışmalar (Freeman vd., 2003; Guli vd., 2013; Kara ve Çam, 2007; Okvuran, 2019; Akfırat, 2004; Arslan vd., 2010; Sevgen, 2016) ve eğitimde drama ile ilgili çalışmalar (Genç, 2003; Bil, 2012; Nazlıer ve Akoğlu, 2018) mevcuttur. Alan yazında yaratıcı drama dersine yönelik tutumları inceleyen çalışmalara da rastlanmıştır (Hamurcu, 2008, Hamurcu, 2009; Karabağ, 2014; Okvuran, 2000; Ünal, 2004; Kaf, 2017; Başçı ve Gündoğdu, 2011, Atalar ve Ceylan, 2018; Bertiz vd., 2010; Erdil, 2007; Susar-Kırmızı, 2008; Yıldırım, 2011; Fenli, 2010; Kayıran, 2018; Ekiz ve Duman, 2016; Altıntaş ve Kaya, 2012; Uzun, 2016). Çocuk Gelişimi alanında dramının sıklıkla kullanıldığı, drama dersinin ön lisans ve lisans düzeyinde müfredatta yer aldığı dikkate alındığında çocuk gelişimi öğrencilerinin drama dersine yönelik tutumlarının önemli olduğu düşüncesinden hareketle bu araştırma, üniversite öğrencilerinin yaratıcı drama dersine yönelik tutumlarını belirlemek amacıyla yapılmıştır. Çalışmada, çocuk gelişimi öğrencilerinin drama dersine yönelik tutumlarının nasıl olduğu, drama dersine yönelik tutumlarının ön lisans veya lisans düzeyinde öğrenim görme ve daha önce drama dersi alma durumuna göre farklılaşıp farklılaşmadığının belirlenmesi amaçlanmıştır.

2. YÖNTEM

Model

Çalışma, betimsel tarama modelinde tasarlanmıştır. Mevcut durum olduğu gibi betimlenmeye çalışılmıştır.

Çalışma Grubu

Çalışma grubunu, çalışmaya katılmaya gönüllü Çocuk Gelişimi lisans ve ön lisans 2.sınıf öğrencilerinden oluşmuştur. Öğrencilerin yalnızca biri erkektir, 37'si lisans ve 43'ü ön lisans programına devam etmekte olup 29'u (%63) daha önce drama dersi almış ve 51'i (%63,8) daha önce drama dersi almamıştır.

Veri Toplama Araçları

Verilerin toplanmasından önce ölçek sahibinden kullanım izni alınmıştır. Çalışmada, üniversite öğrencilerine Kişisel Bilgi Formu ve Yaratıcı Drama Dersine Yönelik Tutum Ölçeği uygulanmıştır.

Kişisel Bilgi Formu öğrencilerin cinsiyet, bölüm, daha önce drama dersi alıp almama durumuna ilişkin soruları kapsamaktadır.

Yaratıcı Drama Dersine Yönelik Tutum Ölçeği: Adıgüzel (2007) tarafından okul öncesi ve ilkokulda drama derslerine yönelik tutumların belirlenmesi amacıyla geliştirilen ölçek beşli likert tipindedir. Faktör yükü yüksek olan 50 madde ölçekte yer almakta, bu maddelerden olumsuz ifadeler içeren 20 madde ters puanlanmaktadır. Alınan yüksek puan, drama dersine yönelik olumlu tutumun arttığı şeklinde yorumlanmaktadır. Toplam 550 üniversite öğrencileriyle yapılan çalışmada, uzman görüşleri ve faktör analizi yöntemiyle geçerliği incelenmiş, güvenirlik katsayısı 0,90 bulunmuştur. Çalışmada yapılan güvenirlik analizi sonucunda ölçeğin Cronbach Alfa güvenirlik katsayısı 0,93 olarak bulunmuştur.

Verilerin Toplanması ve Analizi

Veriler, veri toplama araçlarının internet ortamına aktarılarak oluşturulan linkin öğrencilerle paylaşılması yoluyla toplanmıştır. Veriler, derslerin başladığı ilk hafta toplanmıştır. Verilerin analizi bilgisayar ortamında yapılmıştır. Ölçek puanları normallik dağılımı Kolmogorow Smirnov Testi ile incelenmiştir. Anlamlılık değeri 0,5'in altında, çarpıklık değeri 2'nin üzerinde ve histogram grafiği tek tepeli yapı oluşturmadığından verilerin normal dağılmadığına karar verilmiştir. Verilerin analizinde betimsel istatistik ve Mann Whitney U Testi kullanılmıştır.

3. BULGULAR

Öğrencilerin drama dersine yönelik tutumlarının belirlenmesi için yapılan betimsel istatistik sonuçları Tablo 1'de verilmiştir.

Tablo 1. Drama Dersine Yönelik Tutum Ölçeği Betimsel Analiz Sonuçları

	N	En Düşük	En Yüksek	Ortalama	Standart Sapma
Drama Dersine Yönelik Tutum Ölçeği	80	2,32	4,58	3,12	0,61

Tablo 1 incelendiğinde, öğrencilerin Drama Dersine Yönelik Tutum Ölçeği toplam puanlarının madde sayısına (n=50) bölünerek bulunan en düşük puan 2,32 ve en yüksek puanı 4,58 bulunmuştur. Beşli likert ölçeğinde öğrencilerin ölçek toplamından aldıkları ortalama puan 3,12'dir. Buna göre çalışma grubunda yer alan öğrencilerin drama dersine yönelik tutumlarının ortalamanın çok az üzerinde olumlu olduğu söylenebilir.

Öğrencilerin devam ettiği öğrenime göre drama dersine yönelik tutumlarına ilişkin bulgular Tablo 2'de verilmiştir.

Tablo 2. Öğrenime Göre Drama Dersine Yönelik Tutum Ölçeği Mann Whitney U Testi Sonuçları

	Öğrenim	N	\bar{x}	S	U	p
Drama Dersine Yönelik Tutum Ölçeği	Ön lisans	43	158,04	30,37	725,5	0,499
	Lisans	37	154,40	31,68		

*p<0,05

Tablo 2'ye göre öğrencilerin Drama Dersine Yönelik Tutum Ölçeği puanları ön lisans veya lisans düzeyinde öğrenim görmelerine göre anlamlı bir farklılık göstermemektedir (p>0,05). Anlamlı bir farklılık olmasa da ön lisans öğrencilerinin ölçek puanlarının lisans öğrencilerinden daha yüksek olduğu dikkat çekmektedir.

Öğrencilerin daha önce drama dersi alıp almama durumuna göre drama dersine yönelik tutumlarına ilişkin bulgular Tablo 3'te verilmiştir.

Tablo 3. Daha Önce Drama Dersi Alma Durumuna Göre Drama Dersine Yönelik Tutum Ölçeği Mann Whitney U Testi Sonuçları

	Drama Dersi	N	\bar{x}	S	U	p
Drama Dersine Yönelik Tutum Ölçeği	Almış	29	159,65	29,56	643,0	0,334
	Almamış	51	154,49	31,67		

*p<0,05

Tablo 3'e göre öğrencilerin Drama Dersine Yönelik Tutum Ölçeği puanları daha önce drama dersi almış olup olmama durumlarına göre anlamlı bir farklılık göstermemektedir (p>0,05). Anlamlı bir farklılık olmasa da daha önce drama dersi almış olan öğrencilerinin ölçek puanlarının lisans öğrencilerinden daha yüksek olduğu dikkat çekmektedir.

4. TARTIŞMA, SONUÇ ve ÖNERİLER

Çocuk Gelişimi öğrencilerinin drama dersine yönelik tutumlarının incelendiği bu çalışmada, ön lisans ve lisans öğrencileri yer almıştır. Öğrencilerin genel olarak drama dersine yönelik tutumlarının, ortanın biraz üzerinde olumlu olduğu belirlenmiştir. Öğrencilerin drama dersine yönelik tutumlarının ön lisans veya lisans düzeyinde öğrenim görmeleri, daha önce drama dersi almış olup olmama durumlarına göre da anlamlı farklılık oluşturmadığı belirlenmiştir.

Çalışmanın verileri, öğrenim yılı başında derslerin başladığı ilk hafta toplanmıştır. Verilerin toplandığı zaman diliminde, öğrenciler henüz drama dersini almamışlardır. Ancak bir grup öğrenci daha önce drama dersi aldığını belirtmiştir. Çocuk Gelişimi alanında meslek lisesine devam eden öğrenciler, lise öğrenimi esnasında drama dersi almaktadırlar. Öğrencilerin drama

dersine yönelik tutumlarının ortalama düzeyde olmasının önemli olduğu, drama dersinin işlenişine göre tutum farklılıklarının oluşabileceği öngörülmüştür. Alan yazında öğretmen adayları ile yapılan çalışmalarda öğretmen adaylarının dramaya yönelik olumlu tutumlara sahip oldukları belirlenmiştir (Kaf, 2017; Hamurcu, 2008, Hamurcu, 2009; Karabağ, 2014; Okvuran, 2000; Ünal, 2004; Başçı ve Gündoğdu, 2011). Çocuk Gelişimi öğrencilerinin öğrenimleri esnasında okul öncesi eğitim kurumlarında staj yapma, mezuniyet sonrasında da okul öncesi öğretmenliği, özel eğitim kurumlarında çocuk gelişimci vb. olarak çalışma alanları bulunmaktadır. Mezuniyet öncesi ve sonrası çocuklarla drama çalışmaları yapmaları söz konusu olduğundan, drama dersine yönelik tutumlarının olumlu olması önemlidir.

Çalışma, öğrenim yılı başında ve henüz öğrenciler drama dersini almadan yapılmıştır. Buna rağmen derse yönelik tutumlarının ortalama düzeyde olması dersin tamamlanmasından sonra olumlu tutumlarının artacağına göstergesi olabilir. Alan yazında daha önceden drama ile ilgili eğitim almış olan öğrencilerinin drama dersine yönelik tutum puanlarının daha fazla olduğu yönündedir (Atalar ve Ceylan, 2018; Gürol, 2002; Okvuran, 2000) Yaratıcı drama yöntemine ilişkin tutumların incelendiği çalışmalarda yapılan uygulamalar sonrası öğretmen adaylarının yaratıcı dramaya yönelik tutumlarında olumlu yönde bir değişim olduğu görülmektedir (Üstündağ, 1997; Yeğen, 2004; Bertiz, 2005; Susar-Kırmızı, 2007; Gencel, 2009; Bertiz vd., 2010; Fenli, 2010). Fakat burada, yaratıcı drama dersinin işlenişinin önemli olduğu söylenebilir. Dersin öğrenci beklentilerini karşılayacak, dramanın tüm yönleriyle ele alındığı ve yaparak yaşayarak öğrenmenin benimsendiği tarzda işlenmesi önemlidir. Öğrencilerin drama dersi esnasında teorik bilgileri öğrenmek yanında uygulamalara katılmaktan haz duymaları, olumlu tutum geliştirmelerinde etkili olacaktır.

Çalışmada, katılımcılardan yalnızca birinin erkek olması çalışmanın sınırlılıklarından sayılabilir. Benzer çalışmalarda cinsiyete yönelik karşılaştırmalar yapılacak şekilde örneklem belirlenebilir. Ayrıca drama dersi öncesi ve sonrası drama dersine yönelik tutumların değerlendirilerek karşılaştırmalı çalışmalar yapılması, drama dersinin öğrencilerdeki tutumları ne yönde etkilediğine yönelik veriler sunabilir. Drama dersinin yapısı, öğretmenlere öğrencilerinin ne kadar bilgi sahibi olduğunu görmeleri ve ilerlemeyi teşvik etmek için öğrenirken uygun geri bildirim vermeleri için çok sayıda fırsat sağlayabilir. Eğitimde deneyimleyerek öğrenme fırsatı sağlanması açısından yaratıcı drama yöntemlerinin kullanılması önerilir. Eğitimcilerin öğrencilere uygun ortam ve öğrenme fırsatı sağlaması için kendilerinin de yaratıcı drama uygulama eğitimleri almaları önerilir. Dramanın işbirlikçi

davranışı geliştirmek için etkili bir yöntem olduğu, ancak bu eğitimin uzun vadeli etkisini görmek için müdahale uygulayarak yapılacak daha fazla çalışmaya ihtiyaç vardır.

KAYNAKLAR

- Adıgüzel, Ö. (2007). Yaratıcı drama (okulöncesinde drama ve ilköğretimde drama) derslerine ilişkin tutum ölçeği geliştirilmesi. *Yaratıcı Drama Dergisi*, 1 (2), 5-12.
- Adıgüzel, H. Ö. (2000). *Eğitim bilimlerinde (Güzel Sanatlar Eğitiminde) bir uzmanlık alanı olarak kültür pedagojisi*. Yayınlanmamış Doktora Tezi. Ankara: Ankara Üniversitesi.
- Akfiyat, F. Ö. (2004). Yaratıcı dramanın işitme engellilerin sosyal becerilerinin gelişimine etkisi. *Ankara Üniversitesi Eğitim Bilimleri Fakültesi Özel Eğitim Dergisi*, 5(01).
- Altıntaş, E. ve Kaya, H. (2012). Fen bilgisi öğretmen adaylarının drama yöntemiyle fen ve teknoloji dersinin işlenmesine yönelik öz-yeterlik ve tutumları. *Erciyes Üniversitesi Fen Bilimleri Enstitüsü Dergisi*, 28 (4), 287-295.
- Arslan, E., Erbay, F. ve Saygın, Y. (2010). Yaratıcı drama ile bütünleştirilmiş iletişim becerileri eğitiminin çocuk gelişimi ve eğitimi bölümü öğrencilerinin iletişim becerilerine etkisini incelemesi. *Selçuk Üniversitesi Sosyal Bilimler Enstitüsü Dergisi*, (23), 1-8.
- Atalar, A. D. ve Ceylan, E. D. (2018). Çocuk gelişimi program öğrencilerinin yaratıcı drama dersine ilişkin tutumlarının incelenmesi. *Erzincan Üniversitesi Eğitim Fakültesi Dergisi*, 20(1), 50-66.
- Başçı, Z. ve Gündoğdu, K. (2011). Öğretmen adaylarının drama dersine ilişkin tutumları ve görüşleri: Atatürk Üniversitesi örneği. *Elementary Education Online*. 10(2), 454-467
- Bertiz, H., Bahar, M. ve Yeğen, G. (2010). Fen ve teknoloji öğretmen adaylarının yaratıcı drama yöntemine yönelik tutumları ve yöntemin fen ve teknoloji eğitiminde kullanılabilirliğine ilişkin görüşleri. *Gazi University Journal of Gazi Educational Faculty (GUJGEF)*, 30(2).
- Bil, E. (2012). Hizmet içi eğitimde yaratıcı drama yönteminin etkililiği (Yüksek Lisans Tezi). Ankara: Ankara üniversitesi.
- Chickering, A. W. (1977). Experience and Learning. Introduction to Experiential Learning.
- Dewey, J. (1963). *Experience and Education*. New York, NY: Collier Books. (Original work published in 1938).
- Ekiz, N. ve Duman, G. (2016). Sınıf öğretmeni adaylarının yaratıcı dramaya yönelik tutumlarının incelenmesi. *Eğitim ve Toplum Araştırmaları Dergisi*, 3(1), 186-205.
- Demirel Erdil, A. (2007). *İlköğretim T.C. İnkılap Tarihi ve Atatürkçülük dersi öğretiminde dramanın akademik başarıya ve tutuma etkisi* (Master's thesis, Sakarya Üniversitesi).
- Fenli, A. (2010). Sınıf öğretmeni adaylarının yaratıcı drama dersine yönelik tutumları (MAKÜ örneği) (Yüksek Lisans Tezi). Burdur: Mehmet Akif Üniversitesi.
- Freeman, G. D., Sullivan, K. ve Fulton, C. R. (2003). Effects of creative drama on self-concept, social skills, and problem behavior. *The Journal of Educational Research*, 96(3), 131-138.
- Genç, H. N. (2003). Eğitimde yaratıcı dramanın alınlanması. *Hacettepe Üniversitesi Eğitim Fakültesi Dergisi*, 24(24).
- Gencel, İ. E. (2009). Yaratıcı drama yönteminin sosyal bilgiler dersi başarısı ve derse yönelik tutum üzerindeki etkileri. *Cagdas Eğitim Dergisi*, (360).
- Guli, L. A., Semrud-Clikeman, M., Lerner, M. D. ve Britton, N. (2013). Social Competence Intervention Program (SCIP): A pilot study of a creative drama program for youth with social difficulties. *The Arts in Psychotherapy*, 40(1), 37-44.
- Gürol, A. (2002). Okul öncesi eğitim öğretmenleri ile öğretmen adaylarının eğitimde dramaya ilişkin kendilerini yeterli bulma düzeylerinin belirlenmesi. Yayınlanmamış Doktora Tezi, Fırat Üniversitesi. Sosyal Bilimler Enstitüsü, Elazığ.
- Hamurcu, H. (2008). The effects of creative drama on self efficacy beliefs of class teacher candidates in science education. *Proceedings of International Conference on Educational Science ICES'08*. Fağamusta, North Cyprus, Eastern Mediterranean University,, Volume II, 965-975.
- Hamurcu, H. (2009). Sınıf öğretmenliği bölümü öğrencilerinin yaratıcı dramaya yönelik tutumları. *Education Sciences NWSA, E Journal of New World Sciences Academy*, 4(4), 1257-1273.

- Harden, Crosby, Howie ve Struthers. (2000). Task-based learning: the answer to integration and problem-based learning in the clinical years. *Medical education*, 34(5), 391-397.
- Heathcote, D. (1984). *Collected Writings*. London, England: Hutchinson.
- Hoşver, P. U., Kara, Ö. ve Baba, H. (2020). Yaratıcı drama eğitiminin beden eğitimi ve spor öğretmen adaylarının yaratıcı drama dersine yönelik tutumlarına etkisi. *Beden Eğitimi ve Spor Bilimleri Dergisi*, 22(4), 176-188.
- Kaf, Ö. (2017). Öğretmen adaylarının sosyal bilgilerde yaratıcı drama dersine yönelik tutumları ve sürece ilişkin görüşleri. *Ahi Evran Üniversitesi Kırşehir Eğitim Fakültesi Dergisi*, 18(3), 931-947.
- Karabağ, G. (2014). Tarih öğretmen adaylarının yaratıcı dramaya yönelik tutumları. *GEFAD/GUJGEF*, 35(1), 27-46.
- Kara, Y. ve Cam, F. (2007). Yaratıcı drama yönteminin bazı sosyal becerilerin kazandırılmasına etkisi. *Hacettepe Üniversitesi Eğitim Fakültesi Dergisi*, 32(32), 145-155.
- Kayıran, B. K. (2018). Sınıf öğretmenliği adaylarının yaratıcı dramaya ilişkin algıları ve tutumları üzerine bir çalışma. *Uludağ Üniversitesi Eğitim Fakültesi Dergisi*, 31(2), 679-708.
- Kolb, D. A. (2014). *Experiential Learning: Experience As The Source of Learning and Development*. FT press.
- McCaslin, N. (2006). *Creative Drama in The Classroom and Beyond*. Boston: Allyn and Bacon.
- Nazlier, E. N. ve Akoğlu, G. (2018). Sosyal hizmet eğitiminde yaratıcı dramanın önemi. *Yaratıcı Drama Dergisi*, 13(2), 251-260.
- Okvuran, A. (2019). Çağdaş insanı yaratmada yaratıcı drama eğitiminin önemi ve empatik beceri ve empatik eğilim düzeylerine etkisi. *Ankara University Journal of Faculty of Educational Sciences (JFES)*, 27(1), 135-194.
- Okvuran, A. (2000). Yaratıcı dramaya yönelik tutumlar. Yayınlanmamış Doktora Tezi. Ankara Üniversitesi, Ankara.
- O'Neill, C. (1995). *Drama Worlds: A Framework For Process Drama*. Portsmouth, England: Heinemann.
- Sevgen, M. (2016). Yaratıcı drama yoluyla çocuklara verilen sosyal beceri eğitiminin anaokulu çocuklarının sosyal gelişimlerine ve yaratıcılıklarına etkisi (Yüksek Lisans Tezi). İstanbul: İstanbul Sabahattin Zaim Üniversitesi.
- Susar Kırmızı, F. (2007). Yaratıcı drama ve yaratıcı yazma uygulamalarının yaratıcı yazma başarısına etkisi. *Eğitim ve Bilim*, 40(181), 93-115.
- Uzun, A. (2016). Sınıf öğretmenlerinin yaratıcı drama yöntemine yönelik tutum ve özyeterlikleri ile hayat bilgisi dersinde kullanımına ilişkin görüşleri. *Yayımlanmamış Yüksek Lisans Tezi*. Ahi Evran Üniversitesi, Kırşehir.
- Ünal, E. (2004). Celal Bayar Üniversitesi eğitim fakültesi sınıf öğretmenliği bölümünde öğrenim gören son sınıf öğrencilerinin ilköğretimde drama derslerine ilişkin tutumları. *Trakya Üniversitesi Sosyal Bilimler Dergisi*. 5(2), 1-15.
- Üstündağ, T. (1997). *Vatandaşlık ve insan hakları eğitimi dersinin öğretiminde yaratıcı dramanın erişime ve derse yönelik öğrenci tutumlarına etkisi*. Yayınlanmamış Doktora Tezi, Hacettepe Üniversitesi, Ankara.
- Yeğen, G. (2004). Eğitim fakültelerindeki yaratıcı drama eğitimi, drama liderliği.
- Yıldırım, Y. (2011). *Okul öncesi eğitimi öğretmen adaylarının yaratıcı drama dersine ilişkin tutumlarının incelenmesi*. Yayınlanmamış Yüksek Lisans Tezi, Selçuk Üniversitesi, Konya.

HEMŞİRELİK EĞİTİMİ VE ARTIRILMIŞ GERÇEKLİK

Ayşe EMİNOĞLU

Gaziantep İslam Bilim ve Teknoloji Üniversitesi, Sağlık Bilimleri Fakültesi, Hemşirelik Fakültesi
Gaziantep-Türkiye

ORCID ID: 0000-0002-5861-4617

Sebahat KUŞLU

Gaziantep İslam Bilim ve Teknoloji Üniversitesi, Sağlık Bilimleri Fakültesi, Hemşirelik Fakültesi
Gaziantep-Türkiye

ORCID ID: 0000-0002-5861-4617

ÖZET

Teknolojideki değişim ve gelişim süreci eğitim ve öğretim yöntemleri için fırsatlar ve zorlukları beraberinde getirmiştir. Geleneksel eğitime kıyasla teknoloji ile zenginleşen karma öğrenme yöntemleri hemşirelik eğitim sürecini de etkisi altına almıştır. Bu derlemenin amacı hemşirelik eğitiminde artırılmış gerçeklik kullanımını tanımlamak, artırılmış gerçeklik uygulamalarının sunduğu kolaylıkları ortaya koymak ve hemşirelik eğitiminde beklenen etkilerini incelemektir. Artırılmış gerçeklik uygulamaları kişilere gerçekçi bir deneyim yaşamalarına olanak tanıyan, dijital nesnelere fiziksel ortamlarla anlamlandıran karma bir ortam olarak adlandırılmaktadır. Son yıllarda eğitimcilerin öğrenme süreçlerini geliştirilmelerine katkı sağlayarak daha etkili bir öğrenme ortamı sağlanmasında etkin bir yol olarak kullanılmaktadır. Hemşirelik eğitimi de öğrenme sürecinin aktif olarak ilerlemesine destek olan yardımcı öğrenme yöntemleri ile zenginleştirilmektedir. Bilişsel, duyuşsal ve psikomotor becerileri içinde barındıran bu eğitim sürecinde hemşirelik becerilerinin gelişmesi ve yerleşmesi için teknolojinin sunduğu artırılmış gerçeklik ve sanal gerçeklik yöntemlerinin kullanımı yaygınlaşmıştır. Özellikle görsel ve işitsel bir öğrenme aracı olan artırılmış gerçeklik uygulamaları hemşirelik eğitiminde daha az ekipman kullanarak, gerçek dünya ile bağlantıyı sürdürmekte ve akıllı telefonlar gibi çoğu öğrencinin hali hazırda sahip olduğu araçlarla uygun maliyetlerde gerçekleştirilebilmektedir. Ayrıca Z kuşağı olarak adlandırılan yeni nesil öğrencilerin teknolojiye olan yatkınlığı, hemşirelik eğitimine olan ilgisini, sınıf ve ders içi etkileşimini artırmaktadır. Kullanılan artırılmış gerçeklik yöntemlerinin öğrencilerin akademik başarılarında iyileşme sağlayacağı, motivasyonu artıracığı, bilgi edinme, öğrenme ve akılda tutma süreçlerini destekleyeceği öngörülmektedir. Geleneksel öğrenme yöntemleri düşünüldüğünde artırılmış gerçeklik uygulamaları öğrenciye kendi başına öğrenme imkanı sunmaktadır. Bu kapsamda gelişen teknolojinin sunduğu fırsatların yakından takip edilerek artırılmış gerçeklik gibi destekleyici öğrenme yöntemlerinin hemşirelik eğitiminde kullanılması önem arz etmektedir.

Anahtar Kelimeler: artırılmış gerçeklik, hemşirelik eğitimi, hemşirelik öğrencisi.

NURSING EDUCATION AND AUGMENTED REALITY

ABSTRACT

The process of change and development in technology has brought opportunities and challenges for education and training methods. Compared to traditional education, blended learning methods enriched with technology have also influenced the nursing education process. The aim of this review is to define the use of augmented reality in nursing education, to reveal the conveniences offered by augmented reality applications and to examine their expected effects in nursing education.

Augmented reality applications are called a mixed environment that allows people to have a realistic experience and makes sense of digital objects with the physical environment. In recent years, it has been used as an effective way to provide a more effective learning environment by contributing to the development of educators' learning processes. Nursing education is also enriched with assistive learning methods that support the active progress of the learning process. In this educational process, which includes cognitive, affective and psychomotor skills, the use of augmented reality and virtual reality methods offered by technology for the development and placement of nursing skills has been published. Especially augmented reality applications, which are a visual and auditory learning tool, maintain the connection with the real world by using less equipment in nursing education and can be realized at affordable costs with the tools that most students already have, such as smartphones. In addition, the predisposition of new generation students, called Generation Z, to technology increases their interest in nursing education, classroom and in-class interaction. It is predicted that augmented reality methods will improve students' academic achievement, increase motivation, and support information acquisition, learning and retention processes. Considering traditional learning methods, augmented reality applications offer students the opportunity to learn on their own. In this context, it is important to use supportive learning methods such as augmented reality in nursing education by closely following the opportunities offered by developing technology.

Keywords: augmented reality, nursing education, nursing student.

GİRİŞ

Son yıllarda yenilikçi dijital teknolojinin gelişiminde bir artış olmuştur. Buna paralel olarak hemşirelik eğitiminde bilgi teknolojileri kullanımında artış görülmüştür. Teknolojideki yeni gelişmeler, eğitim ve öğretim yöntemleri için zorluklar ve fırsatları da beraberinde getirmiştir. Geleneksel eğitimle karşılaştırıldığında, teknolojiyle zenginleştirilmiş karma öğrenme yöntemlerinin sağlık ve hemşirelik eğitiminde artan kullanımı, öğrencilerin bireysel

öğrenmeleri için daha fazla sorumluluk almalarını gerektirmektedir. İleri teknolojinin kullanımı bağımsız öğrenme becerilerinin giderek daha önemli hale gelmesine neden olmuştur (Quqandi et al., 2023). Bu yeni teknolojilerden biri de artırılmış gerçekliktir. Artırılmış gerçeklik, dijital bilgileri fiziksel nesnelere anlamlı bir şekilde bütünleştiren karma bir ortam olarak adlandırılmaktadır (Wu et al., 2013). Artırılmış gerçeklik, bilgisayar tarafından oluşturulan üç boyutlu (3D) görüntüleri birleştirebilmekte ve bunları gerçek bir fiziksel ortama yansıtılabilmektedir (Kamphuis et al., 2014). Artırılmış gerçeklik ortamı, gelişmiş ancak gerçekçi bir görünüm sağlayan, gerçek nesnelere aynı görüş alanında görüntülenebilen 3 boyutlu görüntülerden veya animasyonlardan oluşmaktadır (Rochlen et al., 2017). Ortaya çıkışı 1960'larda başlamıştır, ancak artırılmış gerçekliğin kayda değer ilerlemesi 1990'ları bulmuştur (Pugoy et al., 2016). Artırılmış gerçeklik genellikle mobil cihazlar, akıllı gözlükler, tabletler veya baş üstü ekranlar aracılığıyla deneyimlenmektedir (Quqandi et al., 2023). Kullanıcıların fiziksel ortamdaki 2B veya 3B (üç boyutlu) sanal nesnelere gerçek zamanlı olarak deneyimlemelerine ve bunlarla etkileşime girmelerine olanak tanımaktadır (Chen & Liou, 2023). Artırılmış gerçeklik aracılığıyla, kullanıcı etkileşimini artırmak için sanal senaryolar gerçek dünyanın üzerine yerleştirilebilmektedir (Lin et al., 2023).

Artırılmış Gerçeklik ve Sanal Gerçeklik Karşılaştırma (Mendez et al., 2020; Quqandi et al., 2023)

Artırılmış Gerçeklik

Fiziksel bir nesne üzerinde ekstra sanal katmanlar oluşturan bir teknolojidir.

Akıllı telefon kullanarak uygun maliyetli gerçekleştirilme potansiyeli vardır.

Daha az ekipman kullanılır.

Yan etki oluşturmaz.

Geri bildirim ve etkileşimi geliştirmek için görsel ve duyuşsal ipuçlarını birleştirir. Gerçek dünyanın sanal deneyime entegre edilmesidir.

Gerçek dünya ile bağlantı kopmaz.

Sanal Gerçeklik

Gerçek dünyanın tamamen yerini alan yapay bir dijital dünyadan oluşur.

Kulaklık ve gözlük için ekstra maliyet gerektirir.

Sanal gerçeklik teknolojilerini kullanan bireyler, yönelim bozukluğu, baş dönmesi ve mide bulantısı gibi belirtilerle siber hastalık veya dijital hareket hastalığına yakalanabilir.

Kullanıcılar sanal bir ortamın içinde yer alır.

Gerçek dünya ile temas kaybına sebep olur.

Artırılmış Gerçeklik Uygulamalarının Avantajları

Artırılmış gerçeklik uygulamalarında her küçük detayın modellenmesine gerek duyulmamaktadır. Kullanıcının etkileşime geçebilmesi için gerekli dijital unsurlara ulaşması gerekmektedir. Sanal gerçeklik uygulamalarına kıyasla siber hastalıklar daha az görülmektedir. Artırılmış gerçeklik uygulamalarında mobil cihazlar gibi uygun fiyatlı donanımların kullanılması dijital bilgiyi daha hızlı işleme olanağı sağlamaktadır (Akçayır & Akçayır, 2017). Dijital araçlardan olan mobil cihazlar genellikle ek ekipmana ihtiyaç duymadan öğrenenlerin kendi cihazlarını kullanarak etkileşime girmelerine olanak tanmaktadır Maliyet etkinliği, kullanımının kolay olması, taşınabilirliği ve bağımsız kullanma imkanı ile faydalı bir öğrenme ortamı sunmaktadır. Bu sayede öğrenciye gerçek ve dijital dünya arasında geçiş kolaylığı sağlamaktadır. Günlük öğrenme için özellikle bahsedilen mobil artırılmış gerçeklik sürdürülebilir bir teknoloji olarak karşımıza çıkmaktadır (Akçayır & Akçayır, 2017; Uruthiralingam & Rea, 2020).

Artırılmış gerçeklik, bir öğrenme aracı olarak kullanıldığında öğretme ve öğrenmeyi geliştiren yeni dijital ortamlar sağlamaktadır. Artırılmış gerçekliğin kullanılabileceği alanlardan biri hemşirelik, özellikle de hemşirelik eğitimidir (Pugoy et al., 2016). Hemşire istihdamında ve kaliteli hemşirelik bakımında artan talep nedeniyle hemşirelik hizmetlerinde teknoloji kullanımının yaygınlaşmış bu durum hemşirelik eğitimini de etkilemiştir. Artan talebe oranla eğitim kurumlarında yetiştirilen öğrenci sayısında da artış olmuştur. Gerek hemşirelik bakımının sunum kalitesinde beklentilerin artması ve gerekse öğrencilerin mesleki yeterlilik ve yetkinliğini artırma çabaları hemşirelik uygulamalarında teknoloji kullanımını zorunlu hale getirmiştir (Ulupınar & Toygar, 2020). Bu kapsamda kullanılan artırılmış gerçeklik teknolojileri hemşirelik eğitiminde devrim yaratacak bir öğrenme yöntemi olmakta ve öğrenci merkezli öğrenmeyi teşvik etmek için büyük fırsatlar sunmaktadır (Mendez et al., 2020). Bu nedenle hemşirelik eğitiminde uygulama açısından oldukça ilgi çekici bir alandır (Ingrassia et al., 2020). Hemşirelik eğitiminde teori ile pratik arasındaki boşluğu doldurarak öğrencilerin hemşirelik becerilerini güvenli ortamlarda kazanmalarına fırsat sunmaktadır. Öğrencinin gerçek bir klinik ortamda algılayacağı görüntüler, sesler, kokular ve dokunsal uyaranlar artırılmış gerçeklik teknolojisi ile sunulduğunda öğrencilerin bu duyulara aşina olmasını sağlamaktadır (Vaughn et al., 2016). Eğitim teknolojisi aracı olarak kullanılan artırılmış gerçeklik, öğretme-öğrenme sürecini çok boyutlu bir şekilde etkileyerek geliştirmektedir (Rodríguez-Abad et al., 2022).

Artırılmış gerçeklik, sanal gerçekliğe göre daha yeni bir teknoloji olup, günümüzde en fazla eğitim ve öğretim araştırma alanında uygulamalara sık rastlanmaktadır (Cipresso et al., 2018). Artırılmış gerçeklik uygulamaları halihazırda sağlık eğitiminde çeşitli şekillerde kullanılmaktadır. Literatürde bulunan hemşirelik eğitimi için artırılmış gerçeklik örnekleri arasında BodyExplorer (Wüller et al., 2019), "Yüzen kalp" 3D görüntüleme (Chang & Lai, 2018) ve mLearning (akıllı telefon veya iPhone gibi mobil cihazları kullanarak)(Garrett et al., 2015) yer almaktadır. Garrett ve arkadaşları, bir klinik beceri laboratuvarında öğrencilerin kavramsal bağlantılar kurmasına olanak tanıyan hiper bağlantılı materyale erişebilmesi için Hızlı Yanıt (QR) kodlarını kullanarak mLearning'i uygulamasını geliştirmiştir (Garrett et al., 2015). Hemşirelik eğitiminde artırılmış gerçekliği araştıran diğer çalışmalar, yatak başında iletişimi ve güvenliği geliştirmek (Byrne ve Senk, 2017) ve öğrencilerin gerçekçilik algısını artırarak klinik simülasyonları geliştirmek için Google Glass gibi giyilebilir kulaklıkların kullanımını değerlendirmiştir (Vaughn et al., 2016). Bunların dışında mobil artırılmış gerçeklik (MAR) ile ilgili bir çalışmada, hemşirelik öğrencilerinin, deri altı, kas içi ve damar içi enjeksiyonları uygulama bilgi ve becerilerinin önemli ölçüde geliştiği ve öğrencilerin özgüvenini artırdığı ve kaygılarını azalttığı sonucuna ulaşılmıştır (Kurt & Öztürk, 2021). Dijital rektal muayene sırasında parmağın ve iç organların muayenesini görselleştirebildiği bir başka çalışmada ise artırılmış gerçekliğin öğrencilerin rektal muayene becerilerini kazanmasında etkili olduğu bildirilmiştir (Muangpoon et al., 2020). Hemşirelik öğrencilerinin, kalp krizi geçiren yetişkin hastalar için adım adım CPR sürecine rehberlik etmek üzere jestleri, vücut hareketlerini ve sözlü komutları kullanarak ilk yardım görevlerini gerçekleştirebildiği artırılmış gerçeklik uygulamasında öğrenciler temel yaşam desteği eğitiminde kullanılan yöntemi etkili bir öğrenme aracı olarak değerlendirmiştir (Ingrassia et al., 2020). Artırılmış gerçeklik tabanlı endotrakeal aspirasyon simülasyon aracının hemşirelik eğitiminde kullanılma olasılığının araştırıldığı bir başka çalışmada kullanılan teknolojinin endotrakeal aspirasyon öğrenmede için etkili bir öğretim aracı olduğu belirlenmiştir (Arakida et al., 2023). Hemşirelik öğrencilerine ve mesleğe yeni başlayan hemşirelere ameliyat öncesi yapılacak işlemlerin öğretilmesi ve uygulamalara ilişkin geri bildirim sağlanması için artırılmış gerçeklik gözlüğünün kullanıldığı bir çalışmada ise uygulamanın öğrencilerin psikomotor becerilerini geliştirmek için büyük bir potansiyele sahip olduğu belirlenmiştir (Taçgın & Taçgın, 2020). Öğrenenlerin nazogastrik sonda uygulama becerilerini artırmayı amaçlayan NAZO-AR programının kullanıldığı başka bir artırılmış gerçeklik teknolojisi ile öğrencilere nazogastrik tüp uygulama becerisi kazandırılmıştır (Şendir & Kızıl, 2019). Öğrenenlerin mesane

kateterizasyonu ve intravenöz (damar içi) ilaç uygulama becerilerini geliştirmek için artırılmış gerçekliğin kullanıldığı çalışmada ise öğrenciler beceriyi uygulama konusunda kendilerine güven duyduklarını ve kullandıkları artırılmış gerçeklik uygulamasını anladıklarını belirtmiştir (Tilghman et al., 2018).

Eğitimde Artırılmış Gerçekliğin Faydaları

Artırılmış gerçeklik teknolojilerinin benimsenmesi çeşitli faydalar sağlayabilir. İlk olarak, artırılmış gerçeklik uygulamaları öğrencilerin gerçekçi bir deneyim yaşamasını sağlayarak eğitimcilerin öğrenme süreçlerini geliştirmelerinde yaratıcı bir yol sunmaktadır (Quqandi et al., 2023). Öğrenciler için güvenli ve kontrollü bir ortam yaratarak, gerçek hastaları riske atmadan becerilerini öğrenmelerine ve uygulamalarına olanak tanır. İkincisi, öğrencilerin geleneksel eğitim ortamlarında karşılaşmayacakları çok çeşitli uygulama becerilerini deneyimlemelerini sağlayabilmektedir (Duan et al., 2019).

Artırılmış gerçeklik uygulamaları hemşirelik eğitiminde özgün, etkileşimli, somut, ilgi çekici ve görsel bir öğrenme aracı olarak kullanılmaktadır. Özellikle yapılan çalışmalar artırılmış gerçeklik uygulamaları ile öğrencilerin motivasyonu artarak akademik başarılarının iyileştiğini, bilgi edinme, öğrenme ve akılda tutmaya yardımcı olduğunu vurgulamaktadır (Quqandi et al., 2023). Artırılmış gerçeklik uygulamaları hem sanal ortam hem de gerçek zamanda öğrenmeyi teşvik ederken sanal dünya ile gerçek dünya arasında yumuşak bir geçişe izin vermektedir (Gavish et al., 2015). Öğrenciler uygulama sırasında kendi ile baş başa kalarak kendi kendine öğrenme fırsatı bulmaktadır (Mat-jizat et al., 2017). Geleneksel öğrenme yöntemlerinin yerini alarak öğrenci merkezli yenilikçi bir öğrenme deneyimi sunmaktadır (Yuen et al., 2011). Öğrenci merkezli bir öğrenme yaklaşımı, deneyimleri daha amaçlı ve anlamlı hale getirerek öğrencilerin öğrenme deneyimlerini geliştirdiği bilinmektedir (Mendez et al., 2020). Ayrıca öğrencileri yeni teknolojilerle tanıştırmak derse olan ilgiyi artırırken artırılmış gerçeklik uygulamalarının benimsenmesine yardımcı olabileceği düşünülmektedir (Byrne & Senk, 2017). Çok sayıda öğrencinin olduğu veya ekipman kaynaklarının bulunmadığı durumlarda, artırılmış gerçeklik teknolojisinin hemşirelik beceri eğitiminde uygulanması öğretimi kolaylaştırarak zamanı etkin kullanmayı sağlamaktadır. Bunun yanı sıra artırılmış gerçeklik eğitim maliyetlerini azaltabilir, aynı zamanda hastaların yüksek riskli ortamlara maruz kalmasını da önleyebilir. Bu durum öğrencilerin beceri eğitimlerini güvenli ve emniyetli bir durumda yürütmelerine olanak tanır (Bauman, 2016; Martlı & Dinçer, 2021). Artırılmış gerçeklik zaman ve mekan sınırlaması olmaksızın etkili dijital eğitim olanağı sağlamaktadır

(Chen & Liou, 2023). Artırılmış gerçeklik uygulamaları ile öğrenenler, gerekli buldukları sıklıkta pratik yapabilir, bilgisayar yazılımları sayesinde öğreticiler öğrencinin yaptığı eylemin sonucunu görebilme fırsatı yakalayabilir ve gerekli becerilerin eğitiminde daha iyi sonuçlar sağlayabilir (Yüksekdağ, 2021).

Eğitimde Artırılmış Gerçekliğin Dezavantajları

Hemşirelik eğitimden artırılmış gerçeklik uygulamalarına yönelik olası zorluklarla da karşılaşılabilir. Örneğin, bir klinik beceri laboratuvarında mLearning uygulamasının kullanıldığı bir çalışmada QR kodlarını kullanırken, öğretim üyeleri QR kodlarını tarama sorunları ve internet bağlantı sorunları gibi teknik sorunları ile karşılaşmıştır (Garrett et al., 2015). Artırılmış gerçekliğin yaygın kullanımının görülmemesi ve yazılım geliştirme maliyetlerinin fazla olması karşımıza çıkan diğer bazı dezavantajlardır (Shorey & Ng, 2021). Bunların yanı sıra öğrenciler artırılmış gerçeklik uygulamalarına ilişkin yetersiz deneyime sahip olabilir. Gerçeklik ve sanal nesnelere arasında kalan öğrenci dikkatini tam olarak uygulamaya veremeyebilir. (Byrne & Senk, 2017). Ayrıca gelişmiş ülkelerdeki öğrenciler ile gelişmekte olan ülkelerdeki öğrenciler arasında artırılmış gerçeklik uygulamalarının geliştirilmesi ve kullanımı konusunda bir boşluk bulunmaktadır. Bu nedenle hemşirelik eğitiminin kalitesi ülkelerinin ekonomik koşullarından ve eğitime harcadıkları yatırımlardan da etkilenmektedir. Bu durum profesyonel hemşire yetiştirilmesi için aynı imkanlara sahip olmayan öğrenciler arasında büyük farklar oluşmasına da sebep olmaktadır (Pugoy et al., 2016).

SONUÇ VE ÖNERİLER

Türkiye’de hemşirelik eğitimi veren okullarda öğretim elemanının sayıca yetersiz olması, öğrenci sayısının fazla olması, beceri laboratuvarlarının uygun koşullarda olmaması, beceri değerlendirme araçlarının çağın gerisinde kalması eğitim ve öğretim sürecinin niteliğini olumsuz etkilemektedir. Hemşirelik eğitimi üzerinde önemli etkileri olan artırılmış gerçeklik gibi yenilikçi teknolojiler anlamlı öğrenme ve öğrenilenlerin uygulama ortamlarına aktarımı konusunda güçlü bir potansiyele sahiptir. Bu nedenle artırılmış gerçeklik uygulamalarına yönelik hemşirelik eğitimi veren okullarda eğitimcilerin artırılmış gerçeklik kullanma becerileri konusunda eğitimi olması önemlidir. Hemşirelik eğitiminde uygulanması tasarlanan artırılmış gerçeklik uygulamaları için eğitimcilerin multidisipliner çalışması da gerekmektedir. Artırılmış gerçeklik teknolojilerinin hem öğrenciler hem de öğretmenler tarafından nasıl kullanılacakları ve uygulayacakları konusunda yeterince eğitilmeleri ve sorun giderme konusunda yardıma ihtiyaç duyan eğitimcilere yeterli teknik desteği sağlaması önemlidir. Ayrıca artırılmış gerçeklik

uygulamalarına yönelik öğrenci sonuçlarını ve yeterliliklerini değerlendiren uygulamaların kullanılması da daha iyi sonuçlar elde edilmesini sağlayacaktır. Hemşirelik eğitimi için eğitim kurumları ve fakültelerin artırılmış gerçeklik teknolojilerine önemli miktarda para, zaman ve ekip gibi imkanlar ayırması gerekmektedir. Eğitim ve öğretim ortamında yetersiz ve uygun olmayan artırılmış gerçeklik uygulamaları geleneksel öğretim uygulamalarından daha iyi olmadığı unutulmamalıdır. Bu nedenle hemşirelik eğitiminde artırılmış gerçeklik teknolojilerinin iyi ve uygun koşullarda tasarlanması hemşirelik eğitiminin geleceğini güçlendirecektir. Artırılmış gerçeklik ve sanal gerçeklik teknolojilerinin eğitimde etkin şekilde kullanılması donanımlı ve profesyonel hemşire yetiştirilmesine katkı sağlayacaktır. Artırılmış gerçeklik teknolojisi hemşirelik eğitiminde henüz emekleme aşamasındadır. Bu nedenle hemşirelik eğitiminde artırılmış gerçeklik kullanımını geliştirmeye yönelik artan bir ihtiyaç vardır. Bu kapsamda bu yeni teknolojilere ayak uydurmak ve hemşirelik eğitime entegre etmek için daha fazla çalışmanın yapılması ve hemşirelik uygulamalarına yansması önemlidir. Artırılmış gerçeklik teknolojisinin hemşirelik eğitiminde kullanımının yaygınlaşması için ulusal ve uluslararası projelerin geliştirilmesi ve desteklenmesi de önemlidir.

KAYNAKLAR

- Akçayır, M., & Akçayır, G. (2017). Advantages and challenges associated with augmented reality for education: A systematic review of the literature. *Educational research review*, 20, 1-11.
- Arakida, M., Takahashi, T., Matsuda, Y., Yamabe, Y., Miyamoto, C., Aoki, E., Takahashi, S., Ando, M., Moriya, T., & Kodama, S. (2023). Investigation of the possibility of using an augmented reality-based endotracheal aspiration simulation tool for nursing education. *Japan Journal of Nursing Science*, e12573.
- Bauman, E. B. (2016). Games, virtual environments, mobile applications and a futurist's crystal ball. *Clinical Simulation in Nursing*, 12(4), 109-114.
- Byrne, P. J., & Senk, P. A. (2017). Google glass in nursing education: accessing knowledge at the point of care. *CIN: Computers, Informatics, Nursing*, 35(3), 117-120.
- Chang, Y. M., & Lai, C. L. (2018). "Floating Heart" Application of Holographic 3D Imaging in Nursing Education. *International Journal of Nursing Education*, 10(4).
- Chen, P.-J., & Liou, W.-K. (2023). The effects of an augmented reality application developed for paediatric first aid training on the knowledge and skill levels of nursing students: An experimental controlled study. *Nurse education today*, 120, 105629.
- Cipresso, P., Giglioli, I. A. C., Raya, M. A., & Riva, G. (2018). The past, present, and future of virtual and augmented reality research: a network and cluster analysis of the literature. *Frontiers in psychology*, 2086.
- Duan, Y.-y., Zhang, J.-y., Xie, M., Feng, X.-b., Xu, S., & Ye, Z.-w. (2019). Application of virtual reality technology in disaster medicine. *Current medical science*, 39, 690-694.
- Garrett, B. M., Jackson, C., & Wilson, B. (2015). Augmented reality m-learning to enhance nursing skills acquisition in the clinical skills laboratory. *Interactive Technology and Smart Education*, 12(4), 298-314.
- Gavish, N., Gutiérrez, T., Webel, S., Rodríguez, J., Peveri, M., Bockholt, U., & Tecchia, F. (2015). Evaluating virtual reality and augmented reality training for industrial maintenance and assembly tasks. *Interactive Learning Environments*, 23(6), 778-798.

- Ingrassia, P. L., Mormando, G., Giudici, E., Strada, F., Carfagna, F., Lamberti, F., & Bottino, A. (2020). Augmented reality learning environment for basic life support and defibrillation training: usability study. *Journal of medical Internet research*, 22(5), e14910.
- Kamphuis, C., Barsom, E., Schijven, M., & Christoph, N. (2014). Augmented reality in medical education? *Perspectives on medical education*, 3, 300-311.
- Kurt, Y., & Öztürk, H. (2021). The effect of mobile augmented reality application developed for injections on the knowledge and skill levels of nursing students: An experimental controlled study. *Nurse education today*, 103, 104955.
- Lin, Y.-C., Lin, P.-C., Lin, P.-C., Lin, C.-Y., Kabasawa, Y., Choi, Y.-K., & Huang, H.-L. (2023). Combining augmented and virtual reality simulation training to improve geriatric oral care performance in healthcare assistants: A randomized controlled trial. *Digital Health*, 9, 20552076231203891.
- Martlı, E. P., & Dinçer, N. U. (2021). Technology in nursing education: Augmented reality. *Pamukkale Üniversitesi Mühendislik Bilimleri Dergisi*, 27(5), 627-637.
- Mat-jizat, J. E., Jaafar, H., & Yahaya, R. (2017). Measuring the effectiveness of augmented reality as a pedagogical strategy in enhancing student learning and motivation. *International Journal of Academic Research in Business and Social Sciences*, 7(1), 225-240.
- Mendez, K. J., Piasecki, R. J., Hudson, K., Renda, S., Mollenkopf, N., Nettles, B. S., & Han, H.-R. (2020). Virtual and augmented reality: Implications for the future of nursing education. In (Vol. 93, pp. 104531): Elsevier.
- Muangpoon, T., Haghighi Osgouei, R., Escobar-Castillejos, D., Kontovounisios, C., & Bello, F. (2020). Augmented reality system for digital rectal examination training and assessment: system validation. *Journal of medical Internet research*, 22(8), e18637.
- Pugoy, R. A. D., Ramos, R. C., Figueroa Jr, R. B., Rivera, M. H. C., Siritarungsri, B., Cheevakasemsook, A., Noimuenwai, P., & Kaewsarn, P. (2016). Augmented reality in nursing education: addressing the limitations of developing a learning material for nurses in the Philippines and Thailand. *International Journal on Open and Distance e-learning*, 2(1).
- Quqandi, E., Joy, M., Drumm, I., & Rushton, M. (2023). Augmented Reality in Supporting Healthcare and Nursing Independent Learning: Narrative Review. *Comput Inform Nurs*, 41(5), 281-291. <https://doi.org/10.1097/cin.0000000000000910>
- Rochlen, L. R., Levine, R., & Tait, A. R. (2017). First person point of view augmented reality for central line insertion training: A usability and feasibility study. *Simulation in healthcare: journal of the Society for Simulation in Healthcare*, 12(1), 57.
- Rodríguez-Abad, C., Rodríguez-González, R., & Martínez-Santos, A.-E. (2022). Effectiveness of augmented reality in learning about leg ulcer care: A quasi-experimental study in nursing students. *Nurse education today*, 119, 105565.
- Shorey, S., & Ng, E. D. (2021). The use of virtual reality simulation among nursing students and registered nurses: A systematic review. *Nurse education today*, 98, 104662.
- Şendir, M., & Kızıl, H. (2019). Nazogastrik tüp uygulama öğretiminde yenilikçi bir yaklaşım: NAZO-AR. *Düzce Üniversitesi Sağlık Bilimleri Enstitüsü Dergisi*, 9(2), 86-90.
- Taçgın, Z., & Taçgın, E. (2020). Akıllı Bir Çoklu Model Arttırılmış Gerçeklik Uygulaması Ameliyat Öncesi Prosedür Becerilerinin Öğretilmesi. *Bilişim Teknolojileri Dergisi*, 57-63.
- Tilghman, J., Doswell, J., Collington, D., Utili, S., & Watties-Daniels, S. (2018). Innovative utilization of augmented reality and simulation to promote nursing practice. *Annals of Nursing Primary Care*, 1(1), 1-3.
- Ulupınar, F., & Toygar, Ş. A. (2020). Hemşirelik eğitiminde teknoloji kullanımı ve örnek uygulamalar. *Fiscaoeconomia*, 4(2), 524-537.
- Uruthiralingam, U., & Rea, P. M. (2020). Augmented and virtual reality in anatomical education—a systematic review. *Biomedical Visualisation: Volume 6*, 89-101.
- Vaughn, J., Lister, M., & Shaw, R. J. (2016). Piloting augmented reality technology to enhance realism in clinical simulation. *CIN: Computers, Informatics, Nursing*, 34(9), 402-405.
- Wu, H.-K., Lee, S. W.-Y., Chang, H.-Y., & Liang, J.-C. (2013). Current status, opportunities and challenges of augmented reality in education. *Computers & education*, 62, 41-49.
- Wüller, H., Behrens, J., Garthaus, M., Marquard, S., & Remmers, H. (2019). A scoping review of augmented reality in nursing. *BMC nursing*, 18(1), 1-11.

Yuen, S. C.-Y., Yaoyuneyong, G., & Johnson, E. (2011). Augmented reality: An overview and five directions for AR in education. *Journal of Educational Technology Development and Exchange (JETDE)*, 4(1), 11.

Yüksekdağ, B. B. (2021). Sağlık profesyonellerinin eğitiminde artırılmış gerçeklik uygulamaları. *Açıköğretim Uygulamaları ve Araştırmaları Dergisi*, 7(2), 130-148.

KÜLTÜREL YETERLİLİK VE KÜLTÜREL TEVAZU**Sebahat KUŞLU**

¹Gaziantep İslam Bilim ve Teknoloji Üniversitesi, Sağlık Bilimleri Fakültesi, Hemşirelik Bölümü,
Beştepe, Şahinbey/Gaziantep
ORCID ID: 0000-0002-5861-4617

Ayşe EMİNOĞLU

²Gaziantep İslam Bilim ve Teknoloji Üniversitesi, Sağlık Bilimleri Fakültesi, Hemşirelik Bölümü,
Beştepe, Şahinbey/Gaziantep
ORCID ID: 0000-0002-6738-5529

ÖZET

Kültür, bir topluluğun ırksal, dini ve sosyal normlarını ve yapılarını oluşturan dinamik bir yapıdır. Bu yapı, toplumdaki inanç, değer, tutum, davranış ve gelenekleri içerir ve dolayısıyla sağlık ve hastalık kavramlarını da etkiler. Göçler, ekonomik zorluklar, küreselleşme ve savaşlar gibi faktörler nedeniyle toplumlar giderek çok kültürlü hale gelmektedir. Bu dönüşüm, farklı kültürlerden bireylere hizmet veren sağlık çalışanları gibi meslek mensuplarında kültürel çatışma ve karmaşıklıklara yol açabilir, bu da hasta memnuniyetini olumsuz yönde etkileyebilir. Sağlık bakım uygulamalarının temellerinden biri olan kültürel yeterlilik ve kültürel tevazu kavramları, bu bağlamda öne çıkar. Kültürel tevazu, ilk olarak 1998'de ortaya atılmıştır. Bu kavram, güç dengesizliklerini azaltmayı, öz değerlendirme ve öz eleştiriyi içeren yaşam boyu bağlılık anlamına gelir. Öte yandan kültürel yeterlilik, bir yapı, sistem, kuruluş veya meslek grubunun etkili bir şekilde işlemlerini sağlayan uyumlu ve ortak davranış, tutum ve politikalarından oluşur.

Kültürel tevazu, günümüzde giderek daha fazla önem kazanmaktadır, çünkü kültürel yeterliliğin sınırlı ve zor bir süreç olduğu düşünülmektedir. Bu nedenle, kültürel yeterlilik süreçlerine kültürel tevazunun entegre edilmesi, yaşam boyu devam eden bir kültürel öğrenmeyi sağlar. Bu, sağlık bakımında birey merkezli bir yaklaşımın benimsenmesine ve daha güvenli klinik ortamların oluşturulmasına katkıda bulunur. Kültürel tevazu her bireyin farklı, eşsiz ve değerli bir varlık olduğuna, kültürel farklılıkların olağan bir durum olduğuna, açık fikirli ve hoşgörülü olmaya odaklanmaktadır.

Anahtar Kelimeler: Kültür, Kültürel Yeterlilik, Kültürel Tevazu

CULTURAL COMPETENCE AND CULTURAL HUMILITY

ABSTRACT

Culture is a dynamic construct that forms the racial, religious and social norms and structures of a community. It includes the beliefs, values, attitudes, behaviors and traditions of a society and thus influences the concepts of health and illness. Societies are becoming increasingly multicultural due to factors such as migration, economic difficulties, globalization and wars. This transformation may lead to cultural conflicts and complexities in professionals such as healthcare professionals who serve individuals from different cultures, which may negatively affect patient satisfaction.

The concepts of cultural competence and cultural humility, which are among the foundations of health care practices, come to the fore in this context. Cultural humility was first introduced in 1998. It refers to a lifelong commitment that includes reducing power imbalances, self-assessment and self-criticism. Cultural competence, on the other hand, consists of the coherent and shared behaviors, attitudes and policies that enable a structure, system, organization or professional group to function effectively.

Cultural humility is becoming increasingly important today because cultural competence is considered to be a limited and difficult process. Therefore, integrating cultural humility into cultural competence processes enables lifelong cultural learning. This contributes to the adoption of a person-centered approach to health care and safer clinical environments. Cultural humility focuses on recognizing that each individual is different, unique and valuable, that cultural differences are normal, and on being open-minded and tolerant.

Keywords: Culture, Cultural Competence, Cultural Humility

GİRİŞ

Kültür; ırksal, dini ve sosyal bir topluluğun geleneksel normlarını ve yapılarını oluşturan dinamik ve gelişen bir yapıdır (Trinh et al., 2021). Bir toplumdaki inanç, değer, tutum, davranış ve gelenekleri içeren dolayısıyla sağlık ve hastalık kavramlarını da etkileyen bir süreçtir. Göçler, ekonomik sorunlar, küreselleşme ve savaşlar nedeniyle toplumlar giderek çok kültürlü bir hale dönüşmektedir (Alizadeh & Chavan, 2016). Örneğin; Amerika Birleşik Devletleri (ABD)'nin 2044 yılına kadar çoğunluğu azınlık olan bir ülke haline geleceği belirtilmektedir (Yeung et al., 2018). Bu çok kültürlü yapıya dönüşme sonucunda da farklı kültürlerden bireylere hizmet veren meslek mensuplarında kültürel çatışma ve karmaşıklıklar oluşabileceği ve hasta memnuniyetinin azalacağı belirtilmektedir (Kuşlu & Koçak, 2023; Yeung et al., 2018).

Bu mesleklerden biri de sağlık çalışanlarıdır. Kültürel yeterlilik ve kültürel tevazu kavramları sağlık bakım uygulamalarının başlıca temellerindedir (Sharifi et al., 2019).

Kültürel tevazu (alçakgönüllülük) kavramı ilk kez 1998 yılında Tervalon ve Murray-Garcia tarafından dile getirilmiştir. Buna göre kültürel alçakgönüllülük; güç dengesizliklerini ortadan kaldırmaya yarayan, öz değerlendirme ve öz eleştiriye içeren yaşam boyu bağlılığı içermektedir (Tervalon & Murray-Garcia, 1998). Kültürel yeterlilik ise; bir yapı, sistem, kuruluş ya da meslek grubunun etkili bir şekilde işlemlerini sağlayan bir dizi uyumlu ve ortak davranış, tutum ve politikalarıdır (Trinh et al., 2021). Kültürel yeterlilik kavramının yaygın olarak kullanılmasına karşın kültürel tevazu, günümüzde giderek önem kazanmaya başlamıştır (Foronda et al., 2016). Çünkü kültürel yeterliliğin, sınırlı ve ulaşılmaz güç bir süreç olduğu bireyin kültürel olarak tam anlamıyla yeterli, farkında, bilgili ve beceri sahibi olmasının mümkün olmadığı belirtilmektedir (Rodriguez & Pandya, 2023). Kültürel tevazuyu önemli kılan diğer nitelikleri arasında açıklık, egosuzluk, destekleyicilik, öz eleştiri, saygı ve yaşam boyu öğrenme bulunmaktadır. Yani bu nitelikler yeterince anlaşıldığında ve bu doğrultuda davranışlar sergilendiğinde birey, aile, toplum ve hemşire arasında karşılıklı faydaya ve en iyi bakım kalitesine ulaşılmış olacaktır (Foronda et al., 2016). Bu da hasta çıktılarına olumlu şekilde etkileyecektir. Kültürel yeterlilik süreçlerine kültürel tevazunun entegre edilmesiyle yaşam boyu devam edecek bir kültürel öğrenme sağlanmış olacaktır (Rodriguez & Pandya, 2023). Çünkü; kültürel yeterlilikte hemşire bakımın merkezinde yer alırken kültürel tevazuda hasta/sağlıklı birey bakımın merkezinde yer almaktadır. Bunun sonucunda da birey merkezli bakım sağlanmış ve daha güvenli klinik ortam sağlanmış olmaktadır (Foronda et al., 2022).

Kültürel modeller farklı noktalara vurgu yapmasına rağmen genel olarak şu konularda örtüşmektedir:

Kültürel farkındalık: Kendi kültürünün veya başka bir kültürün inanç, tutum, değer ve normlarını tanıyıp yorumlayarak kültürel gruplar arasındaki benzerlik ve farklılıkların farkında olmaktır (Smith et al., 2022). Yani kısaca; kendi kültürüne ya da başka bir kültürel yapıya, tarafsız bir gözlemci olarak bakabilmektir (Tuna, 2011).

Kültürel güvenlik: Sağlık bakımı sağlayıcılarının edindiği kültürel bilgileri ve yetkinlikleri, bireylerin sağlık hizmeti alırken güvende hissetmesini destekleyecek biçimde kullanmasıdır (Marriott et al., 2019). Kültürel güvenlik, sağlık hizmetlerinde meydana gelen eşitsizlikleri inceleyerek ortadan kaldırmayı amaçlar. Bu eşitsizliklerin, kültürel dinamikler arasındaki güç

farkından, sosyal belirleyicilerin eşitsiz dağılımından, ayrıcalıklardan ve ırkçılıktan kaynaklandığı ifade edilmektedir (Smith et al., 2022).

Kültürel alçakgönüllülük: Temel hedefi, kültürün birey yaşamında önemli bir yere sahip olduğunu ve tedavi-bakım süreçlerini etkileyebileceğini anlamaktır (Alvarez et al., 2020). Bakım verilen bireyin yaşam deneyimlerini bilmediğini ve bu deneyimleri öğrenmeye açık olduğunu kabul etmektir (Lekas et al., 2020). Başka bir kişiyle, onun inanç, değer, tutum ve geleneklerine saygı göstererek iletişim kurma sürecidir (Stubbe, 2020).

Kültürel Alçakgönüllülüğün Temel Varsayımları:

- Her birey diğerlerinden farklıdır. Ancak içinde yaşadığımız küresel topluluğun bir parçasıdır. Bu nedenle her birey eşsiz ve değerlidir.
- Her insan eşit değere sahiptir. Kültürel özellikleri ya da yaşam biçimi nedeniyle kimse kimseden üstün ya da alçak değildir.
- Kültürel farklılıklar ve çatışmalar hayatın olağan ve beklendiği birer parçasıdır.
- Tüm insanlar yaşam boyu öğrenme halindedir (Foronda, 2020).

Kültürel beceri: Kültürel açıdan yetkin bir bakım sağlamak için gerekli olan zihinsel ve fiziksel becerilerdir. Sosyo-kültürel farkındalık, kişilerarası iletişim becerisi, duygusal zeka ve kültürel farkındalık kavramlarının kullanımıyla ilişkilidir (Smith et al., 2022).

Kültürel zeka: Kültürel çeşitliliğin temel kavramlarını ve özelliklerini bilme, doğru varsayımda bulunma, işleme, yönetme ve bu kültürel çeşitlilikle başedebilme yeteneğidir (Majda et al., 2021).

Kültürel yeterlilik: Başka kültürlerden bireylerin davranış ve düşüncelerini bilmeyi ve anlamaya çalışmayı, farklılıkları kabul etmeyi içeren bir süreçtir (Eğinli, 2011). Öğretilebilen, eğitilebilen ve dışarıdan bir güçle elde edilebilen bir beceridir (Stubbe, 2020).

Kültürel yeterlilik ve kültürel tevazu kavramları sıklıkla karşılaştırılmakta ve birbirlerine olan üstünlüklerine vurgu yapılmaktadır. Ancak sağlık bakım hizmeti sunarken; bu iki kavram arasındaki sinerjik süreçler dikkate alınmalı, bir bütün olarak ve hasta merkezli bir bakım sunulmalıdır (Stubbe, 2020). Bunun sonucunda kültürel açıdan yetkin bir bakım sunulmuş olacaktır. Tablo 1’de kültürel yeterlilik ve kültürel tevazu kavramlarını birbirinden ayıran bazı temel noktalar bulunmaktadır.

Tablo 1. Kültürel Yeterlilik ve Kültürel Tevazu Arasındaki Farklar

Kültürel Yeterlilik	Kültürel Tevazu
Etkili bir şekilde kültürler arası etkileşimde bulunma becerisiyle ilgilenir.	Açık fikirlilik ve öğrenmeye istekli bir tavır sergileme, hoşgörülü ve saygılı olma konusuna odaklanır.
Etkili bir iletişim kurma, işbirliği yapma ve çatışmaları çözmeyi hedefler.	Diğer kültürlerle açıklık ve empatiyle yaklaşmayı ve önyargıları azaltmayı hedefler.
Bazı temel kültürel becerilerin öğrenilmesini ve geliştirilmesini içerir, bu nedenle eğitim programları ve profesyonel gelişim faaliyetleri ile bu beceriler kazandırılabilir.	Kişisel bir gelişim meselesidir ve bireyin kendi zihinsel süreçlerini ve tutumlarını geliştirmeye yönelik kişisel bir çaba gerektirir.
Genellikle profesyonel ve iş ortamlarında, kültürel çeşitliliğe sahip gruplarla etkileşimde bulunurken gereklidir.	Hem profesyonel hem de sosyal ilişkilerde önemlidir.

SONUÇ

Kültürel yeterlilik ve kültürel tevazu, sağlık hizmetlerinde önemli kavramlardır ve etkili hasta bakımının temelini oluştururlar. Kültürel yeterlilik, sağlık profesyonellerinin farklı kültürlerden gelen hastalarla etkili bir şekilde iletişim kurma, uygun bakım sağlama ve kültürel farklılıklara saygı gösterme becerisini ifade eder. Bununla birlikte, kültürel yeterliliğin yanı sıra kültürel tevazu da giderek daha fazla önem kazanmaktadır. Kültürel tevazu, sağlık çalışanlarının kendi kültürel bakış açılarını sorgulama, hastaların kültürel inançlarına açık bir şekilde yaklaşma ve sağlık hizmetlerini kültürel olarak duyarlı bir şekilde sunma yeteneğini ifade eder. Bu nedenle, kültürel yeterlilik ve kültürel tevazu, kültürel farkındalık ve hassasiyetin artırılması, hasta memnuniyetinin ve bakım kalitesinin iyileştirilmesi için sağlık hizmetlerinde vazgeçilmez öneme sahiptir. Bu kapsamda sağlık hizmetlerinde kültürel yeterliliği ve tevazuyu geliştirmeye yönelik;

- Bireyin kendi kültürü ve etkileşim kurduğu bireyin kültürünü bilmesi, anlaması ve önyargısız yaklaşması,

- Sözlü ve sözsüz iletişim becerilerini geliştirmesi,
- Hemşirelik sürecinde amaç birey merkezli bakımı sağlamak olmalı,
- Farklı kültürel ortamlarda hizmet verecek hemşirelere bu kültürlerin inançları, giyim biçimleri, yeme alışkanlıkları, dil özellikleri, değer ve tutumları konularında bilgilendirme yapılması,
- Hemşirelik lisans eğitim programları ve mesleki eğitimler yoluyla kültürlerarası eğitimler verilmeli,
- Çok kültürlü takım çalışması becerilerinin kazandırılması,
- Kişisel önyargı ve stereotiplerin hastanın bakım ve tedavisini nasıl etkileyebileceğinin farkında olunmalı,
- Kişiler arası farklılıkları farkına varmak, yorumlayabilmek ve değerlendirebilmek,
- Kültürel çeşitlilikleri bir sorun olarak değil birbirine saygı duymayı, empati kurmayı, sorunları farketmeyi ve ortak çözümler bulmayı sağlayan bir süreç olarak ele almak gereklidir.

KAYNAKLAR

- Alizadeh, S., & Chavan, M. (2016). Cultural competence dimensions and outcomes: a systematic review of the literature. *Health & social care in the community*, 24(6), e117-e130. <https://doi.org/https://doi.org/10.1111/hsc.12293>
- Alvarez, E. E., Gilles, W. K., Lygo-Baker, S., & Chun, R. (2020). Teaching cultural humility and implicit bias to veterinary medical students: a review and recommendation for best practices. *Journal of Veterinary Medical Education*, 47(1), 2-7. <https://doi.org/https://doi.org/10.3138/jvme.1117-173r1>
- Eğimli, A. T. (2011). Kültürlerarası Yeterliliğin Kazanılmasında Kültürel Farklılık Eğitimlerinin Önemi. *Öneri Dergisi*, 9(35), 215-227.
- Foronda, C. (2020). A theory of cultural humility. *Journal of Transcultural Nursing*, 31(1), 7-12. <https://doi.org/https://doi.org/10.1177/1043659619875184>
- Foronda, C., Baptiste, D.-L., Reinholdt, M. M., & Ousman, K. (2016). Cultural humility: A concept analysis. *Journal of Transcultural Nursing*, 27(3), 210-217. <https://doi.org/https://doi.org/10.1177/1043659615592677>
- Foronda, C., Prather, S., Baptiste, D.-L., & Luctkar-Flude, M. (2022). Cultural humility toolkit. *Nurse educator*, 47(5), 267-271. <https://doi.org/10.1097/NNE.0000000000001182>
- Kuşlu, S., & Koçak, H. S. (2023). The problems faced by the mothers from two different cultures and cultural practices in infant care. *Journal of Neonatal Nursing*. <https://doi.org/https://doi.org/10.1016/j.jnn.2023.01.005>
- Lekas, H.-M., Pahl, K., & Fuller Lewis, C. (2020). Rethinking cultural competence: Shifting to cultural humility. *Health services insights*, 13, 1178632920970580. <https://doi.org/https://doi.org/10.1177/1178632920970580>
- Majda, A., Bodys-Cupak, I. E., Zalewska-Puchała, J., & Barzykowski, K. (2021). Cultural Competence and Cultural Intelligence of Healthcare Professionals Providing Emergency Medical Services. *Int J Environ Res Public Health*, 18(21). <https://doi.org/10.3390/ijerph182111547>
- Marriott, R., Strobel, N. A., Kendall, S., Bowen, A., Eades, A. M., Landes, J. K., Adams, C., & Reibel, T. (2019). Cultural security in the perinatal period for Indigenous women in urban areas: a scoping review. *Women Birth*, 32(5), 412-426. <https://doi.org/10.1016/j.wombi.2019.06.012>

- Rodriguez, R., & Pandya, A. G. (2023). Cultural Competence and Humility. *Dermatologic Clinics*, 41(2), 279-283. <https://doi.org/https://doi.org/10.1016/j.det.2022.10.004>
- Sharifi, N., Adib-Hajbaghery, M., & Najafi, M. (2019). Cultural competence in nursing: A concept analysis. *International journal of nursing studies*, 99, 103386. <https://doi.org/https://doi.org/10.1016/j.ijnurstu.2019.103386>
- Smith, C. B., Purcell, L. N., & Charles, A. (2022). Cultural Competence, Safety, Humility, and Dexterity in Surgery. *Curr Surg Rep*, 10(1), 1-7. <https://doi.org/10.1007/s40137-021-00306-5>
- Stubbe, D. E. (2020). Practicing Cultural Competence and Cultural Humility in the Care of Diverse Patients. *Focus (Am Psychiatr Publ)*, 18(1), 49-51. <https://doi.org/10.1176/appi.focus.20190041>
- Tervalon, M., & Murray-Garcia, J. (1998). Cultural humility versus cultural competence: A critical distinction in defining physician training outcomes in multicultural education. *Journal of health care for the poor and underserved*, 9(2), 117-125. <https://doi.org/https://doi.org/10.1353/hpu.2010.0233>
- Trinh, N. H., Jahan, A. B., & Chen, J. A. (2021). Moving from Cultural Competence to Cultural Humility in Psychiatric Education. *Psychiatr Clin North Am*, 44(2), 149-157. <https://doi.org/10.1016/j.psc.2020.12.002>
- Tuna, S. (2011). Kültürel farkındalık yaratma açısından sanat eleştirisi öğretimi. *İlköğretim Online*, 10(2), 569-575.
- Yeung, A. S., Trinh, N.-H. T., Chen, J. A., Chang, T. E., & Stern, T. A. (2018). Cultural humility for consultation-liaison psychiatrists. *Psychosomatics*, 59(6), 554-560. <https://doi.org/https://doi.org/10.1016/j.psym.2018.06.004>

SAĞLIK BİLİMLERİ FAKÜLTESİ VE İLETİŞİM FAKÜLTESİ ÖĞRENCİLERİNİN ÇOKLU ZEKÂ BASKINLIKLARININ KARŞILAŞTIRILMASI

Didem ŞAHİN CEYLAN

Uskudar University, Faculty of Health Sciences, Department of Audiology, Istanbul/TURKEY

ORCID ID: 0000-0003-4729-9524

Elifnur TAŞDEMİR ER

Uskudar University, Vocational School of Health Services, Department of Audiometry,
Istanbul/TURKEY

ORCID ID: 0000-0002-0752-657X

Busemnaz AVŞAR

Uskudar University, Faculty of Health Sciences, Department of Audiology, Istanbul/TURKEY

ORCID ID: 0000-0002-1371-2459

ÖZET

Çoklu zekâ kavramı, standartlaştırılmış zekâ testleri ile sadece sözel ve mantıksal yeteneklerin ölçülmesinin yetersiz olduğu kanısından yola çıkarak insanların farklı alanlarda sahip olduğu potansiyellerini belirtmektedir. Bu çalışmada, Üsküdar Üniversitesi Sağlık Bilimleri Fakültesi öğrencileri ile İletişim Fakültesi öğrencilerinin farklı zekâ alanlarındaki potansiyellerini tespit etmek ve karşılaştırmak amaçlanmıştır. Çalışmaya 18-25 yaş aralığında, tanılanmış psikolojik ve/veya nörolojik problemi olmayan, anadili Türkçe olan, Üsküdar Üniversitesi Sağlık Bilimleri Fakültesi'nde öğrenim gören 75 öğrenci ve İletişim Fakültesi'nde öğrenim gören 75 öğrenci katılmıştır. Her iki gruba Gardner (1983) tarafından geliştirilen ve Seber (2001) tarafından Türkçe geçerlilik ve güvenilirliği yapılan 80 maddelik “Çoklu Zekâ Alanlarında Kendini Değerlendirme Envanteri” uygulanmıştır. Envanter; sözel zekâ, matematiksel zekâ, görsel zekâ, müziksel zekâ, doğacı zekâ, sosyal zekâ, bedensel zekâ ve içsel zekâ alanlarını değerlendirmektedir. Çoklu Zekâ Alanlarında Kendini Değerlendirme Envanteri sonucuna göre, görsel zeka, müziksel zeka, doğacı zeka, bedensel zeka ve içsel zeka alanlarında gruplar arası farklılık gözlenmezken ($p>0.05$), sözel zeka, matematiksel zeka ve sosyal zeka alanlarında gruplar arası anlamlı farklılıklar elde edilmiştir ($p\leq 0.05$). Çalışma sonucunda Sağlık Bilimleri Fakültesi öğrencilerinin İletişim Fakültesi öğrencilerine göre daha yüksek sosyal zekâ ve matematiksel zeka puanına sahip olduğu; iletişim fakültesi öğrencilerinin sağlık bilimleri fakültesi öğrencilerine göre daha yüksek sözel zeka puanına sahip olduğu görülmüştür.

Anahtar Kelimeler: Çoklu Zekâ, İletişim Fakültesi, Sağlık Bilimleri Fakültesi, Öğrenci, Zekâ Düzeyi

COMPARISON OF MULTIPLE INTELLIGENCES OF STUDENTS FROM THE FACULTY OF HEALTH SCIENCES AND THE FACULTY OF COMMUNICATION

ABSTRACT

The concept of multiple intelligences refers to people's potentials in different areas based on the belief that measuring only verbal and logical abilities with standardized intelligence tests is insufficient. In this study, it was aimed to identify and compare the potentials of Uskudar University Faculty of Health Sciences and Faculty of Communication students in different areas of intelligence. Seventy-five students between the ages of 18-25, with no diagnosed psychological and/or neurological problems, native Turkish speakers, studying at Uskudar University Faculty of Health Sciences and 75 students studying at the Faculty of Communication participated in the study. Both groups were administered the 80-item "Self-Assessment Inventory in Multiple Intelligences" developed by Gardner (1983) and validated in Turkish by Seber (2001). The inventory assesses verbal intelligence, mathematical intelligence, visual intelligence, musical intelligence, naturalistic intelligence, social intelligence, physical intelligence and intrapersonal intelligence. According to the results of the Self-Assessment Inventory in Multiple Intelligences, there were no differences between the groups in the areas of visual intelligence, musical intelligence, naturalistic intelligence, physical intelligence and intrapersonal intelligence ($p>0.05$), while significant differences were found between the groups in the areas of verbal intelligence, mathematical intelligence and social intelligence ($p\leq 0.05$). As a result of the study, it was observed that the students of the Faculty of Health Sciences had higher social intelligence and mathematical intelligence scores than the students of the Faculty of Communication, and the students of the Faculty of Communication had higher verbal intelligence scores than the students of the Faculty of Health Sciences.

Keywords: Multiple Intelligence, Faculty of Communication, Faculty of Health Sciences, Student, Intelligence Level

KANSER TEDAVİSİNDE GRAFEN'İN KULLANIM ALANLARI

Erhan ŞENSOY

Karamanoğlu Mehmetbey Üniversitesi, Sağlık Bilimleri Fakültesi, Ebelik Bölümü, Yunus Emre
Kampüsü, KARAMAN

ORCID ID: 0000-0003-2989-459X

ÖZET

Kanser, hücrenin kontrolü dışında gerçekleşen hücresel proliferasyona neden olan hastalıklar bütünü olarak tanımlanabilir. Kanserleşen hücre fizyolojik görevini yerine getirmediği gibi kendi görevinden farklı aktivitelerde de bulunabilir. Hastalığın ileri aşamalarında bağ dokuya geçen kanser hücreleri komşu doku ve organlara yayılarak metastaz yapabilir. Ülkemizde ve dünya genelinde yaygın bir hastalık olan kanser ile ilgili olarak tespit edilen yeni vakalar ve kanser kaynaklı ölümler giderek artmaktadır. Kanser tedavisinde kullanılan geleneksel yöntemlerin başında kemoterapi, cerrahi ve radyoterapi gelmektedir. Kemoterapi etkili bir yöntem olmakla birlikte uygulamada kemoteropik ajanın tümörlü bölgeye yeterli dozda ulaştırılamaması, sağlıklı hücrelerin de ilaçtan etkilenmeleri ve kanserli hücrelerin ilaca karşı direnç kazanmaları gibi dezavantajları vardır. Bu nedenle kemoteropik ajanın kanserli bölgeye doğrudan iletilmesini sağlayan ilaç taşıma sistemleri geliştirilmiştir. Nano teknoloji yöntemiyle doğal malzemeler kullanılarak üretilen ilaç taşıma sistemlerine olan ilgi giderek artmaktadır. Doğal bir malzeme olan Grafen, hücrenin içine kolayca nüfuz ederek kanser hücrelerine kolayca bağlanabilir. Bu sayede kanser kök hücrelerinin tümör yapılarını oluşturmasını engelleyebilir. Ayrıca, kanser hücrelerin tespit edilmesinde de kullanılabilen Grafen, ilaç taşıma sistemlerinin imalatında hammadde olarak kullanılmaktadır. Grafen ile ilgili çalışmaların artarak devam etmesine paralel olarak, gelecekte kanser tedavisinde önemli başarıların elde edilebilir. Sunulan çalışmanın amacı, grafen bazlı ilaç taşıma sistemleri başta olmak üzere kanser tedavisinde grafen kullanımı hakkında okuyucuyu bilgilendirmek ve literatüre katkı sağlamaktır.

Anahtar Kelimeler: Kanser, Grafen, Nano teknoloji, İlaç taşıma sistemleri

USAGE OF GRAPHENE IN CANCER TREATMENT

ABSTRACT

Cancer can be defined as a set of diseases that cause cellular proliferation beyond the control of the cell. The cancerous cell not only does not fulfill its physiological function but may also engage in activities other than its own. In advanced stages of the disease, cancer cells that penetrate the connective tissue may spread to neighboring tissues, and organs and metastasize. New cases and deaths related to cancer, which is a common disease in our country and around the world, are increasing. The main traditional methods used in cancer treatment are chemotherapy, surgery and radiotherapy. Although chemotherapy is an effective method, it has disadvantages such as the chemotherapeutic agent not being delivered to the tumor area in sufficient doses, healthy cells being affected by the drug, and cancerous cells gaining resistance to the drug. For this reason, drug delivery systems have been developed that enable direct delivery of the chemotropic agent to the cancerous area. There is increasing interest in drug delivery systems produced using natural materials using nanotechnology. Graphene, a natural material, can easily penetrate into the cell and bind to cancer cells. In this way, it can prevent cancer stem cells from forming tumor structures. Graphene, which can also be used to detect cancer cells, is used as raw material in the manufacture of drug delivery systems. As studies on graphene continue to increase, significant successes in cancer treatment may be achieved in the future. The aim of the presented study is to inform the reader about the use of graphene in cancer treatment, especially graphene-based drug delivery systems, and to contribute to the literature.

Keywords: Cancer, Graphene, Nanotechnology, Drug delivery systems

1. GİRİŞ

Bağışıklık sisteminin çeşitli nedenlerden dolayı baskılanması durumunda bireyin hastalanma riski artar. Bağışıklık sisteminin, patojen mikroorganizmalarla ve hücrede gerçekleşen kontrol dışı olaylara yol açan etmenlerle mücadele eder. Hücre ve organlardan oluşan bağışıklık sisteminin yetersiz kaldığı durumlarda tümör hücresine dönüşme riski yüksek olan hücrelerin yok edilmesinde sorunlar yaşanabilir. Bir hastalıklar bütünü olan Kanser, vücuttaki bir organ ya da dokuda bulunan hücrelerin kontrolsüz bir şekilde büyümesi ve komşu doku/organlara yayılması ile karakterize edilir (Andrikopoulou ve ark., 2022). Latince anlamı çevresel doku ve organlara kolaylıkla yayılabilmesinden dolayı yengeç olarak ifade edilmiştir (Köksal 2022). Ülkemizde ve Dünya genelinde can kaybına ve iş gücü eksikliğine neden olan hastalık, farklı organlarda görülebilmesi nedeniyle farklı isimler alır (Siegel ve ark., 2020). Kanserin temel

nedenleri arasında; beslenme, stres, kimyasal maddelere maruz kalma, genetik özellikler, tütün ve alkol kullanımı gelmektedir (Arnold ve ark., 2012).

Kanser tedavisinde yaygın olarak kullanılan yöntemlerin başında cerrahi, kemoterapi ve radyoterapi gelmektedir. Hastanın yaşına ve hastalığın seviyesine bağlı olmakla birlikte hastaların büyük bir bölümü tedavi sürecinde kemoterapi ve/veya radyoterapi almaktadır. Tedavide oldukça etkili olan bu yöntemler, yan etkileri nedeniyle her dönem tartışma konusu olmuştur. Kemoterapinin dezavantajları arasında; uygulanan kemoterapötik maddenin tümörlü hücreye yeterli konsantrasyonda ulaşamaması, tümörlü yapıların bu maddelere karşı direnç geliştirmesi, sağlıklı hücrelerin de zarar görmesi yer almaktadır. Kemoterapinin temel hedeflerden birisi, kemoterapötik ajanının sağlıklı hücrelere zarar vermeden kanserli dokuya taşınmasıdır. Günümüzde bu amaçla geliştirilmiş sistemler, termal ve foto dinamik tedavi yöntemleriyle entegre olarak kullanılabilir. Nano teknolojide yaşanan gelişmeler, kanserin tanı ve tedavisinde etkili yöntemlerin geliştirilmesini sağlamıştır. Tümörlü bölgeye kemoterapötik ajanı ve ısıyı taşıyabilen, farklı malzemeler ve yöntemler kullanılarak üretilen maddeler bu kapsamda yer almaktadır (Duman, 2017).

Grafen son yılların en popüler nano malzemelerinden birisi olup hafif, kuvvetli, esnek ve iletken olmasından dolayı pek çok alanda kullanılmaktadır (Ağan ve Kekeçoğlu, 2020). Grafen ve Grafen bazlı malzemelerin, biyoloji ve tıp alanlarındaki araştırmalarda da tercih edildiği bir gerçektir. Grafen, suda kararlı olduğu için kanser tedavisinde kullanılan pek çok biyomedikal ürünün yapıtaşısıdır. Kanser hücrelerine kolayca bağlanabilen ve hücrelerin içine kolayca nüfuz edebilen Grafen, ilaç salınım ürünlerinde tercih edilir (Akal ve ark, 2021). Grafen kanserli hücrelere uygulandığında, kanser kök hücrelerinin tümör yapılarını oluşturamadığı bilinmektedir. Bu nedenle, Grafen ve onun türevi olan Grafen oksit kanserli hücrelerin tespitinde ve kanser tedavisinde etkin olarak kullanılabilen bir anti kanser ilacı olarak değerlendirilebilir. Grafen bazlı nanoilaç sistemleri, kanserli yapının yok edilmesinde kemoterapi ve termal terapi yöntemlerini birleştiren yöntem olarak karşımıza çıkmaktadır. Sunulan araştırmanın amacı, Grafen bazlı ilaç taşıma sistemleri ve bu ürünlerin kanser tedavisindeki yeri ve öneminin vurgulanmasıdır.

2. ARAŞTIRMA

2.1. Kanser epidemiyolojisi

Dünya Sağlık Örgütü'ne göre 2020 yılında dünya çapında tahmini 19,3 milyon yeni kanser vakası ve kanser nedeniyle yaklaşık 10 milyon ölüm meydana gelmiştir (WHO, 2020). Geçmiş yıllardaki istatistiklere göre 2012 yılında dünya çapında 14.1 milyon kişiye

kanser teşhisi konulduğu ve 8.2 milyon kişinin de kanser nedeniyle öldüğü bildirilmiştir (Steward ve Wild, 2014). 2035 yılı tahminlerine göre dünya genelinde 24 milyon kişiye kanser tanısı konulacağı tahmin edilmektedir. Bu durum büyüyerek artan bir sağlık sorununa ve ekonomik maliyete işaret etmektedir. Kansere ilişkili aralıksız olarak yapılan araştırmalar sayesinde kanser tanısı konulan vakaların beş senelik hayatta kalma oranları artmıştır fakat bu oranların hedeflenen seviyenin altında olduğu da bir gerçektir.

2.2. Kanser Tedavisi

Kanser tedavisinde uygulanan klasik tedavi yöntemleri olan cerrahi, kemoterapi ve radyoterapiye ek olarak günümüzde ümit verici sonuçlar sunan yöntemler de geliştirilmiştir. Bu yöntemlerin başında ışıl-ısı, foto dinamik ve immünoterapi yöntemleri gelmektedir (Kav ve ark., 2008). Erken evrede teşhis edilen kanser vakalarında, cerrahi yöntemlerin etkin sonuçlar verdiği bir gerçek olmasına karşın, ileri evrelerde tümörün küçültülebilmesi veya yok edilebilmesi için ek tedavilere ihtiyaç duyulur. Kemoterapi veya radyoterapinin kombine edilerek kullanılması tedavinin etkinliğinin artırılmasına katkı sağlar. Kanser tedavilerinde yaygın olarak kullanılan kemoterapötik ajanların kanserli yapıyı kontrol altında tutabilme ve tedavi edebilmedeki önemli başarısına karşın dezavantajlı oldukları bazı durumlar da vardır. Bunların başında; söz konusu ajanların kanserli dokulara yeterli konsantrasyonlara ulaşamaması, kanser hücrelerinin ilaca direnç kazanması ve bu ilaçların kanserli hücreleriyle birlikte sağlıklı hücrelere de hasar vermesi gelmektedir (Hervault ve Thanh, 2014). İdeal bir kemoterapötik ajandan; kanserli bölgeye yüksek konsantrasyonda ulaşabilmesi, kanseri erken evrede tanıyıp yok edebilmesi ve sağlıklı hücrelere zarar vermemesi beklenir.

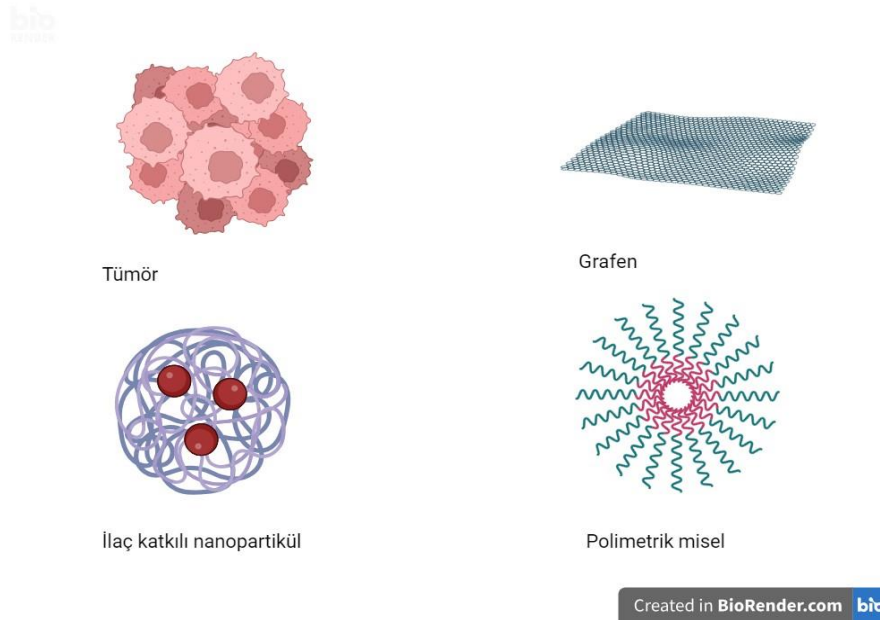
2.3. Kemoterapötik ajan taşıyabilen ilaç salım sistemleri

İlaç salımı, daha etkin bir tedavi sağlamak amacıyla yapılan bir yöntemdir. Kontrollü ilaç salım sistemlerinin amacı kullanılan ilacın miktarını mümkün olduğunca azaltmak, süreyi uzatmak ve tedavide oluşması muhtemel yan etkileri yok etmektir (Akal ve ark. 2020). Kemoterapötik ajanları kanserli dokuya taşımak üzere geliştirilen metotlar üzerine çalışmalar son yıllarda giderek artmaktadır (Ji vd., 2010). Nanoteknoloji kullanılarak 100 nm'den daha küçük boyutlarda ve farklı tiplerde üretilebilen nano parçacıkların kanser tedavisinde çığır açtığı bir gerçektir.

2.4. Grafenin Yapısı

Nanoteknoloji yöntemiyle üretilen ve "Yüzyılın malzemesi" olarak bilinen 'Grafen' (Duman, 2017), bir atom kalınlığında ve iki boyutlu karbon allotropu olup, karbon atomlarının tek bir düzlemde altıgen şeklinde dizilmesiyle meydana gelir. Sahip olduğu sıra dışı yüzey alanı,

mekanik sertlik, yüksek elektriksel ve termal iletkenlik ile optik transparanlık gibi özellikleri sayesinde nano teknoloji alanında kısa sürede en çok tercih edilen malzemelerden birisi olmuştur (Yanwu vd., 2010). Savunma sanayi, uçak ve otomotiv üretimi, tıp ve ilaç endüstri gibi çok geniş uygulama alanları bulunmaktadır. Grafen kökenli nano malzemeler biyoyumlu özellikte olduğu için, ilaçları yüksek oranda absorbe edebilir hedef dokuya iletebilir. Bu özelliklerinden dolayı grafen bazlı nano malzemeler biyotıp ve nanotıp uygulamalarında yaygın olarak kullanılır. Biyotıpta grafen kökenli nano malzemelerin kullanım alanları biyosensörler, biyogörüntüleme, ilaç salımı ve ısı-ısı (termal) tedavisi olarak sıralanabilir (Yang vd., 2013). Literatürde Grafen bazlı nano malzemeler olan grafen oksit: GO, indirgenmiş grafen oksit: rGO ve karbon nanotüp nanoşeritin: GOR kullanıldığı çalışmalarda materyal olarak beyin tümörü başta olmak üzere farklı kanser hücre hatları kullanılmıştır (Yang vd., 2013, Robinson vd. 2011, Jung 2014). Söz konusu ürünler, kemoterapötik ajanların grafen bazlı nano malzemelere bağlanarak kanserli bölgeye taşınmasında ya da bu malzemelerin absorpsiyon özelliklerinden dolayı termal terapide de kullanılabilir. Antikanser ilaçların tümörlü bölgeye taşınmasına da olanak sağlayan Grafen, bu işlevini hedef bölgeye nanomalzemelerin yüzeyine farklı ligantlar konjüge ederek gerçekleştirir (Şekil 1.).



Şekil 1. Grafenin yapısı ve ilaç taşıma sistemleri

2.5. Isı taşıyabilen malzemeler

Hipertermi; vücudun sıcaklığının lokal olarak ya da tamamının belirli bir derecenin üzerine çıkartılması şeklinde tanımlanır. Klinik tıpta uzun zamandır bilinen ve uygulanan yöntem, kanserli hücrelerin ısıya olan hassasiyetini temelinde dayanır (Hervault ve Thanh, 2014). Isı,

kanserli hücrede membran ve protein denaturasyonuna yol açarak sitotoksik etki oluşturur. Ayrıca, yüksek sıcaklıklarda tümörlü dokunun kan akış hızı da azalır. Tümörlü bölgede ısı artışı meydana getirildiğinde artan ısı komşu dokulara aktarılamadığı için kısa sürede kanserli hücrenin mikro çevresinde hipertermi gerçekleşir ki bu durum kanserli hücrenin ölmesine yol açar. Kanserli hücrenin yüksek sıcaklık uygulanarak öldürülebilmesi için, sıcaklığın bu alanda belli bir süre 42°C'in üzerinde tutulması gereklidir (Hervault ve Thanh, 2014). Grafen bazlı nano malzemeler, yüksek absorbe yeteneğine sahip oldukları için uygulanan düşük yoğunluktaki ışınların bile sıcaklığı artırmasına imkan verir. Termal terapi yönteminde, tümörlü dokuyu hedeflemek amacıyla grafen bazlı nano parçacık yüzeylerine EGFR ligantı konjüge edildiği için Grafen bazlı nano malzemeler, kanser hücrelerinin ısı yoluyla öldürülmesinde kullanılan etkili bir yöntem olarak bilinir. Literatürde grafen tabanlı nano malzemelerin kanser hücrelerinin ısı yoluyla öldürülmesinde kullanıldığına yönelik çalışmalar yer almaktadır (Zhang vd., 2011, Lu vd., 2014, Markovic vd., 2011, Yang vd., 2012, Yang vd., 2010). Işının doku içindeki düşük penetrasyon derinliğinde olması, Termal terapinin en büyük dezavantajı olarak bilinir. Grafen bazlı nano malzemelerin ışın absorpsiyon değerleri yüksek olduğu için düşük güç yoğunluklarında etkin bir şekilde kullanılabilirler. Bu özelliklerinde dolayı grafen bazlı nano malzemeler, solid kanserlerin termal terapi yoluyla tedavisinde sıkça tercih edilmektedirler (Hudson vd. 2013).

3. Sonuç

Kanser tedavisinde uygulanan klasik tedavi yöntemlerinin olumlu etkileri kuşkusuz ki göz ardı edilemez. Bununla birlikte, söz konusu yöntemlerin dezavantajlarının olduğu da bir gerçektir. Kemoteropik ajanın sağlıklı hücreleri de etkilemesi, yeterli dozda tümörlü bölgeye ulaşamaması, bu ajanlara tümör hücrelerinin direnç kazanmaları bunlardan bazıları olarak sıralanabilir. Sağlıklı hücrelere zarar vermeksizin doğrudan tümöre odaklanan ve düşük konsantrasyonlarda uygulanan kemoterapötik ajanı tümöre taşıyabilen ilaç taşıma yöntemleri günümüzde alternatif tedavi olarak karşımıza çıkmaktadır. Bu ilaç taşıma ürünlerinin imalatında kullanılabilen, kanser hücrelerin tespit edilmesinde kullanılabilen, kanser hücrelerine bağlanabilen ve hücrelerin içine kolayca nüfuz edebilen Grafen, bu özelliklerinden dolayı kanser kök hücrelerinin tümör yapılarına dönüşmesini engeller. Grafen ile ilgili çalışmaların artarak devam etmesiyle paralel olarak, gelecekte kanser tedavisinde önemli başarıların elde edilebileceği düşünülmektedir.

KAYNAKLAR

- Ağan, A.F., Kekeçoğlu, M. (2020). Melittin ve kanser tedavisi: nanoteknolojik bakış açısı. *Uludağ Arıcılık Dergisi*, 20(2), 221-231.
- Akal, M., Demirdere, M., Derya, Ü. (2021). Grafen oksit katkılı kitosan/hidroksipropil metilselüloz biyonanokompozit film sentezi ve anti-kanser ilacı 5-fluorourasil'in kontrollü salımında kullanımı. *Avrupa Bilim ve Teknoloji Dergisi*, (28), 1121-1125.
- Andrikopoulou, A., Chatzinikolaou, S., Panourgias, E., Kaparelou, M., Lontos, M., Dimopoulos, M. A., Zagouri, F. (2022). The emerging role of capiva sertib in breast cancer. *The Breast*, 157.
- Arnold, M., Pandeya, N., Byrnes, G., Renehan, P., Stevens, G. A., Ezzati, P. M. (2012). Global burden of cancer attributable to high body-mass index in 2012: a population-based study. *Lancet Oncol*, 16, 36-46.
- Duman, S. (2017). Kanser tedavisinde grafen tabanlı ilaç taşıyıcı sisteminin geliştirilmesi, Yüksek Lisans Tezi, Cumhuriyet Üniversitesi Fen Bilimleri Enstitüsü, Sivas
- Hervault A., Thanh NTK. (2014). Magnetic nanoparticles-based therapeutic agents for thermo-chemotherapy treatment of cancer. *Nanoscale*, 6, 11553-11573.
- <https://www.who.int/news-room/fact-sheets/detail/cancer> (erişim tarihi: 27.02.2024)
- Hudson, D.E., Hudson, D.O., Wininger, J.M., Richardson, B.D. (2013). Penetration of laser light at 808 and 980 nm in bovine tissue samples. *Photomedicine and Laser Surgery*, 31, 163-168
- Ji, S.R., Liu, C., Zhang, B., Yang, F., Xu, J., Long, J., Jin, C., Fu, D., Ni, Q.X., Yu, X.J. (2010) Carbon nanotubes in cancer diagnosis and therapy. *Biochimica et Biophysica Acta*, 1806, 29-35.
- Jung, H.S., Kong, W.H., Sung, D.K., Lee, M.Y., Beack, S.E., Keum, D.H., Kim, K.S., Yun, S.H., Hahn, S.K. (2014). Nanographene oxide-hyaluronic acid conjugate for photothermal ablation therapy of skin cancer. *ACSNANO*, 8, 260-268.
- Kav, S., Hanoğlu, Z., & Algier, L. (2008). Türkiyede Kanserli hastalarda tamamlayıcı ve alternatif tedavi yöntemlerinin kullanımı: literatür taraması. *International Journal of Hematology & Oncology/UHOD: Uluslararası Hematoloji Onkoloji Dergisi*, 18(1).
- Köksal, N. G. (2022). Pankreas kanserinde tarama ve erken tanı. *Doğu Karadeniz Sağlık Bilimleri Dergisi*, 1(2): 50-56.
- Lu, Y.J., Lin, C.W., Yang, H.W., Lin, K.J., Wey, S.P., Sun, C.L., Wei, K.C., Yen, T.C., Li, C.I., Ma, C.C.M. (2014). Biodistribution of PEGylated graphene oxide nanoribbons and their application in cancer chemo-photothermal therapy. *Carbon*, 74, 83-95
- Markovic, Z.M., H-Trajkovic, L.M., T-Markovic, B.M., Kepic, D.P., Arsin, K.M., Jovanovic, S.P., Pantovic, A.C., Dramicanin, M.D., Trajkovic, V. 2011. In vitro comparison of the photothermal anticancer activity of graphene nanoparticles and carbon nanotubes. *Biomaterials*, 32, 1121-1129
- Robinson, J.T., Tabakman, S.M., Liang, Y., Wang, H., Casalongue, H.S., Vinh, D., Dai, H. (2011). Ultrasmall reduced graphene oxide with high near-infrared absorbance for photothermal therapy. *Journal of American Chemical Society*, 133, 6825-6831.
- Siegel, R. L., Miller, K. D., Jemal, A. (2020). Cancer statistics, 2020. CA: a cancer journal for clinicians, 70(1): 7–30. <https://doi.org/10.3322/caac.21590>, <https://doi.org/10.3322/caac.21442>
- Stewart, B.W., Wild, C.P. (2014). *World Cancer Report 2014*, Lyon, France: International agency for research on cancer
- Yang, H.W., Lu, Y.J., L, K.J., Hsu, S.C., Huang, C.Y., She, S.H., Liu, H.L., Lin, C.W., Xiao, M.C., Wey, S.P., Chen, P.Y., Yen, T.C., Wei, K.C., Ma, C.C.M. (2013). EGFR conjugated PEGylated nanographene oxide for targeted chemotherapy and photothermal therapy. *Biomaterials*, 34, 7204-7214.
- Yang, K., Wan, J., Zhang, S., Tian, B., Zhang, Y., Liu, Z. (2012). The influence of surface chemistry and size of nanoscale graphene oxide on photothermal therapy of cancer using ultra-low laser power. *Biomaterials*, 33, 2206-2214. <https://doi.org/10.1016/j.biomaterials.2011.11.064>
- Yang, K., Zhang, S., Zhang, G., Sun, X., Lee, S.T., Liu, Z. (2010). Graphene in mice: Ultrahigh in vivo tumor uptake and efficient photothermal therapy. *Nano Letters*, 10, 3318-3323
- Yanwu, Z., Murali, S., Cai, W., Li, X., Suk, J.W., Potts, J.R., Ruoff, R.S. (2010). Graphene and Graphene Oxide: Synthesis, Properties, and Applications. *Adv Mater*, 22, 3906–3924.
- Zhang, W., Guo, Z., Huang, D., Liu, Z., Gua, X., Zhong, H. (2011). Synergistic effect of chemo-photothermal therapy using PEGylated graphene oxide. *Biomaterials*, 32, 8555-8561.

SKUTOİD: EPİTEL HÜCRELERİN GEOMETRİSİ**Erhan ŞENSOY**

Karamanoğlu Mehmetbey Üniversitesi, Sağlık Bilimleri Fakültesi, Ebelik Bölümü,
Yunus Emre Kampüsü, KARAMAN
ORCID ID: 0000-0003-2989-459X

ÖZET

Organizmanın dış ve iç yüzeyini örten Epitel doku hücrelerinin karmaşık yapısı ve stabil kalabilme konusunda gösterdikleri başarı her zaman merak edilmiştir. Geometrik şekiller bu hücrelerin dizilimlerini açıklamada yetersiz kalmaktadır. Böceklerdeki scutelluma (karın bölgesinin arka bölümü) benzemesinden dolayı 'Skutoid' ismi verilen yeni keşfedilen geometrik şekil, hem küpü hem de prizmayı anımsatan bir şekildir. Epitelyum hücrelerin alt ve üst yüzeylerinin farklı tip hücrelerle komşu olabilmesine ve dokuların üç boyutlu yapısının oluşmasını imkan veren bir tasarımdır. Bu tasarım sayesinde epitel doku mimarisinde kullanılan enerjinin azaltılması ve kararlı yapının korunması sağlanmış olur. Söz konusu tasarımın bir diğer avantajı da hat gerilimini artıran ve kuvvetleri dengeleyen verimli bir paketleme yöntemi olmasıdır. Skutoid, doğada *Drosophila melanogaster*'ın tükürük bezlerindeki epitel hücrelerde, gastrulasyon aşamasındaki *Drosophila* ve zebra balığı embriyolarında görülmektedir. Hücrelerin karmaşık üç boyutlu yapılarının altında yatan matematiksel ve geometrik prensipleri anlamamızı sağlar. Günümüzde biyoteknoloji başta olmak üzere pek çok alanda kullanılan Skutoidin, gelecekte diğer alanlarda da kullanılma potansiyeli oldukça yüksektir. Sunulan araştırmada Skutoidin teknoloji çağında yeri ve önemi, biyolojik modellerde ve nano teknolojide kullanım alanları ve geleceği hakkında literatüre katkı sağlamak hedeflenmiştir.

Anahtar Kelimeler: Skutoid, epitel hücre, nano teknoloji, biyolojik modelleme

SCUTOID: GEOMETRY OF EPITHELIAL CELLS

ABSTRACT

The complex structure of the epithelial tissue cells covering the outer and inner surfaces of the organism and their success in remaining stable have always been a matter of curiosity. Geometric shapes are inadequate to explain the arrangements of these cells. The newly discovered geometric shape, called 'Scutoid' due to its resemblance to the scutellum (back part of the abdomen) in insects, is a shape reminiscent of both a cube and a prism. It is a design that allows the upper and lower surfaces of epithelium cells to be neighbors with different types of cells and to form the three-dimensional structure of tissues. Thanks to this design, the energy used in epithelial tissue architecture is reduced and the stable structure is maintained. Another advantage of the design in question is that it is an efficient packaging method that increases line tension and balances forces. Scutoid is seen in nature in the epithelial cells in the salivary glands of *Drosophila melanogaster* and in *Drosophila* and zebrafish embryos at the gastrulation stage. It allows us to understand the mathematical and geometric principles underlying the complex three-dimensional structures of cells. Scutoid, which is used in many fields today especially biotechnology, has a high potential to be used in other fields in the future. In the presented research, it is aimed to contribute to the literature on the place and importance of scutoid in the age of technology, its usage areas and future in biological models and nanotechnology.

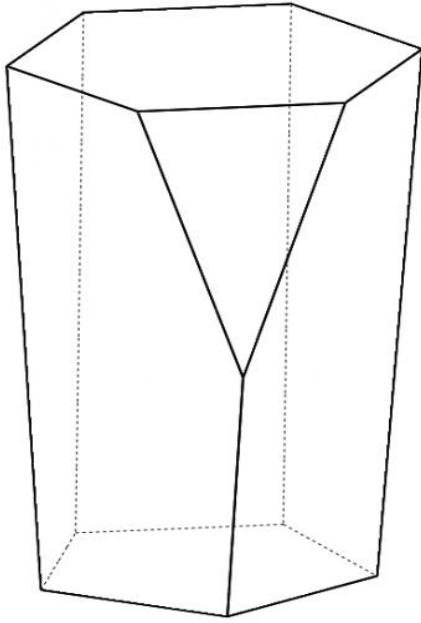
Key Words: Scutoid, epithelial cell, nanotechnology, biological modeling

1. Giriş

Epitel hücreleri temelde organları dıştan ve içten örten tabakalar meydana getirir. Genel histolojide epitel doku şekilleri kübik, prizmatik veya piramidal olarak bilinir. Oysa bu şekiller oldukça karmaşık olarak bir araya gelen hücrelerin, nasıl stabil kalabildiklerini açıklayamaz (Teng, ve Sabin, 2021). Epitel hücrelerinin embriyonun gelişim sürecinde kolonsal bir şekilde yukarı doğru giderek daralan bir oluşum sergileyerek dizildikleri göz önüne alındığında, doku şekillerini tanımlamada bu geometrik yapıların yetersiz kaldığı görülmektedir (Nelson, 2018). Temmuz 2018'de yayımlanan bir çalışmada, epitel hücrelerinin geometrik şekline yeni bir kavram kazandırıldı (Galvez ve ark., 2018). Böceklerin göğüs kafesine veya karın bölgesinin arka tarafına (scutellum) olan benzerliğinden dolayı 'Skutoid' olarak isimlendirilen bu yapı, aslında bir şekil değil şekiller ailesi olarak ifade edilebilir. Skutoid, prizmaya benzer olsa da üstte beş, altta altı kenarı olan ve yan kenarlarından birisinin ilerleyen aşamada 'Y' biçiminde

çatallanmasıyla karakterize edilebilir (Bilim teknik, 2024) (Şekil 1). Epitelyum hücrelerin alt ve üst yüzeylerinin farklı tip hücrelerle komşu olabilmesine imkan veren Skutoid tasarımı, dokuların üç boyutlu yapısının oluşmasını da açıklayabilmektedir (Buceta ve ark., 2019; Iber ve Vetter, 2022). Hücre düzeninin doku oluşumunda ne denli önemli olduğunu ve canlı organizmaların gelişimini nasıl etkilediğini de daha iyi anlamamızı sağlar (Galvez ve ark., 2018; Rauzi, 2020). Epitel hücrelerinin kıvrımlı doku bölgelerinde sıkı bir şekilde istiflenirken, harcanan enerjinin minimuma inmesine aynı zamanda dokunun kararlı yapısının korunmasına da imkan tanır. (Chauhan, 2018, Nelson, 2018). Skutoid şeklinin dokuları oluşturmak amacıyla bir araya gelen hücrelerin küçülmesini sağlayan, hat gerilimini artıran ve kuvvetleri dengeleyen verimli bir paketlenme yöntemi olduğu söylenebilir (Mughal ve ark., 2018), (Şekil 1).

Bilim dünyasının yeni keşfi olan Skutoid, aslında doğada hiç de yabancı olmadığımız bir şekil olarak karşımıza çıkmaktadır. *Drosophila melanogaster*'ın tükürük bezlerinde bulunana epitel hücrelerinin %75'inin, embriyolarındaki kıvrımlı yapılarda bulunana epitel hücrelerin %50'si skutoid şeklindedir (Bilim teknik, 2024). Dokularda kıvrım miktarı arttıkça, skutoid oranı da yükselmektedir (Teng ve ark., 2020; Teng, ve Sabin, 2021). Gastrulasyon aşamasındaki *Drosophila melanogaster* ve zebra balığı embriyoları skutoid yapıya örnek olarak verebileceğimiz diğer yapılardır. Skutoidin, dokuların üç boyutlu yapısının açıklanmasında önemli bir yeri vardır (Galvez ve ark., 2020; Iber ve Vetter, 2022). Hücrelerin karmaşık üç boyutlu yapılarının altında yatan matematiksel ve geometrik prensipleri anlamamızı sağlaması bakımından önemlidir. Sunulan araştırmada Skutoidin teknoloji çağında yeri ve önemi, nano teknolojide kullanım alanları ve biyolojik modellemeye katkısı hakkında literatüre katkı sağlamak hedeflenmiştir.



Şekil 1. Skutoidin şekli

2. Araştırma

Hücreyel Yapılarda Skutoid Etkisi

Hücreyel yapılar arasında önemli bir yeri olan Skutoid, hücreyel etkileşiminin sağlanmasında ve genel hücreyel yapının belirlenmesinde etkilidir (Rauzi, 2020). Skutoid biçimini alan hücreler arasında sıkı bağlantılar kurularak hücreyel bütünlük artırılır (Chauhan, 2018). Skutoid şeklinin avantajı, doku veya organı oluşturmak amacıyla hücreler bir araya geldiği zaman ortaya çıkar (Lu ve ark., 2021). Hücreyel temasın ve verimliliğin mümkün olduğunda artırılması skutoid şekli ile elde edilebilir (Gillard ve Röper, 2020). Hücrelerin üç boyutlu yapısının ve hareket özelliklerinin anlaşılmasına katkı sağlayan Skutoid (Iber ve Vetter, 2022), hücreyel bağlantıların güçlenmesinde ve kompleks hücreyel yapıların oluşumunda etkin görev alır (Buceta ve ark., 2019). Ayrıca, hücreler arasındaki bağlantıların optimize edilerek hücrelerin yaklaşmasına ve etkileşimlerin kolaylaşmasına yardımcı olur ki bu durum hücreyel toplulukların bütünlüğünün ve istikrarının artmasını da sağlar (Lemke ve Nelson, 2021).

2.2 Biyolojik Modellemelerde Skutoidin Önemi

Hücrelerin prizma veya piramit şekilde olduğu düşüncesine alternatif açıklamalar getiren Skutoid, biyolojik modelleme ve doku/organ gelişimi araştırma alanlarında çığır açmıştır (Mughal ve ark., 2018). Her ne kadar hücrelerin karmaşık üç boyutlu yapılarda nasıl bir araya gelerek düzenli bir form oluşturduklarını kesin olarak açıklayamasa da konuyla ilgili doğru modelleme imkanı sağlar (Teng, ve Sabin, 2021). Bu durum, doku ve organ oluşum süreçleri hakkında doğru modelleme yapmamıza yardımcı olur (Galvez ve ark., 2020).

2.3 Teknoloji Çağında Skutoidin Yeri ve Önemi

Bilim ve teknoloji dünyasında heyecan uyandıran Skutoid, biyomühendislik ve doku mühendisliği gibi alanlarda yüksek potansiyeli olan bir konudur (Teng ve ark., 2020). Doku/organ mühendisliğinde etkin olarak kullanılan üç boyutlu yazıcılar için yeni bir strateji sunabilmesinin yanında eşsiz geometrisi ile bu teknolojilerin daha verimli kullanılmasına ve hücre bazlı tedavi yöntemlerinin geliştirilmesine katkı sağlayabilir (Dhimal ve Joshi, 2022). Hücrelerin doğru yöntemlerle birleşmesi ve düzenlenmesi temel ilkesine dayanan doku mühendisliği ve hücre terapisi gibi disiplinlere, tedavilerin etkinliğini ve başarı oranını artırması nedeniyle skutoidin katkısı tartışılmaz derecede yüksektir. Yapay organ üretme çalışmaları bakımından da oldukça önemli olan Skutoidin, hücrelerin üç boyutlu dizilimlerini anlamak ve kontrol etmek adına katkı sunar.

2.4 Skutoidin Geleceği

Skutoidin keşfiyle birlikte, gelecekte biyoloji ve biyomühendislik alanlarındaki araştırmaların artacağı şüphesizdir. Skutoidin hücresel dizilişteki etkisinin daha iyi anlaşılmasının doku mühendisliğinde yeni ve daha etkili tedavi stratejilerine yol açması muhtemeldir. Skutoidin gerçek potansiyelinin ve uygulamalarının henüz tam olarak anlaşılmadığı düşünüldüğünde, bu şeklin gelecekte biyoloji ve tıp alanlarında ne gibi etkisinin olabileceğinin belirlenmesi için daha fazla araştırma yapılması gerekmektedir. Hücrelerin ve biyolojik sistemlerin organizasyonları ve çalışma sistematiği hakkında önemli ipuçları elde etmemizi sağlayan Skutoidin, bilim dünyasında heyecan verici yeni bir dönem başlattığı da bir gerçektir.

2.5 Skutoidin Evrimsel Biyolojideki Etkisi

Skutoid keşfinin, evrimsel biyolojide önemli etkiye yol açtığı son derece açıktır. Evrimsel süreçte organizmalarda meydana gelen değişimin ve çeşitliliğin anlaşılmasında hücre biyolojisi ve hücrelerin şekil almasına odaklanan çalışmalar önemlidir. Skutoidin keşfi mevcut bilgilerin genişlemesine, evrimsel süreçlerin hücreler ve dokular üzerindeki etkisinin daha iyi anlaşılmasına yardımcı olmuştur (Lu ve ark., 2021). Ayrıca, hücrenin geometrik ve üç boyutlu yapılarının doğru bir biçimde belirlenerek, organizmaların geçirdikleri değişim süreçlerinin anlaşılmasına da katkı sağladığı düşünülmektedir (Dhimal ve Joshi, 2022). Hücreler arasındaki etkileşim ve bağlantısal oluşumlar, evrimsel süreçte hücrelerde ve dokularda meydana gelen değişimin anlaşılmasına yardımcı olur ki bu durum evrimsel biyoloji alanında yeni bir bakış açısı sağlar (Gillard ve Röper, 2020).

2.6 Skutoid ve Hücresel Dinamikler

Skutoid, hücresel birliktelik ve hareketin sağlanması ile hücrelerin etkileşim yolları hakkında önemli bilgiler vermesinden dolayı önemli olarak değerlendirilir. Skutoid; hücre dinamikleri üzerine yeni ve heyecan verici bilgiler sunar (Lu ve ark., 2021), Bir araya gelerek karmaşık yapılar oluşturan hücrelerin hareketleri ve birbirleriyle etkileşimleri konusunda daha fazla bilgi edinmemize imkan vermesinin yanında, doku ve organ oluşumunun temel dinamiğini aydınlatması bakımından önemlidir (Teng ve ark., 2020).

2.7 Nano teknolojide Skutoidin Kullan Alanları

Nano teknoloji alanında potansiyeli oldukça yüksek olan Skutoidin, pek çok bu alandaki pek çok uygulamada kullanılması mümkündür. Nano teknolojinin temelinde, sistemlere ve malzemelere atomik veya moleküler boyutta müdahale edilerek yeni teknolojilerin üretilmesi yer almaktadır. Skutoid, özgün geometrisi sayesinde nano teknoloji ile üretilen ürünlerin tasarım ve üretim aşamalarının geliştirilmesine yardımcı olur (Mughal ve ark., 2018, Dhimal ve Joshi, 2022). Ayrıca, nano malzemeler ve sistemler üretmek için yenilikçi fikirlerin ortaya çıkarılmasına katkı sağlar. Skutoidin, nano teknoloji alanını kökten değiştirmesi ve bu disiplini daha ileriye taşıması mümkündür. Nano teknoloji alanında yapılacak yeni buluşlar sayesinde bilimsel keşiflere olan ilginin artacağı, bu durumun bilim ve teknoloji dünyasını olumlu etkilemesi düşünülmektedir (Lemke ve Nelson, 2021).

3. Sonuç

Skutoidin keşfinin, nano teknoloji, biyolojik modelleme düzenlenmesi başta olmak üzere pek çok alanda büyük bir dönüm noktası olduğu konusunda bilim dünyası hemfikirdir. Hücrelerin üç boyutlu yapısal bir bütünlük içerisinde bir araya gelerek dokuları ve karmaşık yapıları nasıl oluşturduklarını daha iyi anlamamızı sağlayan Skutoid, biyolojik sistemlerin optimizasyonu hakkında ayrıntılı bilgiler edinmemize yardımcı olur. Eğitim alanında potansiyeli oldukça yüksek olan Skutoid hakkında daha fazla araştırma yapılması, yeni araştırmacıların teşvik edilmesi ve elde edilecek güncel verilerin bilim dünyasıyla paylaşılmasının faydalı olacağını düşünmekteyiz.

KAYNAKLAR

- Buceta, J., Pedro, G. G., Vicente-Munuera, P., & Escudero, L. M. (2019). Scutoids: Understanding the 3D Packing of Curved Epithelia. *Biophysical Journal*, 116(3), 122a-123a.
- Chauhan, N. (2018). New shape of epithelial cell discovered: 'Scutoid'. *Communications*, 9, 2960.
- Dhimal, P., & Joshi, H. R. (2022). Use of Scutoid Inspired Geometry in Curved Surface of Revolution. Gillard, G., & Röper, K. (2020). Control of cell shape during epithelial morphogenesis: recent advances. *Current Opinion in Genetics & Development*, 63, 1-8. <https://doi.org/10.1016/j.gde.2020.01.003>

- Gomez Galvez, P., Vicente Munuera, P., Anbari, S., Tagua Jáñez, A., Gordillo Vázquez, C. M., Palacios, A. M., ... & Escudero Cuadrado, L. M. (2020). A quantitative principle to understand 3D cellular connectivity in epithelial tubes. *bioRxiv*, *june 2020*.
- Gomez-Galvez, P., Vicente-Munuera, P., Tagua, A., Forja, C., Castro, A. M., Letrán, M., ... & Escudero, L. M. (2018). Scutoids are a geometrical solution to three-dimensional packing of epithelia. *Nature communications*, *9*(1), 2960.
https://bilimteknik.tubitak.gov.tr/system/files/makale/2018_eylul_610_bilim_ve_teknik_28.pdf
(Erişim Tarihi: 04.02.2024)
- Iber, D., & Vetter, R. (2022). 3D organisation of cells in pseudostratified epithelia. *Frontiers in Physics*, *10*, 898160. <https://doi.org/10.3389/fphy.2022.898160>
- Lemke, S. B., & Nelson, C. M. (2021). Dynamic changes in epithelial cell packing during tissue morphogenesis. *Current Biology*, *31*(18), R1098-R1110.
- Lu, C. H., Wen, F. L., Hsueh, S. C. C., Wu, W. H., Lin, Y. F., Prouveur, M., ... & Lin, K. H. (2021). Apical Actin-Myosin Network Regulates the Tight Junction of Polarized Madin-Darby Canine Kidney Cells. *bioRxiv*, 2021-05. doi: <https://doi.org/10.1101/2021.05.30.446323>
- Mughal, A., Cox, S. J., Weaire, D., Burke, S. R., & Hutzler, S. (2018). Demonstration and interpretation of 'scutoid' cells formed in a quasi-2D soap froth. *Philosophical Magazine Letters*, *98*(8), 358-364.
- Nelson, C. M. (2018). Epithelial packing: even the best of friends must part. *Current Biology*, *28*(20), R1197-R1200.
- Rauzi, M. (2020). Cell intercalation in a simple epithelium. *Philosophical Transactions of the Royal Society B*, *375*(1809), 20190552.
- Teng, T., & Sabin, J. (2021). The design and 4d printing of epithelial cell-inspired programmable surface geometry. *Bionics, bioprinting, living materials - Volume 1 - eCAADe 39* | 105-115
- Teng, T., Jia, M., & Sabin, J. (2020). Scutoid Brick. In *Ecaade* (Vol. 1, pp. 563-572).

GELENEKSEL VE TAMAMLAYICI ALTERNATİF TIP HİZMETLERİ: KAYSERİ ÖRNEĞİ

Fatma Süheyla EKİCİ

Erciyes Üniversitesi Edebiyat Fakültesi Sosyoloji Anabilim Dalı

Prof. Dr. İlkey ŞAHİN

Erciyes Üniversitesi

ÖZET

Modern tıbbın sınırlılıkları ve yan etkileri nedeniyle, bireyler sağlık sorunlarına çözüm arayışlarına giderek geleneksel ve tamamlayıcı alternatif tıp (GETAT) hizmetlerine yönelmektedirler. Bu araştırma, Kayseri'de sunulan GETAT hizmetlerine bireylerin yönelme gerekçelerini, bu hizmetlerin toplum sağlığı üzerindeki etkilerini ve önemini bütüncül bir yaklaşımla incelemeyi hedeflemektedir. Araştırmanın odak noktası, GETAT hizmetlerinin tercih edilme sebepleri, kullanılan teşhis ve tedavi yöntemleri, erişilebilirlik durumları ve bu hizmetlerin toplum sağlığına olan etkileridir. Araştırmanın odak noktası modern tıbbın sunduğu teşhis ve tedavi yöntemlerinin yan etkileri sebebi ile bireylerin sağlık sorunlarına farklı çözümler arayarak alternatif hizmetlere yönelmeleridir. Bu çalışmanın amacı, GETAT hizmetlerinin sağlık sistemimizdeki yerini ve önemini anlamaktır. Ayrıca toplumda sağlıklı kalmak isteyen veya "hasta" olarak tanımlanan bireylerin bu yöntemlere erişim durumlarını incelemek, ve bu yöntemlerin teşhis ve tedavi süreçlerinde toplum sağlığına etkilerini değerlendirmektir. Hasta bireylerin neden GETAT yöntemlerini tercih ettiklerini analiz etmek de amaçlar arasındadır. Kayseri'deki GETAT hizmetlerinin toplum sağlığı üzerindeki etkileri nitel araştırma yöntemi ile gerçekleştirilmiştir. Araştırma sahası Kayseri'de faaliyet gösteren GETAT hizmetleri veren kliniklerdir. Enformel sohbet tarzı derinlemesine görüşme veri toplama tekniği tercih edilmiştir. Bu teknik ile bireylerin tecrübelerinin anlaşılması hedeflenmiştir. Görüşmeciler kartopu örneklem ve amaçlı örneklem ile belirlenmiştir. Veri analizi yapılırken veriler temalar halinde sınıflandırılmış ve yorumlanmıştır.

HAYATLARI YENİDEN İNŞA ETMEK: 6 ŞUBAT DEPREM FELAKETİNİN SOSYOLOJİK BOYUTLARINI KEŞFETMEK

Zekiye Beyza ÇOBAN

Erciyes Üniversitesi Sosyoloji Bölümünden yüksek lisans öğrencisi

Prof. Dr. İlkay ŞAHİN

Erciyes Üniversitesi

ÖZET

6 Şubat 2023'te Türkiye'yi vuran yıkıcı depremler, bireylerin ve toplumun yaşamı üzerinde derin ve kalıcı etkilere sahip olmuştur. Bu felaket, sosyal yapılarda önemli değişimlere yol açarken, afet sonrası toparlanma süreçlerinin kapsamlı bir incelemeyi gerektirdiğini ön plana çıkarmıştır. Bu bağlamda bu çalışma, 6 Şubat deprem felaketinden etkilenen Adıyaman ve Kahramanmaraş şehir merkezindeki bireylerin yaşamlarını yeniden inşa etmek için hangi başa çıkma stratejilerini kullandıklarını ve bu stratejilerin sosyal dayanıklılık ve toparlanma üzerindeki etkilerini incelemektedir. Amacı ise depremzedelerin kullandığı başa çıkma stratejilerinin bireysel hayatlarını yeniden kurmalarında ve toplumsal iyileşmedeki etkilerini anlamaktır. Çalışmada, doğal afetlerden farklı şekilde etkilenen depremzedeler arasında benimsenen baş etme stratejilerinin çeşitliliği ve afet sonrası iyileşmeyi şekillendiren sosyal ve kültürel faktörler üzerinde durulmaktadır. Bu çalışma, afet müdahalesi ve kurtarma çabalarının sadece teknik ve mühendislik yaklaşımlarını değil, aynı zamanda afet kurtarmanın sosyal, kültürel, dini ve politik boyutlarını da dikkate alması gerektiğini vurgulamaktadır.

Bu çalışmada nitel araştırma yöntemi kullanılmıştır. Veri oluşturma tekniği olarak enformel sohbet tarzı derinlemesine görüşme tercih edilmiştir. Bu veri toplama tekniğinin seçilmesinde yapılan görüşmelerde, görüşmecilerin deneyimlerini daha ayrıntılı olarak açığı çıkarma beklentisi etkin rol oynamıştır. Uygulama aşamasında derinlemesine mülakatlar yoluyla elde edilen veriler sınıflandırılarak analiz edilmiş, bireylerin ve toplumun afet sonrası dayanıklılığını arttırmada etkili olan faktörler belirlenmiştir. Araştırmanın sahası, 6 Şubat depreminden etkilenen Adıyaman ve Kahramanmaraş şehir merkezindeki ev, çadır ve konteynerde yaşamını sürdüren depremzedelerdir. Örneklem tekniği amaçlı ve kartopudur. Çalışmanın bulgularının, afet sonrası toparlanma ile ilgili politika ve uygulamaların geliştirilmesine katkıda bulunması ve afet araştırmaları alanına katkı sağlaması hedeflenmektedir.

Anahtar Kelimeler: Afet, Deprem, Başa Çıkma Stratejileri, Toplumsal Dayanışma

REBUILDING LIVES: EXPLORING THE SOCIOLOGICAL DIMENSIONS OF THE 6 FEBRUARY EARTHQUAKE DISASTER

ABSTRACT

The devastating earthquakes that struck Turkey on 6 February 2023 have had profound and lasting effects on the lives of individuals and society. This disaster has led to significant changes in social structures, highlighting the need for a comprehensive examination of post-disaster recovery processes. In this context, this study investigates the coping strategies used by individuals affected by the 6 February earthquake disaster in the city centers of Adiyaman and Kahramanmaraş to rebuild their lives and the effects of these strategies on social resilience and recovery. The aim is to understand the impact of the coping strategies employed by earthquake victims on the reconstruction of their individual lives and on societal healing. The study focuses on the diversity of coping strategies adopted among earthquake victims affected in different ways by natural disasters and the social and cultural factors shaping post-disaster recovery. This work emphasizes that disaster response and recovery efforts must consider not only technical and engineering approaches but also the social, cultural, religious, and political dimensions of disaster recovery.

A qualitative research method has been used in this study. An informal conversation style in-depth interview was preferred as the data generation technique. The choice of this data collection technique was influenced by the expectation to more thoroughly expose the experiences of the interviewees during the conversations. In the application phase, data obtained through in-depth interviews were classified and analyzed to identify factors effective in enhancing the resilience of individuals and society after the disaster. The research field encompasses earthquake victims living in houses, tents, and containers in the city centers of Adiyaman and Kahramanmaraş affected by the 6 February earthquake. The sampling technique is purposive and snowball. The findings of the study aim to contribute to the development of policies and practices related to post-disaster recovery and to contribute to the field of disaster research.

Keywords: Disaster, Earthquake, Coping Strategies, Social Solidarity

BEHÇET HASTALIĞINA İLİŞKİN BİLGİ SAĞLAMADA YAPAY ZEKA DİL MODELLERİNİN DOĞRULUĞUNUN VE KALİTESİNİN DEĞERLENDİRİLMESİ

Nurdan YILDIRIM

Mersin University, Faculty of Medicine, Department of Rheumatology, Mersin, Turkey

ORCID ID: 0000-0002-8613-5373

ÖZET

Behçet Hastalığı birçok sistem tutulumu ile seyreden, mortalite ve morbidite potansiyeli de bulunan bir romatizmal hastalıktır. Hastalığın kompleks doğası nedeni ile hastalar hastalıkları ile ilgili endişelerini gidermek ve bilgi düzeylerini arttırmak için son yıllarda artan sıklıkta sağlık bilgi kaynağı olarak internete başvurumaktadırlar. Bu çalışmanın amacı yapay zeka modellerinin hastalara Behçet hastalığı ile ilgili bilgi sağlamada doğruluk ve kalite açısından performanslarının değerlendirilmesidir. Bu prospektif kesitsel çalışmada, Behçet hastalığı ile ilgili sağlık bilgilerine ilişkin üç yapay zeka modelinin (Perplexity, ChatGPT versiyon 4 ve BARD) performansları değerlendirildi. Google Trends'te Behçet hastalığı ile ilişkili en sık arananlar arasından dokuz başlık belirlendi (Behçet hastalığının tanımı, etiyolojisi, tanısı, tedavisi, paterji, üveit, eritma nodozum, oral aft) ve başlıklar sorular halinde her üç modele de girildi. Yanıtlar doğruluğu açısından önceden tanımlanmış 6 puanlık Likert benzeri ölçek (1 – tamamen yanlıştan 6 – tamamen doğruya kadar) ve kalite açısından 5 puanlık Likert benzeri bir ölçek olan global kalite skalası kullanılarak derecelendirildi. Doğruluk skorları açısından BARD ve Perplexity arasında fark saptanmazken ($p=0.366$) ChatGPT-4 skorları anlamlı olarak BARD ve Perplexity'den daha yüksek saptandı (sırasıyla $p=0.001$, $p=0.017$). Kalite skorları açısından da benzer şekilde BARD ve Perplexity arasında fark saptanmazken ($p=0.253$) ChatGPT-4 skorları anlamlı olarak daha BARD ve Perplexity'den daha yüksek saptandı (sırasıyla $p=0.015$, $p<0.001$). Doğruluk skorları ChatGPT-4, Perplexity ve BARD için sırasıyla $5,22\pm 0,83$, $4,22\pm 0,44$ ve $3,78\pm 0,83$ iken kalite için $4,56\pm 0,72$, $3\pm 0,86$, $3,56\pm 0,72$ idi. ChatGPT, Behçet hastalığı ile bilgi doğru ve kaliteli bilgi sağlamada BARD ve Perplexity'den daha iyi performans göstermiştir. Yapay zeka modelleri genel anlamda hastalar için faydalı bir bilgi kaynağı olmakla beraber yanlış ve eksik bilgi içerebilecekleri de unutulmamalıdır.

Anahtar Kelimeler: Behçet hastalığı, doğruluk, yapay zeka, kalite

EVALUATING THE ACCURACY AND QUALITY OF ARTIFICIAL INTELLIGENCE LANGUAGE MODELS FOR PROVIDING INFORMATION ON BEHÇET'S DISEASE

ABSTRACT

Behçet's disease is a rheumatic condition that affects many systems and may lead to mortality and morbidity. Due to its complexity, the internet has been an increasingly popular source of health information for patients in recent years, helping to decrease fears about the disease and enhance their knowledge. This study aims to assess the accuracy and quality of artificial intelligence models for providing information on Behçet's disease. This prospective cross-sectional study assessed the performance of three artificial intelligence models (Perplexity, ChatGPT version 4, and BARD) on health information relevant to Behçet's disease. Nine queries were determined as the most commonly searched terms for Behçet's disease in Google Trends (Behçet's disease definition, etiology, diagnosis, treatment, pathergy, uveitis, erythema nodosum, oral aphth), and these queries were inserted into all three models as questions. The responses were graded sequentially using a predefined 6-point Likert-type scale (from 1 - entirely false to 6 - fully true) and the global quality scale, which is a 5-point Likert-like scale, for quality. There was no difference in accuracy scores between BARD and Perplexity ($p=0.366$), while ChatGPT-4 scores were considerably higher than BARD and Perplexity ($p=0.001$, $p=0.017$, respectively). In terms of quality scores, there was no significant difference between BARD and Perplexity ($p=0.253$), however ChatGPT-4 scores were significantly higher ($p=0.015$, $p<0.001$, respectively). The accuracy scores for ChatGPT-4, Perplexity, and BARD were 5.22 ± 0.83 , 4.22 ± 0.44 , and 3.78 ± 0.83 , respectively, whereas the quality score was 4.56 ± 0.72 , 3.0 ± 0.86 , 3.56 ± 0.72 . ChatGPT demonstrated superior performance in providing accurate and high-quality information about Behçet's illness. Although artificial intelligence models may provide helpful information in general, it is important to remember that they may include inaccurate or missing information for patients.

Keywords: Behçet's disease, accuracy, artificial intelligence, and quality.

THE COMPARISON OF PWM AND PFM CONTROL METHODS ON LLC RESONANT ISOLATED CONVERTER

Burak Yiğitcan BAŞTUĞ

Ankara Yıldırım Beyazıt University, Department of Electrical and Electronics Engineering, Ankara

ORCID ID: 0009-0003-3978-6266

Ahmet KARAARSLAN

Ankara Yıldırım Beyazıt University, Department of Electrical and Electronics Engineering, Ankara

ORCID ID: 0000-0001-6475-4539

ABSTRACT

In this study, the analysis and simulation study of the LLC Resonant Isolated Converter, used in server energy systems, is presented. The study proposes the development of a PI-based Pulse Width Modulation (PWM) and Pulse Frequency Modulation (PFM) control method. These two control methods exhibit more robustness and better setpoint monitoring for unstable processes compared to other controllers. Additionally, PWM and PFM control methods are fundamental in control algorithms, being employed in many complex systems; hence, understanding these methods is crucial for future applications. The LLC Resonant Converter topology was chosen to overcome the disadvantages of other topologies, such as Buck-Boost, Sepic, and Cúk converters, commonly used in similar applications. Moreover, this topology offers high efficiency, up/down voltage conversion, and excellent transient response across a broad input and output voltage range. Due to these features, the LLC Resonant Converter Topology finds widespread use in both industrial products and academic studies, further justifying its selection. The performance of the control methods was meticulously analyzed and compared through simulation studies conducted using Matlab/Simulink and LTspice programs.

Keywords: LLC Resonant Converter, DC-DC Converter, PI based Pulse Width Modulation (PI-PWM), Pulse Frequency Modulation (PFM)

PWM VE PFM KONTROL YÖNTEMLERİNİN LLC REZONANS İZOLE ÇEVİRİCİ ÜZERİNDE KARŞILAŞTIRMASI

ÖZET

Bu çalışmada, sunucu enerji sistemlerinde kullanılan LLC Rezonanslı İzole Konvertör'ün analizi ve simülasyon çalışması sunulmaktadır. Çalışma, PI tabanlı Darbe Genişlik Modülasyonu (PWM) ve Darbe Frekans Modülasyonu (PFM) kontrol yönteminin geliştirilmesini önermektedir. Bu iki kontrol yöntemi, diğer kontrolörlerle karşılaştırıldığında daha sağlam bir yapı sergileyerek kararsız süreçler için daha iyi bir setpoint izleme sağlar. Ayrıca, PWM ve PFM kontrol yöntemleri, birçok karmaşık sistemde kullanılan temel kontrol algoritmalarındandır; bu nedenle, bu yöntemleri anlamak gelecekteki uygulamalar için önemlidir. LLC Rezonanslı Konvertör topolojisi, benzer uygulamalarda yaygın olarak kullanılan Buck-Boost, Sepic ve Cúk konvertörleri gibi diğer topolojilerin dezavantajlarını ortadan kaldırmak için seçilmiştir. Ayrıca, bu topoloji yüksek verimlilik, yukarı/aşağı gerilim dönüşümü ve geniş bir giriş ve çıkış gerilim aralığında mükemmel geçici tepki sunar. Bu özelliklerinden dolayı, LLC Rezonanslı Konvertör Topolojisi, endüstriyel ürünlerde ve akademik çalışmalarda geniş bir kullanım bulur, bu da seçilmesini daha da haklı çıkarır. Kontrol yöntemlerinin performansı, Matlab/Simulink ve LTspice programları kullanılarak gerçekleştirilen simülasyon çalışmaları üzerinden detaylı bir şekilde analiz edilmiş ve karşılaştırılmıştır.

Anahtar Kelimeler: LLC Rezonans Çevirici, DC-DC Çevirici, PI tabanlı Darbe Genişlik Modülasyonu (PI-DGM), Darbe Frekans Modülasyonu (DFM)

1. INTRODUCTION

Nowadays both academical research and industrial applications focus on improving current converters to develop more efficient, robust, and compact systems. To do that different topologies and control methods should be combined. Finding a simple, efficient, and robust topology and control technique is so important in nowadays' applications.

In the literature review of topologies, there were seen different topologies that can used in server and other power applications such as LLC Resonant Converter [1], Full Bridge Converter [2], Half Bridge Converter [3] and Dual Active Bridge (DAB) Converter [4]. But it is realized that LLC resonant converter is widely used topology in industry and academy because it has high efficiency, up/down voltage conversion, excellent transient response over a very wide input and output voltage range, wide range soft switching, relatively low component count, simple or no

control features and fault tolerant application potentials [1], [5]. So, LLC Resonant Converter topology is chosen for this paper’s application.

Designing an LLC converter that can used in server applications is an aim of [1]. the basic structure of a server power system is presented. It has AC-DC converter in entry, and it converts 110-230VAC voltage to 48V DC bus voltage. After that there are 2 options to deliver power to the internal loads. Single-stage and 2-stage power converters. Single stage power converters can convert 48V directly to the needed levels. But 2 stage systems firstly convert 48V to 12V intermediate voltage and after that they convert 12V to the needed levels. LLC converter for 2-stage systems that can convert 48V to 12V was developed without using control methods [1]. This method called as unregulated fixed-ratio bus converter, also known as a dc–dc transformer (DCX) [1], [6]. LLC structure is suitable for this method and converter can reach %98 efficiency because without control in the converter, switches can embrace wide range Zero Voltage Switching (ZVS) and Zero Current Switching (ZCS) features. Server power structure is shown in Fig. 1 [1].

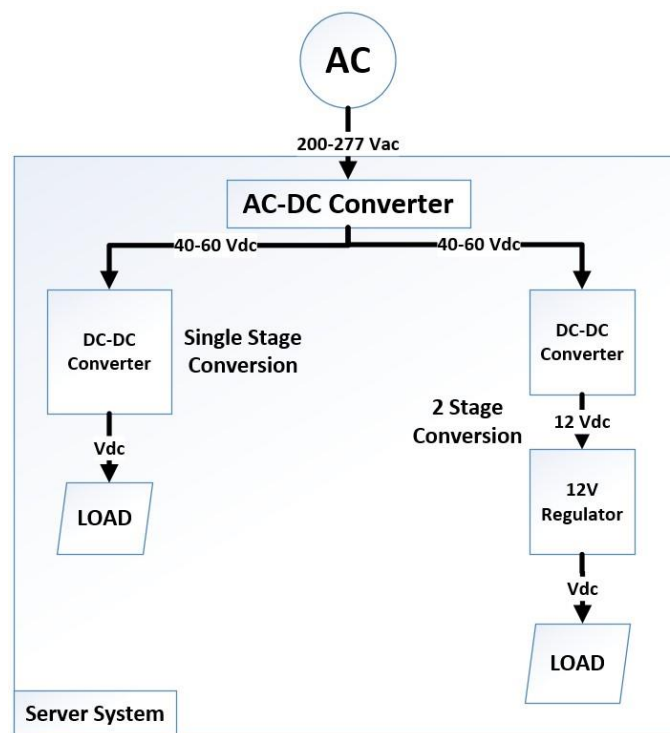


Figure 1. General Structure of Server Power Systems

Control methods are examined to determine methods which are simple, efficient, and better for handling unstable conditions [7], [8], [9], [10], [11]. It is observed that PI based Pulse Width Modulation (PI-based PWM) and Pulse Frequency Modulation is suitable for this application [7], [8]. These control methods are fundamental in power electronic control systems also, so

they are used in more complex control methods [12], [13], [14]. Observing effect of control methods via simulations is a target of this paper. Control methods were simulated in LTspice and Matlab/Simulink programs and compared based on simulation results.

In section 2, the simulation studies and LLC resonant converter circuit were explained, and the base simulation results that are used to compare with simulations that have control methods were given. In section 3, proposed control methods that are used in final simulations were explained and constructed in Matlab/Simulink program. In section 4, Simulations were done with proposed control blocks and results were compared with base simulation results. Finally, conclusion section was given.

2. SIMULATION STUDIES OF LLC RESONANT CONVERTER

LLC Resonant Converter has full bridge primary, L-C resonant tank, high frequency (HF) isolation transformer and secondary synchronous rectifier. Circuit [1] does not have a control method and it is called as the unregulated fixed-ratio bus converter, also known as a dc-dc transformer (DCX). To understand effects of control systems, simulation results that are not contain any control methods are needed. But before that all simulation values must be known to get accurate results.

In Fig. 2a, LLC circuit is shown. It has S1-4 primary switches, resonant tank $C_r - L_r$, N:1:1 turn ratio high frequency isolation transformer and secondary synchronous rectifier switches SR1-2. In Fig. 2b, theoretical waveforms is shown. Gate-Source and Drain-Source voltages of primary and secondary MOSFET's, Resonant and magnetizing currents, and secondary currents are given.

It can understand from these waveforms, primary and secondary switches have soft switching features such as Zero Voltage Switching (ZVS) and Zero Current Switching (ZCS). Also in primary, voltage drop on switches is V_{in} . In secondary, voltage drop is $2 * V_{out}$. There is a dead time in the signals. It is needed to prevent short circuits on leg and to ensure soft switching feature.

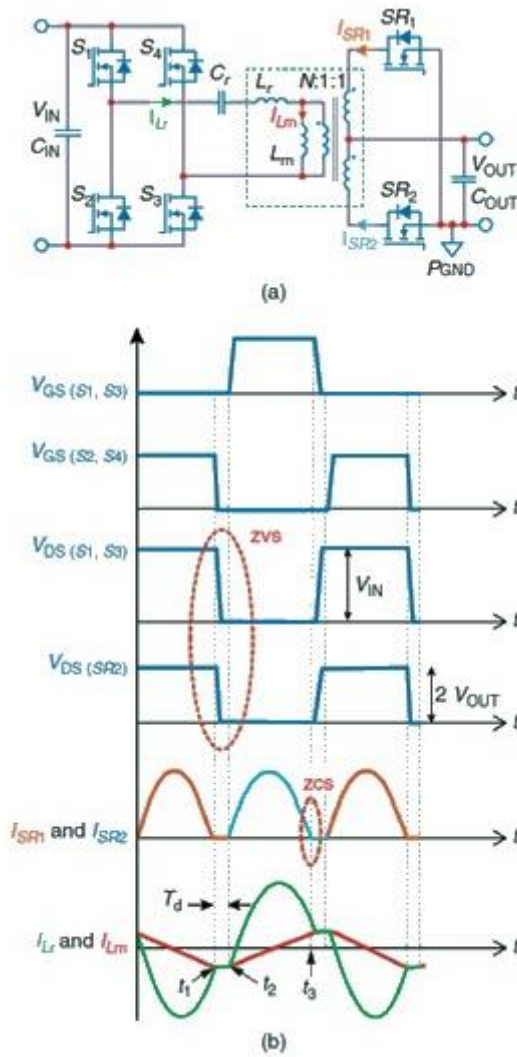


Figure 2. a) LLC Converter, b) Circuit's ideal switching waveforms [1]

2.1. Unknown Lr Value Calculation

The resonance inductance, L_r value can be calculated via following formula [15].

$$f_r = \frac{1}{2 \times \pi \times \sqrt{L_r \times C_r}} \tag{1}$$

It is stated that in LLC converter resonance frequency (f_r) should be same or close to the switching frequency to reach maximum efficiency so with that information and given values of Switching Frequency (f_{sw}) and Resonance Capacitance (C_r), Resonance Inductance (L_r) was calculated.

Table 1. Component values and names

LLC Circuit Component Values and Names

f_{sw}	1 MHz
C_r	4.2 μ F
L_m	2.2 μ H
P_{out}	900 W
V_{in}	48 V
V_{out}	12 V
I_{out}	75 A
Primary Transistors	EPC2053
Secondary Transistors	EPC2024
C_{out}	100 μ F
C_{in}	50 μ F

With formula (1) and values in table 1, L_r value equals to

$$L_r = 6 \text{ nH}$$

$$L_r \approx 5 - 22 \text{ nH}$$

6 nH was found as a result of calculation but it was also found that between 5-22 nH values can be used without excessive instabilities. This value range was found from simulations.

Normally, C_{in} and C_{out} values are not given but it can be estimated from PCB size. Tiny and compact PCB that has only 36-37-7 mm dimensions was developed [1] so it cannot have enough area to place big electrolytic capacitors. And bigger capacitance values can influence response of circuit so small values are chosen for input and output capacitances.

2.2. LLC Circuit Simulation without Control Methods

The proposed circuit [1] was simulated with given and calculated parameters in LTspice program. It is because LTspice has custom components simulation feature and manufacturer of primary and secondary transistors published selected transistors simulation files. So that components were used in the first simulations to increase accuracy of simulations. Simulation circuit is shown in Fig. 3.

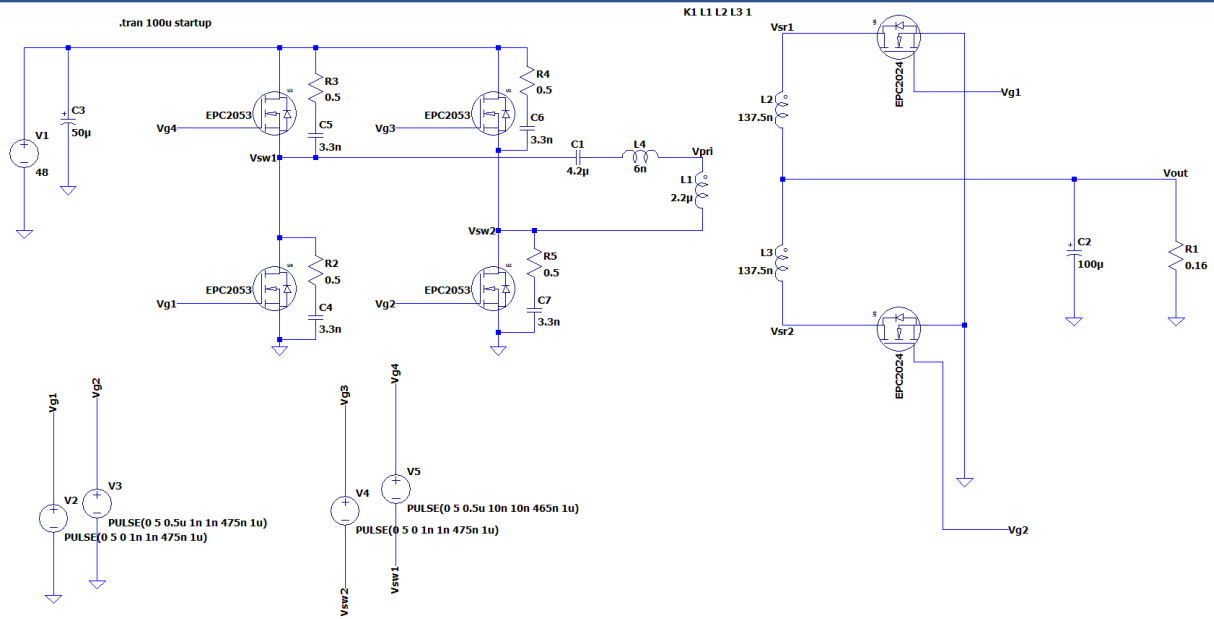


Figure 3. LLC Simulation Circuit in LTSpice

Simulation waveforms matches with the theoretical waveforms, but they are not exactly same. Especially resonant inductance current and efficiency values. This probably have caused because of transformer definition of LTSpice and RC snubber circuit. Without snubber circuit, high frequency ringing noises were observed in switching nodes and resonant current, so snubber was added to simulation, and it effected power results. With average input and output powers, efficiency approximately is observed 88%. Waveforms are shown in Fig. 4.

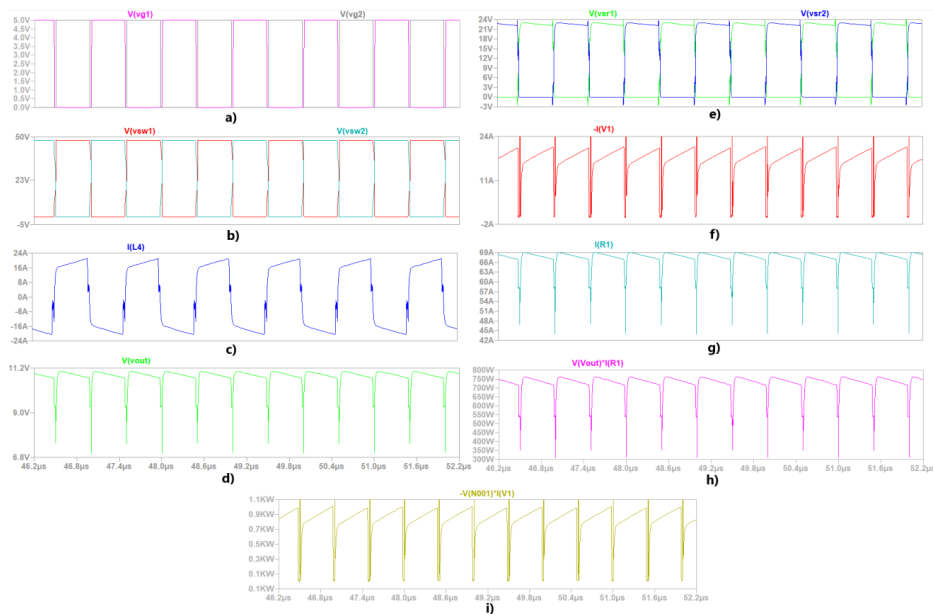


Figure 4. Simulation Waveforms Under the Full Load. a) Gate Signals, b) Primary Leg Midpoint Voltage, c) Resonance Inductor Current, d) Output Voltage, e) Secondary SR Transistor Drain-Source Voltage, f) Input Current, g) Output Current, h) Output Power and i) Input Power

3. PI BASED PWM AND PFM CONTROL METHODS

3.1 PI Based PWM Controller

In proposed control method, the PI control is implemented, and the output of PI blocks adjusts the duty ratio of MOSFET's according to the feedback sampled signal. The PWM block generates gate signals with calculated duty ratio. Switching frequency is constant and only duty ratio changes. There are some techniques to determine K_p and K_i values of PI block but in this application, these values were determined as accurate as possible with simulation trials to prevent oscillations and instabilities.

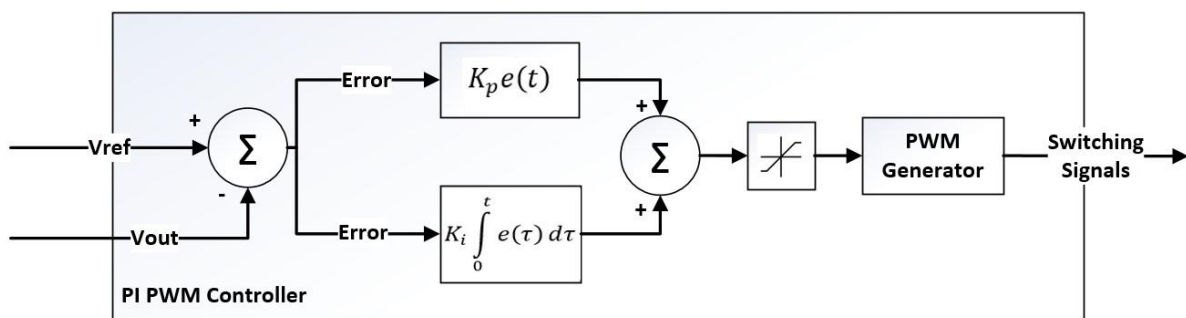


Figure 5. Structure of PI Based PWM Control

The duty cycle must be limited on 0.5 to prevent instabilities in full bridge structure in the LLC converter. Dead time is also a consideration for developing control blocks on application so PWM signal should be shifted instead of using not gate. In Matlab/Simulink, control system is implemented with using structure in Fig. 5. Error is calculated with target voltage and output voltage. Then, the error signal enters PI block that has anti windup saturation limited between 0-0.5. Output of PI block determine duty ratio of switches. To generate proper switching signals, variable pulse generator block is used. It needs duty ratio and switching period. It output PWM signals of 1 switch group. In Fig. 2a, Switches S1-S3-SR2 use same switching signal and S2-S4-SR1 use switching signal that is time shifted form of previous group signal. Time shift amount is half of switching period, so it is $0.5 \mu s$. After pulse generator block, one switch group's signal is ready, and other group's signal generated with time shift block. Developed control system is shown in Fig. 6.

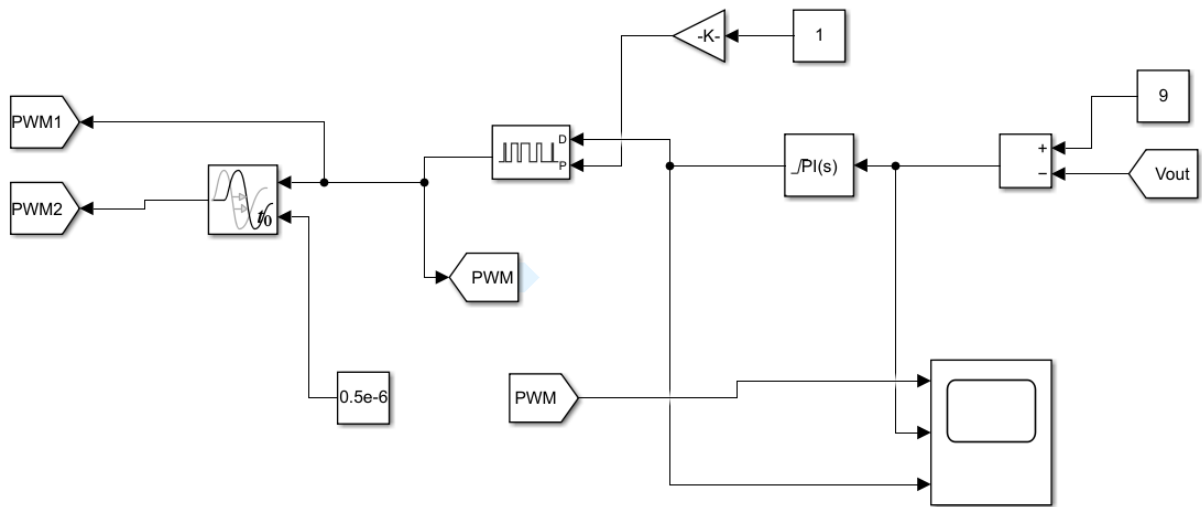


Figure 6. PI-PWM Control System in Matlab/Simulink

3.2 PFM Controller

PFM control is different from PWM due to both switching frequency and duty ratio changes. Turn-on time of switches is same and $0.5 \mu s$ and detected by fundamental frequency that is 1 MHz in this application but when switching frequency changes in control system, duty ratio changes to fix turn-on time to $0.5 \mu s$. Circuit is controlled by this variable duty ratio and frequency signals.

If output voltage error increases on positive plane that means V_{out} is lower than $V_{desired}$, system increases switching frequency to compensate this error. But if, error increases on negative plane that also means V_{out} is higher than $V_{desired}$, system decrease switching frequency to reach desired output level. It is the fundamental mechanics of PFM control. It is shown in Fig. 7.

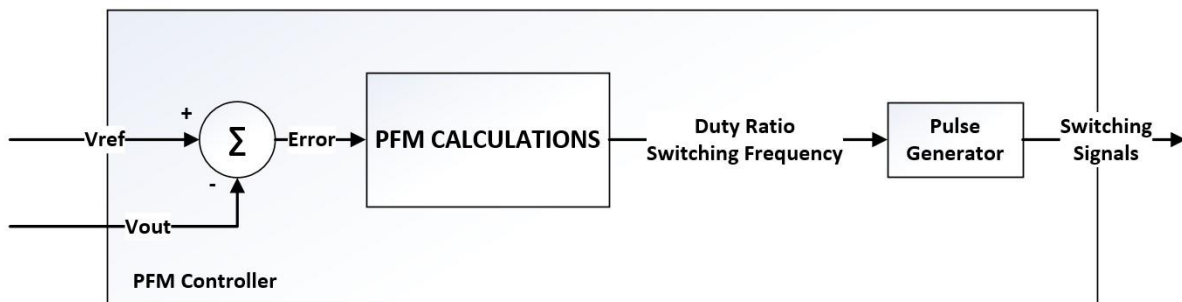


Figure 7. Structure of PFM Control System

To control LLC converter with PFM control, custom PFM controller developed with Matlab code block in Simulink. It uses output voltage error to calculate duty ratio and switching

frequency and it has variable step time feature to increase accuracy. After the calculation of duty ratio and switching frequency, pulse generator block generates switching signal for one group. Time shift block is used to create another switch groups signal. Developed PFM control system in Simulink is shown in Fig.8.

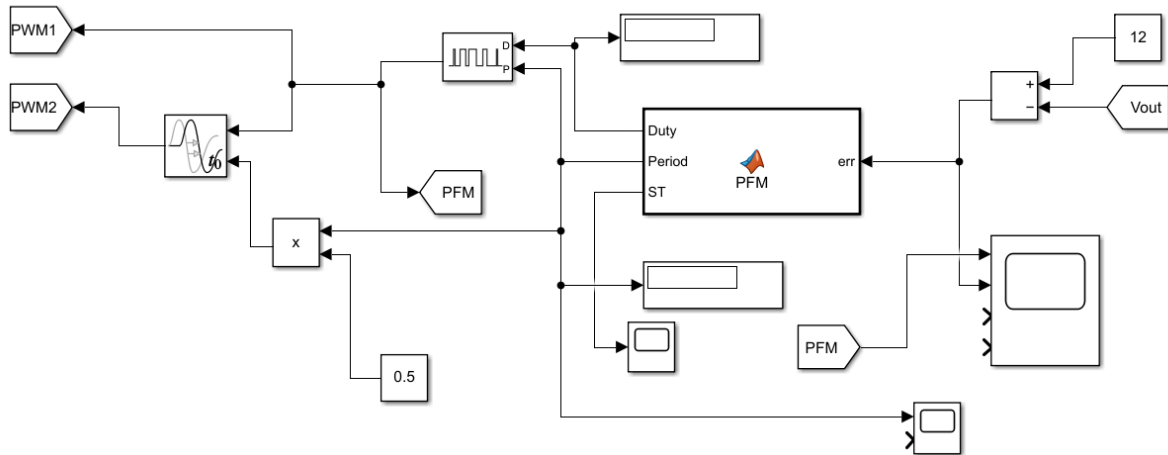


Figure 8. PFM Control System in Simulink

4. SIMULATION RESULTS WITH CONTROL METHODS

4.1 LLC Converter Simulation with PI-PWM Control

In previous sections, LLC converter topology and PI-PWM control is explained. Simulation was setup in Matlab/Simulink program. Simulation of the control method and topology are shown in Fig. 9.

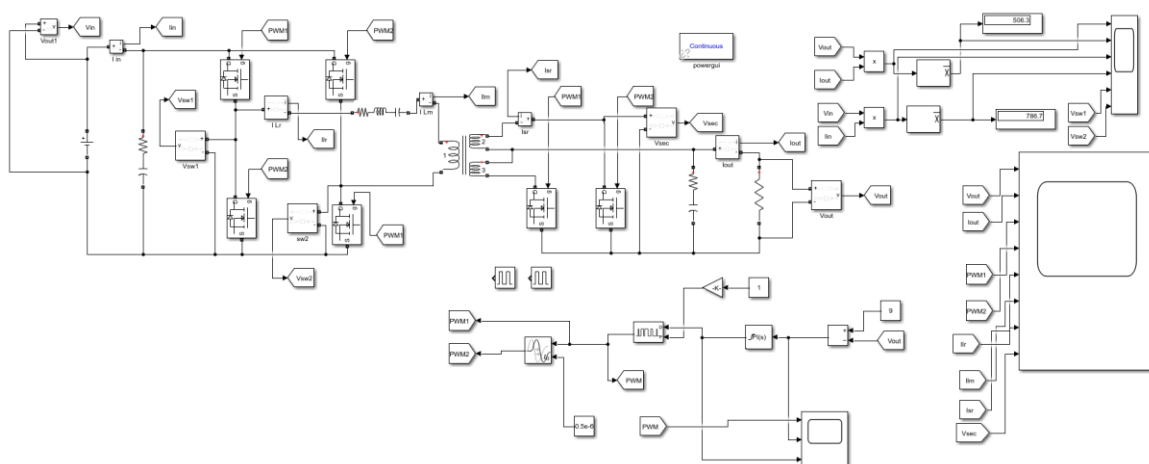


Figure 9. LLC Simulation Circuit with PI-PWM Control

As an expected, Control method and variation on duty ratio instead of dc–dc transformer (DCX) method affect switching waveforms. This changes also prevents soft switching on primary and secondary MOSFET’s, so it decreases efficiency. It is determined as 64% in simulation. But with the control, circuit can produce wide range of voltage on output without changing any hardware. DCX method only produces fixed fraction of input voltage that determined by HF transformer’s turn ratio. Simulation waveforms are shown in Fig. 10.

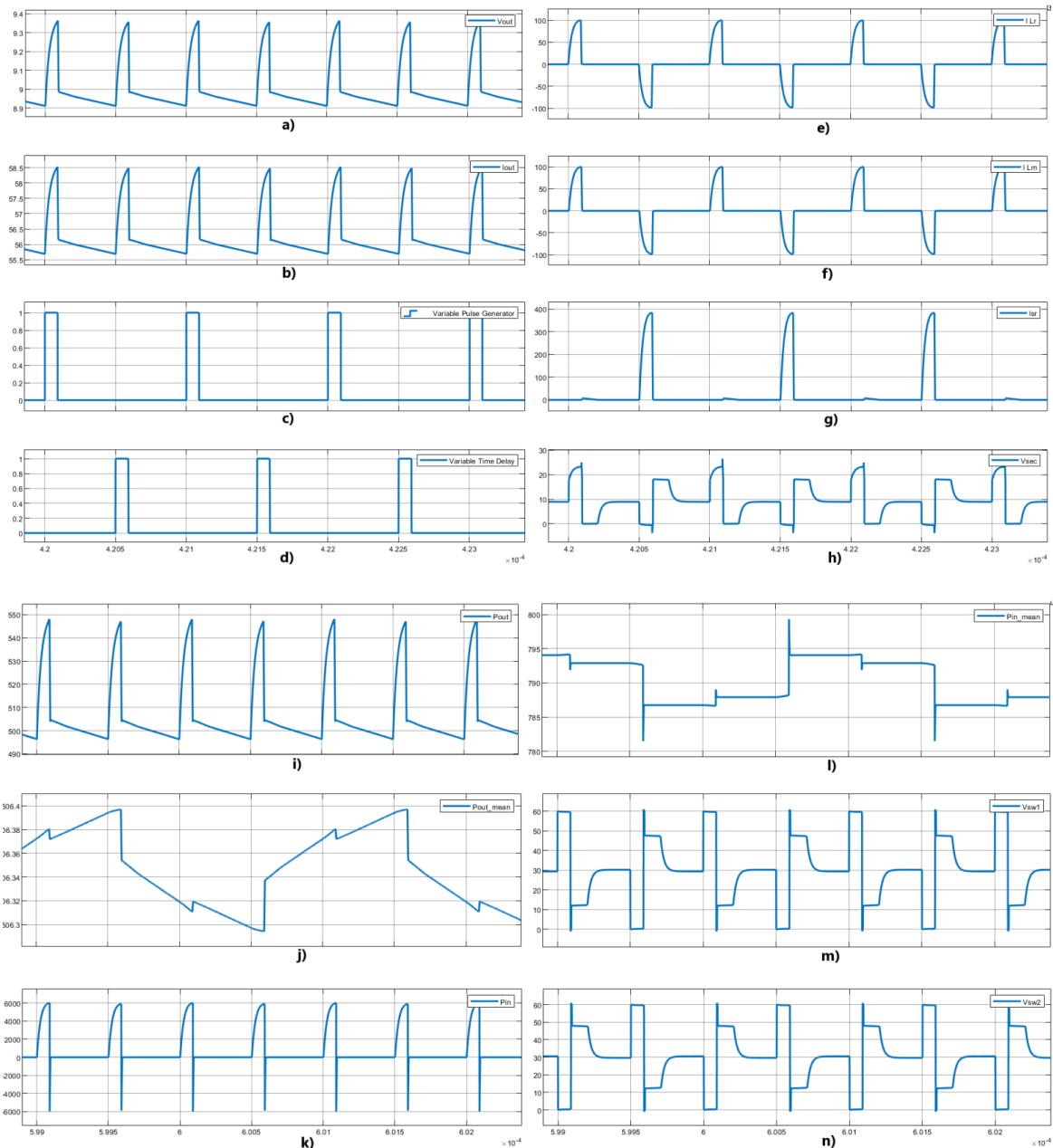


Figure 10. LLC with PI-PWM Control Simulation Waveforms Under the Full Load. a) Output Voltage, b) Output Current, c-d) Gate Signals, e) Resonance current, f) Magnetizing Current, g) Secondary SR Current and h) Voltage, i-j) Output Power, k-l) Input Power and m-n) Switching Node Voltages of Primary Transistors

4.2 LLC Converter Simulation with PFM Control

In previous sections, PFM control method is explained. The simulation was setup in Matlab/Simulink program. Simulation circuit is shown in Fig. 11.

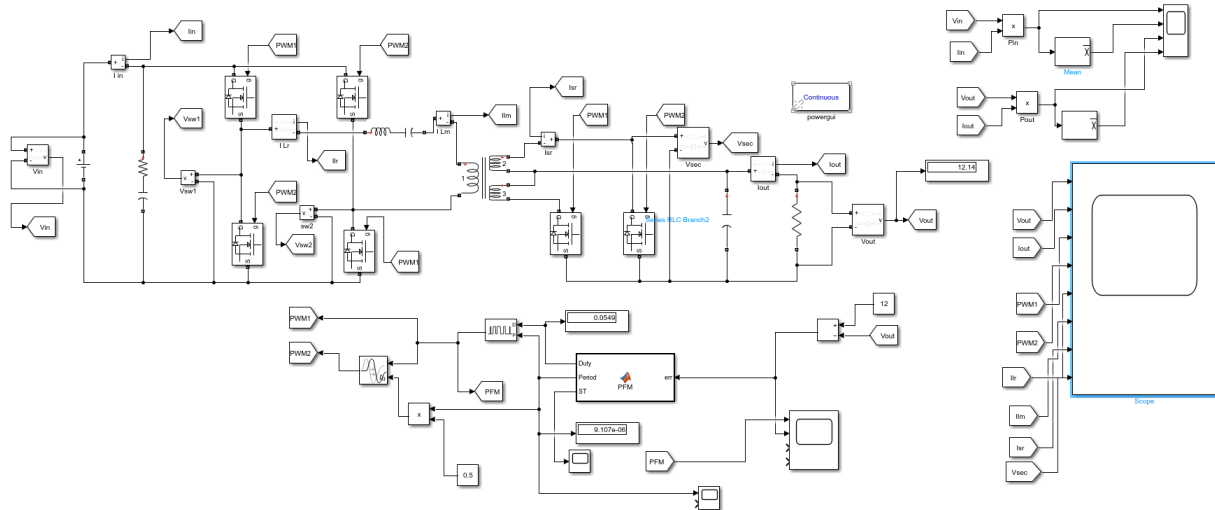


Figure 11. LLC Simulation Circuit with PFM Control

This method also decrease efficiency. But it can efficiently achieve target voltage with low distortion on output voltage. Efficiency result of simulation is approximately 58%. Simulation waveforms are shown in Fig. 12.

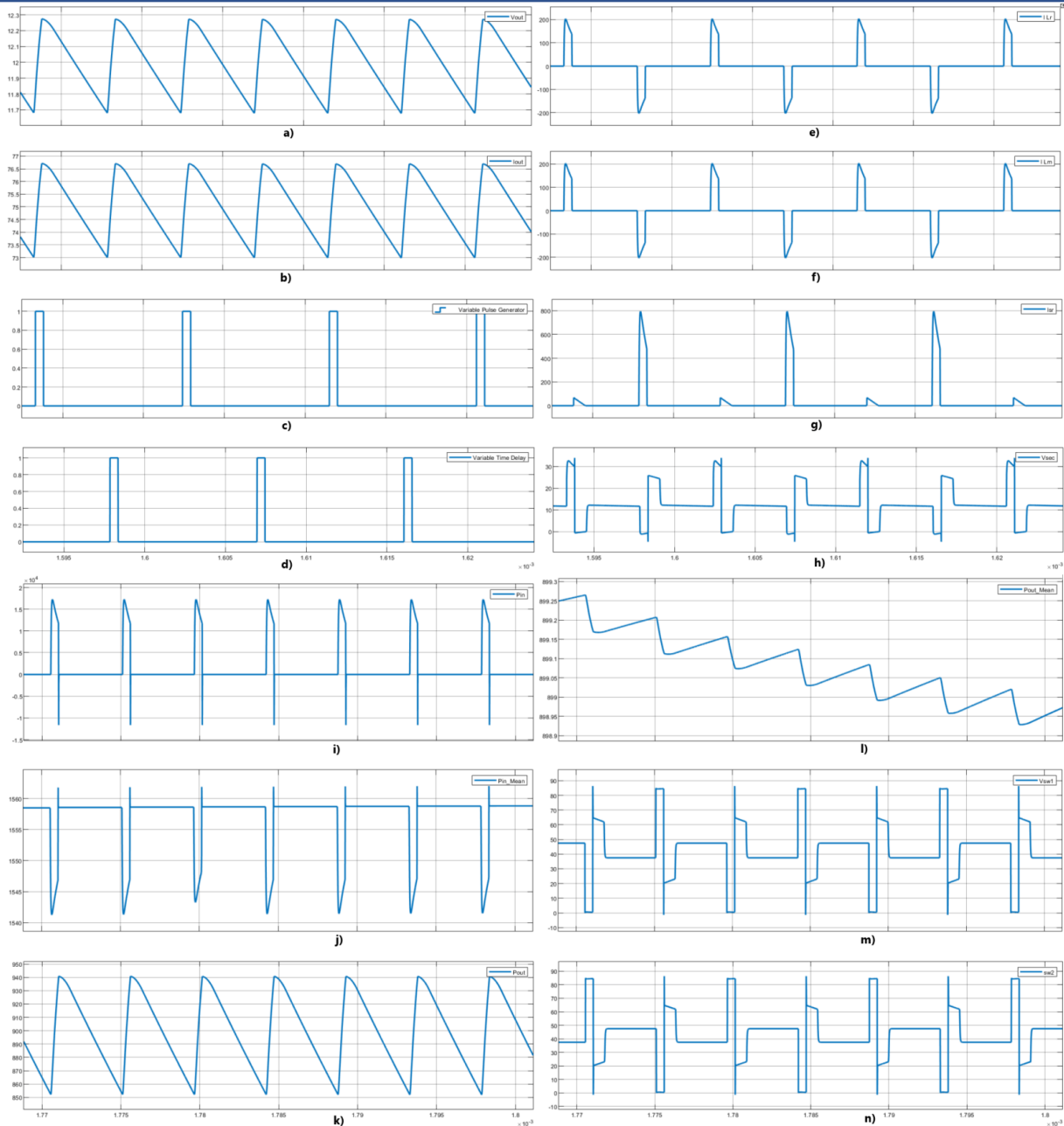


Figure 12. LLC with PFM Control Simulation Waveforms Under the Full Load. a) Output Voltage, b) Output Current, c-d) Gate Signals, e) Resonance Current, f) Magnetizing Current, g) Secondary SR Current and h) Voltage, i-j) Input Power, k-l) Output Power and m-n) Switching Node Voltages of Primary Transistors

But these lower efficiencies may be caused from structure of Matlab/Simulink. Transformer definitions in Simulink are relatively more complex. These control methods are open to improvements to solve efficiency problems. Embedding these methods into complex techniques can improve efficiency and soft switching features.

5. CONCLUSION

In this study, the behavior of control systems PI-based Pulse Width Modulation (PI-PWM) and Pulse Frequency Modulation (PFM) are observed and compared on isolated LLC Resonant Converter. The simulation results are obtained in LTspice and Matlab/Simulink programs. PFM and PWM control methods are studied, and control system is developed on Matlab/Simulink environment. According to the simulation results, PI-PWM and PFM methods can use in LLC Resonant Converter to generate wide range output voltages with low output distortion. These control techniques can affect overall system efficiency due the loss of soft switching features on MOSFETs. But control techniques have potential for further improvements. These improvements may solve efficiency problem with more complex control algorithms that include these fundamental methods.

REFERENCES

- [1] Mohamed H. Ahmed, Michael A. de Rooij, and Jianjing Wang, March 2019, "High-Power Density, 900-W LLC Converters for Servers Using GaN FETs", IEEE Power Electronics Magazine, Volume: 6, Issue: 1 (40-47)
- [2] M. Xu, Y. Ren, J. Zhou, and F. C. Lee, September 2005, "1-MHz self-driven ZVS full bridge converter for 48-V power pod and dc/dc brick", IEEE Transactions on Power Electronics, Volume: 20, Issue: 5 (997 - 1006)
- [3] Cheol-O Yeon, Jae-Bum Lee, Il-Oun Lee and Gun-Woo Moon, May 2016, "Wide ZVS Range Asymmetric Half-Bridge Converter with Clamp Switch and Diode for High Conversion Efficiency", IEEE Transactions on Industrial Electronics, Volume: 63, Issue: 5 (2862 - 2870)
- [4] Tat-Thang Le, Minh-Khai Nguyen, Truong-Duy Duong, Caisheng Wang and Sewan Choi, February 2023, "Open-Circuit Fault-Tolerant Control for a Three-Phase Current-Fed Dual Active Bridge DC-DC Converter", IEEE Transactions on Industrial Electronics, Volume: 70, Issue: 2 (1586 - 1596)
- [5] Weikang Wang, Yang Liu, Peng Zhang, Yining Yuan, Jin Zhao, Poh Chiang Loh, August 2023, "A Fault-Tolerant LLC Converter with High Reliability and Low Cost for Two-Stage Converters", IEEE Transactions on Power Electronics, Volume: 38, Issue: 8 (9647 - 9659)
- [6] Fei Liu, Xinbo Ruan, Yuyang Jiang, June 2023, "Resonant Peak Suppression Approaches for Improving the Dynamic Performance of DCX-LLC Resonant Converter Based Two-Stage DC-DC Converter", IEEE Transactions on Industrial Electronics, Volume: 70, Issue: 6
- [7] Yie-Tone Chen and Cing-Hong Chen, November 2009, "A DC-DC buck converter chip with integrated PWM/PFM hybrid-mode control circuit", 2009 International Conference on Power Electronics and Drive Systems (PEDS)
- [8] Rahmi İlker Kayaalp, Tuğçe Demirdelen, Mehmet Tümay, July 2016, "A Novel Fuzzy Logic Control for Bidirectional DC-DC Converter and Comparison with Dual Phase Shift Control Method in Medium Voltage Applications", 2016 IEEE International Conference on Computational Intelligence and Virtual Environments for Measurement Systems and Applications (CIVEMSA)
- [9] Martin Moreno, Javier Pereda, Felix Rojas, Ivan Dominguez-Lopez, January 2021, "Decoupled PI Controllers Based on Pulse-Frequency Modulation for Current Sharing in Multi-Phase LLC Resonant Converters", IEEE Access, Volume: 9 (15283 - 15294)
- [10] Hongfei Wu, Tiantian Mu, Xun Gao, Yan Xing, April 2015, "A Secondary-Side Phase-Shift-Controlled LLC Resonant Converter with Reduced Conduction Loss at Normal Operation for Hold-Up Time Compensation Application", IEEE Transactions on Power Electronics, Volume: 30, Issue: 10 (5352 - 5357)
- [11] Xuliang Yao, Xiao Han, Yuefeng Liao, Jingfang Wang, March 2022, "PWM Strategy for Start-Up Process of LLC Resonant Converter Based on Event Trigger Control Method", IEEE Transactions on Circuits and Systems II: Express Briefs, Volume: 69, Issue: 3 (1357 - 1361)

- [12] Ahmet Karaarslan, September 2018, “Modeling and Performance Analysis of Cuk Converter using PI and OCC Method”, International Journal on Technical and Physical Problems of Engineering, Volume: 10, Issue: 36 (1-5)
- [13] Özkan Özkara, Ahmet Karaarslan, 2023, “Continuous Time Least Square PI Control Method for Quasi-Z Source Inverter”, Tehnicki Vjesnik, Volume: 4, Issue: 30 (1088-1095)
- [14] Ahmet Karaarslan, Ali Shaibu, December 2022, “Performance Analysis and Comparison of Non-Inverting Buck-Boost Converter Using PI, OCC, and Hybrid OCC-PI Control”, Journal of Electrical Technology UMY (JET-UMY), Vol: 6, Issue: 2 (97-104)
- [15] Yuqi Wei, Quanming Luo, Alan Mantooth, December 2019, “Comprehensive Analysis and Design of LLC Resonant Converter with Magnetic Control”, CPSS Transactions on Power Electronics and Applications, Volume: 4, Issue: 4 (265 - 275)

TWO-MODE ACTIVE BALANCING CIRCUIT BASED ON SWITCHED-CAPACITOR AND THREE-RESONANT-STATE LC UNITS FOR SERIES-CONNECTED CELL STRINGS

Senem ALTUNBAŞ

Ankara Yıldırım Beyazıt University, Department of Electrical and Electronics Engineering, Ankara

ORCID ID: 0009-0002-4831-0553

Ahmet KARAARSLAN

Ankara Yıldırım Beyazıt University, Department of Electrical and Electronics Engineering, Ankara

ORCID ID: 0000-0001-6475-4539

ABSTRACT

In this study, a two-mode active balancing circuit designed for series-connected cell strings has been implemented, utilizing capacitor-switched and three-resonant-state LC units. The circuit incorporates the simultaneous application of Any Cell to Any Cell (AC2AC) and Direct Cell to Cell (DC2C) modes to achieve active cell balancing. The identification of the cell with the lowest voltage at the discharge point and the cell with the highest voltage at the charge point is pivotal for battery pack optimization. Cell balancing is a critical factor in ensuring the efficiency and longevity of batteries. Energy flow among unbalanced cells occurs concurrently in the AC2AC mode. The AC2AC mode employs switched capacitors for cell balancing, where switching operations enable the charge/discharge of capacitors by supercapacitors, ensuring effective balancing. The DC2C mode facilitates energy transfer between high-voltage and low-voltage cells, sequentially balancing the cells. In the DC2C mode, energy flows from a high-voltage supercapacitor to a low-voltage capacitor through a resonance circuit. The proposed control strategy utilizes both modes based on a predetermined threshold value. The advantages and disadvantages of each mode are individually presented and further discussed in combination after an initial separate evaluation. The combined application of AC2AC and DC2C modes enhances the balancing performance compared to single-mode balancing. The primary objective is to achieve rapid balancing and high efficiency. The performance of these balancing methods has been thoroughly analyzed and compared through simulation studies conducted using the Matlab/Simulink program.

Key words: cell balancing, any cell to any cell (AC2AC), direct cell to cell (DC2C), switched capacitor, LC resonance

SERİ BAĞLI HÜCRE DİZİLERİ İÇİN KAPASİTÖR ANAHTARLI VE ÜÇ REZONANS DURUMLU LC BİRİMLERİNE DAYALI İKİ MODLU AKTİF DENGELEME DEVRESİ

ÖZET

Bu çalışmada, seri bağlı hücre dizileri için tasarlanmış iki modlu aktif dengeleme devresi, kapasitör anahtarlama ve üç rezonans durumlu LC birimleri kullanılarak uygulanmıştır. Devre, aktif hücre dengelemeyi başarmak için AC2AC ve DC2C modlarının aynı anda kullanımını içermektedir. Deşarj noktasında en düşük voltaja sahip hücrenin ve şarj noktasında en yüksek voltaja sahip hücrenin belirlenmesi, batarya paketi optimizasyonu için hayati bir öneme sahiptir. Hücre dengeleme, bataryaların verimliliği ve ömrü açısından kritik bir faktördür. Dengesiz hücreler arasındaki enerji akışı AC2AC modunda aynı anda gerçekleşir. AC2AC modu, hücre dengelemesi için anahtarlama kapasitörleri kullanır; burada anahtarlama, süperkapasitörler tarafından kapasitörlerin şarj/deşarj edilmesini sağlayarak etkili bir dengeleme sağlar. DC2C modu, yüksek ve düşük gerilimli hücreler arasında enerji transferini sağlar, sırayla hücreleri dengeleyerek çalışır. DC2C modunda enerji, yüksek gerilimli bir süperkapasitörden düşük gerilimli bir kapasitöre rezonans devresi üzerinden akar. Önerilen kontrol stratejisi, belirlenmiş bir eşik değerine dayanarak her iki modu da kullanmaktadır. Her modun avantajları ve dezavantajları, başlangıçta ayrı bir değerlendirme ardından tek tek sunulmuş ve daha sonra birleşik bir değerlendirme ile tartışılmıştır. AC2AC ve DC2C modlarının birlikte uygulanması, tek modlu dengeleme ile karşılaştırıldığında dengeleme performansını artırır. Temel amaç, hızlı dengeleme ve yüksek verimliliği sağlamaktır. Bu dengeleme yöntemlerinin performansı, Matlab/Simulink programı kullanılarak gerçekleştirilen simülasyon çalışmaları üzerinden detaylı bir şekilde analiz edilmiş ve karşılaştırılmıştır.

Anahtar Kelimeler: hücre dengeleme, herhangi bir hücreden herhangi bir hücreye (AC2AC), direkt hücreden hücreye (DC2C), anahtarlama kapasitör, LC rezonans

1. INTRODUCTION

Energy storage cells are widely used in energy systems, vehicles, mobile devices, and many other fields. However, the electrical properties of these cells can change over time due to environmental changes and manufacturing, resulting in voltage imbalances when the battery cells are in charge/discharge states. This issue reduces battery capacity and performance over time and negatively impacts battery life. Therefore, a cell balancing circuit is required to reduce

the voltage imbalance of battery cells and improve system performance. Cell balancing circuits are divided into two categories: passive cell balancing circuits and active cell balancing circuits. In passive cell balancing circuits, balancing occurs via resistance. Although this method is inexpensive and simple, it is inefficient. It is suitable for low power consumption applications. In active cell balancing circuits, balancing occurs using a capacitor, inductor, transformer, or converter. This method is faster and more efficient than passive cell balancing circuits. According to the energy transfer methods, active cell balancing circuits are mainly direct cell-to-cell (DC2C) [1], [2], [3], [11], cell-to-string (C2S) [4], [5], string to cell (S2C) [6], adjacent cell to cell (AC2C) [7], [8], multi cell to multi cell (MC2MC) [9], [10] and any cell to any cell (AC2AC) [11]. In the C2S process, energy is transferred from the high-voltage cell to the cell string. In the S2C method, energy is transferred from the cell string to the low voltage cell. The MC2MC method transfers energy from a high voltage multiple cell to a low voltage multiple cell. In these three methods, energy transfer between cells is not direct, so their efficiency is low. In the DC2C method, energy flows directly from the high voltage cell to the low voltage cell. With this method, it only balances one pair of cells at a time, which affects its speed. In this method, a multi-winding transformer balancing circuit [12], an LC series resonant circuit [13] and a single inductor balancing circuit [14] can transfer power directly from DC2C. However, in [12] the circuit is limited in terms of the number of windings, complex and expensive. In [13], the balancing current is proportional to the voltage difference between unbalanced cells. In [14], although the voltage difference between cells is small, it requires more cell balancing time and the control algorithm is more complex. In the AC2C process, energy flows between adjacent cells. With this method, the balancing speed decreases as the number of cells increases. In the AC2AC method, energy flows from high voltage cells to low voltage cells simultaneously. AC2AC balancing circuits are mainly divided into three types: multi-winding transformers [15], switched capacitors [16] and individual balancing units [17]. In the multi-winding transformer-based method, each cell requires a separate winding. Since the number of windings in transformer-based circuits is limited, it is practically not possible to design and implement the transformer with “N” number of windings. In the switched capacitor-based method, the balancing speed increases with increasing switching frequency, but the efficiency decreases accordingly. The individual balancing unit method can achieve better balancing performance, but requires complex control circuits, larger circuit size, and is expensive.

This study deals with an two-mode active balancing circuit that can operate in AC2AC and DC2C modes. AC2AC mode is implemented by switched capacitor based balancing circuit. The DC2C mode is implemented by a balancing circuit based on an LC unit with three resonance states. The study is simulated using Matlab/Simulink.

2. TWO MODE BALANCING CIRCUIT

2.1. Circuit Structure

The proposed balancing circuit that is given in Fig. 1 is composed of $n-1$ SC units, one LC resonant unit, one freewheeling diode D and two MOSFET switches S_{n1} , S_{n2} . Each SC unit consists of one capacitor C_i and four MOSFET switches S_{i1} , S_{i2} , S_{i3} , and S_{i4} ($i = 1, 2, \dots, n-1$), and all capacitors have the same value C . The LC resonant unit includes one resonant capacitor C_r , one resonant inductor L_r and one self-resonant switch S_r . The supercapacitor is 200F, the capacitor is 100uF, the values of the resistor, capacitor and coil of the LC tank are 150ohm, 2uF and 27uH respectively.

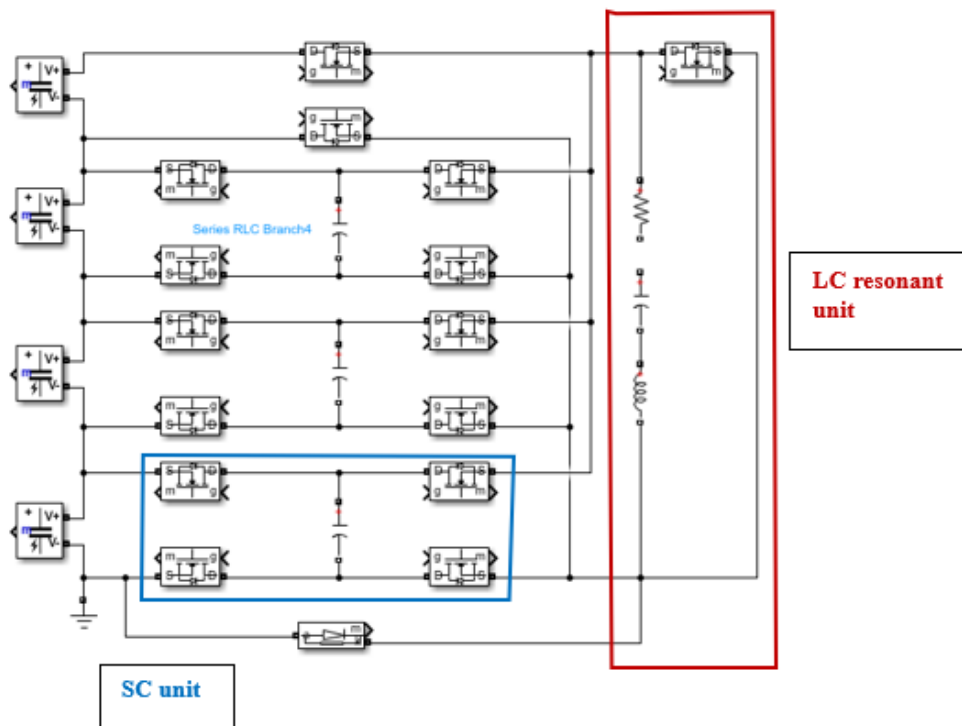


Figure 1. Circuit Structure

2.2. Operation Modes

2.2.1. AC2AC Mode

In AC2AC mode, there are two states in the compensation circuit. The states occur simultaneously, and the switching frequency is 6490 Hz which is given in Fig. 2-a) and b).

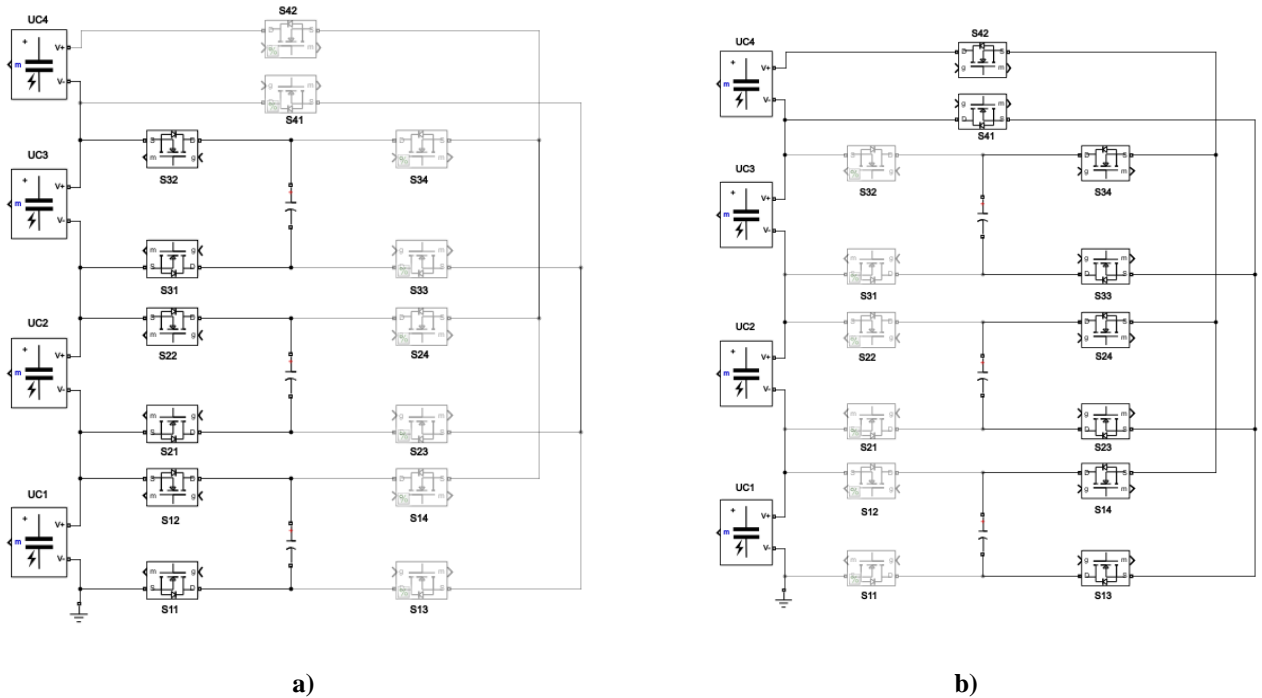


Figure 2. In AC2AC mode, **a) State I b) State II**

State I: MOSFET switches S_{11} , S_{12} , S_{21} , S_{22} , S_{31} and S_{32} are ON, other MOSFET switches are OFF. Energy is transferred between supercapacitor (UC) and capacitor (C). When $V_{UC} > V_C$, the capacitor is charged by the supercapacitor. When $V_C > V_{UC}$, the supercapacitor is charged by the capacitor.

State II: MOSFET switches S_{13} , S_{14} , S_{23} , S_{24} , S_{33} , S_{34} , S_{41} and S_{42} are ON, the others are OFF. Energy is transferred between UC_4 , C_1 , C_2 and C_3 . When $V_{UC_4} > V_{C_i}$ ($i=1,2,3$), the capacitor is charged by the supercapacitor. When $V_{UC_4} < V_{C_i}$, the supercapacitor is charged by the capacitor.

2.2.2. DC2C Mode

There are three operating states in DC2C mode. The three operating states that are given in Fig. 3 a), b) and c) each implement the charging, discharging and self-resonance processes of the LC resonance tank respectively. To achieve zero current switching (ZCS) of the switches, the

duration of each state is half the T_r of the resonance period of the LC resonance tank. Therefore, the switching frequency in DC2C mode can be expressed as Eq. 1.

$$f = \frac{1}{\pi} \sqrt{\frac{1}{L_r C_r} - \frac{R^2}{4L_r^2}} \quad (1)$$

The proposed compensation circuit is implemented under the condition $V_{UC1} > V_{UC2} > V_{UC3} > V_{UC4}$.

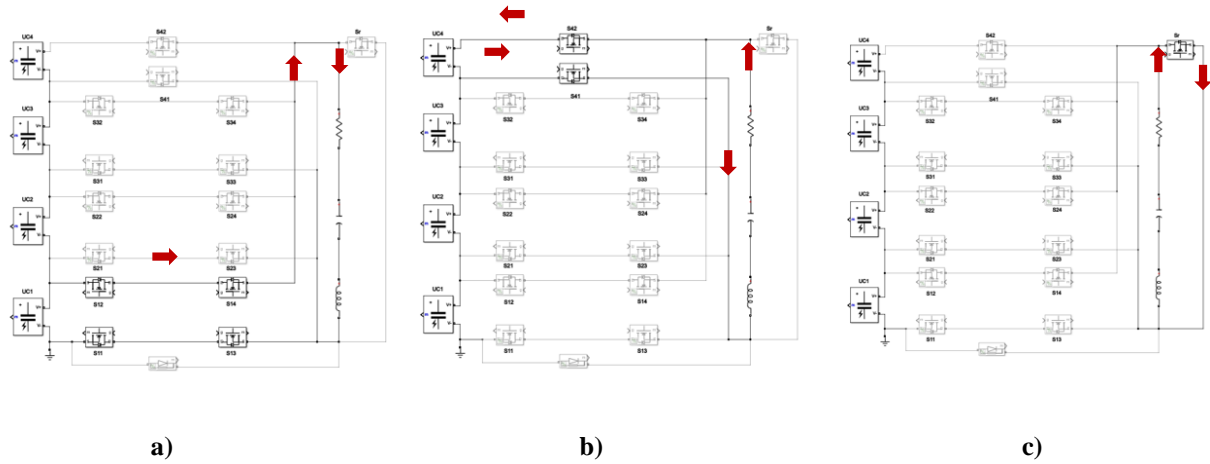


Figure 3. In DC2C mode a) State I b) State II c) State III

State I: The MOSFET switches S_{11} , S_{12} , S_{13} and S_{14} are ON, the others are OFF. The LC resonance tank is charged by cell UC_1 .

State II: MOSFET switches S_{41} and S_{42} are ON, others are OFF. Cell UC_4 is charged by the LC resonance tank.

State III: The S_r MOSFET switch is ON, the others are OFF. The LC resonance tank and S_r form a self-resonance loop and C_r is reverse charged.

When the maximum voltage supercapacitor and the minimum voltage supercapacitor are balanced, the MOSFET switches S_{42} and S_r are open, and the others are closed. The blue line represents the current flow path when the current i_{C_r} is positive at the end of the previous operating state, and the red line represents the opposite current path. Then, the energy stored in the resonant inductor is transferred to the supercapacitor cells or the resonant capacitor, which reduces the energy loss through mutation of the inductor current is reduced and the reliability of the balancing circuit is improved. The dead time circuit configuration after balancing is given in Fig. 4.

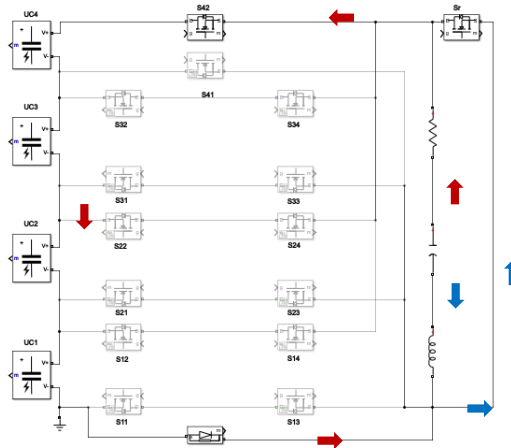


Figure 4. Dead time after the balancing circuit

The calculation of energy efficiency is given in Eq. 2.

$$E_{UC} = 0.5 * C_{UC} * V_{UC}^2 \text{ (} C_{UC} \text{ is the capacitance of supercapacitor)}$$

$$\text{Efficiency \%} = \frac{E_{LV_after} - E_{LV_before}}{E_{HV_before} - E_{HV_after}}$$

(2)

3. CONTROL STRATEGY

The control algorithm for proposed strategy is given in Fig. 5. In this algorithm, V_{th1} is the equalization end threshold and V_{th2} is the mode switching threshold. When $\Delta V_{th1} < V_{UCmax} \leq V_{th2}$, the balancing circuit works in DC2C mode and when $V_{UCmax} > V_{th2}$, the balancing circuit works in AC2AC mode.

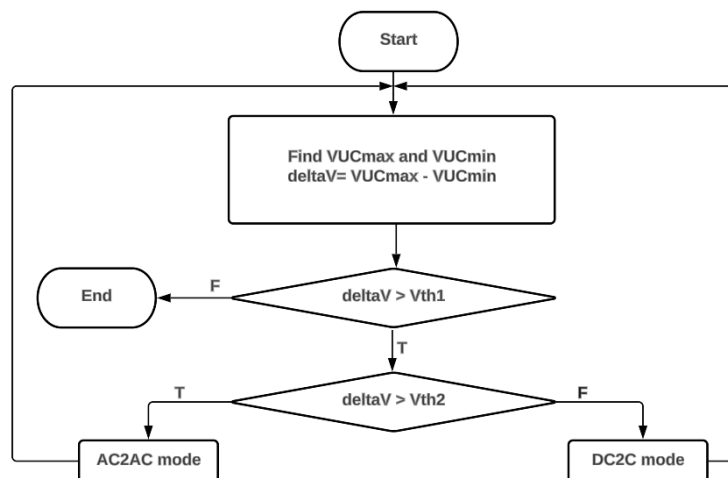


Figure 5. Flowchart of control strategy

In Figure 6, the maximum and minimum voltage are first determined, subtracted from each other and ΔV is found. Then, ΔV is compared with the V_{th2} value. When ΔV is greater than V_{th2} , the switch returns 1 and the frequency of AC2AC mode is passed to the Matlab function as a trigger and AC2AC mode is activated. When ΔV is less than V_{th2} , the switch returns 0 and the frequency of DC2C mode is passed to the Matlab function as a trigger and DC2C mode is activated.

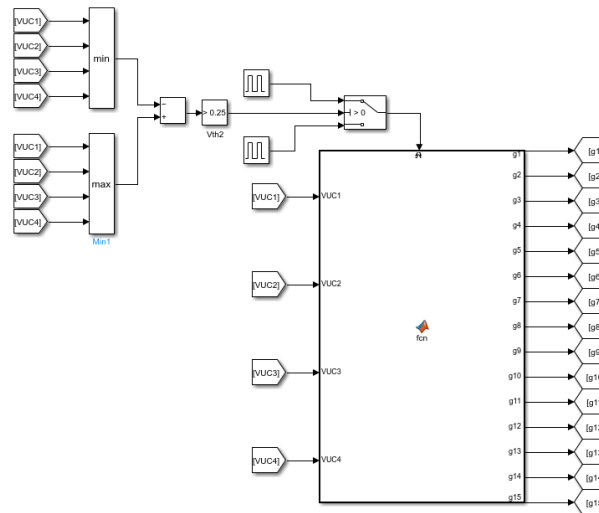


Figure 6. Matlab Control of Circuit

4. SIMULATION RESULTS

Fig. 7 shows that when AC2AC, the active cell balancing mode, is simulated alone, the cells are balanced in 1520 s.

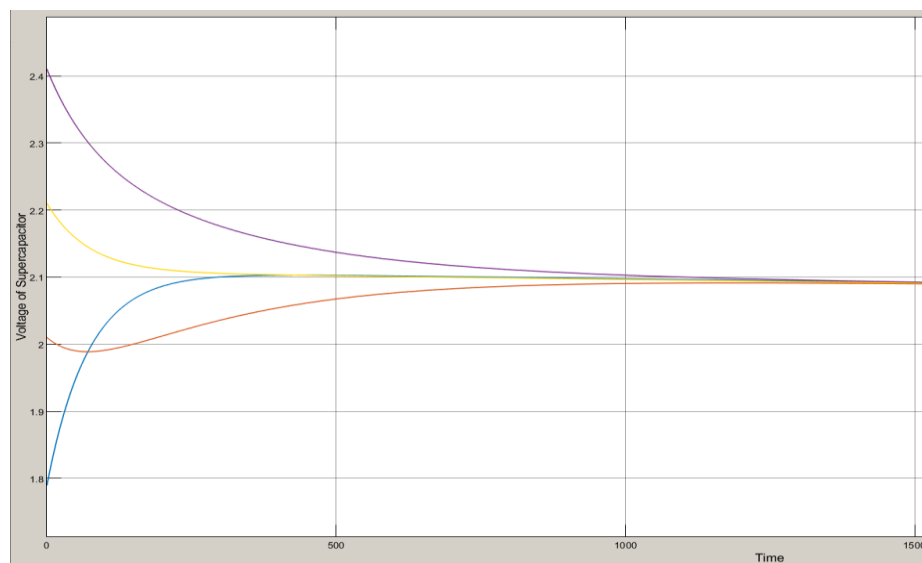


Figure 7. Simulation of AC2AC mode

Fig. 8 shows that when DC2C, the active cell balancing mode, is simulated alone, the cells are balanced in 1200 s. When comparing AC2AC with DC2C, experience has shown that DC2C alone is balanced faster.

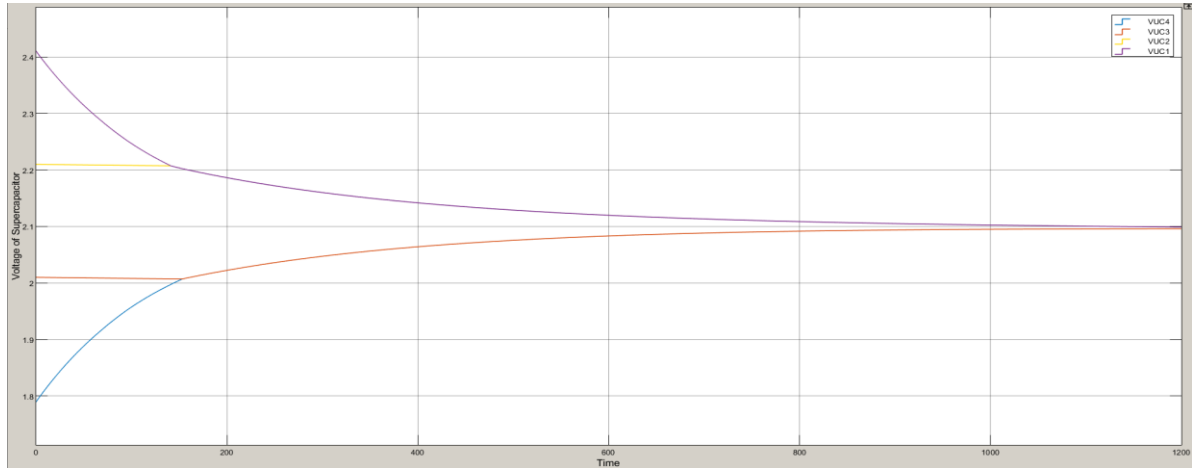


Figure 8. Simulation of DC2C mode

Fig. 9 shows that when threshold changes, balancing time changes. When threshold decreases, balancing time decreases and efficiency increases.

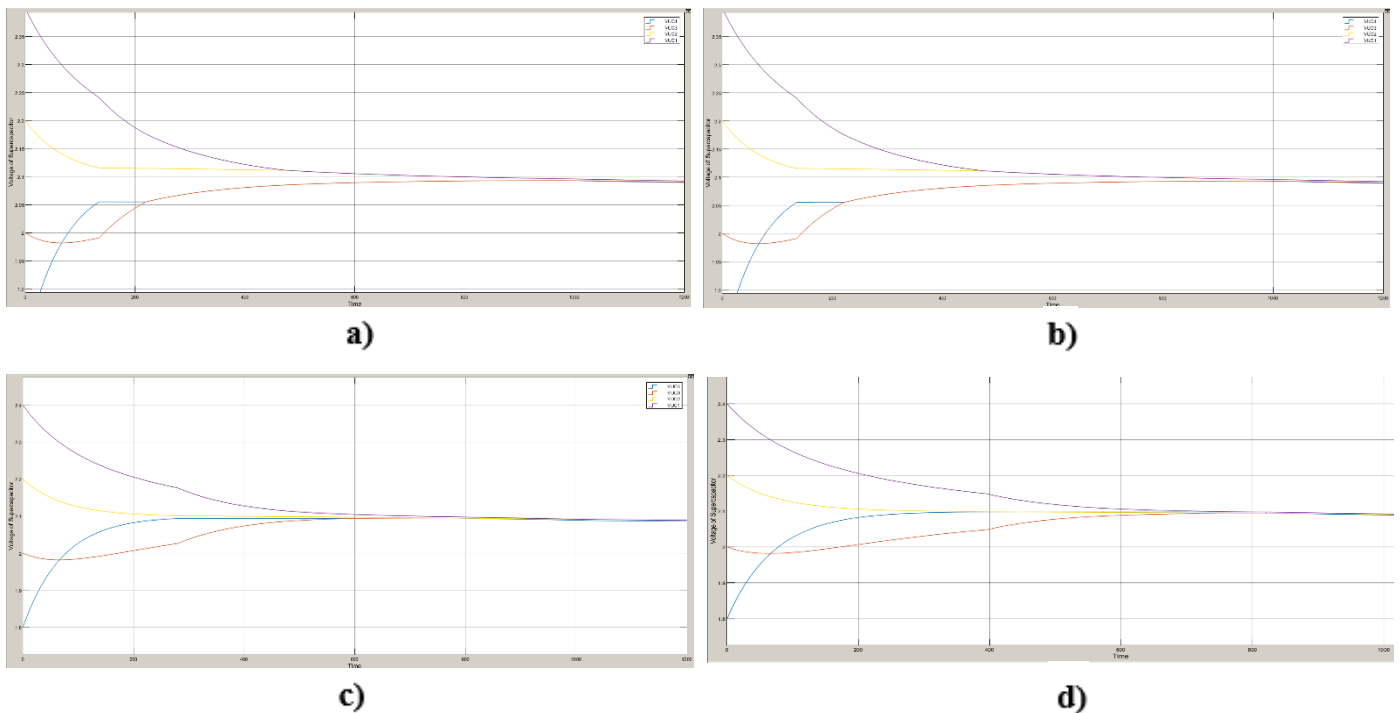


Figure 9. Two mode a) $V_{th2}= 0.25$ b) $V_{th2}= 0.2$ c) $V_{th2}= 0.15$ d) $V_{th2}= 0.1$

Table 1. Comparison of modes

Mode	Time	Energy Efficiency (%)
AC2AC	1520	81.98
DC2C	1200	84.87
Two Mode $V_{th2} = 0.25$	984	83.4
Two Mode $V_{th2} = 0.2$	853	83,8
Two Mode $V_{th2} = 0.15$	781	84.61
Two Mode $V_{th2} = 0.1$	720	85.61

In Table 1, by combining AC2AC and DC2C modes, the two-mode balancing circuit outperformed the single-mode balancing circuit in terms of balancing performance. In cases where the maximum voltage range between cells is large, the proposed balancing circuit with AC2AC mode provides faster balancing speed for cell strings, while in cases where the maximum voltage range between cells is small, the DC2C mode provides faster balancing speed and efficiency offers.

5. CONCLUSION

In this study, a two-mode active balancing circuit designed for series-connected cell strings has been implemented, utilizing capacitor-switched and three-resonant-state LC units. The circuit incorporates the simultaneous application of AC2AC and DC2C modes to achieve active cell balancing. According to the individual performance of AC2AC and DC2C, the combination of the two modes provided faster balancing and higher efficiency.

REFERENCES

- [1] Manjunath, K., Kalpana, R, Singh, B., & R, K. A Two-Stage Module Based Cell-to-Cell Active Balancing Circuit for Series Connected Lithium-Ion Battery Packs. *IEEE Transactions on Energy Conversion*, vol. 38, no. 4, 2021
- [2] Gallardo-lozano, J., Romero-cadaval, E., Milanés-montero, M. I., & Guerrero-martinez, M. A., Battery equalization active methods, *J. Power Sources*, vol. 246, pp. 934–949, 2014.
- [3] Raeber, M., Heinzlmann, A., & Abdeslam, D.O., Analysis of an Active Charge Balancing Method Based on a Single Nonisolated DC/DC Converter, *IEEE Transactions on Industrial Electronics*, vol. 68, no. 3, 2021
- [4] Imtiaz, A. M., & Khan, F. H., Khan Time shared fly-back converter” based regenerative cell balancing technique for series connected Li-ion battery strings, *IEEE Trans. Power Electron.*, vol. 28, no. 12, 2013
- [5] Lee, K.-M., Lee, S.-W., Choi, Y.-G., & Kang, B., Active balancing of Li-ion battery cells using transformer as energy carrier, *IEEE Trans. Ind. Electron.*, vol. 64, no. 2, 2017
- [6] Yang, X., Xi, L., Gao, Z., Li, Y., & Wen, J., Analysis and design of a voltage equalizer based on boost full-bridge inverter and symmetrical voltage multiplier for series-connected batteries, *IEEE Trans. Veh. Technol.*, vol. 69, no. 4, 2020

- [7] Shang, Y., Zhang Q., Cui, N., & Zhang, C., A cell-to-cell equalizer based on three-resonant-state switched-capacitor converters for series-connected battery strings, *Energies*, vol. 10, no. 206, pp. 1–15, 2017
- [8] Baronti, F., Fantechi, G., Roncella, R., & Saletti, R., High-efficiency digitally controlled charge equalizer for series-connected cells based on switching converter and super-capacitor, *IEEE Trans. Ind. Informat.*, vol. 9, no. 2, 2013
- [9] Shang, Y., Zhang Q., Cui, N., Zhou, Z., Duan, B., & Zhang, C., Multicell to multicell equalizers based on matrix and half-bridge LC converters for series-connected battery strings, *IEEE J. Emerg. Sel. Topics Power Electron.*, vol. 8, no. 2, 2020
- [10] Xu, G., Chen, E., Liu, F., Liu, Y., Xiong, W., & Su, M., Multicell-to-Multicell Equalizer with Hybrid Pulsewidth Modulation and Phase-Shift Modulation, *IEEE Transactions on Power Electronics*, vol. 39, no. 4, 2024
- [11] Zhou, G., Zhang, X., Gao, K., & Tian, Q., Two-Mode Active Balancing Circuit Based on Switched-Capacitor and Three-Resonant-State LC Units for Series-Connected Cell Strings, *IEEE Transactions on Industrial Electronics*, vol. 69, no. 5, 2022
- [12] Y. Chen, X. Liu, Y. Cui, J. Zou, and S. Yang, A multi winding transformer cell-to-cell active equalization method for lithium-ion batteries with reduced number of driving circuits, *IEEE Trans. Power Electron.*, vol. 31, no. 7, pp. 4916–4929, 2016
- [13] Y. Yu, R. Saasaa, A. A. Khan, and W. Eberle, “A series resonant energy storage cell voltage balancing system,” *IEEE J. Emerg. Sel. Topics Power Electron.*, vol. 8, no. 3, pp. 3151–3161, 2020
- [14] Yarlagadda, S., Hartley, T. T., & Husain, I., A battery management system using an active charge equalization technique based on a DC/DC converter topology, *IEEE Trans. Ind. Appl.*, vol. 49, no. 6, 2013
- [15] S. Li, C. C. Mi, and M. Zhang, A high-efficiency active battery-balancing circuit using multi-winding transformer, *IEEE Trans. Ind. Appl.*, vol. 49, no. 1, 2013
- [16] Y. Ye and K. W. E. Cheng, Modeling and analysis of series–parallel switched-capacitor voltage equalizer for battery/supercapacitor strings, *IEEE J. Emerg. Sel. Topics Power Electron.*, vol. 3, no. 4, 2015
- [17] M. Evzelman, M. M. Ur Rehman, K. Hathaway, R. Zane, D. Costinett, and D. Maksimovic, Active balancing system for electric vehicles with incorporated low-voltage bus, *IEEE Trans. Power Electron.*, vol. 31, no. 11, 2016

A GAN-FET BASED BI-DIRECTIONAL NON-INVERTING BUCK-BOOST CONVERTER

Hüseyin URAL

Ankara Yıldırım Beyazıt University, Department of Electrical and Electronics Engineering
Ankara, Türkiye

ORCID ID: 0009-0003-0724-8068

Ahmet KARAARSLAN

Ankara Yıldırım Beyazıt University, Department of Electrical and Electronics Engineering
Ankara, Türkiye

ORCID ID: 0000-0001-6475-4539

ABSTRACT

In this study, Bi-directional non-inverting Buck-Boost converter based on GaN-FET is designed using PI control method to increase the efficiency, to provide a significant reduction in circuit size and to build high power density. The GaN-FET's are widely used due to their high energy transfer capacity in a small foot-print. In power electronics, power density and efficiency are among the most important technology factors in inverter modules. Thanks to advances in switching technology, GaN-based semiconductor switching equipment is becoming more accessible. Due to the developments in this technology, switching can be done both more efficiently and at higher frequencies, and as a result, circuits can operate at higher powers in a smaller volume. In this paper, operation at a high switching frequency of 500 kHz, which is very difficult to achieve with standard semiconductors, was achieved with the non-inverting Buck/Boost converter topology. Due to its circuit topology, it can regulate the widest input voltage range with the least passive elements. The symmetrical nature of the circuit allows it to work in two directions, and by optimizing the controller, in case the output voltage increases, the energy is transferred to the input side, thus enabling high efficiency operation in both energy-consuming and energy-producing loads (Regenerative braking, etc.). Features such as high current and high voltage protection have been added to the control topology, ensuring safe operation in dynamic source, dynamic load, and wide input voltage ranges.

Keywords: GaN, High Power Density, Buck-Boost Converter, PI Control

GAN-FET TABANLI ÇİFT YÖNLÜ EVİRMEYEN BUCK-BOOST ÇEVİRİCİ

ÖZET

Bu çalışmada verimliliği artırmak, devre boyutunda önemli bir küçülme sağlamak ve yüksek güç yoğunluğuna sahip devreler oluşturmak amacıyla PI kontrol yöntemi kullanılarak GaN-FET tabanlı çift yönlü evirmeyen Buck-Boost dönüştürücü tasarlanmıştır. GaN-FET'ler, yüksek enerji aktarabilmelerine rağmen az yer kaplamaktadır bu da oldukça yaygın kullanılmalarına olanak sağlamaktadır. Güç elektroniğinde, invertör modüllerinde güç yoğunluğu ve verimlilik en önemli teknoloji faktörleri arasında yer almaktadır. Anahtarlama teknolojisindeki gelişmeler sayesinde GaN tabanlı yarı iletken anahtarlama ekipmanları daha erişilebilir hale gelmektedir. Bu teknolojiye gelişmeler sayesinde anahtarlama hem daha verimli hem de daha yüksek frekanslarda yapılabilen ve bunun sonucunda devreler daha küçük hacimde daha yüksek güçlerde çalışabilmektedir. Bu yazıda, standart yarı iletkenlerle elde edilmesi çok zor olan 500 kHz'lik yüksek anahtarlama frekansında çalışma, GAN-FET'ler sayesinde, evirmeyen Buck/Boost dönüştürücü topolojisi ile başarılmıştır. Devre topolojisi sayesinde en az pasif elemanla en geniş giriş voltaj aralığı regüle edilebilmektedir. Devrenin simetrik yapısı iki yönlü çalışmasına imkân sağlar ve kontrolcü optimize edilerek çıkış voltajının artması durumunda enerji giriş tarafına aktarılır, böylece hem enerji tüketen hem de enerji üreten yük (Rejeneratif frenleme vb.) durumlarında yüksek verimli çalışma sağlanır. Kontrol topolojisine yüksek akım ve yüksek gerilim koruması gibi özellikler eklenerek dinamik kaynak, dinamik yük ve geniş giriş gerilim aralıklarında güvenli çalışma sağlanabilmektedir.

Anahtar Kelimeler: GaN, Yüksek Güç Yoğunluğu, Buck/Boost Çevirici, PI kontrol

1. INTRODUCTION

In recent years, the quest for more efficient and compact power electronic systems has driven the development of advanced semiconductor materials and topologies for DC-DC converters. Among these innovations, Gallium Nitride (GaN) technology has emerged as a transformative force, revolutionizing the field of power electronics. GaN's unique material properties, such as high electron mobility and breakdown voltage, make it an ideal candidate for high frequency and high-efficiency power conversion applications (S. Colino and R. A. Beach, 2009).

One of the notable applications of GaN technology is in the realm of DC-DC converters, particularly in non-inverting buck-boost converters. These converters play a pivotal role in a wide range of electronic devices and systems, offering voltage regulation and power conversion capabilities across a broad input voltage range (A. Shoihet and M. A. Slonim, 2012, P. Midya,

K. Haddad, and M. Miller, 2012, C.-H. Tsai and Y.-S. Tsai, 2004). The incorporation of GaN devices into non-inverting buck-boost converters has opened new horizons for power electronics engineers, enabling the design of more efficient, compact, and versatile systems.

The importance of small-sized DC-DC converters in today's technological landscape cannot be overstated. These compact devices serve as the critical backbone for the miniaturization and portability of a vast array of electronic gadgets, from smartphones and laptops to wearable health monitors and IoT sensors (M. S. Agamy, S. Chi, A. Elasser, M. Harfman-Todorovic, Y. Jiang, F. Mueller, F. Tao, 2013). Their ability to efficiently convert and regulate voltage levels within confined spaces empowers the design of sleek, lightweight, and energy-efficient devices. (A. Prodic and D. Maksimovic, 2002, L. Feng and M. Dongsheng, 2010, F. Zhang L. Du, Z. Quian, 2008)

The significance of the non-inverting buck-boost converter lies not only in its capability to efficiently convert input voltages within a broad range but also in its adaptability to handle dynamic input sources and varying output loads (R.-J. Wai and L.C. Shih, 2011, Z.Ortatepe And A.Karaarslan, 2018, A.Shaibu And A.Karaarslan, 2022). This adaptability makes it a preferred choice in applications where power sources may be intermittent, such as renewable energy systems, or where the load demands fluctuate, as in battery management systems. Moreover, it plays a pivotal role in modern portable electronic devices, ensuring stable power delivery across varying battery voltages (A. Shaibu And A. Karaarslan, 2022). In this study, it is aimed to design a DC/DC converter that can operate bidirectionally in a small volume in a wide input voltage range and wide output voltage range.

2. RESEARCH AND RESULTS

2.1. Purposed Topology

The non-inverting buck-boost converter is simply a combination of a buck converter and boost converter. As Shown in Figure 2.1. there are two parts, the buck section of the topology, decreases the input voltage. The boost part of the circuit increases the voltage which is generated from the buck side and transfers it to the output.

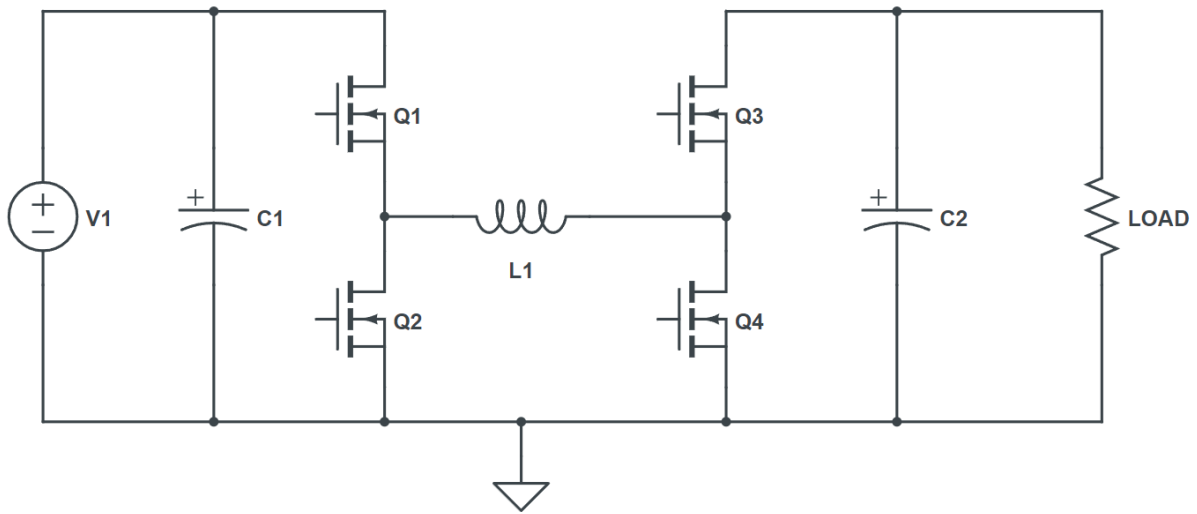


Figure 2.1. Purposed Topology

To increase efficiency of the device Q2 and Q3 components (see Figure. 2.1). selected as switching devices instead of diodes.

2.2. Buck Mode

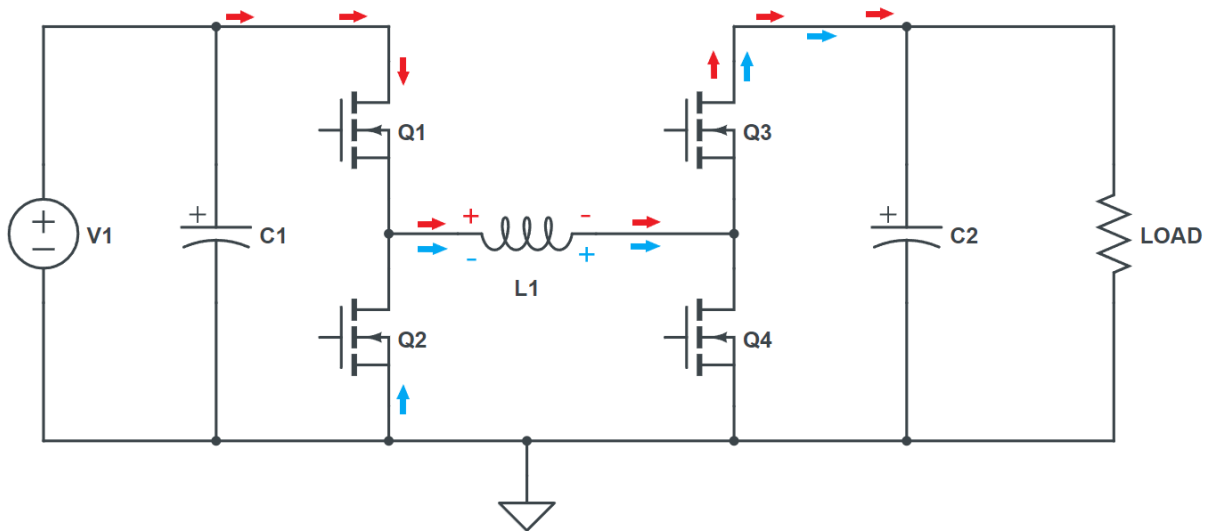


Figure 2.2. Buck Mode Operation

The buck mode of the circuit consists of 2 stages: coil charging stage and discharge stage.

Stage 1: The current starts with turning on the Q1&Q3 and turning off Q2&Q4 switches. The red arrows show the current flowing during first stage. In this stage the coil L1 charges. The voltage drops L1 and the output voltage are explained by the following equations.

$$V_{L1} = L_1 * \frac{di}{dt}$$

$$V_{OUT} = V_{IN} - V_{L1}$$

Stage 2: During stage 2 the Q2&Q3 switch turns on and Q1&Q4 switches turns off. The Charged coil L1 in previous stage, will changes the polarity and supply the re-quired output voltage. During this stage output power supplied by C2 and L1 components. The blue arrows show the current flow path during Stage 2. The voltage supplied by L1 and output voltage is explained by the following equations.

$$V_{L1} = V_{OUT}$$

$$V_{L1} = L * \frac{di}{per(1 - D)}$$

$$di = V_{OUT} \frac{per(1 - D)}{L}$$

$$V_{L1} = V_{OUT} \frac{1 - D}{D}$$

$$V_{OUT} = V_{IN} * D$$

During Buck operation Q4 switch remains turned off and Q3 switch turned on, the main reason Q3 turned on is to be getting rid of Q3's body diode forward voltage and increase the efficiency of the circuit.

2.3. Boost Mode

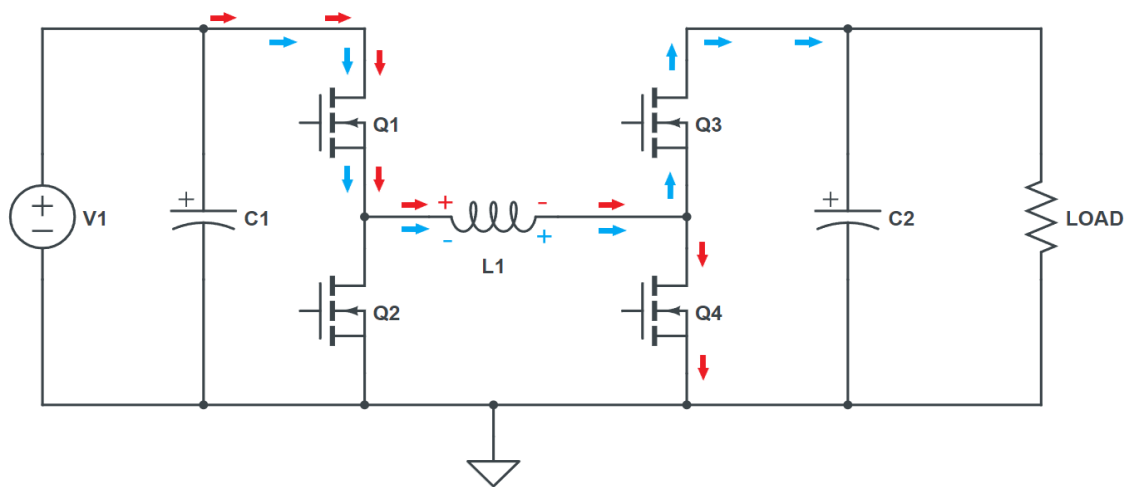


Figure 2.3. Boost Mode Operation

The boost mode of the circuit consists of 2 stages: coil charging stage and discharge stage.

Stage 1: During stage 1 the Q1&Q4 switch turns on and Q2&Q3 switches turns off. In this stage the coil L1 charges. The red arrows show the current flowing during the first stage. The voltage on L1 and the output voltage are explained by the following equations.

$$V_{L1} = L_1 \frac{di}{dt}$$

$$V_{L1} = V_{IN}$$

$$di = \frac{V_{IN} * per * D}{L_1}$$

Stage 2: During stage 2 the Q1&Q3 switch turns on and Q2&Q4 switches turns off. The Charged coil L1 in previous stage, will change the polarity and connected series with input voltage, by addition the input voltage and L1 coil voltage, the circuit supplies required output voltage. During this stage output power is supplied by C2 and L1 components. The blue arrows show the current flow path during Stage 2. The voltage supplied by L1, and output voltage is explained by the following equations.

$$V_{OUT} = V_{IN} + V_{L1}$$

$$V_{OUT} = \frac{V_{IN}}{1 - D}$$

2.4. Calculation Passive Components

According to technological developments in semiconductor technologies the switching frequencies of switching components increased. In this paper the switching frequency is selected as 500khz. Increasing the switching frequency allows the passive elements to shrink in size. By using this benefit, we can design higher power density and more compact modules.

L1 selected for %10 ripple current(4A) for maximum output current (40A), Maxi-mum output voltage 40V and minimum input voltage 10V.

for 10V input and 40V output;

$$40 = \frac{10}{1 - D} \Rightarrow D = 0.75$$

$$4 = 40 \frac{1}{500 * 10^3 (1 - 0.75)} \Rightarrow L = 5uH$$

The closest commonly used value for inductor is 4.7 uH so 4.7 uH coil selected for simulation.

C1 Selected for %2 voltage ripple or less

$$dV = \frac{dt * I_{OUT}}{C_1}$$

$$C_1 = \frac{per * D * I_{out}}{dV}$$

$$C_1 = \frac{1}{\frac{500 * 10^3 * 0.25 * 40}{0.8}} \Rightarrow C = 25\mu F$$

The closest commonly used value for inductor is 22 uF so 22 uF capacitor selected for simulation.

2.5. Control Method

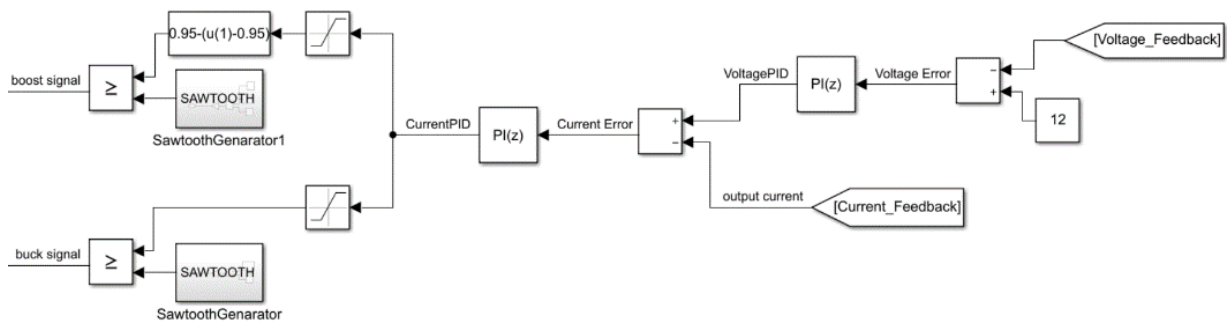


Figure 2.4. Control Diagram

PI controlling method adopted to regulating output voltage and limiting the output current.

The PI controller uses an error input and gives a duty output in this paper. The error is multiplied with a proportional constant (Kp) and integrated with a constant (Ki). The output is the sum of multiplication and integration.

The controller's output is saturated between %0 to %170, it gives us the ability of using only one controller for both buck and boost mode. The output of the controller is directly connected to the duty input of the buck converter. The input of the buck converter is saturated after 95% duty, and the boost converter's input is also saturated while the output of the PI controller is less than %95. After the PI controller's output, above %95, the circuit start to decrease duty of the boost converter side, by this way the output current can be regulated.

2.6. Bidirectional Working

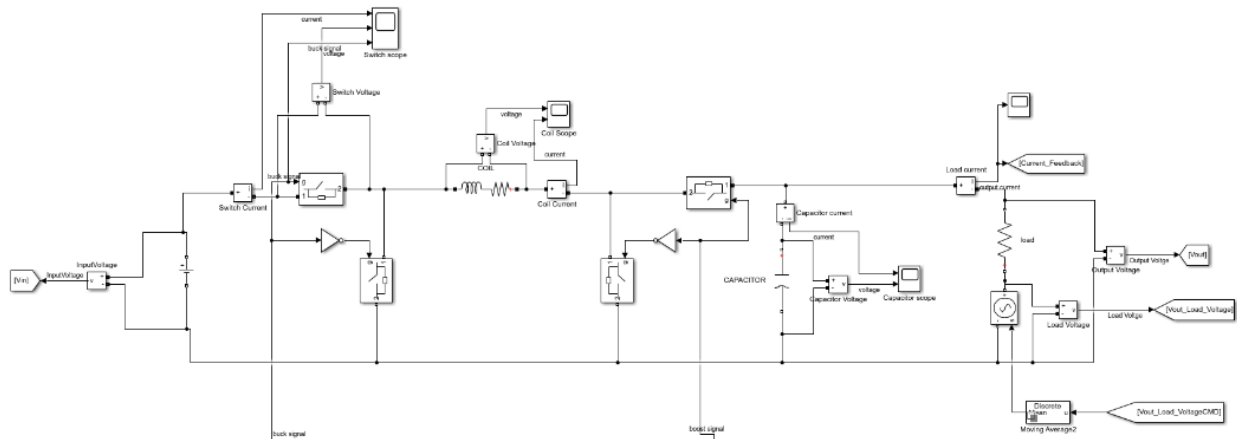


Figure 2.5. Bidirectional Working Simulation

A bidirectional DC-DC converter is a power electronic device that facilitates the seamless transfer of electrical energy between two DC voltage sources bidirectionally. This converter operates in both step-up (boost) and step-down (buck) modes, allowing it to efficiently regulate voltage levels in both directions. The bidirectional functionality is particularly useful in applications such as energy storage systems, electric vehicles, and renewable energy systems where energy needs to be efficiently transferred between different voltage levels. In the step-up mode, the converter boosts the voltage from a lower input level to a higher output level, while in the step-down mode, it reduces a higher input voltage to a lower output voltage. There is a voltage command which PI controller referenced voltage value to determine output voltage regardless from input voltage. In this paper bidirectional working performed by relation between commanded voltage and load voltage, if load voltage lower than commanded voltage, the energy flows from input to output. If the load voltage becomes greater than commanded voltage the energy flows from output to input.

In this simulation shown in Figure 2.5, we can see a voltage source at input, then a non-inverting buck boots topology as explained before, and a load. Load contains two component a resistor and an adjustable voltage source. Adjustable voltage source represents dynamic load that both consumes energy and produces energy. We can give electric car example to define dynamic load. When car accelerates the load consumes energy from batteries, when car brakes the load produces energy and charges batteries the resistor represents system impedance.

2.7. Simulation Results

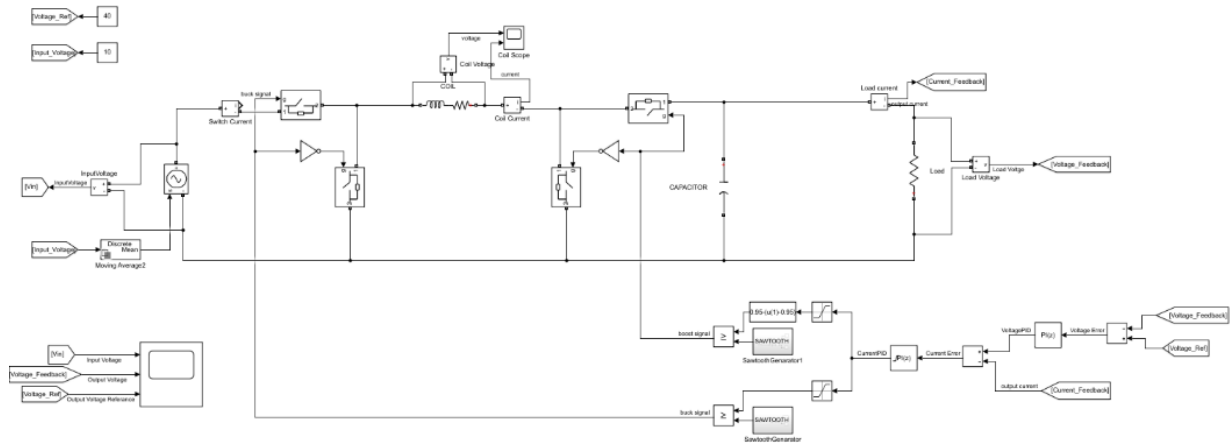


Figure 2.6. Simulation Circuit

Simulation circuit shown in Figure 2.6. the control block places underneath of the power components. PWM signals generated for high side switches, then the signal inverted for low side switches.

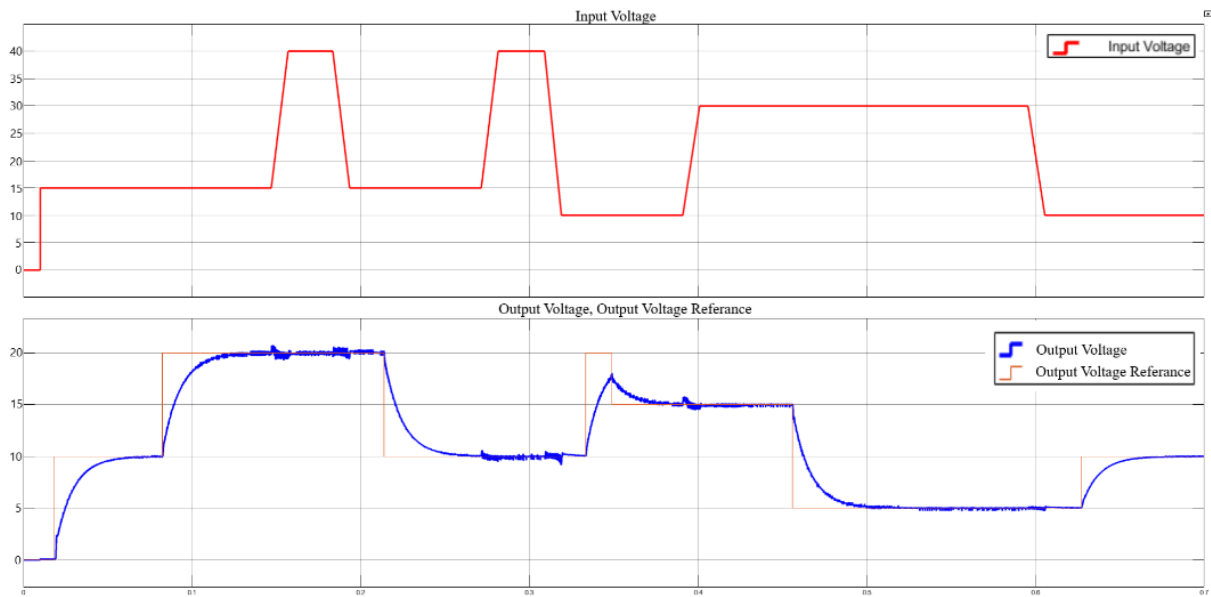


Figure 2.7. Dynamic Response of Circuit

The inputs of the simulation are input voltage and output voltage reference, the output of the simulation is the Output voltage. The simulation results shown in Figure 2.7. shows the relation between, the change in input voltage and output voltage regulation. The applied input signal's rise time is shorter than 10ms, it means the rate of change of the input voltage reaches 2000 V/s the circuit can handle these rapid changes under %10 ripple at output. And, when output voltage reference is changed the actual output voltage follows. The results show also, switching buck

mode to boost mode or vice versa is occurred very smoothly and doesn't cause any ripple at the output.

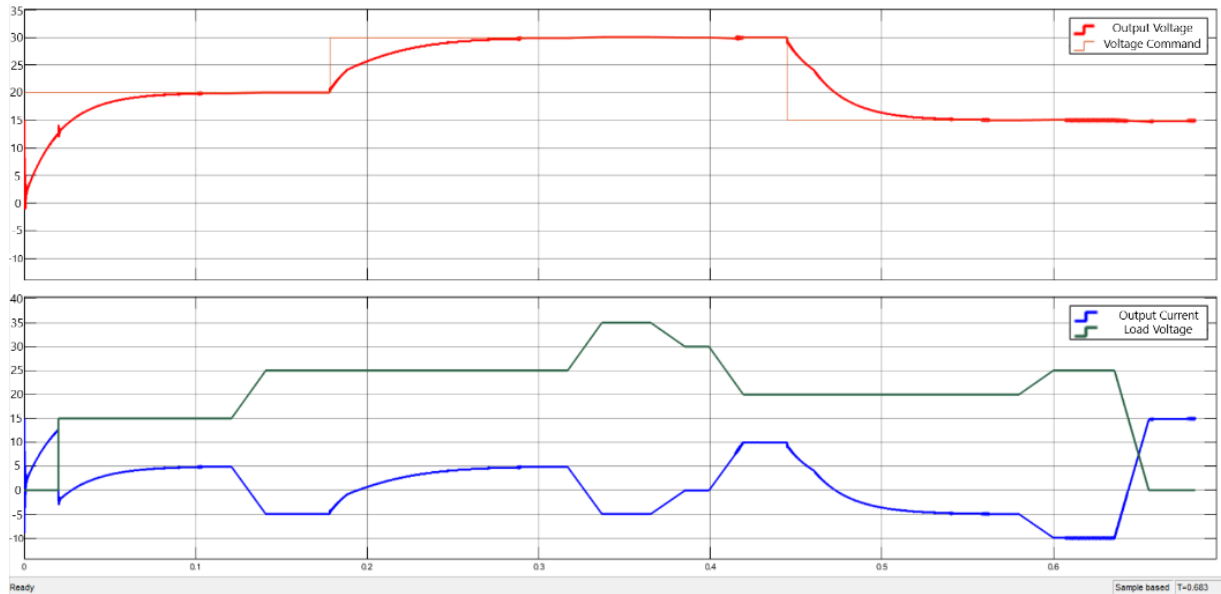


Figure 2.8. Dynamic Response of Circuit

As shown in Figure 2.8. The direction of the output current defined from output voltage and Load voltage, if load voltage bigger than output voltage, the current goes negative, that means current flows from load to input. But if output voltage is bigger than load voltage the output current goes positive that means the current flows from input to output. By this way bidirectional working is proved. The results show that bidirectional operation is achieved in both buck mode and boost mode, without being affected by the input voltage and without causing any ripple at the output. The load is modified to perform bidirectional working, and the simulation circuit is shown in Figure 2.5.

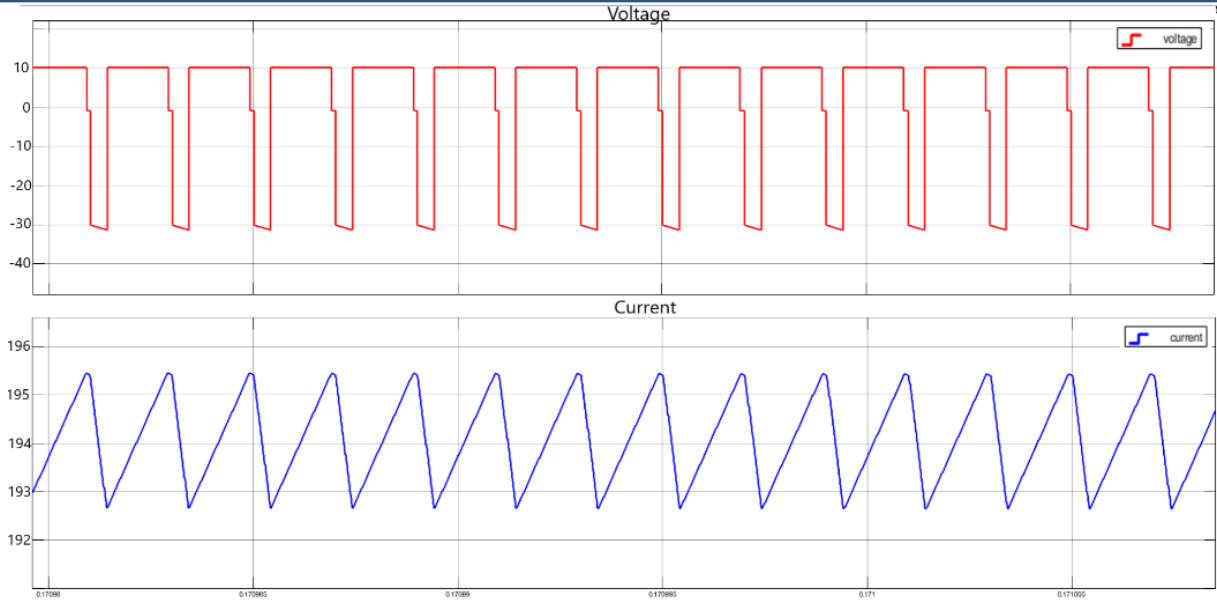


Figure 2.9. Coil Ripple Results

For practical applications the higher current ripples are main reason of electrical noises. In this research the simulation and theoretical calculations shows that the ripple currents of the coil stay under 4A. By this way the expectation for practical application EMI issues will be reduced

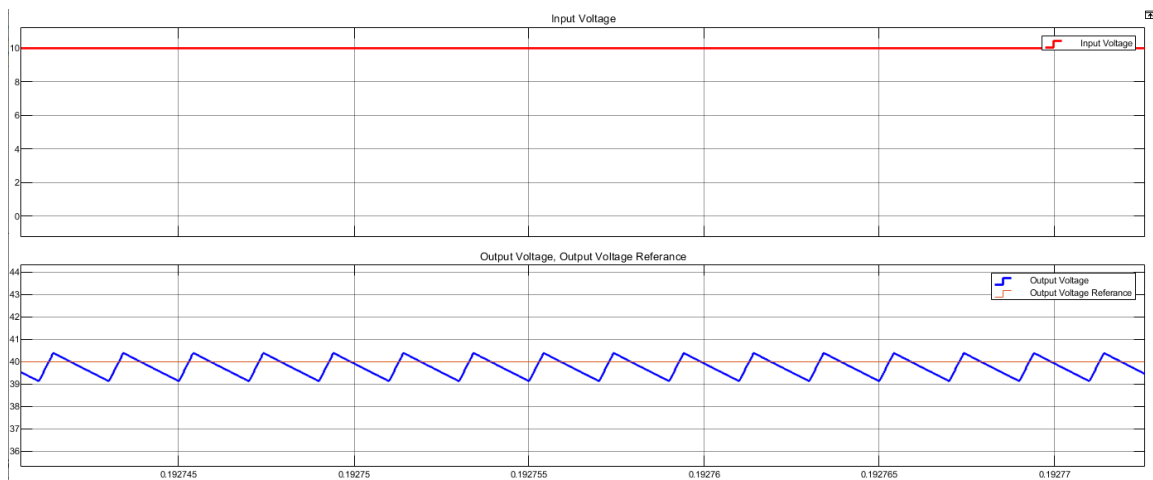


Figure 2.10. Output Voltage Ripple

Output voltage ripple shown in Figure 2.10. shows that the ripple voltage stays under 1 V for 40V output it means %2.5 output ripple. The ripple can be reduced by adding output filter for higher accuracy applications.

The simulation results clearly show that, circuit can regulate output voltage in various range of input voltage and, the circuit can operate in various range of output voltage. And, for boost

operation the voltage ripples are increased because of nonlinearity of the system (R. Paul and D. Maksimovic, 2008).

Table 2.1. Results

	From Input To Output		From Output To Input	
	Buck	Boost	Buck	Boost
Power	300	300	300	300
Efficiency	%97.9	%98.3	%97.5	%98.2
Working frequency	500kHz	500kHz	500kHz	500kHz
Inductance	4.7uH	4.7uH	4.7uH	4.7uH
Output capacitance	22uF	22uF	22uF	22uF
Output Ripple	%1	%2.5	%1.2	%3

3. CONCLUSION

Non-inverting buck-boost converter is a versatile and efficient DC-DC converter that plays a crucial role in a wide range of applications. Its ability to step up or step down the input voltage while maintaining the same polarity at the output makes it a valuable tool in electronics and power management. Here are some key takeaways:

Versatility: The non-inverting buck-boost converter can provide a regulated output voltage, whether it needs to be higher or lower than the input voltage. This versatility allows it to adapt to various power supply requirements.

Efficiency: These converters are known for their high efficiency, which minimizes power losses and extends the battery life in portable devices. By efficiently regulating the voltage, they contribute to energy conservation.

Compact Size: Small-sized non-inverting buck-boost converters are ideal for applications where space is limited. Their compact design makes them suitable for integration into compact electronics, IoT devices, and other space-constrained environments.

Stability: They offer stable and continuous output voltage, ensuring consistent power delivery to sensitive electronic components. This stability is crucial for the reliable operation of many electronic devices.

In summary, the non-inverting buck-boost converter's compactness, efficiency, and versatility make it an essential component in modern electronics, enabling efficient power management and enhancing the performance and reliability of a wide range of electronic devices and systems. Its continued development and application hold promise for further advancements in the field of power electronics.

REFERENCES

- S. Colino and R. A. Beach, "Fundamentals of Gallium Nitride Power Transistors," Efficient Power Conversion, <epc-co.com>, 2009.
- A. Shoihet and M. A. Slonim, "Analysis of transient processes of buck-boost converter: Theoretical analysis, physical experiments, modeling and simulation," in Proc. IEEE Industrial Electron. Conf, pp. 5365-5369, Oct. 2012.
- P. Midya, K. Haddad, and M. Miller, "Buck or boost tracking power converter," IEEE Power Electron. Lett., vol. 2, no. 4 pp. 131-134, Dec. 2004.
- C.-H. Tsai and Y.-S. Tsai "A Stable Mode-Transition Technique for a Digitally Controlled Non-Inverting Buck-Boost DC-DC Converter" IEEE Trans. Ind. Electron., vol. 62, no. 1 pp. 475 – 483, May. 2014
- M. S. Agamy, S. Chi, A. Elasser, M. Harfman-Todorovic, Y. Jiang, F. Mueller, F. Tao "A High-Power-Density DC–DC Converter for Distributed PV Architectures" IEEE Journal of Photovoltaics, vol. 3 no. 2 pp. 791 - 798 Apr. 2013
- A. Prodic and D. Maksimovic, "Design of a digital PID regulator based on look-up tables for control of high-frequency DC-DC converters," in Proc. IEEE Workshop on Comp. in Power Electron., pp. 18-22 Jun. 2002
- L. Feng and M. Dongsheng, "Design of digital tri-mode adaptive output buck-boost power converter for power-efficient integrated systems," IEEE Trans. Ind. Electron., vol. 57, no. 6 pp. 2151-2160, Jun. 2010
- F. Zhang L. Du, Z. Quian, "A New Design Method for High-Power High-Efficiency Switched-Capacitor DC–DC Converters" IEEE Trans. Power Electron., vol. 23, no. 2 pp. 832-840, Mar. 2008
- R.-J. Wai and L.-C. Shih, "Design of voltage tracking control for DC-DC boost converter via total sliding-mode technique," IEEE Trans. Ind. Electron., vol. 58, no. 6 pp. 2502-2511, Jun. 2011.
- Z. Ortatepe And A. Karaarslan, "The performance analysis of AC-DC bridgeless converter using fuzzy self-tuning and comparing with PI control method," Journal of Intelligent and Fuzzy Systems, vol. 35, no. 4, pp. 4629-4642, Sep. 2018
- A. Shaibu And A. Karaarslan, "Performance Analysis and Comparison of Non-Inverting Buck-Boost Converter Using PI, OCC, and Hybrid OCC-PI Control" Journal of Electrical Technology UMY (JET-UMY), vol. 6, no. 2, pp. 57-66, Dec. 2022
- A. Shaibu And A. Karaarslan, "Current Mode Control of Non-Isolated Multi-Phase Inter-leaved Buck-Boost Converter for Military Battery Charging Application.," Journal on Advanced Research in Electrical Engineering, vol. 6, no. 2, pp. 97-104, Oct. 2022
- R. Paul and D. Maksimovic, "Analysis of PWM nonlinearity in non-inverting buck-boost power converters" in Proc. IEEE Power Electron. Spec. Conf., pp. 3741-3747, Jun. 2008
[https://doi.org/10.1016/S0926-860X\(99\)00156-8](https://doi.org/10.1016/S0926-860X(99)00156-8)

DETERMINATION OF THERMAL PERFORMANCE OF PV/T EVAPORATOR BY NUMERICAL ANALYSIS AND RESPONSE SURFACE METHODOLOGY OPTIMIZATION

Rıdvan YAKUT

Kafkas University, Collage of Engineering and Architecture, Department of Mechanical Engineering,
Kars 36100, Turkey

ORCID ID: 0000-0002-4145-7280

ABSTRACT

Increasing energy demand due to the increasing world population causes large amounts of fossil fuel consumption and serious environmental damage. Fossil fuels and nuclear energy sources have limited supply, and since the greenhouse gases they cause global warming and climate change, the use of environmentally friendly and unlimited energy sources has become a necessity. The most preferred method among renewable energy sources is energy production with solar energy. The efficiency of solar energy production is directly related to the efficiency of photovoltaic (PV) cells. The decrease in efficiency as the cell temperature increases in PV systems has led to the emergence of photovoltaic-heat pump (PV-T) systems, which enable the simultaneous production of electrical and thermal energy. Increasing the surface temperature of PV-T integrated systems causes the system efficiency to decrease. In the study, the design parameters of the evaporator for the PV-T system optimized with response surface methodology (RSM) were analyzed numerically. In the study, 3 numbers of fins (3, 4, 5), 3 channel heights (15 mm, 20 mm, and 25 mm), and 3 inlet and outlet locations (straight flow, counter flow, and cross flow) were used as design variables to determine the thermal performance. As a result of the analysis, the highest cooling was obtained as 303 K for the straight flow, 4-fin evaporator with a 25 mm channel height, while the lowest cooling was 326 K for the cross-flow, 3-fin evaporator with a 20 mm channel height. As a result of the optimization process, it was determined that the model that would provide the highest cooling was the straight inlet flow model with 3 fins and 25 mm channel height.

Keywords: Renewable energy, PV-T system, thermal performance, optimization, RSM.

1. INTRODUCTION

World population and energy consumption have increased by more than 10% in the last 10 years. Due to the increasing need for energy, humankind has turned from limited energy sources such as fossil and nuclear energy to unlimited energy sources such as renewable energy. The most preferred method among renewable energy sources is energy production with solar energy. According to International Renewable Energy Agency data, photovoltaic (PV) systems

constitute 98.7% of the electrical energy produced from solar sources (Setting 2015). Therefore, the efficiency of solar energy production is directly related to the efficiency of PV cells. PV systems convert the energy from the sun directly into energy and provide clean, environmentally friendly, economical and unlimited energy production. However, cells made of different materials turn into electrical energy by emitting radiation at different wavelengths depending on the properties of the material they are produced from (Kandilli, Külahlı et al.). Solar radiation requires energy in the range of 0 to 1.12 eV to produce voltage by removing electrons from the photovoltaic cell (Masters 2004). Figure 1 shows the variation of the energy required to remove photons and electrons with wavelength. If the energy of the photon is above this range, it will be stored as heat in the system and will cause the system efficiency to decrease (Cuce and Riffat 2017, Ömeroğlu 2018).

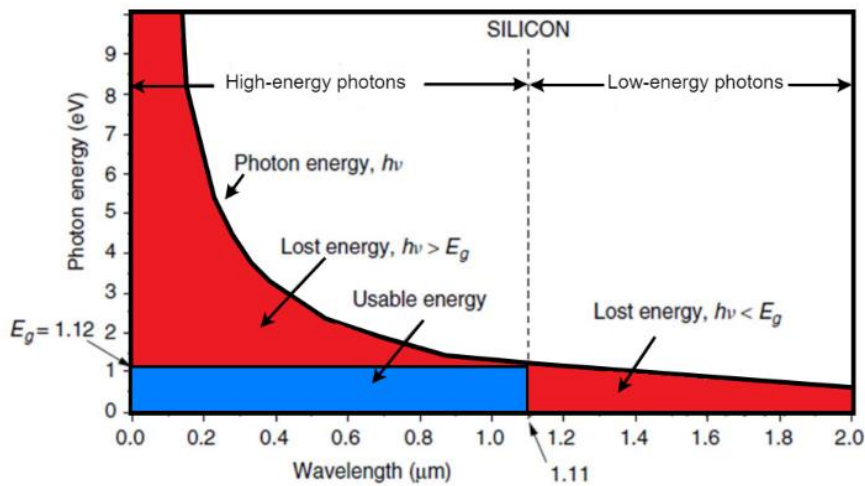


Figure 1. Wavelength and bandgap energy (Masters 2004).

The decrease in efficiency as the cell temperature increases in PV systems has led to the emergence of PV-T systems, which enable the simultaneous production of electrical and thermal energy. PV-T systems are designed to convert solar energy more efficiently, producing both heat and electricity simultaneously. In PV-T systems, electrical energy is obtained from the PV panel. Heating liquid is passed through the evaporator mounted on the photovoltaic panel to increase electrical efficiency and obtain thermal energy by reducing the increasing photovoltaic cell temperature. In the numerical study carried out, an attempt was made to increase the efficiency of the evaporators used in the PV-T system. Response Surface Methodology (RSM) was used as the optimization method in the study.

2. Materials and Methods

2.1. Numerical Modeling

The thermal characteristics of the evaporator designed in the study were determined with the ANSYS Fluent program. Mesh independence analysis of the model was performed and the optimum number of mesh was determined to be approximately 1,000,000. In the analyses, the k- ϵ reliable turbulence model, which gives good results in the impact region, was preferred as the turbulence model and the analyzes were carried out with 500 iterations.

2.2. Optimization

When modeling multi-response problems, a function must be defined between the effective parameters and the response variable (Türkşen and Apaydın 2012). Since the true response is unknown, an appropriate model must be found between the independent variables and the response. For this reason, the variable parameters used in the study were optimized with RSM, aiming to make the best use of existing resources. The process parameters and operating levels for the optimization process performed are presented below.

Table 1. Process parameters and operating levels.

Parameters	Factor	Levels		
		-1	0	1
Number of fins	A	3	4	5
Channel height	B	15	20	25
Inlet-outlet location	C	Straight	Counter	Cross

3. Results

3.1. Numerical Analysis Results

Numerical models were created and analyzed for 15 conditions determined by the optimization process, and the temperature distributions on the evaporator were determined. Temperature distributions of 20 mm channel height analyzes at different inlet and outlet locations are presented below.

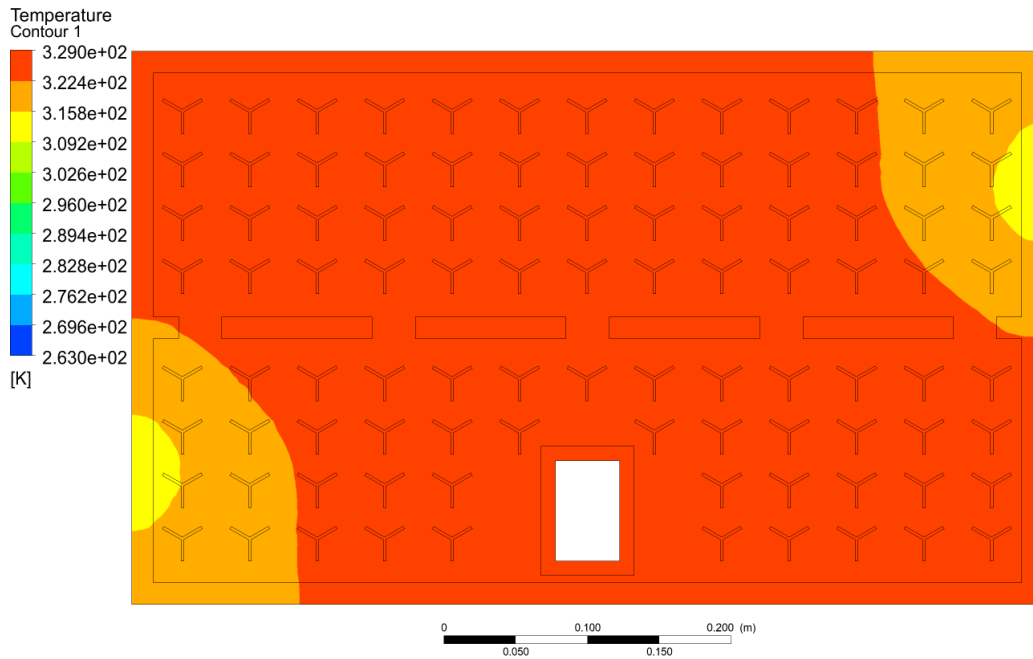


Figure 2. Temperature distribution of 3-fin evaporator with cross-flow channel height of 20 mm
 It is frequently preferred in cross-flow heat transfer applications. In the analyzes carried out, it was determined that the temperature drop was limited only to the entrance areas of the fluid, since the flow rate was very low.

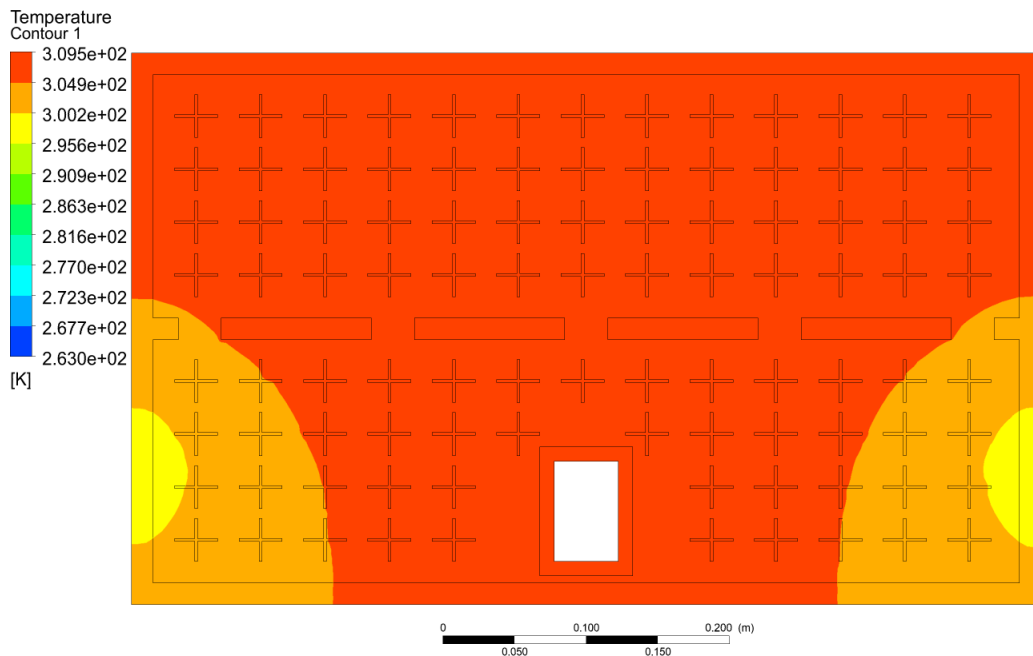


Figure 3. Temperature distribution of 4-fin evaporator with counter-flow channel height of 20 mm

In the analyzes carried out for cross-entry flow, it was observed that the temperature distributions obtained were limited to the entrance region, similar to the cross-entry flow. In the analysis, it was also determined that highest surface temperatures were obtained with the 4-fin counter inlet condition compared to the 3-fin cross inlet condition.

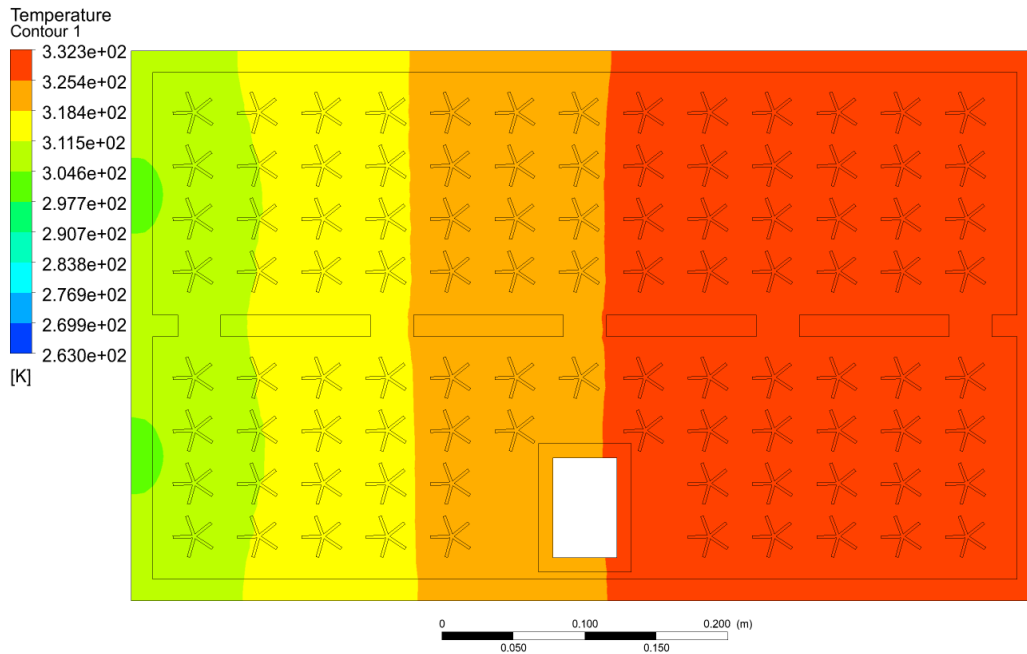


Figure 4. Temperature distribution of 5-fin evaporator with straight-flow and channel height of 20 mm

In the study, it was observed that the temperature distribution of the evaporator in 5-fin straight inlet conditions was better than other inlet conditions. Although the best temperature distribution was achieved under the current condition, it was observed that the highest temperature reached by the evaporator was higher than other conditions.

3.2. Optimization Results

As a result of the optimization process, the highest cooling rate was 303 K for the straight-flow, 4-fin evaporator with 25 mm channel height, while the lowest cooling rate was 326 K for the cross-flow, 3-fin evaporator with 20 mm channel height. It has been determined that the model that will provide the highest cooling is the straight inlet flow model with 3 fins and 25 mm channel height. The outputs of the optimization study performed are presented below.

Table 2. Numerical optimization and results obtained with the RSM

Inlet-outlet location	Channel height	Number of fins	Temperature (K)
Cross	20	3	326
Counter	20	4	306
Straight	25	4	303
Counter	25	3	304
Straight	15	4	307
Counter	15	5	307
Straight	20	5	323
Counter	20	4	306
Cross	20	5	308
Counter	25	5	304
Cross	25	4	304
Counter	15	3	307
Straight	20	3	305
Cross	15	4	310
Counter	20	4	306

In ANOVA, which is used to compare the means of more than two groups and to determine whether there is a statistically significant difference between them, a P value of less than 0.05 indicates that the model is highly significant. Table 3, where the results of the variance analysis are shown, shows that the R² value has a total variation of 99.61% of the temperature according to the independent variables and a deviation of only about 0.39 percent. The fact that the percentage of total variation (R), which is the multiple correlation coefficient, is close to 1 gives information about the accuracy of the relationship between the analysis and predicted values. The R² value (0.9961) obtained as a result of the analysis shows that there is a good correlation between the numerical and predicted values of the response. Using multiple regression analysis methods in Table 2, the estimated response for temperature can be obtained, and according to the analysis of the variance results in Table 3, the relationship between the inlet and outlet location (IOL), channel height (CH), number of fins (NOF) parameters for temperature can be given by Equation 1.

$$T = 247,5 + 19,25 IOL + 7,8 CH + 5 IOL^2 - 0,2 CH^2 + 4,5 NOF^2 - 9 IOL \times NOF \quad (1)$$

Table 3. Variance analysis results

Source	DF	Adj SS	Adj MS	F-Value	P-Value
Model	9	645,100	71,678	143,36	0,000
Linear	3	44,500	14,833	29,67	0,001
IOL	1	12,500	12,500	25,00	0,004
CH	1	32,000	32,000	64,00	0,000
NOF	1	0,000	0,000	0,00	1,000
Square	3	275,600	91,867	183,73	0,000
IOL ²	1	92,308	92,308	184,62	0,000
CH ²	1	92,308	92,308	184,62	0,000
NOF ²	1	74,769	74,769	149,54	0,000
2-Way Interaction	3	325,000	108,333	216,67	0,000
IOL×CH	1	1,000	1,000	2,00	0,216
IOL×NOF	1	324,000	324,000	648,00	0,000
CH×NOF	1	0,000	0,000	0,00	1,000
Error	5	2,500	0,500		
Lack of fit	3	2,500	0,833	*	*
Pure error	2	0,000	0,000		
Total	14	647,600			
R²		R²(adj)			
99,61		98,92			

In the pareto chart in Figure 5 obtained as a result of ANOVA analysis, it is seen that the most effective parameter is the IOL×NOF, and the ineffective parameters are IOL×CH, CH×NOF and NOF. In the diagram, it is also interesting to see that although NOF alone and together with CH has no effect on the temperature values, its relationship with IOL is the most effective parameter.

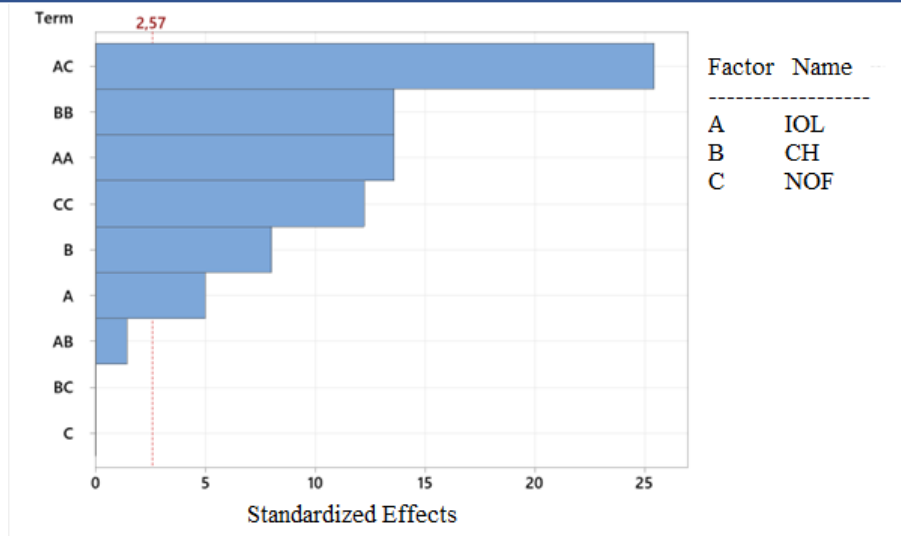


Figure 5. Pareto chart of standard effects

As a result of the study, the lowest surface temperature was obtained as 299 K for the evaporator with a straight inlet, 25 mm channel height and the number of 3 fins. In the optimum response curve obtained, it was determined that the lowest surface temperatures were obtained for straight inlets, increasing the height of the fins first increased the temperature and then decreased it, and increasing the number of fins increased the surface temperature (see Figure 6).

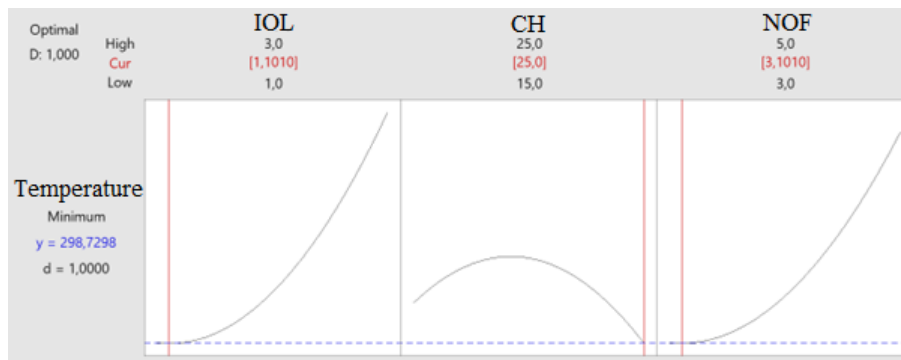


Figure 6. Optimum responses

Conclusion

As a result of the optimization and numerical studies carried out, the following results were obtained.

- It was observed that the temperature distribution of the evaporator in straight inlet conditions was better than other inlet conditions. Although the best temperature

distribution was achieved under straight inlet condition, it was observed that the highest temperature reached by the evaporator was higher than other conditions.

- The highest cooling rate was 303 K for the straight-flow, 4-fin evaporator with 25 mm channel height, while the lowest cooling rate was 326 K for the cross-flow, 3-fin evaporator with 20 mm channel height.
- It has been determined that the model that will provide the highest cooling is the straight inlet flow model with 3 fins and 25 mm channel height.
- As a result of the study, the following temperature correlation was obtained with 99.61% accuracy with the parameters examined.

$$T = 247,5 + 19,25 IOL + 7,8 CH + 5 IOL^2 - 0,2 CH^2 + 4,5 NOF^2 - 9 IOL \times NOF$$

Acknowledgement

This study was supported by Kafkas University Scientific Research Project Coordination Unit, under grand number 2022-FM-26.

REFERENCES

- Cuce, E. and S. B. Riffat (2017). "A smart building material for low/zero carbon applications: heat insulation solar glass—characteristic results from laboratory and in situ tests." International Journal of Low-Carbon Technologies **12**(2): 126-135.
- Kandilli, C., G. Külahlı and G. Savcı "Fotovoltaik Termal (PVT) sistem 2D termodinamik modellemesi ve deneysel sonuçlarla karşılaştırılması."
- Masters, G. (2004). Photovoltaic Materials and Electrical Characteristics. Renewable and Efficient Electric Power Systems: 445-504.
- Ömeroğlu, G. (2018). "Fotovoltaik-Termal (PV/T) sistemin sayısal (CFD) ve deneysel analizi." Fırat Üniversitesi Mühendislik Bilimleri Dergisi **30**(1): 161-167.
- Setting, R. E. T. (2015). International Renewable Energy Agency (IRENA): Abu Dhabi, UAE.
- Türkşen, Ö. and A. Apaydın (2012). "Bulanık yaklaşım ile çok yanıtı yüzey problemlerinin modellenmesi ve optimizasyonu."

ANALYSIS AND DESIGN OF A NONISOLATED BIDIRECTIONAL DC-DC CONVERTER BASED ON CLC NETWORK & PID CONTROL

Kağan ALTUNBAŞ

Ankara Yıldırım Beyazıt University, Department of Electrical and Electronics Engineering, Ankara

ORCID ID: 0009-0008-9438-942X

Ahmet KARAARSLAN

Ankara Yıldırım Beyazıt University, Department of Electrical and Electronics Engineering, Ankara

ORCID ID: 0000-0001-6475-4539

ABSTRACT

This study presents the development of a non-isolated bidirectional DC-DC Converter, based on a π -type resonant network controlled by PID (Proportional-Integral-Derivative) Control. The converter architecture is composed of three main components: a front-stage boost inverter, a CLC (Capacitor-Inductor-Capacitor) Resonant Network, and a poststage voltage doubled rectifier. Operating seamlessly in both step-down and step-up modes, the converter efficiently transforms a 200V DC source voltage to 100V DC and inversely, a 100V DC source voltage to 200V DC in the step-down/step-up modes respectively. Key components integral to the functionality of the proposed converter include 9 capacitors, 4 Gallium Nitride (GaN) Field-Effect Transistors (FETs), 2 diodes, 2 inductors, and various passive elements. Noteworthy is the converter's robust output power, reaching 200W. A distinctive feature and significant breakthrough of this converter circuit is its successful operation without the use of a transformer. This innovation holds considerable promise for applications in renewable energy sources (RES), electric vehicles (EVs), and other related fields. Besides, this study contributes a non-isolated bidirectional DC-DC Converter design with practical applications in sustainable energy and transportation, showcasing the potential for transformative impact in these domains. The performance of this topology has been thoroughly analyzed and compared through simulation studies conducted using the LTspice program.

Keywords: Bidirectional DC-DC Converter, π -type resonant network, PID Control, Front-stage boost inverter, CLC resonant, voltage doubled rectifier, GaN FET, Renewable energy sources

İZOLE EDİLMEMİŞ ÇİFT YÖNLÜ DC-DC DÖNÜŞTÜRÜCÜSÜNÜN CLC AĞI VE PID KONTROLÜNE DAYALI ANALİZİ VE TASARIMI

ÖZET

Bu çalışma, PID (Oransal-Integral-Türev) Kontrol tarafından yönetilen bir π -tipi rezonans ağına dayalı izole edilmemiş çift yönlü bir DC-DC Dönüştürücüsünün geliştirilmesini sunmaktadır. Dönüştürücü mimarisi, üç ana bileşenden oluşmaktadır: ön aşama yükseltici inverter, CLC (Kapasitör-İndüktör-Kapasitör) rezonans ağı ve son aşama gerilimi iki katına çıkaran doğrultucu. Adım indirme ve adım yükseltme modlarında sorunsuzca çalışan dönüştürücü, 200V DC kaynak gerilimini adım indirme modunda 100V DC'ye ve tersine, adım yükseltme modunda, 100V DC kaynak gerilimini 200V DC'ye verimli bir şekilde dönüştürmektedir. Önerilen dönüştürücünün işlevselliğinde önemli rol oynayan ana bileşenler arasında 9 kapasitör, 4 Gallium Nitrid (GaN) Alan-Etkili Transistör (FET), 2 diyot, 2 bobin ve çeşitli pasif elemanlar bulunmaktadır. Dikkate değer bir özelliği dönüştürücünün güçlü 200W çıkış gücüne ulaşmasıdır. Bu dönüştürücü devrelerinin kullanımında önemli bir çığır açan ve kayda değer ayırt edici özelliği ise, bir transformatör kullanmadan başarılı bir şekilde çalışabilmesidir. Bu inovasyon, yenilenebilir enerji kaynakları (YAE), elektrikli araçlar (EA) ve diğer ilgili alanlardaki uygulamalar için önemli vaatler taşımaktadır. Ayrıca, bu çalışma, sürdürülebilir enerji ve ulaşımda pratik uygulamalara sahip izole edilmemiş çift yönlü bir DC-DC Dönüştürücü tasarımına katkıda bulunarak, bu alanlarda dönüştürücünün etkileyici bir etki potansiyeline sahip olduğunu göstermektedir. Bu devrenin performansı, LTspice programı kullanılarak gerçekleştirilen simülasyon çalışmaları üzerinden detaylı bir şekilde analiz edilmiş ve karşılaştırılmıştır.

Anahtar Kelimeler: Çift Yönlü DC-DC Dönüştürücü, π -tipi rezonans ağı, PID Kontrol, Ön aşama yükseltici inverter, CLC rezonans, gerilimi iki katına çıkaran doğrultucu, GaN FET, Yenilenebilir enerji kaynakları

I. INTRODUCTION

The huge development in the renewable energy, such as wind energy and solar energy via photovoltaic systems, are causing many countries to turn to renewable energy sources due to efficiency and environmental protection [1]. However, RES resources produce variable and discontinuous energy depending on natural events such as sun, wind and hydroelectricity. That's why providing this energy directly to the grid or load may cause problems such as power quality, voltage regulation, and frequency stability. For this reason, it is necessary to use energy

storage systems (ESS) together with RES resources. ESS consists of devices such as energy storage battery, supercapacitor and others. The bidirectional DC/DC converter connects the dc-bus with ESS and provides continuous bidirectional flow of energy through the control of energy storage [2]. Therefore, power transfer can be made in both directions uninterruptedly and efficiently. Figure 1 shows the RES system structure and the role of the bidirectional DC/DC Converter.

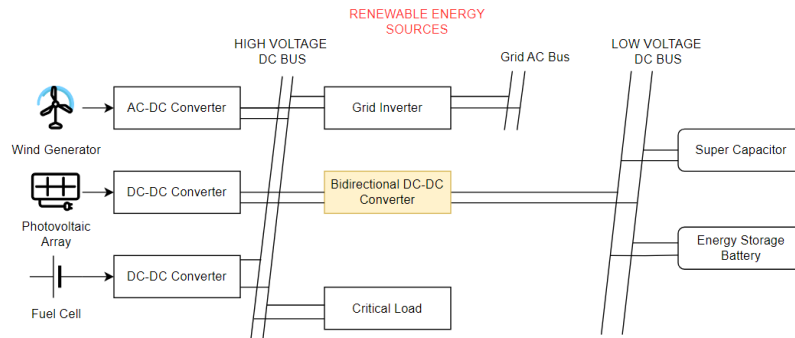


Fig. 1. Renewable Energy System Structure

There are also other applications that bidirectional DC-DC Converters can be used. To give an example, the converter plays a vital role in the regenerative braking technique in electric vehicles. Fig.2 Represents the power flow between the traction mechanism and the battery in electric vehicles. In regenerative braking mode, it operates as a buck converter [3]. While the motor receives power from the battery during acceleration and normal operation, during braking, the motor’s output power is delivered to the battery [3]. On the other hand, In the normal driving mode, it operates as a boost converter, providing double gain and accommodating a wide voltage range [4]. That’s why regenerative braking requires a bidirectional power flow between the battery and the electric motor, which is not possible with conventional unidirectional converters [5].

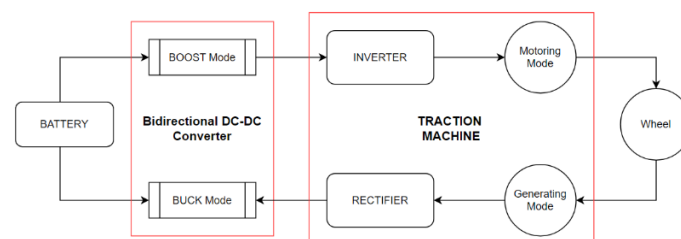


Fig.2. Power flow between traction machine and battery

Bidirectional DC-DC Converters can be divided into two types: isolated and non-isolated. There are several advantages and disadvantages for each. The advantages of the isolated bidirectional converter include features such as wide input and output range, galvanic isolation, and soft switching [2]. However compared to non isolated converter, it may have more complexity and more losses regarding to less efficiency. Therefore, in this article, a non-isolated bidirectional DC-DC converter is designed and it is observed with LTspice simulation outputs that the circuit worked as expected compared to the MATLAB/Simulink results.

By replacing diodes with switches and suitably modifying the control logic, unidirectional DC/DC converters can be modified to operate bidirectionally [6]. PID control is implemented in this study in addition to previous similar studies by changing the control logic. Thanks to the PID controller, the output of the system is observed as the decreased rise time and overshoot. In this study, PID controller, operation modes, output power characteristics and mathematical model of the converter are analyzed in detail.

In literature, This article written in 2021, named “Analysis and Design of a Nonisolated Bidirectional DC–DC Converter Based on CLC Network” by Y. Li, Y. Wang, H. Song and D. Xu has the similar circuit topology based on CLC Network. However, the article written by Y. Li, Y. Wang, H. Song and D. Xu has some uncertainties. They show that the implemented control of this converter is the PFM Control method. However, it seems that the explanation of the control method is insufficient. With this issue, some of them wrote another article represents the same project with giving more detail about the control system but there is a conflict between two articles. In the paper [7] shows that EDF method is used to control the system and system compensation design is carried out although those are the same projects. That’s why, in this article, Proportional Integral Derivative (PID) control method is implemented rather than EDF or PFM method and make it more easier to understand. The PID control method is a well-known and widely used technique that can adjust the output voltage and current according to the desired reference values.

In order to achieve high power density and optimized dynamic performance, high-frequency operation and the soft-switching technology are required [2]. Soft-switching technology is a switching technique that reduces the voltage or current across the power switch to near zero during the transition from on to off state. This way, the switch losses are reduced and the converter efficiency is increased. Among the soft-switching techniques, zero-voltage-switching (ZVS) and zero-current-switching (ZCS) are widely used. ZVS is a technique that brings the voltage across the switch to zero before turning it on. ZCS is a technique that brings the current

through the switch to zero before turning it off. These techniques can be implemented using resonant circuits. The proposed converter employs ZVS for the high-side switch and zero-current-switching (ZCS) for the secondary switch, using a CLC resonant network.

This study has the following advantages,

1. Circuit's simple structure and a well-known control method simplify its integration.
2. The primary side realizes ZVS turn-ON and the secondary side realizes ZCS turn-OFF thanks to clc network under bidirectional power flow [2]
3. Low saturation time in circuit gives us a advantage of fast implementing circuit
4. Achieving low cost by using less components and achieving higher efficiency compared to larger and more complex circuits

This article's outline is as follows. Section 1 is the Introduction part. Section II analyzes circuit topology and operation modes. In Section III, The mathematical model of the converter is explained. In Section IV, The PID control implementation and output waveforms with closed Loop control algorithm and also uncontrolled waveforms are attached. conclusion and future work is mentioned in Section V.

II. Circuit and Operation Modes

In this section, the topology of the circuit and the operating principle of the circuit in Boost&Buck mode are explained.

A. Circuit Topology Analysis of bidirectional DC-DC Converter

Fig 3. Shows the basic structure of the proposed converter.

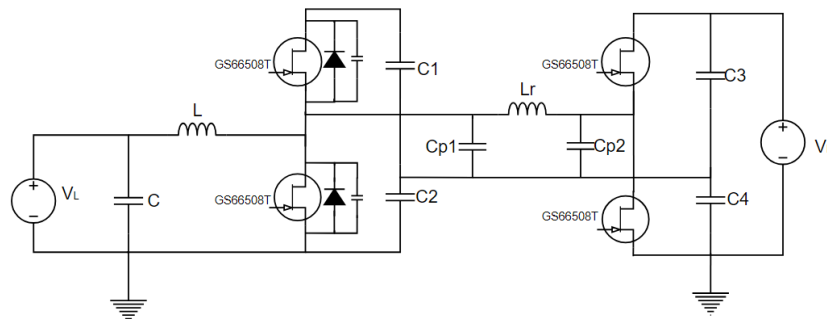


Fig. 3. Basic Structure of the proposed DC/DC Converter

V_L represents the low side voltage of the circuit. V_H represents the high side voltage of the circuit. Two resonant capacitors C_{p1} , C_{p2} and a resonant inductor L_r form the CLC resonance network of the circuit. Energy storage capacitor C_L and main inductor L form the LC filter, used for increasing output voltage in boost mode; In the buck mode, LC low-pass filter eliminates the high frequency components of the current and reduces the output ripple [2]. C_1, C_2, C_3, C_4 are the half-bridge capacitors, used for, transferring power to the output and balance the voltages, lower the stresses, and to help CLC Network for soft switching conditions related with ZVS and ZCS for the switches and diodes. Switching transistor types are GaN FET's used in the converter. The main advantage of the GaN(gallium nitride) FET's is to provide faster switching speed due to their low input and output capacitances, which allows to higher switching frequency conditions [9]. D_{s1} , D_{s2} are the body diodes of the GaN FETs S_1 and S_2 , C_{s1} and C_{s2} are the intrinsic capacitors.

B. *Circuit Operation Mode Analysis*

i. *Boost Operation Mode*

In front-stage boost inverter, LC Circuit is used to double the input voltage. Half bridge capacitors are used for transferring energy to next stage of the converter. Also Switches are used for inverting or converting DC part of the Inverted AC signal. First of all, from figure 4, It can be seen that S_2 and S_3 switches of the circuit operating in continuous conduction mode (CCM) are initially closed, and the circuit goes into dead time. Additionally, S_1 and S_4 switches are on while the S_2 and S_3 switches are the complementary switches of the circuit. Therefore, main inductor L started to charge and discharge the intrinsic capacitors(C_{s1} , C_{s2}). In this time, the polarity of voltage across the CLC Resonant Capacitor(C_{p2}) is negative. The resonant current across the inductor L_r begins to charge the output half-bridge capacitors, and a voltage of half the output voltage drops across each capacitor.

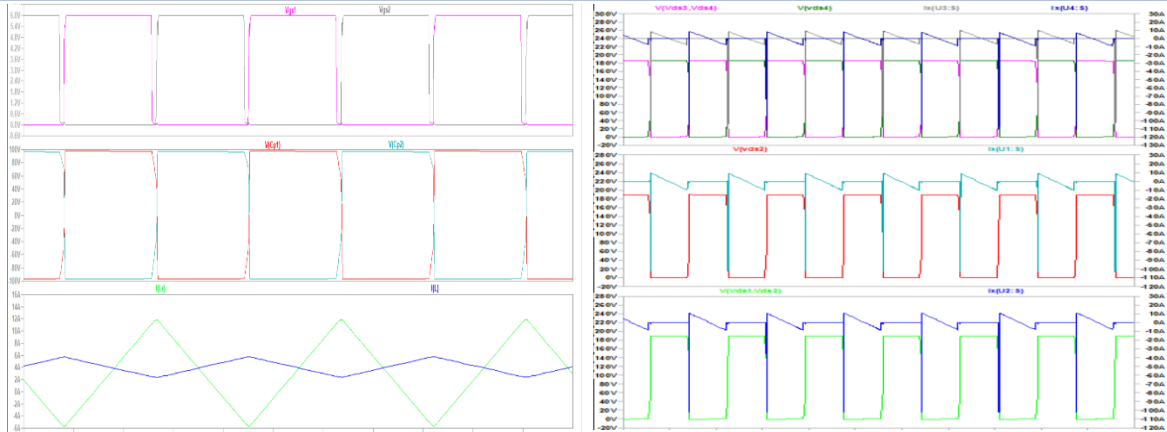


Fig. 4. Boost Waveforms of the converter

ii. *Buck Operation Mode*

Compared to boost mode, the buck operation mode is slightly different, with the similar operating Principle. The output dc voltage passes through the LC low-pass filter to obtain a stable dc output. Just one big difference is that the resonant current across the inductor L_r is changing linearly. And Providing Soft switching to gain more efficiency in the circuit. Voltage and Current waveforms of this mode can be seen in Figure 5.

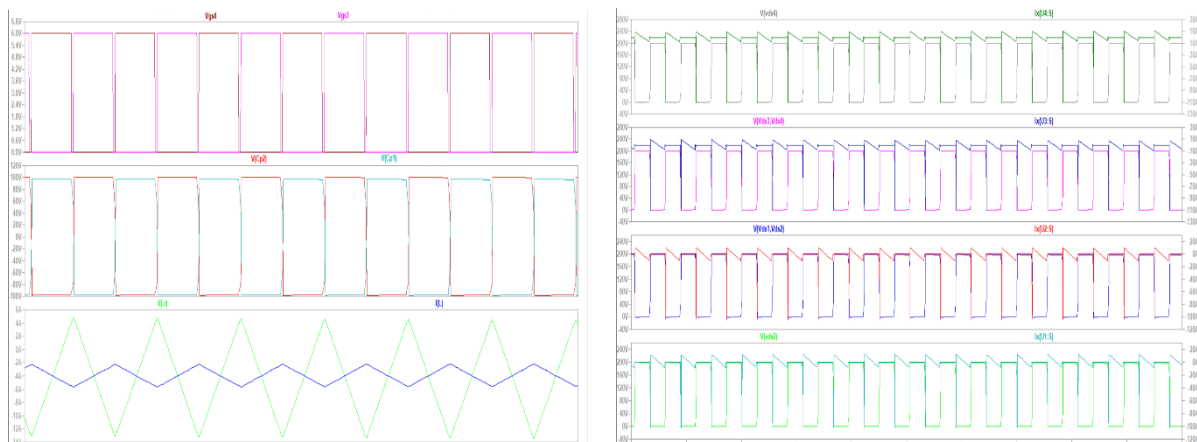


Fig. 5. Buck Mode Waveforms of the converter

III. Mathematical Model Estimation and State Space Representation

In the modeling of DC/DC Converters, there are several ways to find the transfer function of the circuit. One of them is the State Space Averaging Method and in this article, generalized state space equations and the transient analysis of the converter are mentioned.

A continuous-time transfer function is a mathematical representation that describes the relationship between the input and output of a linear time-invariant (LTI) system in the

continuous-time domain. It is typically expressed as Laplace transform variable (s), which is a complex frequency variable.

The general state space equations are given in (1) and (2), respectively [8]

$$\dot{x}(t) = Ax(t) + Bu(t) \quad (1)$$

$$y(t) = Cx(t) + Du(t) \quad (2)$$

Where, $x(t)$ represents state-space vector, $\dot{x}(t)$ represents state variable vector; $u(t)$ represents input signal; $y(t)$ represents output signal; A represents state matrix; B represents vector; C represents vector associated with the state variable and D represents vector relating input to the output [8].

According to the similarity between buck and boost mode of the converter, boost mode is taken as an example to analyze the state space representation process of the converter. The equivalent circuit at both times, turn on and turn off, according to the initial conditions of the circuit, can be seen in figure 6.

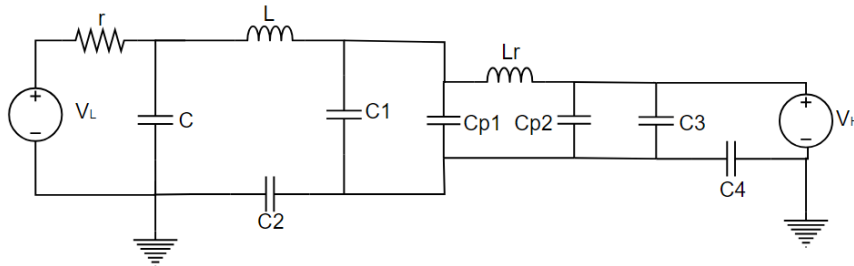


Fig. 6. Equivalent circuit at both times

Moreover, state variables are considered as $x(t) = [x_1, x_2, x_3, \dots, x_9]$. Since there are a total of 9 energy storage elements in the circuit, 9 state variables are formed.

$$\begin{aligned} X_1 &= V_{CL} & X_2 &= V_{C1}, \\ X_3 &= V_{C2}, & X_4 &= V_{C3}, \\ X_5 &= V_{C4}, & X_6 &= V_{Cp1} \\ X_7 &= V_{Cp2} & X_8 &= I_L & X_9 &= I_{Lr} \end{aligned}$$

This means that coefficient matrix A must be 9x9 Square Matrix, and since there is more than one switch in the system, matrix A is divided into $A1$ and $A2$ for each case ($D \cdot Ts$ and $(1-D) \cdot Ts$).

$$\dot{x}(t) = [A1 * D + A2 * (1 - D)]x(t) + [B1 * D + B2 * (1 - D)]u(t)$$

$$y(t) = [C1 * D + C2 * (1 - D)]x(t) + [D1 * D + D2 * (1 - D)]u(t)$$

Where $y(t)$ represents the output 1x1 matrix, $u(t)$ represents the input 1x1 matrix.

According to figure 6, circuit equivalent model equations are expressed as the following equations,

$$i_c(t) = C * \frac{dVc}{dt} = \frac{V_L}{r} - i_L$$

$$i_{c1}(t) = C1 * \frac{dVc1}{dt} = i_L - i_{cp1} - i_{Lr1}$$

$$i_{c2}(t) = C2 * \frac{dVc2}{dt} = \frac{V_L}{r} - i_c(t)$$

$$i_{c3}(t) = C3 * \frac{dVc3}{dt} = -i_0(t)$$

$$i_{c4}(t) = C4 * \frac{dVc4}{dt} = i_{c2}(t) + i_{c3}(t)$$

$$i_{cp1}(t) = Cp1 * \frac{dVcp1}{dt} = i_L(t) - i_{c1}(t) - i_{Lr1}(t)$$

$$i_{cp2}(t) = Cp2 * \frac{dVcp2}{dt} = i_{Lr1}(t) - i_0(t)$$

$$V_L(t) = L * \frac{di(t)}{dt} = V_c(t) - V_{c1}(t)$$

$$V_{Lr1}(t) = Lr1 * \frac{di(t)}{dt} = V_{cp1}(t) - V_{cp2}(t)$$

$$V_{out}(t) = V_{c3}(t) + V_{c4}(t)$$

$$A_1 = \begin{bmatrix} 0 & 0 & 0 & 0 & 0 & 0 & 0 & -1 & 0 \\ 0 & 0 & 0 & 0 & 0 & \frac{-1}{Cp1} & 0 & 1 & -1 \\ -1 & 0 & 0 & 0 & 0 & 0 & 0 & 0 & 0 \\ 0 & 0 & 0 & -1/R_L C_3 & -1/R_L C_3 & 0 & 0 & 0 & 0 \\ 0 & 0 & 1/C_2 & -1/R_L C_4 & -1/R_L C_4 & 0 & 0 & 0 & 0 \\ 0 & \frac{-1}{C1} & 0 & 0 & 0 & 0 & 0 & 1 & -1 \\ 0 & 0 & 0 & -1/R_L C_{p2} & -1/R_L C_{p2} & 0 & 0 & 0 & 1 \\ 1 & -1 & 0 & 0 & 0 & 0 & 0 & 0 & 0 \\ 0 & 0 & 0 & 0 & 0 & 1 & -1 & 0 & 0 \end{bmatrix}$$

$$A_2 = \begin{bmatrix} 0 & 0 & 0 & 0 & 0 & 0 & 0 & -1 & 0 \\ 0 & 0 & 0 & 0 & 0 & \frac{-1}{Cp1} & 0 & 1 & -1 \\ -1 & 0 & 0 & 0 & 0 & 0 & 0 & 0 & 0 \\ 0 & 0 & 0 & 1/R_L C_3 & 1/R_L C_3 & 0 & 0 & 0 & 0 \\ 0 & 0 & -1/C_2 & 1/R_L C_4 & 1/R_L C_4 & 0 & 0 & 0 & 0 \\ 0 & \frac{-1}{C1} & 0 & 0 & 0 & 0 & 0 & 1 & -1 \\ 0 & 0 & 0 & -1/R_L C_{p2} & -1/R_L C_{p2} & 0 & 0 & 0 & 1 \\ 1 & -1 & 0 & 0 & 0 & 0 & 0 & 0 & 0 \\ 0 & 0 & 0 & 0 & 0 & 1 & -1 & 0 & 0 \end{bmatrix}$$

$$B = \begin{bmatrix} 1/R_1 C \\ 0 \\ 1/R_1 C_2 \\ 0 \\ 0 \\ 0 \\ 0 \\ 0 \\ 0 \end{bmatrix}$$

$$Y(t) = (V_{out}(t))$$

$$u(t) = (V_{in}(t))$$

Due to the complexity of the matrices, continuous time transfer function is obtained from MATLAB/Simulink Program. Figure 7 represents the continuous time transfer function obtained from MATLAB.

$$\begin{aligned}
 &192.6 s^{18} + 5.296e20 s^{17} + 5.459e38 s^{16} + 2.501e56 s^{15} + 4.297e73 s^{14} + 1.822e87 s^{13} \\
 &+ 2.751e100 s^{12} + 2.152e113 s^{11} + 9.972e125 s^{10} + 2.888e138 s^9 + 5.279e150 s^8 \\
 &+ 5.912e162 s^7 + 3.703e174 s^6 + 9.928e185 s^5 + 2.948e187 s^4 + 7.028e198 s^3 \\
 &\quad - 9.478e199 s^2 - 1.732e200 s + 4.972e198 \\
 &----- \\
 &s^{20} + 2.749e18 s^{19} + 2.833e36 s^{18} + 1.298e54 s^{17} + 2.23e71 s^{16} + 4.716e84 s^{15} \\
 &+ 4.252e97 s^{14} + 2.131e110 s^{13} + 6.482e122 s^{12} + 1.225e135 s^{11} + 1.404e147 s^{10} \\
 &+ 8.95e158 s^9 + 2.432e170 s^8 + 4.422e177 s^7 + 2.038e183 s^6 + 3.705e190 s^5 \\
 &\quad + 1.16e195 s^4 + 2.096e202 s^3 + 3.769e204 s^2 - 8.239e204 s - 4.022e206
 \end{aligned}$$

Name: Linearization at model initial condition
 Continuous-time transfer function.

Fig. 7. Continuous Time Transfer Function

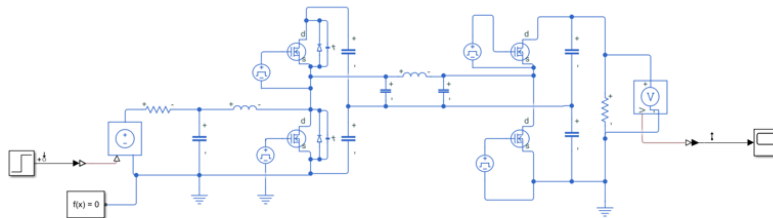


Fig. 8. MATLAB/Simulink Implemented circuit

To derive the transfer function of the system from MATLAB/Simulink, Step signal block is applied to the input side of the circuit. After that, Input perturbation and output measurement signals are selected as linear analysis points from the simulation circuit. Step output is obtained by starting the model linearizer app. Then the transfer function is obtained using the MATLAB command window page.

IV. DESIGN OF THE CONVERTER WITH CLOSED LOOP CONTROL

Due to the simple implementation procedure, the first choice to design a control strategy is a PID controller [10]. General structure of the PID control is showed in Fig. 6. PID control is a common control scheme for bidirectional nonisolated DC DC converters, which uses proportional, integral, and derivative terms to regulate the output voltage or current of the converter. PID control achieved fast response and good stability in this converter.

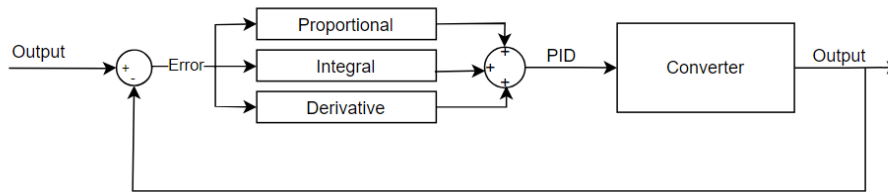


Fig.9 PID Controller General Structure

In the PID controller, the value of the K_p , K_i and K_d parameters are calculated randomly to adjust the controller. For the Boost operation of the converter, selected PID parameter values are K_p is 100, K_i 0.1 and K_d is 0.0001(100 mikro). For the Buck operation of the converter, selected PID parameter values are K_p is 100, K_i 0.000001(1 mikro) and K_d is 0.005(5 mili).

V. Simulation Results

The simulation of the circuit is made using the LTspice program. The circuit is successfully operated in both modes with providing 200W output power. The simulated Circuit in all conditions are presented in the following images. Also the values of the components in the circuit is showed in table 1.

TABLE 1 Specification Of the Converter

Parameter	Reference	Value
High-Side Voltage	VH	200 V
Low-Side Voltage	VL	100 V
Rated Output Power	P	200 W
Switching Frequency	f_{sw}	300kHz
Dead time	Td	100ns
Main Inductor	L	47u H
Resonant Inductor	Lr	18u H
Resonant Capacitors	Cp1,Cp2	15.6n F
Energy Storage Capacitor	CL	100u F
Half-Bridge Capacitors	C1,C2,C3,C4	47u F
Intrinsic Capacitance	Cs1,Cs2	63p F
Anti-Parallel Diode	Ds1,Ds2	RFS30TZ6S
GaN FET	S1,S2,S3,S4	GS66508T
Load R	R_L	Boost : 180 Ω Buck : 40 Ω
Source series Resistor	r	550m Ω

A. Circuit Without PID Controller Input and Output Waveforms

Without PID Controller, basically circuit is implemented with generating the pulses according to the duty cycles of the switches S1,S2, S3 and S4. Duty Cycles of the power switches selected as 0.5 As previously mentioned, switches S1 and S4 operate synchronously with each other, while complementary switching is provided by switches S2 and S3. Figure 10. Shows the implementation of the circuit simulation schematic.

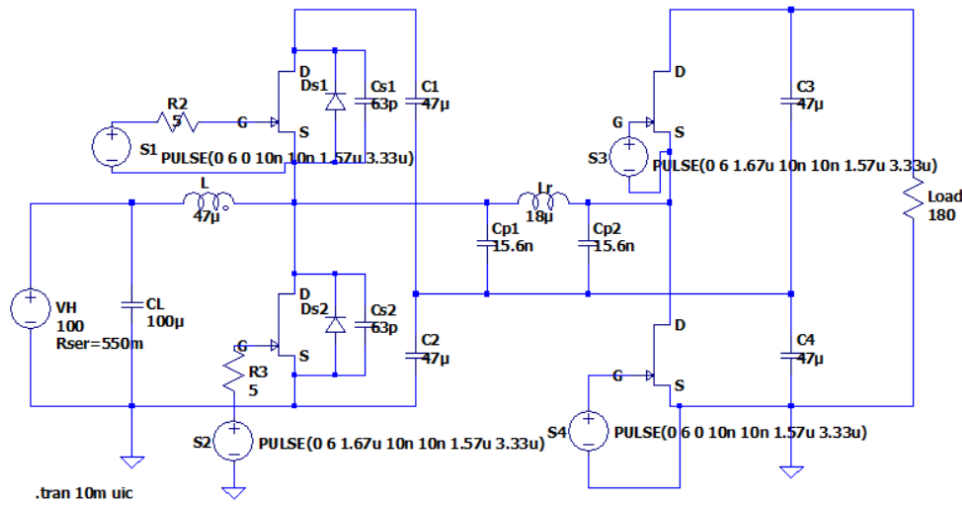


Fig.10 Boost Mode Converter Circuit Schematic

Under 100V DC Input source and 180 Ω resistive load, simulation results are shown below. Rated power is equal to 200 Watts.



Fig.11. Boost Mode Output Voltage and Current Waveforms

Figure 11 illustrates the output voltage and current of the uncontrolled circuit when operating in boost mode. According to the analysis of the results, 5% Overshoot, approximately 0.75 ms settling time and approximately 150 μs rise time were obtained when the circuit is operating in boost mode.



Fig.12. Boost Mode Input Voltage and Current Waveforms

In Figure 12, Input voltage and current waveforms of the converter when operating in boost mode without a controller. According to the analysis of the results, 1,2% Overshoot, approximately 0,9 ms settling time and approximately 368 μ s rise time were obtained when the circuit is operating in boost mode.

Figure 13 shows the buck mode implementation of the converter.

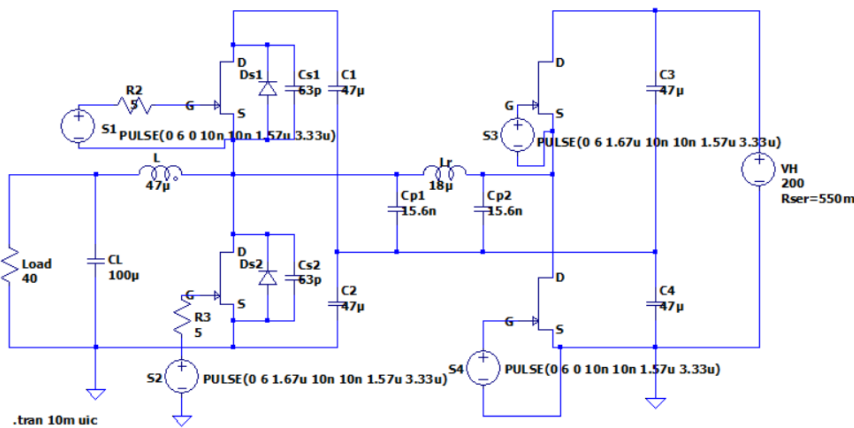


Fig.13 Buck Mode Converter Circuit Schematic

Under 200 V DC Input source and 40 Ω resistive load, simulation results are shown below.

Rated power is equal to 200 Watts.



Fig.14 Buck Mode Output Voltage and Current Waveforms

Figure 14 illustrates the output voltage and current of the uncontrolled circuit when operating in buck mode. According to the analysis of the results, 40% Overshoot, approximately 1,17 ms settling time and approximately 106,3 μs rise time were obtained when the circuit is operating in buck mode.



Fig.15 Buck Mode Input Voltage and Current Waveforms

Figure 15 illustrates the output voltage and current of the uncontrolled circuit when operating in buck mode. According to the analysis of the results, 10% Overshoot, approximately 1,1 ms settling time and approximately 0,1 ms rise time were obtained when the circuit is operating in buck mode.

B. Circuit With PID Controller Input and Output Waveforms

Reference voltage is set to 200V DC, and triangular waveform generator is set to Vlow = 0V , Vhigh = 400V and then the period of the triangular waveform generator is set to 200kHz. Implementation of the circuit simulation when operating boost mode is shown in Fig.16.

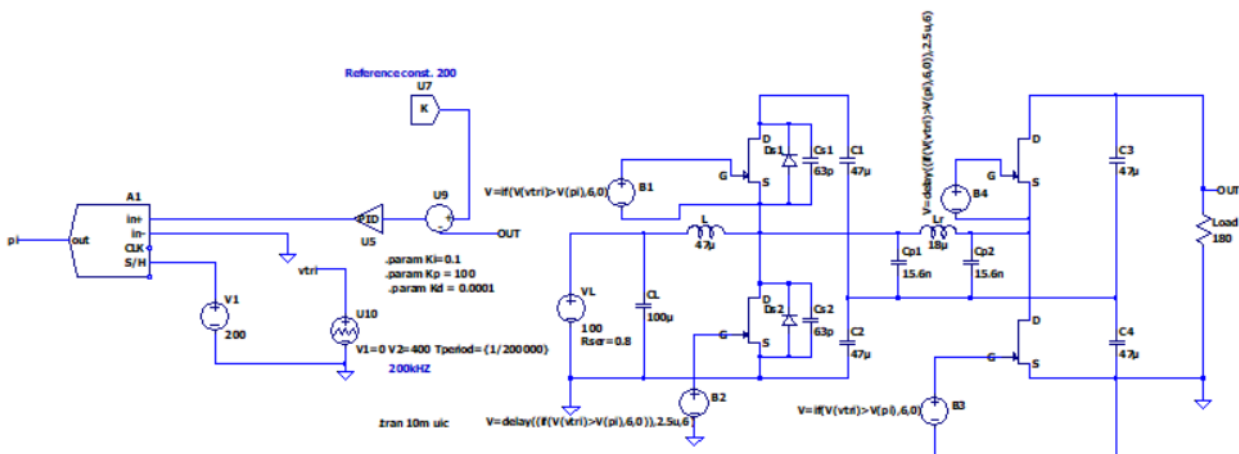


Fig. 16. Boost Mode Converter Circuit with PID Controller

Under 100V DC Input source and 180 Ω resistive load, simulation results are shown below. Rated power is equal to 200 Watts.



Fig. 17. Boost Mode Output Voltage and Current Waveforms

Figure 17 illustrates the output voltage and current of the PID controlled circuit when operating in boost mode. According to the analysis of the results, no Overshoot, approximately 1,26 ms settling time and approximately 507,8 μ s rise time were obtained when the circuit is operating in boost mode.

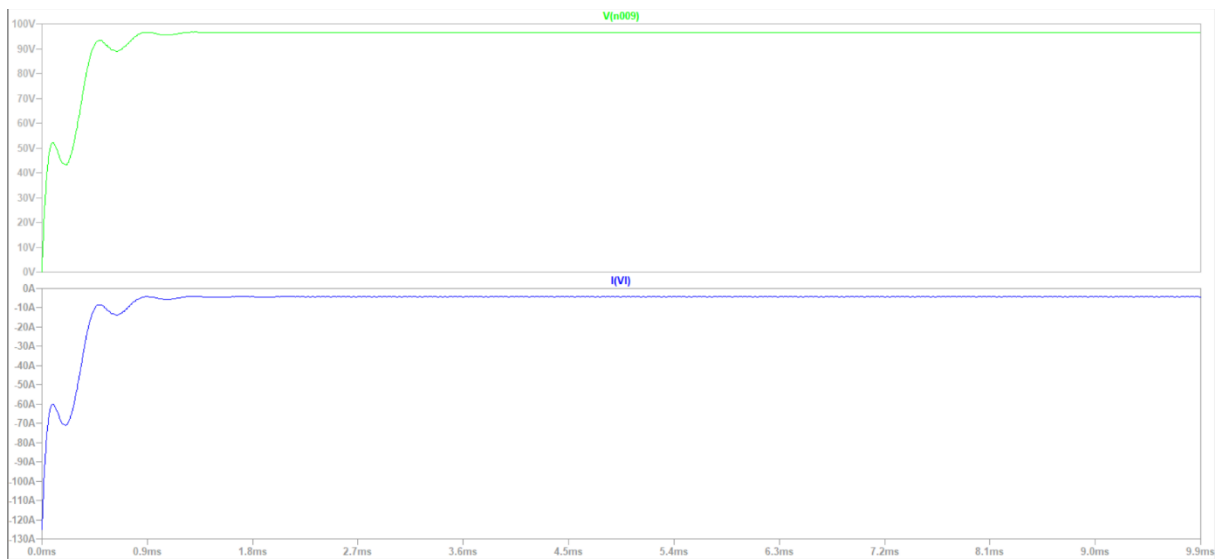


Fig. 18. Boost Mode Input Voltage and Current Waveform

Figure 18 illustrates the input voltage and current of the PID controlled circuit when operating in boost mode. According to the analysis of the results, no Overshoot, approximately 1,39 ms settling time and approximately 423,5 μ s rise time were obtained when the circuit is operating in boost mode.

Figure 19 shows the buck mode implementation of the converter with a PID Controller.

Reference voltage is set to 100V DC, and triangular waveform generator is set to $V_{low} = 0V$, $V_{high} = 200V$ and then the period of the triangular waveform generator is set to 200kHz. Implementation of the circuit simulation when operating boost mode is shown in Fig.16. Under 100V DC Input source and 180 Ω resistive load, simulation results are shown below. Rated power is equal to 200 Watts.

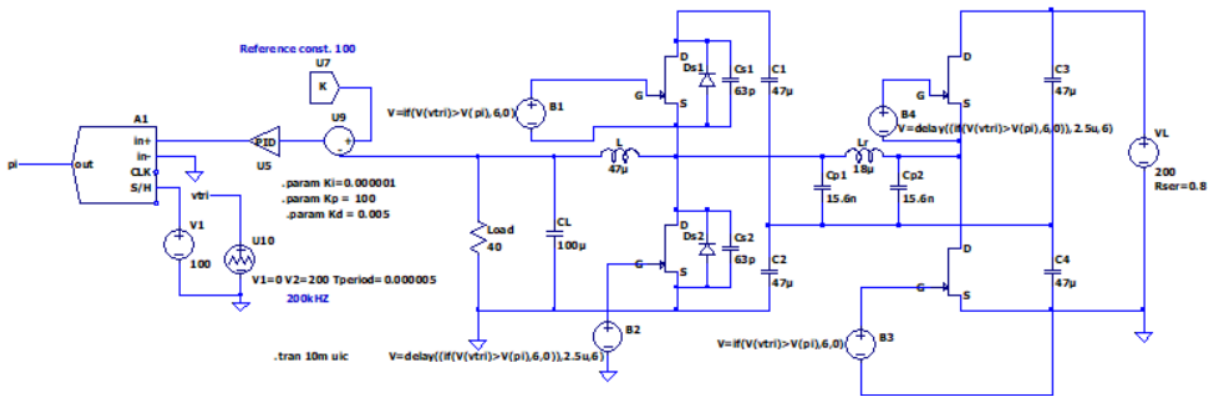


Fig.19 Buck Mode Converter Circuit with PID Controller

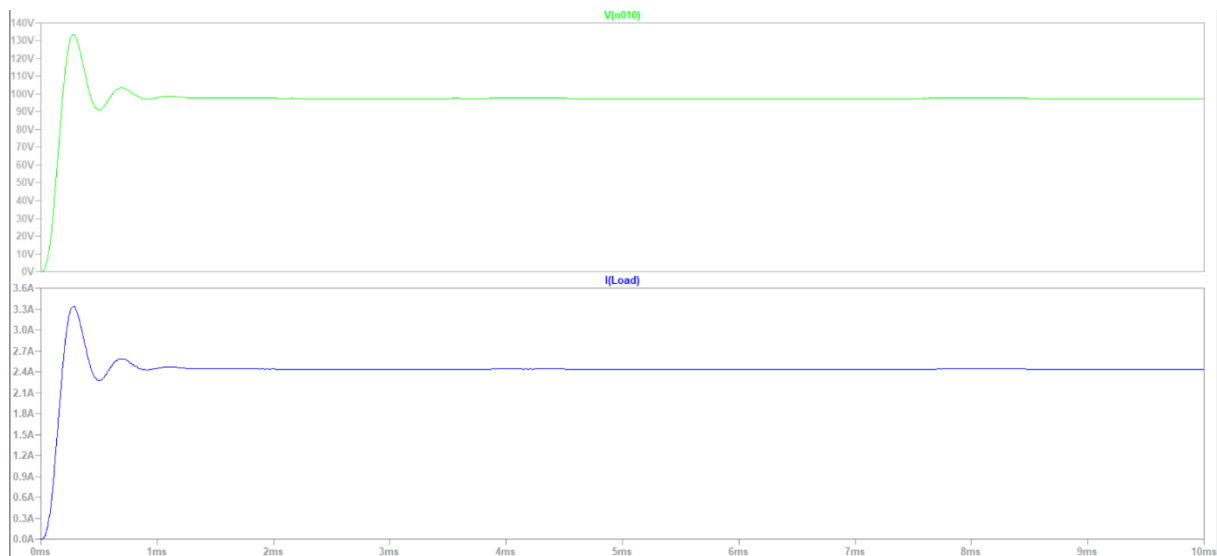


Fig.20 Buck Mode Output Voltage and Current waveform

Figure 20 illustrates the output voltage and current of the PID controlled circuit when operating in buck mode. According to the analysis of the results, 33% Overshoot, approximately 1,3 ms settling time and approximately 110,57 μs rise time were obtained when the circuit is operating in buck mode.

Figure 21 illustrates the input voltage and current of the PID controlled circuit when operating in buck mode. According to the analysis of the results, 4% Overshoot, approximately

848 μ s settling time and approximately 278 μ s rise time were obtained when the circuit is operating in buck mode.



Fig.21 Buck Mode Input Voltage and Current waveforms

VI. Conclusion

Bidirectional DC-DC Converter based on CLC Network with PID Controller structure is presented in this article. Results from the LTspice simulation, mathematical model, continuous time transfer function and general structure of circuit are presented. Also, Implemented PID controller and operation principles area explained in detail. The system efficiency is %90+ in both Boost and Buck operation modes.

REFERENCES

- [1] L. Yu, L. Wang, C. Yang, L. Zhu, Y. Gan and H. Zhang, "A Novel Nonisolated GaN-Based Bidirectional DC–DC Converter With High Voltage Gain," in *IEEE Transactions on Industrial Electronics*, vol. 69, no. 9, pp. 9052-9063, Sept. 2022, doi: 10.1109/TIE.2021.3113015.
- [2] Y. Li, Y. Wang, H. Song and D. Xu, "Analysis and Design of a Nonisolated Bidirectional DC–DC Converter Based on CLC Network," in *IEEE Journal of Emerging and Selected Topics in Industrial Electronics*, vol. 2, no. 4, pp. 481-490, Oct. 2021, doi: 10.1109/JESTIE.2021.3096731.
- [3] R. Kannan, P. K, K. C, N. M. Nor and S. Gandhi A, "Design and Simulation of a Bidirectional DC-DC Converter with PI Controller for Regenerative Braking in Electric Vehicles," 2023 IEEE Conference on Energy Conversion (CENCON), Kuching, Malaysia, 2023, pp. 64-69, doi: 10.1109/CENCON58932.2023.10369135..
- [4] N.Dias; A.J. Naik; V.N. Shet, A Novel Tri-Mode Bidirectional DC–DC Converter for Enhancing Regenerative Braking Efficiency and Speed Control in Electric Vehicles. *World Electr. Veh. J.* 2024, 15, 12. <https://doi.org/10.3390/wevj15010012>
- [5] F. Akar, Y. Tavlasoglu, E. Ugur, B. Vural and I. Aksoy, "A Bidirectional Nonisolated Multi-Input DC–DC Converter for Hybrid Energy Storage Systems in Electric Vehicles," in *IEEE Transactions on Vehicular Technology*, vol. 65, no. 10, pp. 7944-7955, Oct. 2016, doi: 10.1109/TVT.2015.2500683
- [6] A. Khaligh and S. Dusmez, "Comprehensive Topological Analysis of Conductive and Inductive Charging Solutions for Plug-In Electric Vehicles," in *IEEE Transactions on Vehicular Technology*, vol. 61, no. 8, pp. 3475-3489, Oct. 2012, doi: 10.1109/TVT.2012.2213104.

- [7] Y. Li, Y. Wang and H. Song, "Bidirectional DC-DC Converter based on CLC network," 2019 22nd International Conference on Electrical Machines and Systems (ICEMS), Harbin, China, 2019, pp. 1-4, doi: 10.1109/ICEMS.2019.8922425.
- [8] TAŞKINCAN, F. S., KARAARSLAN, A., & ORTATEPE, Z. (2023). The Implementation of Internal Mode Control Method to SEPIC Converter for Battery Charging Systems. Gazi University Journal of Science Part C: Design and Technology, 11(2), 464-474. <https://doi.org/10.29109/gujsc.1179763>
- [9] S. Khoshzaman and I. Hahn, "A Performance Comparison of GaN FET and Silicon MOSFET," 2021 22nd IEEE International Conference on Industrial Technology (ICIT), Valencia, Spain, 2021, pp. 127-133, doi: 10.1109/ICIT46573.2021.9453693.
- [10] S. A. Gorji, H. G. Sahebi, M. Ektesabi and A. B. Rad, "Topologies and Control Schemes of Bidirectional DC-DC Power Converters: An Overview," in IEEE Access, vol. 7, pp. 117997-118019, 2019, doi: 10.1109/ACCESS.2019.2937239.

MARMARA ADASI ULAŞIM İSKELESİ PROJE ETKİLERİ İLE EKOSİSTEM DEĞERLENDİRMESİ

Aydan YILMAZ DİZMAN

Bursa Uludağ Üniversitesi Mühendislik Fakültesi Çevre Mühendisliği Bölümü

ORCID ID: 0000-0001-8264-7661

Ayşe ELMACI

Bursa Uludağ Üniversitesi Mühendislik Fakültesi Çevre Mühendisliği Bölümü

ORCID ID: 0000-0002-1762-1140

İSMAİL AYHAN

Manisa Celal Bayar Üniversitesi Mühendislik Fakültesi İnşaat Mühendisliği Bölümü

ORCID ID: 0009-0008-3866-6963

ÖZET

21.yüzyılda endüstriyel ve tarımsal atıklardan kaynaklanan deniz kirliliğinin artması, kıyısız yapılaşmanın büyümesi ve aşırı avlanma, denizlerimizde canlı yaşamının tür çeşitliliği ve sayıca giderek azalmasına neden olmaktadır. Bu sebeple bazı alanlar Özel Çevre Koruma Bölgesi (SEPA) olarak ilan edilmiştir. Bahse konu alanların korunarak gelecek nesillere aktarılması önem arz etmektedir. Bu bağlamda bilimsel kriterler ışığında sahip olduğu biyoekolojik, jeolojik, hidrojeolojik ve jeomorfolojik değerlerin belirlenmesi ve önerilerinin ortaya konulması amacı ile kıyılarda yapılacak faaliyetler için Proje Etkileri ile Ekosistem Değerlendirmesi gerekmektedir. Bu çalışmanın amacı deniz ekosistemini korumak ve iyileştirmektir.

Çalışmamızda, Balıkesir İli, Marmara Adası Ulaşım İskelesi proje alanında yapılması planlanan yapılar için proje etki alanının tanımlanması yapılarak, etki alanının belirlendiği kriterler açıklanıp haritalar üzerinde gösterilmiştir. Ulaşım İskelesinin kara ve deniz ortamındaki flora ve fauna üzerinde etkileri ile alınması gereken önlemler açıklanmıştır. Ayrıca, mevcut hidrolik jeomorfolojik ve ekolojik sistemde meydana gelebilecek muhtemel değişiklikler ortaya konularak, alınması öngörülen mühendislik önlemleri açıklanmıştır. Etki alanına giren biyoçeşitlilik ve doğal kaynaklar üzerine olası etkiler irdelenmiştir.

Bu kapsamda, proje alanının ekolojik özellikleri, kritik türler ile habitatların mevcut durumu, literatür ve arazi verilerinin kullanımı, proje alanındaki denizsel türlerin endemik durumları, flora ve fauna listelerinin sunumu, proje alanı ve korunan alanlar ilişkisi ön plana çıkarılarak, Marmara Denzinde Ekosistem değerlendirme yapılmıştır.

Anahtar Kelimeler: Çevresel etkiler, Ekosistem, Marmara Denizi.

MARMARA ISLAND TRANSPORTATION PIER PROJECT IMPACTS AND ECOSYSTEM ASSESMENT

ABSTRACT

In the 21st century, the increase in marine pollution caused by industrial and agricultural wastes, the growth of coastal construction and overfishing cause the species diversity and number of living creatures in our seas to gradually decrease. For this reason, some areas have been declared as Special Environmental Protection Areas (SEPA). It is important to protect the areas in question and pass them on to future generations. In this context, Project Impacts and Ecosystem Assessment is required for the activities to be carried out on the coasts in order to determine the bioecological, geological, hydrogeological and geomorphological values it has in the light of scientific criteria and to put forward its recommendations. The aim of this work is to protect and improve the marine ecosystem.

In our study, the project impact area was defined for the structures planned to be built in the Balıkesir Province, Marmara Island Transportation Pier project area, and the criteria by which the impact area was determined were explained and shown on the maps. The effects of the Transportation Pier on the flora and fauna in the land and sea environment and the precautions to be taken are explained. In addition, possible changes that may occur in the existing hydraulic, geomorphological and ecological system are revealed and the engineering measures to be taken are explained. Possible impacts on biodiversity and natural resources within its area of influence have been examined.

In this context, an Ecosystem assessment in the Marmara Sea was made by highlighting the ecological characteristics of the project area, the current status of critical species and habitats, the use of literature and field data, the endemic status of marine species in the project area, the presentation of flora and fauna lists, and the relationship between the project area and protected areas.

Key Words: Ecosystems, Environmental Effects, Marmara Sea.

1. GİRİŞ

Marmara Denizi, doğal yapısı, çok çeşitli flora-faunası ile, Karadeniz ve Akdeniz'in arasında biyolojik çeşitliliği yüksek ,sürekli akıcılığı olan ve kirliticileri uzun mesafelere taşınan, biyolojik koridor olma özelliği ile de korunması gereken nadir alanlarımızdandır. 21.yüzyılda artan sanayileşme ,yapılaşma nüfus ve iklim değişikliği sebebi ile Marmara Denizi endişe yaratacak bir kirliliğe mahruz kalmıştır.Bu kirlilik sorununun acil olarak ele alınıp sahada aktif bir şekilde çözümlenmesi gereken bir durum içerisinde. Bu bağlamda bilimsel kriterler

ışığında sahip olduğu biyoekolojik, jeolojik, hidrojeolojik ve jeomorfolojik değerlerin belirlenmesi ve önerilerinin ortaya konulması amacı ile kıyılarda yapılacak faaliyetler için Proje Etkileri ile Ekosistem Değerlendirmesi gerekmektedir. Ulaştırma ve Altyapı Bakanlığı'nın planla sınırına girme ihtimali olan Marmara Adası Ulaşım İskelesi Alanlarında Proje Etki Değerlendirme çalışmaları yapılarak, mevcut durumda ekosisteme zarar vermeden yapım ve işletme açısından önerilerde bulunulmuştur. Planlanması muhtemel sınır içinde epidemik tür araştırması yapılarak soyu tükenmekte olan ve denizi arıtma özelliği olan *Pinna Nobilis* türü midyelerin varlığına rastlanmış koordinatları belirlenerek yapım aşamasında taşınması ve zarar görmemesi için önlemler alınması planlanmıştır. Marmara denizinde müsülaj sorununu azaltmak ve orada yaşayan canlıların tür devamlılığı, ve verimi açısından önerilerde bulunulmuştur.

2. ARAŞTIRMA VE BULGULAR

2.1. Gözlemsel Çalışmalar

Deniz ortamı ekolojik olarak iki bölüme ayrılmıştır: Bentik bölge ve Pelajik bölge. Bunlardan bentik bölge kıyı şeridinden en derin yere kadar tüm dip alanını, pelajik bölge ise bentığı kaplayan su kütlesinin tamamını kapsamaktadır. İki büyük deniz sistemini oluşturan bu bölgeler kendi içlerinde alt bölgelere ayrılmaktadır.

Epipelajik zon: Genellikle 0-50 m.'ler arasındaki derinlikleri kapsarsa da bu derinlik sınırı bazı bölgelerde 199 m. bulabilir. Bu zon öfotik zon olarak adlandırılır. Çalışma alanına göre epipelajik zon sınırları içindedir. Bu alanda plankton ,macro algler, bentik omurgasızlar, balık türleri tespiti için dalış çalışmaları ve literatür araştırmaları yapılmıştır.

2.1.1. Proje Alanı ve Yakın Çevresinin Deniz Algleri

YANOPHYCEAE
Phormidium corallina
Rivularia atra
Lynbya adriae
PYRROPHYCEAE
Amphisolenia laticinctaa
Cochlodinium sp.
Dinophysis acuta
Dinophysis caudata

Dinophysis odiosa
Gonyaulax digitale
Gonyaulax sp.
Noctiluca scintillans
Phalacroma mitra
Podolampas palmipes
Pronoctiluca sp.
Prorocentrum gracile
Prorocentrum micans
Prorocentrum scútellum
Protoperidinium bipes
Protoperidinium crassipes
Protoperidinium depressum
Protoperidinium grande
Protoperidinium paulsenii
Tripos furca
Tripos fusus
Tripos macroceros
Tripos trichoceros
DICTYOCHOPHYCEAE
Dictyocha fibula
BACILLARIOPHYCEAE
Achnanthes brevipes
Chaetoceros brevis
Chaetoceros constrictus
/Chaetoceros decipiens
Chaetoceros gracilis
Chaetoceros lorenzianus
Cocconeis sp.

Cyclotella sp.
Entomoneis sp.
Neocalyptrella robusta
Pleurosigmanormanii
Proboscia alata
Pseudo-nitzschia delicatissima
PseudDsolenia calcar-avis
CHLOROPHYCEAE
PHAEOPHYCEAE
Cystoseira sp.
RHODOPHYCEAE
Ceramium virgatum
Cryptonemia lonation
Dasya baillouviana
Gelidium melanoideum
Lophosiphonia obscura
Polysiphonia sertularioides
HETEROKONTOPHYCEAE
Acinetospora crinita
Eudesme virescens
Pleurosigmanormanii
Proboscia alata
Pseudo-nitzschia delicatissima
PseudDsolenia calcar-avis
CHLOROPHYCEAE
PHAEOPHYCEAE
Cystoseira sp.
RHODOPHYCEAE
Ceramium virgatum

Cryptonemia lonation
Dasya baillouviana
Gelidium melanoideum
Lophosiphonia obscura
Polysiphonia sertularioides
HETEROKONTOPHYCEAE
Acinetospora crinita
Eudesme virescens

Çalışma alanı içerisinde 8 ayrı alg diviziyosuna ait toplam 176 takson kaydı verilmiştir. Örnekleme sonucunda elde etmiş- olduğumuz verilere göre fitoplanktonik organizmaların tür çeşitliliği bakımından daha baskın oldukları görülmektedir. Özellikle Pyrrophyceae grubu algler çeşitlilik bakımından en zengin Sınıf olmuştur. Bu sınıfa ait 74 tür, Cyanophyceae'ya ait 14, Dictyochophyceae'ya ait 3, Bacillariophyceae'ya 48, Chlorophyceae'ya ait 2, Phaeophyta'ya ait 1, Rhodophyceae'ya ait 23 ve Heterokontophyceae'ya ait 11 takson bulunmuştur.

Bu sayıların önemli bir kısmı literatür bilgileri ile desteklenmiştir. Mikro ve Makro Algler içerisinde tespit edilen canlı türlerinin hemen hepsi kozmopolit olup, Marmara ve Gemlik körfezinde yaygın ve bol bulunan taksonlardır. Bu grup alglerde nesli tehlikede bir tür bulunmamaktadır.

2.1.2. Proje Alanı ve Yakın Çevresine Ait Bulunan ve Bulunma İhtimali Olan Deniz Bitkileri

Şube	Familya	Tür Adı	Türkçe Adı	Gözlem	Literatür
Rhodophyta (Kırmızı Algler)		Gelidium sp	Kırmızı Alg	+	-
	Gracilariaceae	Gracilaria gracilis	Kırmızı Alg	-	+
	Corallinaceae	Corallina sp	Kırmızı Alg	-	+
	Ceramieae	Ceramium sp	Kırmızı Alg	+	-
		Ceramium rubrum	Kırmızı Alg	-	+

	Rhodomelaceae	Laurencia papillosa	Kırmızı Alg	+	-	
		Laurencia obtusa	Kırmızı Alg	+	-	
		Polysiphonia subulifera	Kırmızı Alg	-	+	
Chlorophyta (Yeşil Algler)	Ulvaceae	Ulva rigida	Deniz Marulu	+	-	
		Ulva lactuca	Deniz Marulu	+	-	
		Enteromorpha compressa	Yeşil Alg	-	+	
		Enteromorpha linza	Yeşil Alg	-	+	
		Enteromorpha Promfera	Yeşil Alg	-	+	
	Cladophoraceae	Chaetomorpha sp	Yeşil Alg	-	+	
		Cladophora sp	Yeşil Alg	+	-	
	Bryopsidaceae	Bryopsis sp	Yeşil Alg	-	+	
	Codiaceae	Codium fragile	Yeşil Alg	+	-	
		Codium bursa	Yeşil Alg	+	-	
		Halimeda tuna	Yeşil Alg	+	-	
		Chordariaceae	Stilophora rhizodes	Kahverengi Alg	-	+

	Ectocarpaceae	Ectocarpus sp	Kahverengi Alg	+	-
	Sphacelariaceae	Colpomenia sinuosa	Kahverengi Alg	-	+
		Hydroclathrus	Kahverengi Alg	-	+
Phaeophyceae (Kahverengi Algler		Clathratus		+	-
	Dictyotaceae	Dictyota dichotoma	Kahverengi Alg	+	-
		Dictyoto linearis	Kahverengi Alg	-	+
		Padina pavonica	Kahverengi Alg	+	-
	Sargassaceae	<i>Cystoseira criniata</i>	Kahverengi Alg	-	+
		<i>Cystoseira barbata</i>	Kahverengi Alg	-	+
		<i>Cystoseira compressa</i>	Kahverengi Alg	-	+
		<i>Cy stoseira corniculata</i>	Kahverengi Alg	-	+
<i>Sargossum sp</i>		Kahverengi Alg	-	+	
Tracheophytes	Zosteraceae	<i>Zostera sp</i>	Bodur Denizçayırı	+	-

2.1.3. Proje Alanı ve Yakın Çevresine Ait Zooplantonik Organizmalar

HOLOPLANKTON	
Foraminifera	+
Hidromedusae	+
Cladocera	
	Penilia avirostris
	Evadne spinefera
	Evadne tergestris
Copepoda	
	Acartia clausii
	Acartia negligens
	Isias clavipes
	Oithona setigera
	Onceae media
	Oithona nana
	Temora stylifera
MEROPLANKTON	
Crustacea	
	Palaemon elegans
Decopoda	
Mollusca	
	Gastropoda larvasi
Ostracoda	
	Paracytheridea parallia

Cirripedia	
------------	--

Zooplanktonik organizmalar içerisinde 9 ayrı gruba ait toplam 29 takson belirlenmiştir. Bunun dışında yaşamlarının sadece bir dönemlerini su kütlesi içerisinde geçiren, diğer dönemlerini farklı ortamlarda sürdüren canlılarda vardır ve bunlara da Meroplankton denilmektedir.

2.1.4. Bentik Organizmalar

Çalışma alanındaki denizsel bentik omurgasız balık türleri, faaliyet alanı ve yakın çevresinde yaptığımız dalışlar ve görüntüleri ile literatür taramaları sonucu tespit edilmiştir. Planlanan çalışma alanı ve yakın çevresinde yaşayan ve bulunma ihtimali olan denizsel omurgasızlara ait 39 tür tespit edilmiştir. Bu türlerden *Pinna Nobilis* türü dışındakiler ulusal ve uluslararası koruma sttusü olan türler değildir. *Pinna Nobilis* türünün zarar görmemesi için özel çalışma metodolojisi planlanmıştır.

- Taşıma yapılacak kesim toplama yapmadan önce tespit edilmeli ve bu alanlarda bireylerin zemine gömülecekleri yerler dalgıçlar tarafından hazırlanmalıdır.
- Balıkçılık faaliyetlerinin yasak olduğu ve antropojenik faktörlerin az olduğu yerler başta olmak üzere, nakil alanlarında "Özel Koruma Alanları" oluşturulmalıdır.
- Toplanacak bireylerin bulunduğu ekoloji derinlikleri önceki alanlarla aynı niteliklerde olmalıdır.
- Sualtı gözlem tekniği ile çalışma sahası ve etki alanındaki *Pinna nobilis* türünün sayısı ve taşınacak *nobilis* türünün sayısı tespit edilmelidir.
- Taşımadan önce, bir cetvel yardımı ile tüm *Pinnaların* fiziksel özellikleri tespit edilmelidir.
- Kabuğa zarar verilmeden kuma gömülü kısımları çıkarılarak elle toplanmalıdır.
- Toplanan bireyler özel taşıma usulüne göre ya su altından, ya da tekneye alınarak özel filelerle taşınmalıdır.
- Tekne ile taşınacaksa Deniz suyu içeren kaplarla zaman kaybetmeden taşınmalıdır.
- Taşıma noktasına getirilen örnekler alındığı derinliklere göre tekrar aynı derinliğe getirilerek tekrar kuma gömülmelidir.
- Metrekareye en fazla 3 adet *pinna nobilis* koyumlandırılmalıdır.
- Taşınan bireylerin koordinatları alınarak, popülasyon ve bireylerin gelişimi 2 yıl süreyle takip edilmelidir.



Resim 1



Resim 2



Resim 3



Resim 4

2.1.5. Balıklar

Türkiye’ de yaşayan 512 balık türünün 257 adedi Marmara Deniz’nde yayılış göstermektedir. Planlanan çalışma alanında 31 adet balık türü tesbit edilmiştir.

	Tür	Türkçe Adı	Gözlem	Literatür
1	<i>Dicentrarchus labrax</i>	Levrek	+	
2	<i>Gaidropsarus mediterraneus</i>	Gelincik		+
3	<i>Gobius sp</i>	Kayabalı"ğı		+
4	<i>Gobius niger</i>	Kömürcü kayabalığı		+
5	<i>Liza sp</i>	Kefal	+	
6	<i>Mugil cephalus</i>	Kefal	+	+

- +
- +
- +
- +

7 .	<i>Mullus sp</i>	Tekir		
8 .	<i>Ophidion rochei</i>	Kayış balığı		
9 .	<i>Parablennius sanguinolentus</i>	Horozbina		
1 0 .	<i>Parablennius zvonimiri</i>	Horozbina		
1 1 .	<i>Platichthys flesus</i>	Pisi balığı		
12.	<i>Raja sp</i>	Vatoz		
13.	<i>Dasyatis pastinaca</i>	Vatoz	+	
14.	<i>Sciaena umbra</i>	Eşkına		+
15.	<i>Scorpaena porcus</i>	iskorpit		+
16.	<i>Solea solea</i>	Dil balığı		+
17.	<i>Symphodus tinca</i>	Çırçır balığı	+	-
18.	<i>Syngnathus sp</i>	Deniz iğnesi	-	+
19.	<i>Trachurus mediterraneus</i>	İstavrit	-	+
2 0 .	<i>Uranoscopus scaber</i>	Kurbağa balığı	-	+
2 1 .	<i>Pomatomus saltatrix</i>	Lüfer	-	+
2 2 .	<i>Sarda sarda</i>	Palamut	-	+
2 3 .	<i>Atherina boyeri</i>	Gümüş	+	-

24.	<i>Merlangius merlangius</i>	Mezgit	-	+
25.	<i>Diplodus sargus</i>	Sargoz	+	-
26.	<i>Diplodus vulgaris</i>	Karagöz	+	-
27.	<i>Diplodus puntazzo</i>	Dikburun karagöz	+	-
28.	<i>Spicara smaris</i>	İzmarit	+	-
29.	<i>Triglia lucerna</i>	Kırlangıç	-	+
30.	<i>Boops boops</i>	Kupes	-	+
31.	<i>Dentex dentex</i>	Sinarit	-	+

2.1.6. Deniz Kaplumbağaları

Planlanan çalışma sahası içinde deniz kaplumbağalarının çıkabileceği herhangi bir yapıya rastlanmamıştır.

2.1.7. Deniz Memelileri

Sualtı Araştırma Derneği'nin (SAD-AFAG) yaptığı çalışmalara göre; Akdeniz fokları, Marmara'da Kapıdağ Yarımadası, Marmara Adaları ve Karabiga Bölgesi'nde yaşamaktadır. Akdeniz fokları genel olarak insan faaliyetlerinin olmadığı yerleri yaşam alanı olarak seçer. Özellikle denizden girişi olan mağaralı, kayalık alanlar başlıca yaşam alanlarıdır. Proje alanı, Akdeniz fokunun Marmara'daki dağılım gösterdiği yere oldukça uzaktır. Proje alanında Akdeniz fokunun habitat olarak kullanabileceği ortam bulunmamaktadır.

3. SONUÇLAR

Proje Çalışmaları İle Denizsel Ekosisteme İlişkin Risk-Etki-Önleyici /Azaltıcı Tedbirler.

3.1. Çelik Kazıkların Yerleştirilmesi Etkileri

- Su kütlesi içinde artan bulanıklık, su kalitesi değerlerinde bir değişime neden olabilir.
- Sedimende birikmiş olan birçok kirletici su kütlesine karışabilir.
- Sedimenin su kütlesine karışması sucul canlıların özellikle balıkların solungaç sistemleri üzerine yapışarak solunum mekanizmalarını olumsuz etkileyebilir.

Önleyici/Azaltıcı Tedbir

- İskele ayaklarının çakılması çalışmaları uygun olmayan rüzgar ve dalga koşullarında yapılmamalıdır.
- Denizsel biyolojik aktivitenin çok olduğu dönemlerde çalışma yapılmamalıdır.(15 Nisan-15 Ağustos)
- Denizle etkileşime girmeyecek, çözünme olmayacak uygun dayanımda malzeme kullanılacaktır.
- Çelik kazıklar günün belli bir saatinde çakılacak,mümküm oldukça hidrolik basınçla bu işleme devam edilecektir.

3.2. Dolgu Anroşmanlarının Yerleştirilmesi Etkileri

- Su kütlesi içinde artan bulanıklık, su kalitesi değerlerinde bir değişime neden olabilir.
- Sedimende birikmiş olan birçok kirletici su kütlesine karışabilir
- Bulanıklığa neden olan partiküller balıkların solungaç sistemleri üzerine yapışarak solunum mekanizmalarını olumsuz etkileyebilir.
- Bulanıklık ışığın dip kısımlara, makro ve mikro alglere ulaşmasını engelleyebilir.
- Bulanıklık olan denizde ışık alglere gitmediğinde fotosentez olmaz,suda çözünmüş oksijen azalır, azot-fosfor dengesi ozulur ve buda müsülaj oluşumuna sebebiyet verir.

Önleyici/Azaltıcı Tedbir

- Dolguda kullanılacak malzemenin içeriği dış etkilere karşı dayanıklı ve sert bir malzeme olması gerekmektedir. Malzeme suda çözünmemeli ve toksik ağır metalleri ve bazı kimyasalları içermemelidir.
- Kum bulutunun etkilerini önlemek veya azaltmak için silt perdeleri kullanılmalıdır
- Denizsel biyolojik aktivitenin çok olduğu dönemlerde çalışma yapılmamalıdır.(15 Nisan-15 Ağustos)
- Dolgu çalışmaları uygun olmayan rüzgar ve dalga koşullarında yapılmamalıdır.
- Dolgu alanların denizdeki sınırlarını oluşturan kesimlerdeki dolgular tamamlanarak bir set çekilmeli v ardından bu set ile kıyı kesimi arasındaki bölüm doldurulmalıdır.
- Mümkün olan en az sınırlı alanda dolgu yapılmaya çalışılmalı, planlanan alanların dışında gereksiz müdahalelere izin verilmemelidir.

3.3. Deniz Altındaki Çalışmalar İle Gemi Pervanelerinden Kaynaklı Gürültü ve Titreşim,

- İnşaat çalışmaları sırasında oluşacak titreşim ve gürültü etkisi denizsel olurgahlarda akciğer üzerine etkileri, karaya vurma eş bulma, geçici yada kalıcı işitme kaybı olabilir.

Önleyici/Azaltıcı Tedbir

- Pervanelerden kaynaklanan su jeti etkisinin minimize edilmesi için seyir hattındaki deniz taşıtlarının en düşük hız v pervane etkisi ile iskele yavaşmaları sağlanmalıdır.

-

3.4.Liman Projesi İle Artacak Olan Gemi Trafiklerinden Kaynaklı Kirlilik

- Deniz ekosistemine girebilecek organik ve inorganik kirlilik yükü artabilecektir.

Önleyici/Azaltıcı Tedbir

- - Olabilecek kaza risklerine karşı ilgili yönetmelikler
- kapsamında gerekli tedbirler alınmalıdır.
- - Boya ve solvent gibi deniz ekosistemi için tehlikeli atıklar belli alanlarda toplanmalı ve akredite olmuş depo ve bertaraf tesislerine ulaştırılmalıdır.
- -Katı atıklar kesinlikle denize atılmamalı ve düzenli toplama sistemi ile günlük olarak alınarak belediyenin öngördüğü yerlere atılmalıdır.
- - Liman alanında, sınıra suyunun liman içine ve yakın kesimlerine boşaltılmasına kesinlikle izin verilmemeli ve bu suların toplanabildiği sistemler bulundurulmalıdır.
- - Liman alanında, evsel atıksuların boşaltılmasına izin verilmemeli ve çevre yönetimi kapsamında bu atıklar pompalar ile alınarak ilgili yönetmelikler gereği bertaraf edilmelidir.
- - Liman alanında çeşitli faaliyetler sonucu oluşabilecek kirlenici faktörlerin alanına girmesine izin verilmemelidir.

DESIGN OF DUAL ACTIVE BRIDGE CONVERTER BASED ON PID CONTROL METHOD

Necati ÇAKIR

Ankara Yıldırım Beyazıt University, Department of Electrical and Electronics Engineering, Ankara

ORCID ID: 0000-0001-8830-062X

Ahmet KARAARSLAN

Ankara Yıldırım Beyazıt University, Department of Electrical and Electronics Engineering, Ankara

ORCID ID: 0000-0002-4629-3297

ABSTRACT

This study introduces a Dual Active Bridge (DAB) topology system employing a PID control method, designed for the stable regulation of the system under varying input voltages and loads. DAB converters have emerged as crucial topologies for bidirectional power transfer in modern systems, finding extensive applications in electric vehicle charging systems, renewable energy sources, and energy storage systems. The widespread adoption of the dual active bridge topology in these applications is attributed to its bidirectional power transfer capabilities and galvanic isolation. Existing literature primarily focuses on enhancing the efficiency of DAB converters. With the integration of modern components such as SiC and GaN semiconductor switching elements operating at high frequencies, along with the utilization of planar transformers, compact designs of DAB converters have become feasible, enabling high power capacity and efficiency within smaller volumes. The controller aims to ensure stable system operation in both voltage and power modes. Simulation tests were conducted to evaluate the system's performance during voltage variation processes to 380V input voltage, with output voltage values set to 48V and 28V. Furthermore, tests were executed to elevate the 48V or 28V output voltage back to 380V on the input side. The analyses of these tests were carried out using simulation programs, including MATLAB-Simulink and PLECS programs.

Keywords: Dual Active Bridge, DAB, PID Control, Bidirectional Power Transfer, SiC, GaN, Charging Systems, Renewable Energy Sources.

PID KONTROL METODU İLE ÇİFT AKTİF KÖPRÜ DÖNÜŞTÜRÜCÜ TASARIMI

ÖZET

Bu çalışma, değişken giriş voltajları ve yükler altında sistemi istikrarlı bir şekilde düzenlemek amacıyla tasarlanmış PID kontrol yöntemini kullanarak Çift Aktif Köprü (ÇAK) topoloji sistemini tanıtır. ÇAK dönüştürücüler, çift yönlü güç transferi için modern sistemlerde kritik topolojiler olarak ortaya çıkmış olup, elektrikli araç şarj sistemleri, yenilenebilir enerji kaynakları ve enerji depolama sistemleri gibi alanlarda geniş uygulama bulmuştur. Bu uygulamalardaki çift aktif köprü topolojisinin yaygın olarak benimsenmesi, çift yönlü güç transferi yetenekleri ve galvanik izolasyon özelliklerine dayandırılmaktadır. Mevcut literatür genellikle ÇAK dönüştürücülerin verimliliğini artırmaya odaklanmaktadır. SiC ve GaN yarıiletken anahtar elemanlarının yüksek frekansta çalışması gibi modern bileşenlerin entegrasyonu ve düz transformatörlerin kullanımıyla, ÇAK dönüştürücülerin kompakt tasarımları mümkün hale gelmiş, daha küçük hacimlerde yüksek güç kapasitesi ve verimlilik elde edilebilmiştir. Kontrol metodu hem gerilim hem de güç modlarında sistemin istikrarlı çalışmasını sağlamayı amaçlamaktadır. Benzetimsel testler, sistem performansının 380V giriş gerilimine kadar değişim süreçlerinde, çıkış değerlerinin 48V ve 28V olarak ayarlandığı durumlarda değerlendirildi. Ayrıca, çıkış tarafından alınan 48V veya 28V gerilim giriş tarafında tekrar 380V' a yükseltilmesi için testler gerçekleştirildi. Bu testlerin analizleri, MATLAB-Simulink ve PLECS programları dahil olmak üzere simülasyon programları kullanılarak yapıldı.

Anahtar Kelimeler: Çift Aktif Köprü, ÇAK, PID Kontrol, Çift Yönlü Güç Aktarımı, GaN, SiC, Şarj Sistemleri, Yenilenebilir Enerji Kaynakları.

1.INTRODUCTION

The demand for Dual Active Bridge converters is increasing day by day. Capabilities such as wide voltage transfer ratio, high efficiency ratio, ability to operate at high frequencies, high power transfer, isolation, zero voltage switching and especially bidirectional power transfer have made Dual Active Bridge converters indispensable in the sector in recent years[1]. Dual Active Bridge converters are widely used in electric vehicle charging systems, integration of renewable energy systems with the grid, battery energy storage systems, data centers and server farms, and industrial applications requiring high power and efficiency[3]. In Dual Active Bridge converter topology, as the name suggests, there are two Full Bridge structures, one on the primary side and one on the secondary side, and bidirectional energy transfer can be provided

with these two full bridge structures[3]. With its zero voltage switching feature, it can switch at high frequencies, thus providing higher power transfer in smaller dimensions. Thanks to the zero voltage switching feature, switching losses are minimized and power losses on switching elements are eliminated, enabling the converter to operate at high efficiency rates. In the dual active bridge converter topology, the full bridges on the primary and secondary sides are switched with 50% duty cycle at the same and constant frequency[2]. The power transfer from one side to the other is controlled by regulating the voltage applied to the series inductor by adjusting the time shift (phase shift) between the switching signals applied to the full bridges on the primary and secondary side[10]. This is the operating principle of DABs.

A controller with a PI controller structure is used to operate the system stably. Proportional-Integral (PI) regulation finds wide application in power electronics systems due to its simplicity and efficiency. This method combines a proportional factor (P) with an integral factor (I). The proportional factor reacts to disparities between the targeted output value and the actual output value, while the integral factor accumulates errors over time[9]. The PI controller regulates the control signal according to the sum of the above mentioned components. While the proportional factor responds quickly to evolving errors, the integral factor eliminates persistent errors and ensures that the desired output value is maintained continuously[15]. PI controllers are suitable for systems with small disturbances and slow dynamics.

In this study, a PID control based Dual Active Bridge converter design is introduced to stabilize the system under varying input voltage and output loads.

2. RESEARCH AND SIMULATIONS

2.1. Simulation Studies

In the simulation studies, a pair of active bridge converters that can operate in power and voltage control modes were designed. In the power mode control structure, current and voltage readings are taken from the LV side of the DAB. For power mode control, the measured current and voltage values are multiplied to obtain the power drawn from the circuit. Since the topology can conduct bidirectional current, the current value can be negative, so the result of multiplying the voltage and current values is converted into an absolute value. The absolute power value obtained is compared with the reference power value and passed through an error amplifier. The error result is then sent to the PI controller. According to the P and I coefficients determined in the PI controller, a phase shift angle is generated and this value is sent to the phase shift

module. After the value processed in the phase shift module, gate signals are generated separately for the HV bridge and LV bridge and all bridges are switched.

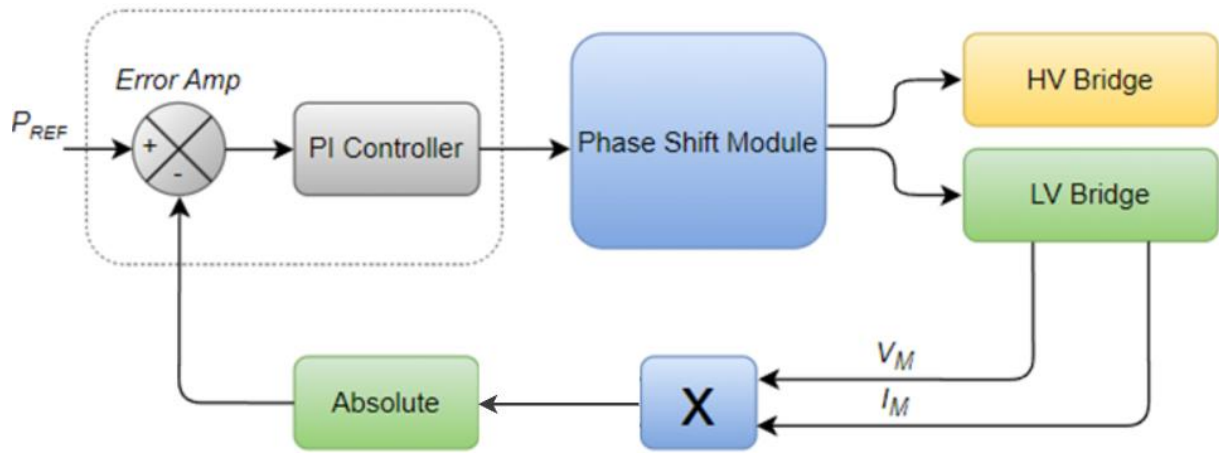


Figure 1- Block Diagram of Power Mode Controller

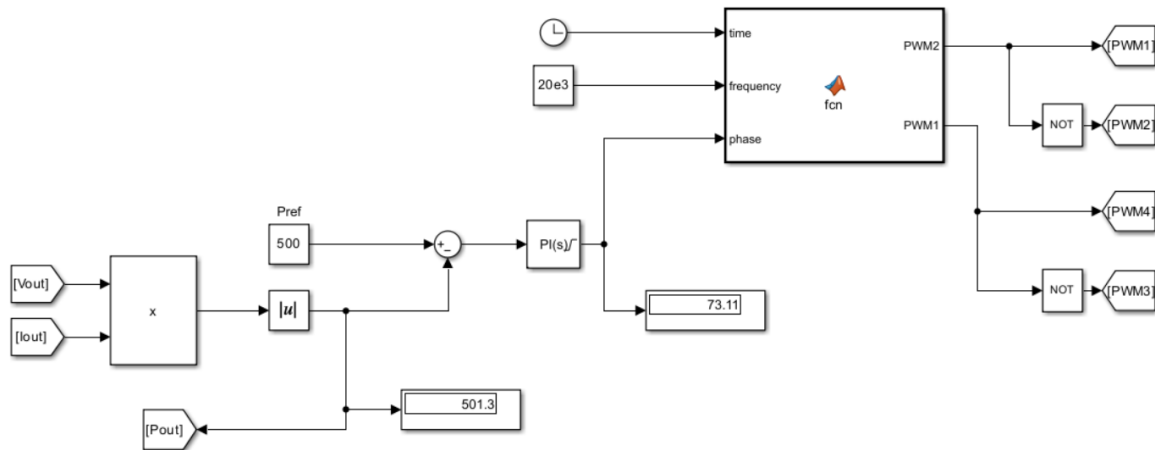


Figure 2- Power Mode Controller on MATLAB-Simulink

For voltage mode control, the voltage reading is taken from the LV side of the DAB. The voltage value obtained is compared with the reference voltage value and passed through an error amplifier. The error result is then sent to the PI controller. A phase shift angle is generated according to the P and I coefficients determined in the PI controller and this value is sent to the phase shift module. After the value processed in the phase shift module, gate signals are

generated separately for the HV bridge and LV bridge and the full bridges are switched.

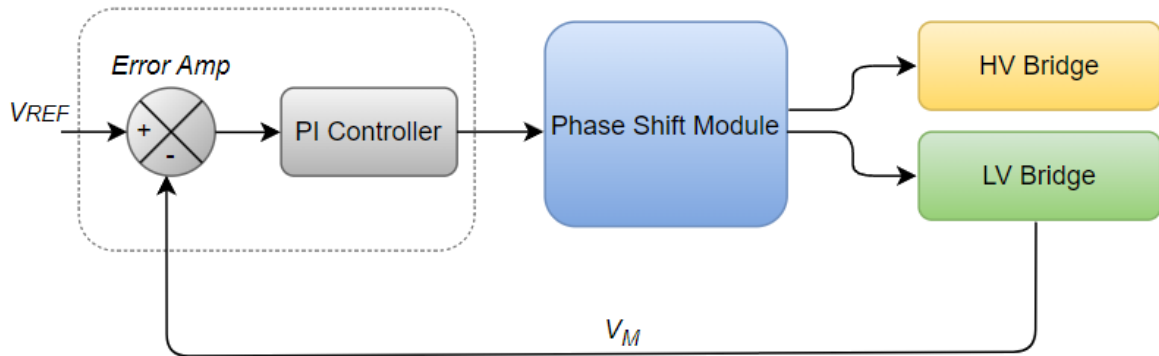


Figure 3- Block Diagram of Voltage Mode Controller

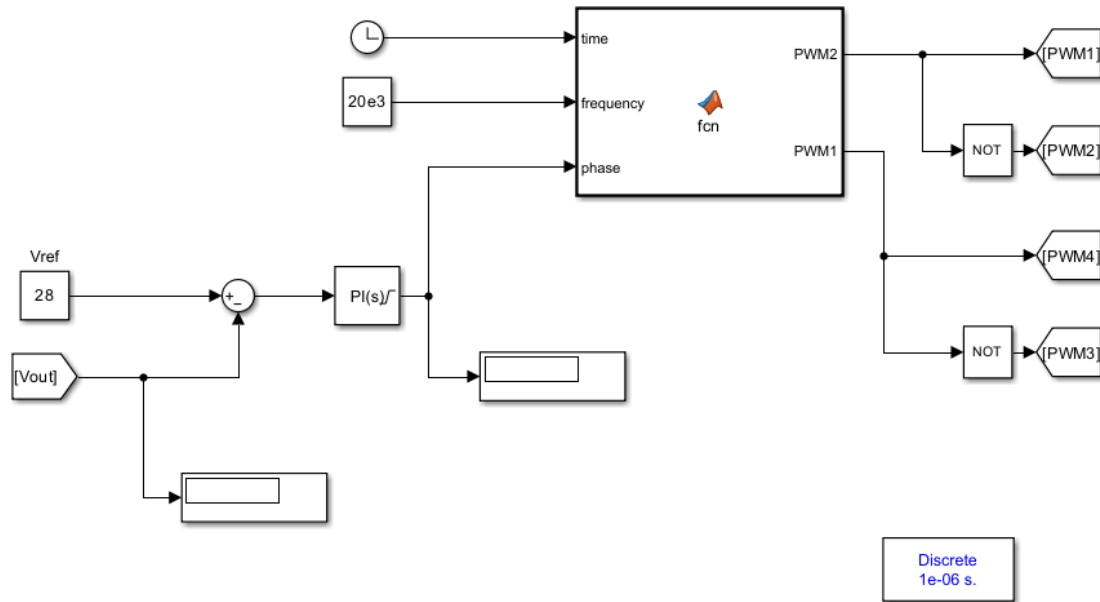


Figure 4- Voltage Mode Controller on MATLAB-Simulink

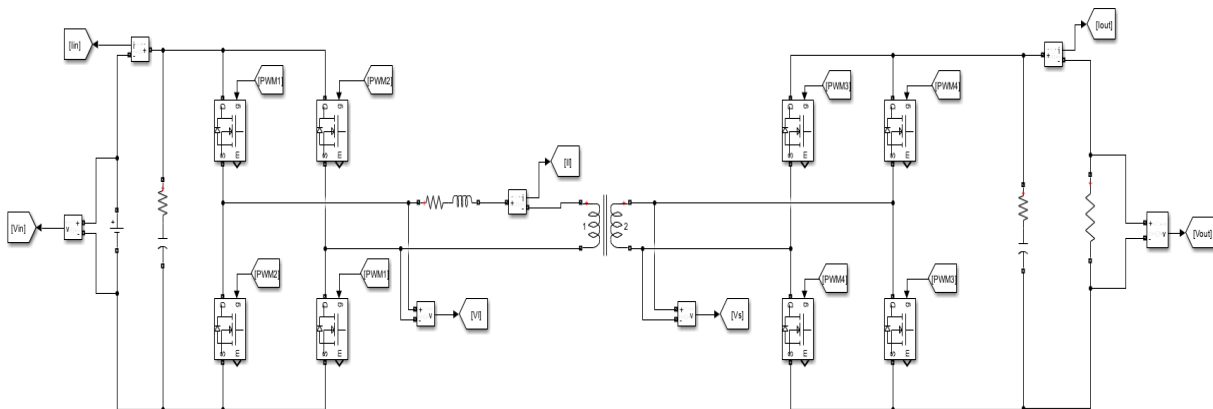


Figure 5- Dual Active Bridge Circuit on MATLAB-Simulink

In the simulation studies, a Dual Active Bridge converter with 500W output power and 20kHz switching frequency was designed on MATLAB-Simulink program. The designed circuit parameters are given in the table below.

Parameter	Value
High Side Voltage	200 - 400V
Low Side Voltage	28 - 48V
Switching Frequency	20kHz
Inductor	Inductance: 1.6mH DCR: 100mΩ
Transformer Turn Ratio	8:1
High Voltage Side Capacitor	340uF
Low Voltage Side Capacitor	2000uF

Table 1- Circuit Parameters

The circuit created on the Matlab-Simulink program was tested in both power mode and voltage control mode with variable input and output voltages and variable output loads.

2.2 Simulation Results

2.2.1 Power Mode Control

In power control mode, simulations were performed at two different output powers, 500W and 250W. According to the results obtained, the system can be successfully controlled by PI controller according to different reference values. The simulation parameters and results are given below.

Simulation 1

$V_{in} = 300V$, $R_{load} = 10 \text{ Ohm}$, $P_{ref} = 500W$

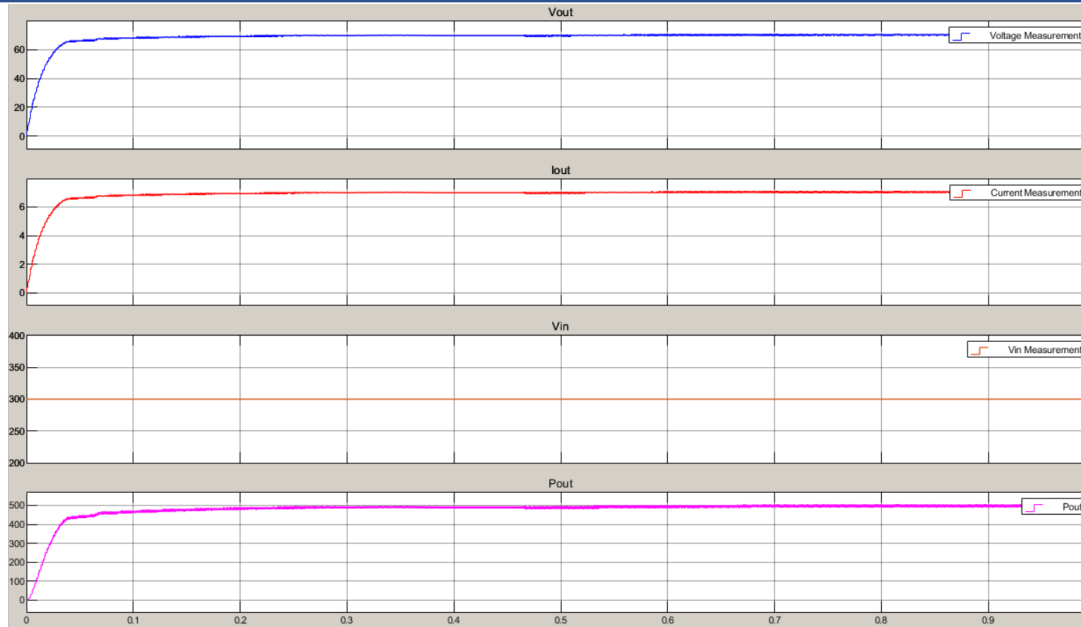


Figure 6 - Pref = 500W, Simulation Result

A reference power value of 500W is given to the system. Looking at the “P_{out}” graph in Figure 6, it is seen that the system reaches 500W without any overshoot and oscillation. The PI controller structure works stably according to the values given in power mode.

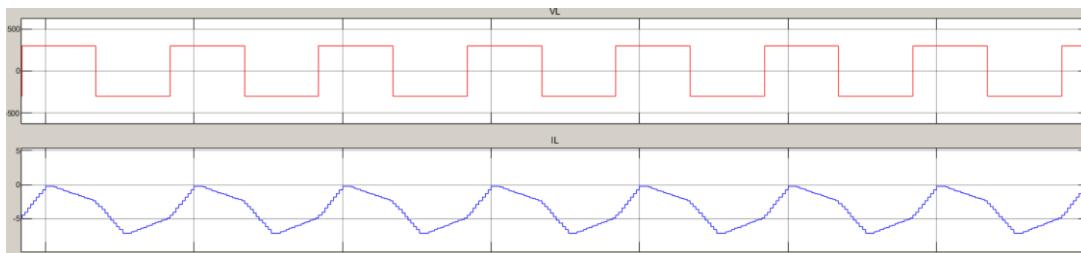


Figure 7 - Inductor Voltage and Current Graphic

Looking at the VL inductor voltage graph in Figure 7, it is observed that the input voltage waveform falling on the inductor regularly takes positive and negative values due to switching with 50% duty ratio. Looking at the IL inductor current graph, it is observed that the inductor charges and discharges smoothly according to the phase difference between the switching signals of the primary and secondary sides.

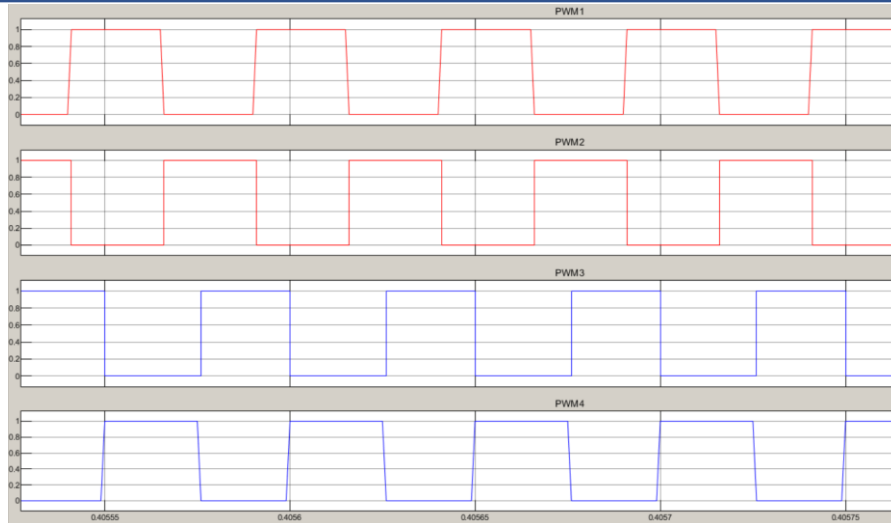


Figure 8 - PWM Outputs

Looking at Figure 8, PWM1 and PWM2 are the outputs of the primary side gate signals while PWM3 and PWM4 are the outputs of the secondary side gate signals. As can be seen from the graphs, there is a phase difference created by the Phase Shift Module on the primary and secondary side.

Simulation 2

$V_{in} = 300V$, $R_{load} = 8\ \Omega$, $P_{ref} = 250W$

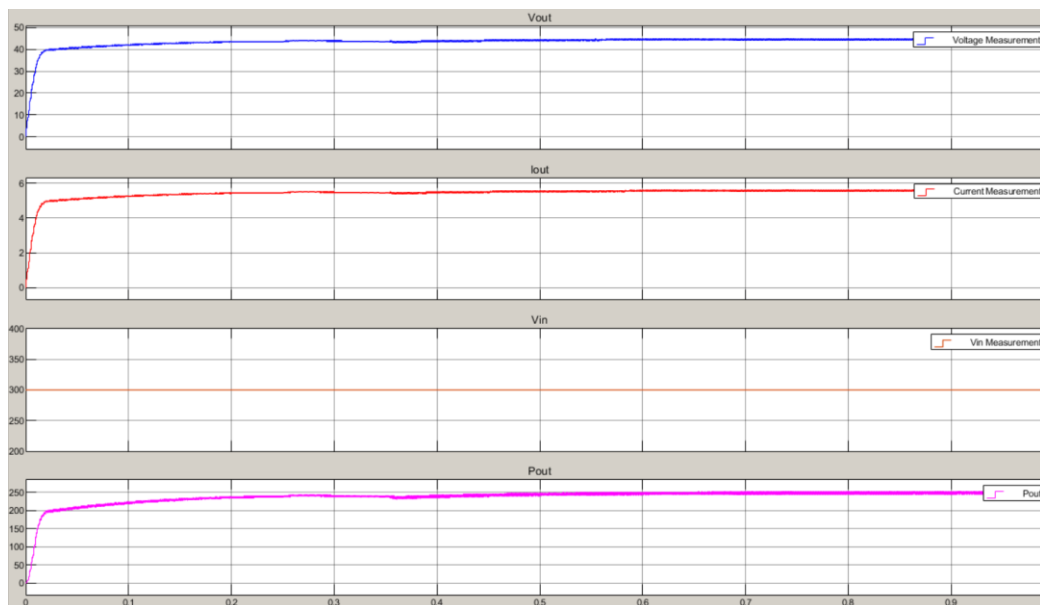


Figure 9 - $V_{in} = 300V$, $P_{ref} = 250W$, Simulation Result

A reference power value of 250W is given to the system. Looking at the “ P_{out} ” graph in Figure 9, it is seen that the system reaches 250W without any overshoot and oscillation. The PI controller structure works stably according to the values given in power mode.

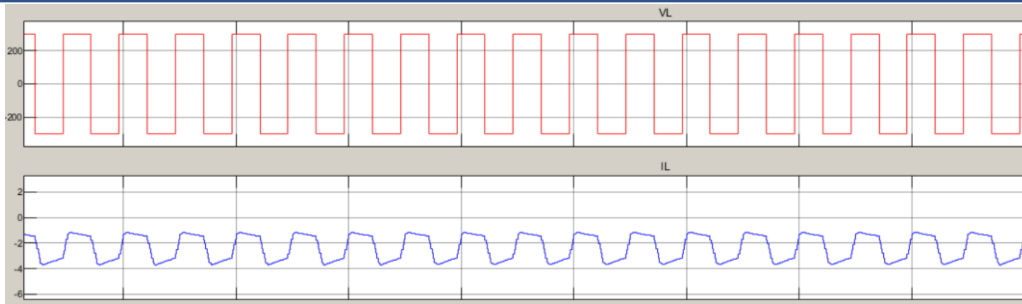


Figure 10 - Inductor Voltage and Current Graphic

Looking at the VL inductor voltage graph in Figure 10, it is observed that the input voltage waveform falling on the inductor regularly takes positive and negative values due to switching with 50% duty ratio. Looking at the IL inductor current graph, it is observed that the inductor charges and discharges smoothly according to the phase difference between the switching signals of the primary and secondary sides.

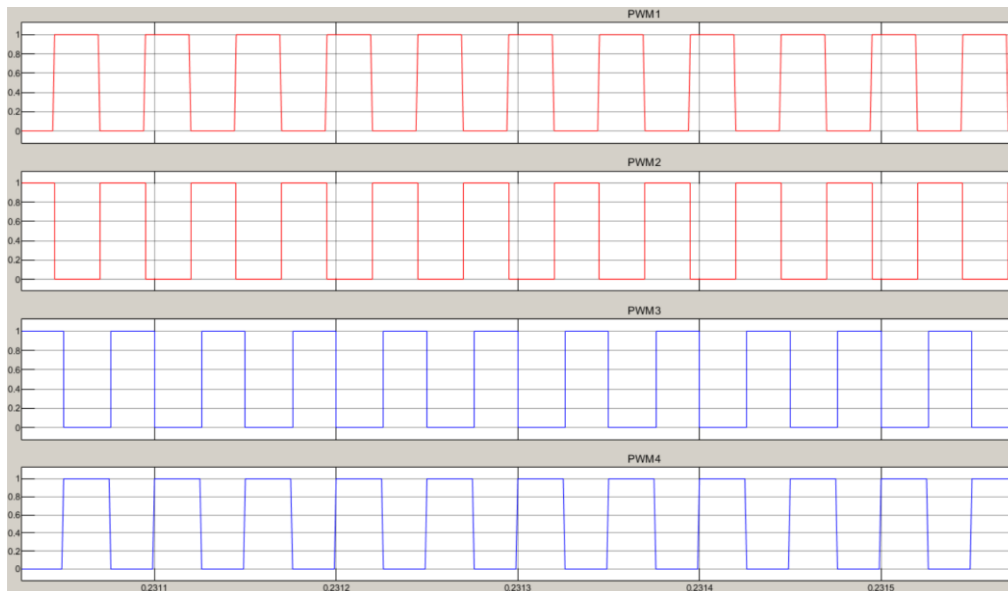


Figure 1 - PWM Outputs

Looking at Figure 11, PWM1 and PWM2 are the outputs of the primary side gate signals while PWM3 and PWM4 are the outputs of the secondary side gate signals. As can be seen from the graphs, there is a phase difference created by the Phase Shift Module on the primary and secondary side.

2.2.2 Voltage Mode Control

In voltage control mode, simulations were performed for two different output values, 28V and 48V. According to the results obtained, the system can be successfully controlled by PI

controller according to different reference values. The simulation parameters and results are given below.

Simulation 3

$V_{in} = 380V$, $R_{load} = 10\text{ Ohm}$, $V_{ref} = 28V$

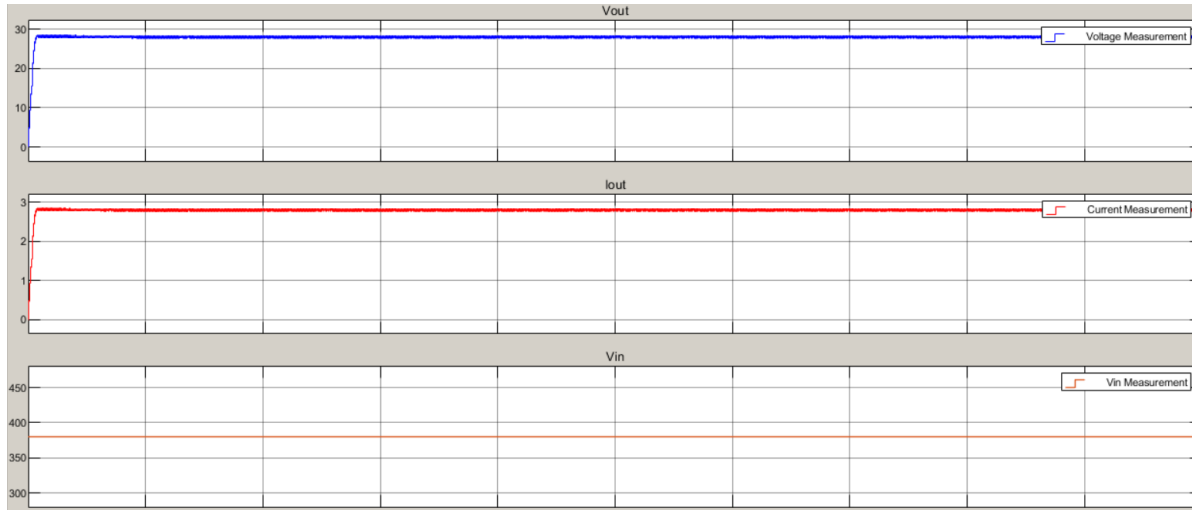


Figure 2 - $V_{in} = 380V$, $V_{ref} = 28V$, Simulation Result

A reference voltage value of 28V was given to the system for voltage control. Looking at the "Vout" graph in Figure 12, it is seen that the system reaches the 28V voltage value without any overshoot and oscillation. The PI controller structure works stably according to the reference values given in voltage mode.

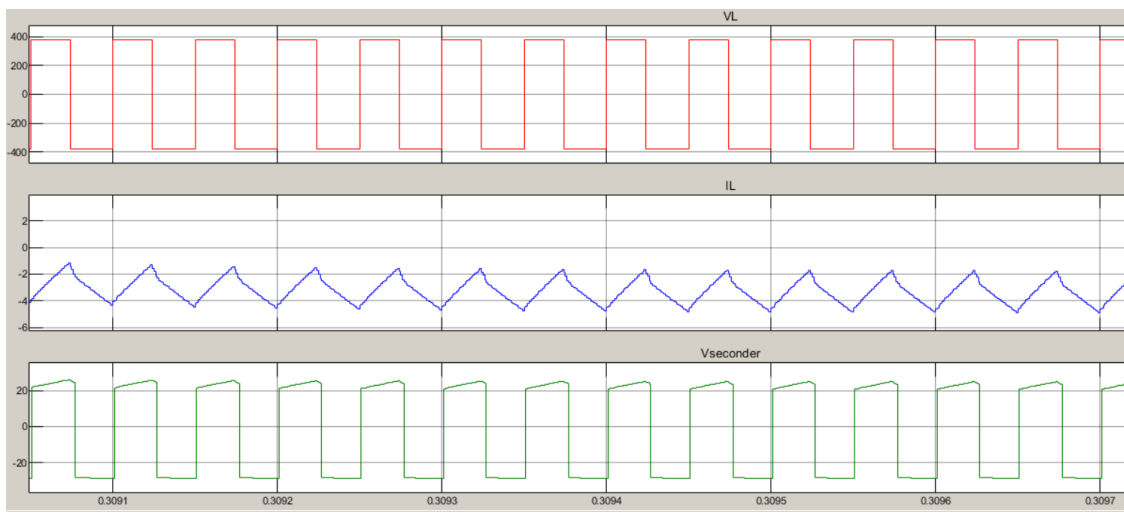


Figure 3 - Inductor Voltage and Current Graphic

Looking at the VL inductor voltage graph in Figure 13, it is observed that the input voltage waveform falling on the inductor regularly takes positive and negative values due to switching

with 50% duty ratio. Looking at the IL inductor current graph, it is observed that the inductor charges and discharges smoothly according to the phase difference between the switching signals of the primary and secondary sides.

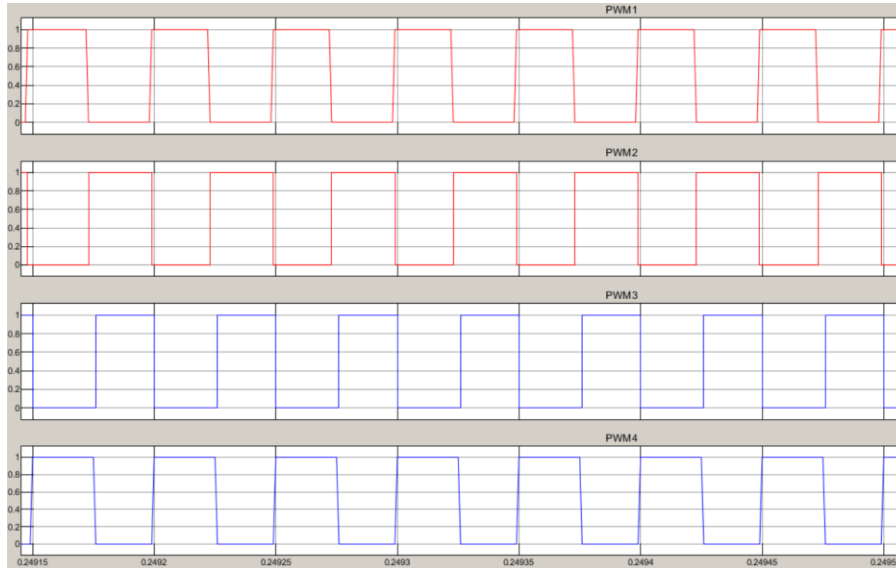


Figure 4 - PWM Outputs

Looking at Figure 14, PWM1 and PWM2 are the outputs of the primary side gate signals while PWM3 and PWM4 are the outputs of the secondary side gate signals. As can be seen from the graphs, there is a phase difference created by the Phase Shift Module on the primary and secondary side.

Simulation 4

$V_{in} = 380V$, $R_{load} = 10 \text{ Ohm}$, $V_{ref} = 48V$

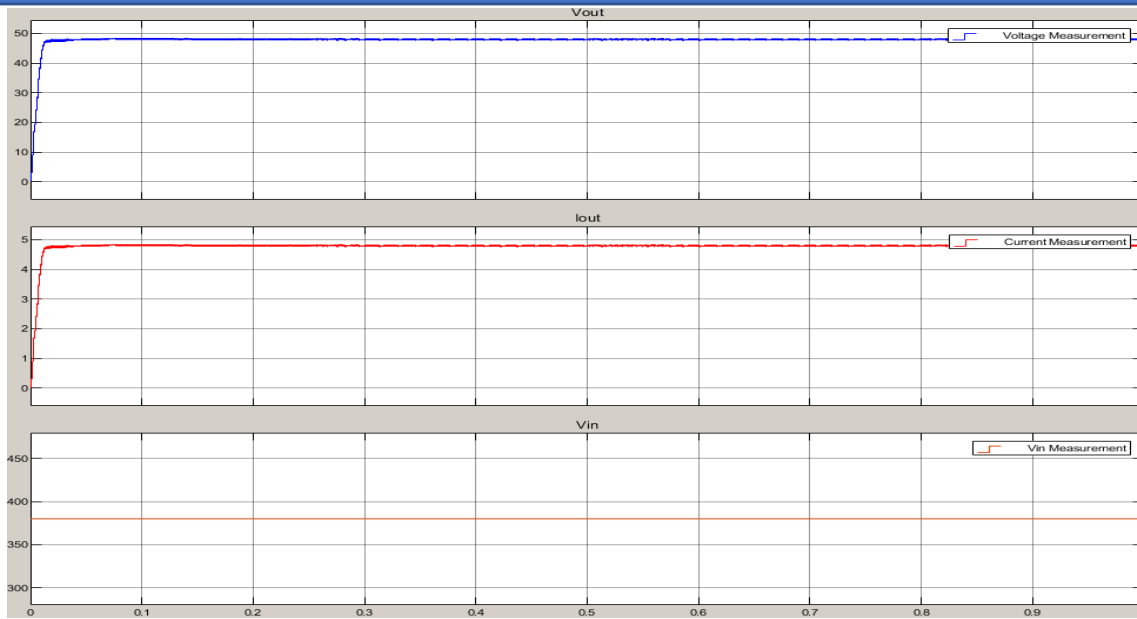


Figure 5 - $V_{in} = 380V$, $V_{ref} = 48V$, Simulation Result

A reference voltage value of 48V was given to the system for voltage control. Looking at the "Vout" graph in Figure 15, it is seen that the system reaches the 48V voltage value without any overshoot and oscillation. The PI controller structure works stably according to the reference values given in voltage mode.

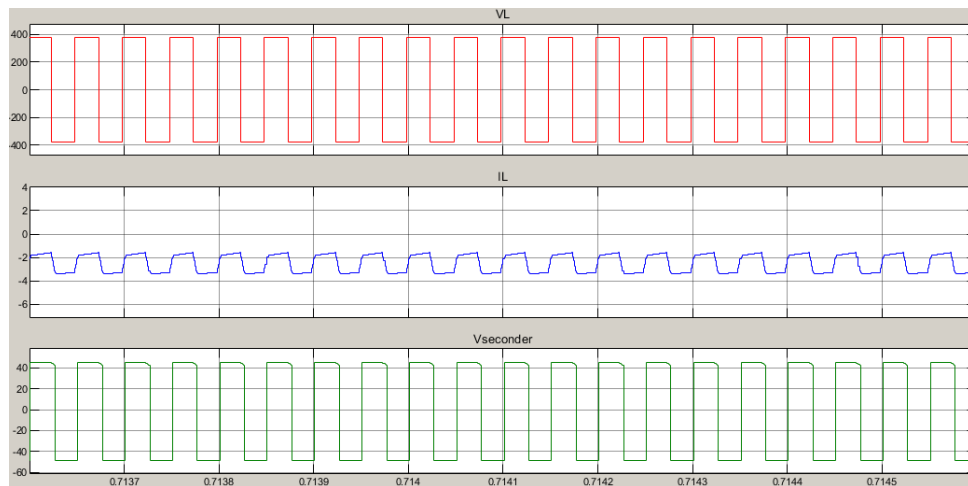


Figure 6 - Inductor Voltage and Current Graphic

Looking at the VL inductor voltage graph in Figure 16, it is observed that the input voltage waveform falling on the inductor regularly takes positive and negative values due to switching with 50% duty ratio. Looking at the IL inductor current graph, it is observed that the inductor charges and discharges smoothly according to the phase difference between the switching signals of the primary and secondary sides.

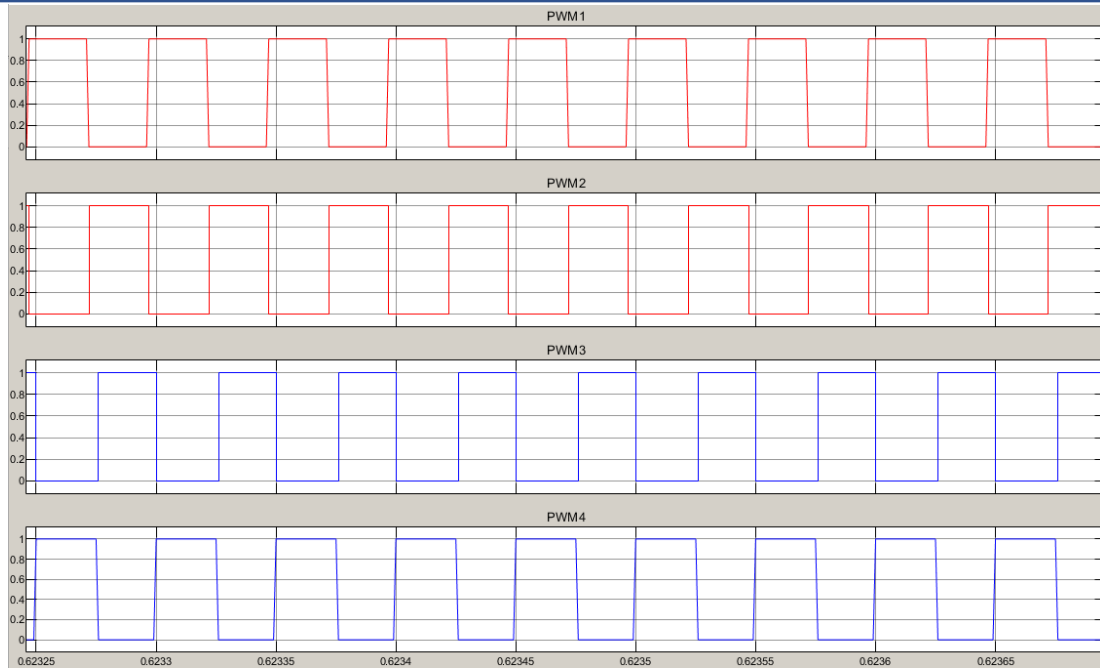


Figure 7 - PWM Outputs

Looking at Figure 17, PWM1 and PWM2 are the outputs of the primary side gate signals while PWM3 and PWM4 are the outputs of the secondary side gate signals. As can be seen from the graphs, there is a phase difference created by the Phase Shift Module on the primary and secondary side.

3. CONCLUSION

In the simulation studies, the designed dual active bridge converter structure was tested in two different modes: power and voltage control mode. In the power mode tests, 300V input voltage was applied to the system and two different output loads of 250W and 500W were controlled. According to the simulation results obtained, the PI controller structure successfully controls the system stably at different output loads without any overshoot and oscillation. The system reaches the target value in <250ms. In the voltage mode, the system was tested for 380V input voltage and two different output values, 28V and 48V output voltages. As a result of the tests, it was observed that the PI controller structure controls the system stably in voltage mode without any overshoot and oscillation. The stabilization time of the system in voltage mode was observed as <50ms.

As a result, it is observed that a dc-dc converter with dual active bridge topology controlled by PI controller can operate smoothly at various input voltages, various output loads and different control modes.

REFERENCES

- [1] D. Das, S. Mishra and B. Singh, "Design Architecture for Continuous-Time Control of Dual Active Bridge Converter," in *IEEE Journal of Emerging and Selected Topics in Power Electronics*, vol. 9, no. 3, pp. 3287-3295, June 2021, doi: 10.1109/JESTPE.2020.3000340.
- [2] Alemanno, A.; Morici, R.; Pretelli, M.; Florian, C. Design of a 7.5kW Dual Active Bridge Converter in 650 V GaN Technology for Charging Applications. *Electronics* 2023, 12, 1280.
- [3] Y. V. Pushpalatha and D. Peftitsis, "Design of Dual Active Bridge Converters with SiC MOSFETs for minimized reflow power operation," 2021 IEEE 12th Energy Conversion Congress & Exposition - Asia (ECCE-Asia), Singapore, Singapore, 2021, pp. 574-579, doi: 10.1109/ECCE-Asia49820.2021.9479059.
- [5] George, Kenny, "Design and Control of a Bidirectional Dual Active Bridge DC-DC Converter to Interface Solar, Battery Storage, and Grid-Tied Inverters" (2015).
- [6] Z. Ortatepe And A. Karaarslan, "The performance analysis of AC-DC bridgeless converter using fuzzy self-tuning and comparing with PI control method," *Journal of Intelligent and Fuzzy Systems*, vol.35, no.4, pp.4629-4642, 2018
- [7] A. Karaarslan And E. Köseoğlu, "MODIFIED BI-DIRECTIONAL CUK CONVERTER FOR CELL BALANCING USING PI AND FUZZY LOGIC CONTROL METHOD," *Journal of Optimization and Decision Making*, vol.2, no.2, pp.1-5, 2023
- [8] M. Bindi et al., "Comparison Between PI and Neural Network Controller for Dual Active Bridge Converter," 2021 IEEE 15th International Conference on Compatibility, Power Electronics and Power Engineering (CPE-POWERENG), Florence, Italy, 2021, pp. 1-6, doi: 10.1109/CPE-POWERENG50821.2021.9501168.
- [9] A. KARAARSLAN, "Modeling and Performance Analysis of Cuk Converter using PI and OCC Method," *International Journal on Technical and Physical Problems of Engineering*, vol.36, no.10, pp.1-5, 2018
- [10] B. M. Kumar, A. Kumar, A. H. Bhat and P. Agarwal, "Comparative study of dual active bridge isolated DC to DC converter with single phase shift and dual phase shift control techniques," 2017 Recent Developments in Control, Automation & Power Engineering (RDCAPE), Noida, India, 2017, pp. 453-458, doi: 10.1109/RDCAPE.2017.8358314.
- [11] A. Bhattacharjee and I. Batarseh, "A PI Based Simplified Closed Loop Controller for Dual Active Bridge DC-AC Converter For Standalone Applications," 2020 IEEE Applied Power Electronics Conference and Exposition (APEC), New Orleans, LA, USA, 2020, pp. 761-767, doi: 10.1109/APEC39645.2020.9124506.
- [12] A. Dash and D. De, "Dual Active Bridge - Magnetic Component Configurations for High Boost Application," 2018 2nd International Conference on Power, Energy and Environment: Towards Smart Technology (ICEPE), Shillong, India, 2018, pp. 1-6, doi: 10.1109/EPETSG.2018.8658897.
- [13] W. Xu et al., "Hardware Design and Demonstration of a 100kW, 99% Efficiency Dual Active Half Bridge Converter Based on 1700V SiC Power MOSFET," 2020 IEEE Applied Power Electronics Conference and Exposition (APEC), New Orleans, LA, USA, 2020, pp. 1367-1373, doi: 10.1109/APEC39645.2020.9124401.
- [14] D. C. Pandey, P. K. Behera and M. Pattnaik, "Steady-State Analysis of Dual Active Bridge Converter with Single Phase Shift and Dual Phase Shift Modulation," 2023 IEEE International Students' Conference on Electrical, Electronics and Computer Science (SCEECS), Bhopal, India, 2023, pp. 1-6, doi: 10.1109/SCEECS57921.2023.10062987.
- [15] H. Maruta, H. Taniguchi and F. Kurokawa, "A study on transient response of digital PID control for DC-DC converter with weighted predictions of neural network," 2015 International Conference on Renewable Energy Research and Applications (ICRERA), Palermo, Italy, 2015, pp. 1307-1311, doi: 10.1109/ICRERA.2015.7418620.

TÜRKİYE SÜRDÜRÜLEBİLİRLİK RAPORLAMA STANDARTLARI (TSRS) VE ZORUNLU SÜRDÜRÜLEBİLİRLİK RAPORLAMASINA GEÇİŞ SÜRECİ

Assoc. Prof. Dr. H. Pınar KAYA

Kırşehir Ahi Evran University, Faculty of Economics and Administrative Sciences, Department of Public Finance

ORCID ID: 0000-0002-8736-088X

ÖZET

Gelecek nesillerin kaynaklarını tüketmeden, günümüzün ihtiyaçlarını karşılamaya yönelik faaliyetler yürütmek ve bu faaliyetlerin potansiyel etkilerini kurumsal raporlar aracılığıyla kamuoyu ile paylaşmak, işletmeler açısından her geçen gün daha fazla önem kazanmaktadır. Kurumsal raporlar arasında yer alan ve Türkiye’de faaliyet gösteren işletmeler tarafından isteğe bağlı olarak hazırlanan sürdürülebilirlik raporları, 01.01.2024 tarihinden itibaren bazı işletmeler için zorunlu hale getirilmiştir. Bilgi kullanıcılarının rasyonel karar almalarında işletmelerin sadece finansal durum ve performans bilgilerinin yeterli olmaması, bu bilgilerin yanı sıra işletme faaliyetlerinin çevresel, sosyal ve yönetimsel açıdan cari ve potansiyel etkilerinin de yer aldığı sürdürülebilirlik raporlamasına olan talebi artırmıştır. Sürdürülebilirlik raporlarındaki açıklamaların küresel olarak kabul görmüş belirli bir standartta yapılmasını sağlamak ve sürdürülebilirlik raporlarına karşılaştırılabilirlik özelliği kazandırmak amacıyla Kasım 2021’de Uluslararası Sürdürülebilirlik Standartları Kurulu (ISSB) kurulmuştur. Kurul tarafından geliştirilen uluslararası sürdürülebilirlik raporlama standartları ile uyumlu “Türkiye Sürdürülebilirlik Raporlama Standartları (TSRS)” belirleme ve yayımlama yetkisi 6102 sayılı Türk Ticaret Kanunu ile Kamu Gözetimi, Muhasebe ve Denetim Standartları Kurumuna verilmiştir. Kurum, 2023 yılı sonunda almış olduğu karar ile zorunlu sürdürülebilirlik raporlaması yapacak olan işletmelerin kapsamını belirlemiştir. Uygulama kapsamına giren işletmelerin geçiş hükümleri doğrultusunda sürdürülebilirlik raporlarını standartlara uygun şekilde hazırlaması yasal düzenlemenin ilk yılı olması sebebiyle büyük önem taşımaktadır. Yapılan bu çalışmanın amacı uluslararası ve ulusal düzenlemeler çerçevesinde sürdürülebilirlik raporlamasının hangi işletmeler için ve nasıl zorunlu bir uygulama haline geldiğini ortaya koymak, işletmelerin sürdürülebilirlik raporlarında standartlara göre yer vermeleri gereken bilgileri ve işletmeler tarafından geçiş sürecinde dikkat edilmesi gereken hususları açıklamaktır. Çalışma sonuçlarının zorunlu sürdürülebilirlik raporlamasına geçiş sürecinde işletmelere yol göstermesi ve sürdürülebilirlik raporlamasının öneminin anlaşılması açısından literatüre katkı sağlaması beklenmektedir.

Anahtar Kelimeler: Sürdürülebilirlik Raporlaması, Uluslararası Sürdürülebilirlik Standartları Kurulu, Sürdürülebilirlik Raporlama Standartları.

TURKISH SUSTAINABILITY REPORTING STANDARDS (TSRS) AND THE TRANSITION PROCESS TO MANDATORY SUSTAINABILITY REPORTING

ABSTRACT

It is becoming more and more important for businesses to carry out activities to meet today's needs without depleting the resources of future generations and to share the potential effects of these activities with the public through corporate reports. Sustainability reports, which are among the corporate reports and prepared optionally by businesses operating in Turkey, have become mandatory for some businesses as of 01.01.2024. The fact that only financial status and performance information of businesses is not sufficient for information users to make rational decisions has increased the demand for sustainability reporting, which also includes current and potential environmental, social and governance impacts of business activities. The International Sustainability Standards Board (ISSB) was established in November 2021 to ensure that disclosures in sustainability reports are made to a certain globally accepted standard and to provide comparability to sustainability reports. The authority to determine and publish “Turkish Sustainability Reporting Standards (TSRS)” in line with the international sustainability reporting standards developed by the Board has been given to the Public Oversight, Accounting and Auditing Standards Authority by the Turkish Commercial Code No. 6102. With the decision taken at the end of 2023, the Authority determined the scope of businesses that will make mandatory sustainability reporting. It is of great importance for the businesses within the scope of the application to prepare their sustainability reports in accordance with the standards in line with the transition provisions, as this is the first year of the legal regulation. The aim of this study is to reveal for which businesses and how sustainability reporting has become a mandatory practice within the framework of international and national regulations, to explain the information that businesses should include in their sustainability reports according to the standards and the issues that should be taken into consideration by businesses during the transition process. The results of the study are expected to guide businesses in the transition to mandatory sustainability reporting and contribute to the literature in terms of understanding the importance of sustainability reporting.

Keywords: Sustainability Reporting, International Sustainability Standards Board, Sustainability Reporting Standards.

1. GİRİŞ

Son yıllarda özellikle dünya nüfusunun artış göstermesi ekonomik, sosyal ve çevresel açılardan birçok sorunun ortaya çıkmasına sebep olmuştur. İnsanların kendi yaşamlarını en iyi şekilde sürdürmeye çalışırken, diğer canlıların ve gelecek nesillerin yaşam haklarını ihlal eden tutum ve davranış içinde olmaları küresel ısınma, çevre, hava ve su kirliliği, kuraklık, enerji kaynaklarının ve biyoçeşitliliğin yok olması, doğal kaynakların azalması, gelir adaletsizliği, cinsiyet eşitsizliği gibi çok ciddi sorunlara yol açmıştır. İnsanlar tarafından yönetilen işletmelerin de muhasebenin temel kavramlarından biri olan sosyal sorumluluk anlayışından uzaklaşarak sadece kar elde etmek odaklı faaliyetler gerçekleştirmesi, süreci olumsuz etkilemiştir.

Sürdürülebilirliğin sağlanmasında hiç şüphesiz ki işletmeler büyük rol oynamaktadır. Sosyal sorumluluk bilincine sahip işletmeler zaman geçtikçe çevre, toplum, eğitim, çalışan hakları, şeffaflık ve hesap verilebilirlik gibi çeşitli konularda gerçekleştirdikleri faaliyetleri paydaşlara aktarmak amacıyla gönüllü olarak sürdürülebilirlik raporları hazırlamaya ve yayımlamaya başlamışlardır. Bu raporlarda işletmeler toplum yararına neler yaptıklarını ve sürdürülebilirliğe hangi açılardan katkı sağladıklarını açıklamışlardır. Sürdürülebilirlik raporları kurumsal şeffaflığın, sosyal ve çevresel performansın ve yönetim kalitesinin bir göstergesi olarak kabul edilmektedir (Özsözgün, 2012: 41).

Gönüllülük esasına göre sürdürülebilirlik raporu hazırlayan işletmelerin en yaygın Küresel Raporlama Girişimi (GRI) başta olmak üzere, Karbon Saydamlık Projesi (GDP), Uluslararası Entegre Raporlama Konseyi (IIRC), Sürdürülebilirlik Muhasebe Standartları Kurumu (SASB), İklim Açıklamaları Standartları Kurumu (CDSB) ve İklimle İlişkili Finansal Açıklamalar Görev Gücü (TCFD) çerçeve ve standartlarını esas aldıkları bilinmektedir (Göçer, 2023: 52). Bunlara Kasım 2021'de Uluslararası Sürdürülebilirlik Standartları Kurulu (ISSB) tarafından yayımlanan sürdürülebilirlik raporlama standartları da eklenmiştir.

Uzun vadeli değer yaratma odaklı, küresel olarak tutarlı ve şeffaf sürdürülebilirlik standartlarının oluşturulması, yatırımcıların daha iyi kararlar alması ve böylece ülkelerin sermaye piyasalarının güçlenmesi açısından büyük önem taşımaktadır (Dotzlaw, 2022: 1). Sürdürülebilirlik raporlarında standardizasyonu sağlamak, raporların karşılaştırılabilirliğini ve güvenilirliğini artırmak amacıyla uluslararası düzenlemeler çerçevesinde belirli ilke ve esasların ulusal düzeyde de benimsenmesi bir ihtiyaç haline gelmiştir. Bu bağlamda diğer birçok ülkede olduğu gibi ülkemizde de yasal düzenlemeler yapmaya yönelik adımlar atılmıştır.

Türkiye’de öncelikle 4 Haziran 2022 tarihli ve 31856 sayılı Resmî Gazete’de yayımlanan 7408 numaralı Kanun ile 6102 sayılı Türk Ticaret Kanunu’nun 88. maddesine fıkra eklenmek suretiyle Kamu Gözetimi, Muhasebe ve Denetim Standartları Kurumunun yetkileri artırılmıştır. Bu kapsamda uygulamada birliği sağlamak amacıyla uluslararası standartlar ile uyumlu “Türkiye Sürdürülebilirlik Raporlama Standartları” belirleme ve yayımlama yetkisi KGK’ya verilmiştir. 9 Kasım 2022 tarihli ve 32008 sayılı Resmî Gazete’de yayımlanan 7420 numaralı Kanun ile “660 sayılı Kamu Gözetimi, Muhasebe ve Denetim Standartları Kurumunun Teşkilat ve Görevleri Hakkında Kanun Hükmünde Kararname” içeriğinde de bazı değişiklikler yapılmış, sürdürülebilirlik raporlama standartlarının belirlenmesine, uygulanmasına, denetimine ve gözetimine yönelik hususlar KGK’nın yetki alanına dahil edilmiştir.

Yapılan yasal düzenlemeler sonucunda KGK’nın organizasyon şemasına 28.03.2023 tarihinde “Sürdürülebilirlik Standartları Dairesi Başkanlığı” eklenerek, “sürdürülebilirlik raporlamasında güveni, karşılaştırılabilirliği ve şeffaflığı artırma” misyonu ile faaliyetlerine başlamıştır. İşletmelerin risklerini azaltmaları, uzun vadeli değer yaratmaları ve en iyi sürdürülebilirlik uygulamalarını benimsemeleri sürdürülebilir kalkınmaya katkı sağlamak açısından kritik öneme sahiptir. Sürdürülebilirlik raporlamasının kurumsal yönetim ilkelerinden hesap verebilirliğin ayrılmaz bir parçası hâline gelmesi ile işletmelerde kıt kaynakların en verimli şekilde kullanılması, finansal piyasalarda güven ortamının oluşturulması ve böylece gelecek nesiller için sürdürülebilir bir dünya inşa edilmesi mümkün olabilecektir (KGK, 2023a).

Yapılan bu çalışma kapsamında 01.01.2024 tarihine kadar Türkiye’de faaliyet gösteren işletmeler tarafından isteğe bağlı olarak hazırlanan sürdürülebilirlik raporlarının hangi işletmeler tarafından zorunlu hale getirildiğinin, raporların hangi hükümler çerçevesinde hazırlanacağı ve geçiş sürecinde uyulması gereken ilkelerin neler olduğunun ulusal ve uluslararası sürdürülebilirlik standartları çerçevesinde incelenmesi amaçlanmıştır. Sürdürülebilirlik raporlamasının zorunlu hale gelmesi ve raporların uygulama kapsamında yer alan işletmeler tarafından belirlenen standartlara uygun şekilde ilk defa hazırlanacak olması açısından bu çalışmanın literatüre katkı sağlaması beklenmektedir.

2. SÜRDÜRÜLEBİLİRLİK RAPORLAMASI

Günümüzde artık işletmelerin finansal durumlarına ve performanslarına ilişkin bilgilerin sadece finansal raporlardan elde edilemeyeceği, finansal olmayan raporlamaya da ihtiyaç olduğu anlaşılmıştır. Yatırımcılar arasında tek başına finansal raporlamanın kendilerine ve diğer paydaşlara kurumsal değere ilişkin yeterince kapsamlı bir tablo sunmadığı ve aynı zamanda sürdürülebilirlik raporlaması için mevcut çerçevelerin, metodolojilerin ve ölçütlerin

birleştirilmesinin arzu edildiği yönünde artan bir farkındalık ortaya çıkmıştır (EY, 2021: 4). Son yıllarda işletmeleri geçmiş tarihli finansal verilerden çok, ileriye yönelik risk ve belirsizlikler içeren finansal olmayan verilerin etkilediği görülmektedir. Salgın hastalıklar, depresyon, sel, tsunami gibi doğal afetler, Rusya ve Ukrayna arasındaki savaş, ülkeler arasındaki aşırı rekabet, doğal kaynakların ve çevrenin bilinçsizce kullanılması gibi ulusal ve küresel ölçekte yaşanan birçok gelişme işletmelerin faaliyetlerini önemli ölçüde etkilemiştir. İşletmelerin finansal tablolarında yer almayan bu tür risk ve tehditler, bilgi kullanıcılarının finansal olmayan rapor türlerine olan ilgisinin artmasına sebep olmuştur.

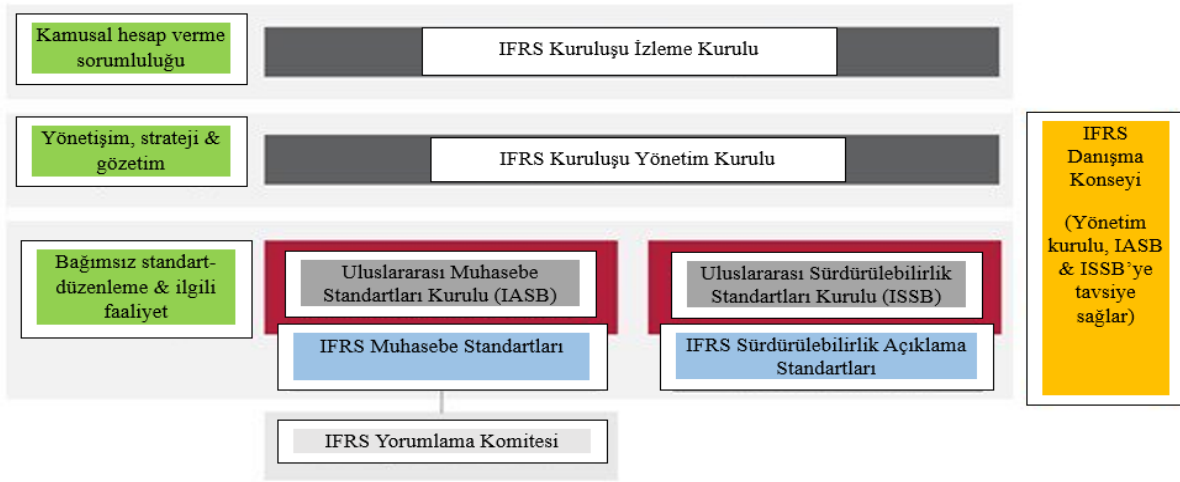
Sürdürülebilirlik raporlaması; işletmelerin riskleri yönetmek, değer yaratmak, pazar paylarını artırmak, kredibilitelerini yükseltmek, rekabet avantajı elde etmek, kurumsal itibar sağlamak, paydaşlar ile iletişimi güçlendirmek, şeffaflığı ve hesap verebilirliği artırmak, topluma ve gelecek nesillere yaşanabilir bir dünya bırakmak gibi çeşitli amaçlarına hizmet eden kurumsal rapor türlerinden biridir. Sürdürülebilirlik raporu; *“bir işletmenin çevresel, sosyal ve yönetim hususlarına ilişkin olarak TSRS’ler uyarınca hazırladığı entegre rapor, entegre faaliyet raporu, yönetici raporu vb. adlarla yayımladığı rapor”* olarak tanımlanmıştır (KGK Kurul Kararı, Md. 2c). Sürdürülebilirlik raporları, işletmelerin faaliyetlerine devam ederken sürdürülebilirlik konusu ile ilgili yapmış oldukları çalışmaları, bu çalışmaların etkisini, sürdürülebilirliğe yönelik bakış açılarını ve gelecek planlarını ortaya koymak açısından önemli bir araçtır (Dağhan, 2021).

Sürdürülebilirliğin insan hayatında önemli bir yer tutmasıyla gündeme gelen sürdürülebilirlik raporlaması, iktisadi hayata da yansımıştır (Öktem ve Öktem, 2022: 285). Sürdürülebilirlik raporlaması, işletmelerin sürdürülebilirliğe olan bağlılığının en açık göstergesidir. İnsanların, işletmelerin ve ülkelerin belirli bir standartta yaşam kalitesine sahip olabilmesi, temiz bir ekosistem içinde varlıklarını devam ettirebilmesi sürdürülebilirliğe olan bakış açılarına bağlıdır. İşletmelere finansal kaynak sağlayan yatırımcıların sürdürülebilir işletmeleri tercih etmesi ya da ülkelerin sürdürülebilirliğe katkı sunan işletmelere finansman desteği sağlaması gibi yaklaşımlar da sürdürülebilirlik üzerinde olumlu etkiler yaratır. Böylece herkesin katkısı ile dünya daha yaşanabilir bir yer haline gelebilir ve gelecek nesillerin de yaşam hakkı korunabilir.

3. ULUSLARARASI SÜRDÜRÜLEBİLİRLİK STANDARTLARI KURULU

Türkiye Sürdürülebilirlik Raporlama Standartları, Uluslararası Finansal Raporlama Standartları Kuruluşu (IFRS Foundation) çatısı altındaki Uluslararası Sürdürülebilirlik Standartları Kurulu (ISSB) tarafından yayımlanan standartlar ile uyumlu hale getirilerek oluşturulmuş ve yayımlanmıştır. Uluslararası Finansal Raporlama Standartları Kuruluşu yüksek kaliteli,

anlaşılabilir, uygulanabilir ve dünya çapında kabul görmüş muhasebe ve sürdürülebilirlik açıklama standartlarını geliştirmek amacıyla kurulmuş, kâr amacı gütmeyen, kamu yararına çalışan bir kuruluştur. Misyonu “dünya çapındaki finansal piyasalara şeffaflık, hesap verebilirlik ve verimlilik getiren yüksek kaliteli IFRS standartları geliştirmek” olan kuruluş daha isabetli ekonomik ve yatırım kararları almayı desteklemek için insanlara doğru bilgi aktarmayı amaç edinmiştir. Sonuç olarak küresel ekonomide güveni, büyümeyi ve uzun vadeli finansal istikrarı teşvik ederek kamu yararına hizmet etmeye yönelik çalışmalar yürütmeyi benimsemiştir (IFRS, 2024a). Uluslararası Finansal Raporlama Standartları Kuruluşunun organizasyon yapısı aşağıdaki gibidir (IFRS, 2024b).



Şekil 1. Uluslararası Finansal Raporlama Standartları (IFRS) Kuruluşunun Yapısı

IFRS Kuruluşunun İzleme Kurulu, bir grup sermaye piyasası yetkilisinden oluşmakta ve kuruluşun kamuya hesap verebilirliğini artırmak amacıyla yönetim kurulu ile kamu yetkilileri arasında resmi bir bağlantı sağlamaktadır. Yönetim kurulu, Uluslararası Muhasebe Standartları Kurulu ve Uluslararası Sürdürülebilirlik Standartları Kurulu'nun yönetim ve gözetiminden, standartların geliştirilmesine yönelik yasal süreçten sorumludur. Uluslararası Muhasebe Standartları Kurulu muhasebe standartlarının belirlenmesi, finansal raporların hazırlanması, denetlenmesi ve muhasebe eğitimi konularında yetkili bir organdır. Uluslararası Sürdürülebilirlik Standartları Kurulu ise sürdürülebilirlik raporlama standartlarının geliştirilmesinden sorumludur. IFRS'nin Uluslararası Muhasebe Standartları Kuruluna eşdeğer bir organ olarak Uluslararası Sürdürülebilirlik Standartları Kurulunu kurmuş olması, sürdürülebilirlik raporlamasını finansal raporlamayla aynı temele oturtmayı hedeflemesi olarak değerlendirilmektedir (Dotzlaw, 2022: 1).

Uluslararası Sürdürülebilirlik Standartları Kurulunun kuruluşu, IFRS Yönetim Kurulu tarafından 3 Kasım 2021'de İskoçya'nın Glasgow şehrinde düzenlenen Birleşmiş Milletler

İklim Değişikliği Konferansında (COP26) duyurulmuştur. Kuruluşuna yönelik güçlü bir talep olan ISSB, yatırımcıların ve finansal piyasaların ihtiyaçlarına odaklanarak yüksek kaliteli ve kapsamlı küresel sürdürülebilirlik açıklamalarının temeli oluşturacak standartlar geliştirmek amacı ile kurulmuştur. Piyasa katılımcılarıyla yapılan istişarelerden elde edilen geri bildirimler, sürdürülebilirlik faktörlerinin yatırım kararı alma sürecinin ana parçası haline gelmesi ile işletmelerden sürdürülebilirlikle ilgili riskler ve fırsatlar hakkında küresel olarak karşılaştırılabilir bilgi sağlamaları yönünde bir beklenti oluştuğunu göstermiştir. Bu doğrultuda ISSB dört temel hedef belirlemiştir. Bu hedefler; sürdürülebilirlik açıklamalarına ilişkin küresel standartlar geliştirmek, yatırımcıların bilgi ihtiyaçlarını karşılamak, işletmelerin küresel sermaye piyasalarına kapsamlı sürdürülebilirlik bilgileri sunabilmesini sağlamak ve yargı alanına özgü ve/veya daha geniş paydaş gruplarını hedefleyen açıklamalarla birlikte çalışabilirliği kolaylaştırmaktır (IFRS, 2024c).

4. SÜRDÜRÜLEBİLİRLİK RAPORLAMA STANDARTLARI

Uluslararası sürdürülebilirlik raporlama standartları ISSB tarafından 26 Haziran 2023 tarihinde “*IFRS S1 General Requirements for the Disclosure of Sustainability-Related Financial Information*” ve “*IFRS S2 Climate-Related Disclosures*” olarak iki standart şeklinde yayımlanmıştır. Söz konusu standartlar KGK tarafından Türkçeye çevrilmiş ve 29 Aralık 2023 tarih ve 32414 mükerrer sayılı Resmî Gazete’de yayımlanan 27/12/2023 tarihli ve 75935942-050.01.04-[01/21632] sayılı Kurul Kararı ile “*TSRS 1 Sürdürülebilirlikle İlgili Finansal Bilgilerin Açıklanmasına İlişkin Genel Hükümler*” ve “*TSRS 2 İklimle İlgili Açıklamalar*” şeklinde kamuoyuna açıklanmıştır. Bu iki standart işletmelerin sürdürülebilirlik raporlarını hazırlamada kullanmaları gereken “*Türkiye Sürdürülebilirlik Raporlama Standartları*”dır.

TSRS 1 “Sürdürülebilirlikle İlgili Finansal Bilgilerin Açıklanmasına İlişkin Genel Hükümler Standardı”; amaç, kapsam, kavramsal temeller, temel içerik, genel hükümler, muhakemeler, belirsizlikler, hatalar ve ekler olmak üzere toplam yedi ana bölümden oluşmaktadır. Standardın ana ve alt bölümlerine ilişkin özet bilgiler aşağıdaki Tablo 1’de sunulmuştur.

Tablo 1. TSRS 1’in Ana ve Alt Bölümleri

ANA BÖLÜMLER	ALT BÖLÜMLER VE AÇIKLAMALAR
Amaç (paragraf 1-4)	Standardın amacı; işletmelerin sürdürülebilirlikle ilgili risklerine ve fırsatlarına ilişkin bilgileri açıklamasını zorunlu kılmaktır. Bu bilgiler asli kullanıcılar açısından işletmelere kaynak sağlama kararı vermede faydalıdır.
Kapsam (paragraf 5-9)	İşletmelerin gelecekteki finansal yeterliliklerini etkilemesi beklenen sürdürülebilirlikle ilgili finansal açıklamaların TSRS’ye uygun olarak hazırlanması ve raporlanması gerekir. Standart, kâr amaçlı işletmeler açısından uygun olmakla birlikte özel sektör veya kamu sektöründe kâr amacı gütmeyen işletmeler tarafından da kullanılabilir.

Kavramsal Temeller (paragraf 10-24)	Sürdürülebilirlikle ilgili finansal bilgilerin niteliksel özellikleri; gerçeğe uygun sunum, ihtiyaca uygunluk, karşılaştırılabilirlik, doğrulanabilirlik, zamanında sunum ve anlaşılabilirliktir. İşletmelerin sürdürülebilirlikle ilgili önemli bilgileri açıklamaları esastır. İşletmeler sürdürülebilirlikle ilgili açıklamaların ilgili olduğu finansal tabloları belirlemeli ve açıklamaların hazırlanmasında kullanılan veri ve varsayımlar ile ilgili finansal tabloların hazırlanmasında kullanılanların tutarlı olmasına dikkat etmelidir. Ayrıca sürdürülebilirlik ile ilgili açıklamalarda ölçü birimi olarak kullanılan para birimi, finansal tabloların sunulduğu para birimi olmalıdır.
Temel İçerik (paragraf 25-53)	İşletmeler sürdürülebilirlik raporlarında “yönetişim”, “strateji”, “risk yönetimi” ve “metrikler ve hedefler” konularında açıklamalar yapmalıdır. Yönetişim; işletmenin sürdürülebilirlikle ilgili risk ve fırsatları izlemek ve yönetmek için kullandığı yönetim süreçleri, kontrolleri ve prosedürleridir. Strateji; söz konusu risk ve fırsatları yönetmek için işletmenin kullandığı yaklaşımdır. Risk yönetimi; işletmenin risk ve fırsatları belirlemek, değerlendirmek, önceliklendirmek ve izlemek için kullandığı süreçlerdir. Metrikler ve hedefler ise işletmenin sürdürülebilirlikle ilgili risk ve fırsatlarla ilgili performansıdır.
Genel Hükümler (paragraf 54-73)	İşletmeler sürdürülebilirlikle ilgili risk ve fırsatları, bunlarla ilgili uygulanabilir açıklama hükümlerini belirlerken temel olarak TSRS’yi uygular. İşletmelerin genel amaçlı finansal raporların bir parçası olarak TSRS’lerin gerektirdiği açıklamaları sağlamaları zorunludur. Sürdürülebilirlikle ilgili finansal açıklamalar, ilgili finansal tablolarla aynı zamanda raporlanmalı, aynı raporlama dönemini (genellikle on iki ay) kapsamlı ve önceki dönemle karşılaştırmalı şekilde açıklanmalıdır. Ayrıca işletmeler TSRS’lerin tüm hükümlerine uydukları takdirde uygunluk beyanında bulunmalıdır.
Muhakemeler, Belirsizlikler ve Hatalar (paragraf 74-86)	İşletmeler sürdürülebilirlikle ilgili finansal açıklamaların hazırlanma sürecinde, tutar tahminleri içeren muhakemeler dışında, sürdürülebilirlikle ilgili raporlanan bilgiler üzerinde önemli etkiye sahip olan muhakemeleri açıklamalıdır. Bunun yanı sıra raporlanan tutarları etkileyen en önemli belirsizliklerin anlaşılmasını sağlayan bilgilerin de rapor kullanıcılarına açıklanması gerekir. İşletmelerin ayrıca eğer tespit edilmişse önemli geçmiş dönem hatalarını düzeltme ve geçmiş dönemlere ait karşılaştırmalı tutarları yeniden düzenleme sorumluluğu vardır.
Ekler	Standartta yer alan terimlerin tanımları, uygulama rehberi, rehberlik kaynakları, sürdürülebilirlikle ilgili faydalı finansal bilginin niteliksel özellikleri, yürürlük tarihi ve geçiş hükümleri açıklanmıştır.

TSRS 2 “İklimle İlgili Açıklamalar Standardı” ise amaç, kapsam, temel içerik ve ekler olmak üzere toplam dört ana bölümden oluşmaktadır. Standardın ana ve alt bölümlerine ilişkin özet bilgiler aşağıdaki Tablo 2’de sunulmuştur.

Tablo 2. TSRS 2’nin Ana ve Alt Bölümleri

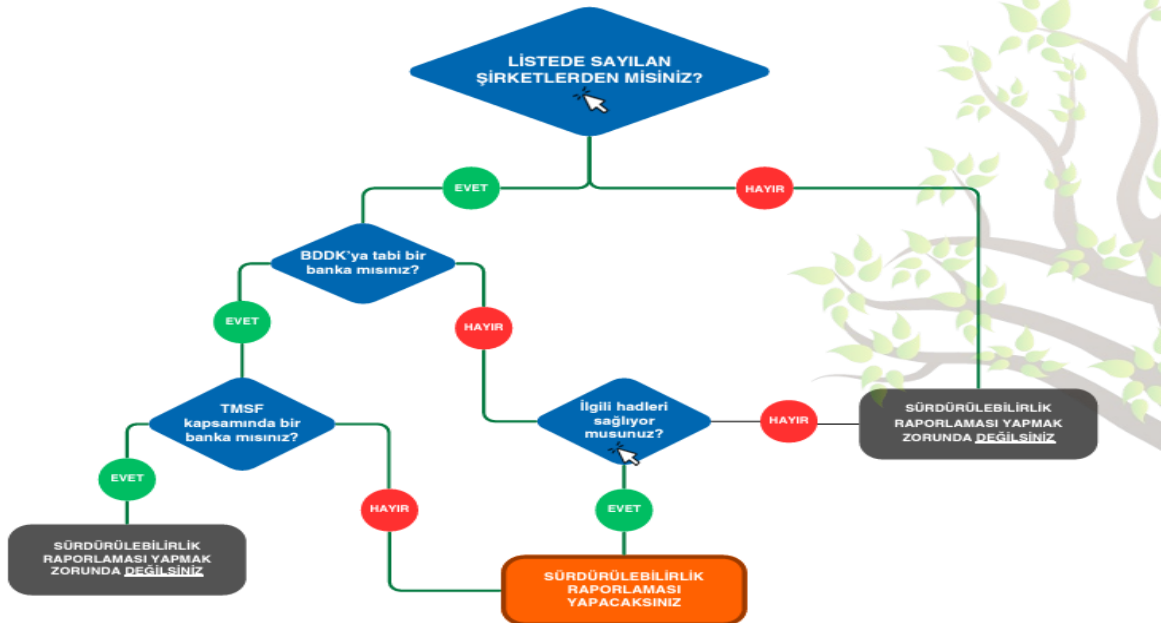
ANA BÖLÜMLER	ALT BÖLÜMLER VE AÇIKLAMALAR
Amaç (paragraf 1-2)	Standardın amacı; işletmelerin iklimle ilgili risklere ve fırsatlara ilişkin bilgileri açıklamasını zorunlu kılmaktır. Bu bilgiler asli kullanıcılar için işletmelere kaynak sağlama kararı vermede faydalıdır.
Kapsam (paragraf 3-4)	İşletmelerin gelecekteki finansal yeterliliklerini etkilemesi beklenen iklim ile ilgili maruz kaldıkları fiziksel risklerin ve geçiş risklerinin, sahip oldukları fırsatların TSRS’ye uygun olarak hazırlanması ve raporlanması gerekir.
Temel İçerik (paragraf 5-37)	İşletmeler sürdürülebilirlik raporlarında “yönetişim”, “strateji”, “risk yönetimi” ve “metrikler ve hedefler” konularında açıklamalar yapmalıdır. Yönetişim; işletmenin iklimle ilgili risk ve fırsatları izlemek ve yönetmek için kullandığı yönetim süreçleri, kontrolleri ve prosedürleridir. Strateji; söz konusu risk ve fırsatları yönetmek için

	İşletmenin kullandığı yaklaşımdır. Risk yönetimi; işletmenin risk ve fırsatları belirlemek, değerlendirmek, önceliklendirmek ve izlemek için kullandığı süreçlerdir. Metrikler ve hedefler ise işletmenin iklimle ilgili risk ve fırsatlarla ilgili performansıdır.
Ekler	Standartta yer alan terimlerin tanımları, uygulama rehberi, yürürlük tarihi ve geçiş hükümleri açıklanmıştır.

Yukarıda özetlenen sürdürülebilirlik raporlama standartları hükümlerinin tüm işletmeler tarafından yerine getirilmesi zorunlu değildir. Hangi işletmelerin uygulama kapsamına alındığı KGK'nın yayımlanmış olduğu karar ile netleştirilmiştir. Söz konusu karara ve uygulama kapsamına giren işletmelere ilişkin açıklamalar aşağıda ayrı başlık halinde sunulmuştur.

5. ZORUNLU RAPORLAMA KAPSAMINA DAHİL OLMA ŞARTLARI

Kamu Gözetimi, Muhasebe ve Denetim Standartları Kurumu (KGK) tarafından 29 Aralık 2023 tarih ve 32414 mükerrer sayılı Resmî Gazete'de “Türkiye Sürdürülebilirlik Raporlama Standartları (TSRS) Uygulama Kapsamına İlişkin Kurul Kararı” yayımlanmış ve sürdürülebilirlik raporlaması Türkiye’de ilk defa 01.01.2024 tarihinden itibaren zorunlu hale getirilmiştir. Sürdürülebilirlik raporlamasına tabi tutulan işletmeler Kurul Kararının 3. maddesinde belirlenmiştir. Buna göre uygulama kapsamına giren işletmeler aşağıdaki Şekil 2’de yer alan sorulara verecekleri cevaplar ile uygulama kapsamında olup olmadıklarını tespit edebilmektedir.



Şekil 2. Sürdürülebilirlik Raporlamasının Uygulama Kapsamı **Kaynak:** KGK (2023b). Şekil 2’de görüldüğü gibi öncelikle işletmelerin KGK kararında belirtilen ve liste şeklinde sıralanan “6362 sayılı Kanun uyarınca Sermaye Piyasası Kurulunun düzenleme ve denetimine tabi şirketler (Md. 3/1a), 5411 sayılı Bankacılık Kanunu uyarınca Bankacılık Düzenleme ve

Denetleme Kurumunun düzenleme ve denetimine tabi işletmeler (Md. 3/1b), 5684 sayılı Sigortacılık Kanunu ile 4632 sayılı Bireysel Emeklilik Tasarruf ve Yatırım Sistemi Kanunu kapsamında faaliyet göstermekte olan şirketler (Md. 3/1c) ve Borsa İstanbul Piyasalarında faaliyet göstermesine izin verilen şirketler (Md. 3/1ç)” arasında yer alıp almadıklarına cevap vermeleri gerekmektedir. İşletmenin bu soruya cevabı “hayır” ise zorunlu sürdürülebilirlik raporlaması kapsamında değildir. Eğer cevabı “evet” ise ve işletme BDDK’ya tabi bir banka olup aynı zamanda Tasarruf Mevduatı Sigorta Fonu (TMSF) bünyesinde yer alıyorsa sürdürülebilirlik raporlaması yapmak zorunda değildir. İşletme TMSF bünyesinde yer almayan BDDK’ya tabi bir banka ise kesinlikle zorunlu sürdürülebilirlik raporlaması kapsamındadır. İşletme eğer BDDK’ya tabi bir banka değilse;

- Aktif toplamı 500 milyon TL,
- Yıllık net satış hasılatı 1 milyar TL
- Çalışan sayısı 250 kişi ölçütlerinden en az ikisinin eşik değerlerini art arda iki raporlama döneminde aşması durumunda sürdürülebilirlik raporlaması kapsamında yer alır, aksi takdirde kapsam dışındadır. Uygulama kapsamı dışında kalan işletmelerin isteğe bağlı olarak sürdürülebilirlik raporlarını TSRS’lere uygun şekilde hazırlamaları mümkündür.

6. SÜRDÜRÜLEBİLİRLİK RAPORLAMASINA GEÇİŞ SÜRECİ İLKELERİ

TSRS 1 ve TSRS 2’nin ek bölümlerinde standartların yürürlük tarihlerine ve geçiş hükümlerine ilişkin açıklamalar yer almaktadır. Söz konusu hükümler çerçevesinde Türkiye’de 01.01.2024 tarihine kadar işletmeler tarafından isteğe bağlı olarak hazırlanan sürdürülebilirlik raporları, bu tarihten itibaren uygulama kapsamına giren işletmeler için bir zorunluluk haline gelmiştir. Bu kapsamda Türkiye’de ilk zorunlu sürdürülebilirlik raporlamasının dönemi 01.01.2024-31.12.2024 tarihlerini kapsar. Yıllık raporlama dönemleri için öngörülen standart hükümlerini işletmelerin erken uygulaması da mümkündür. İsteğe bağlı olarak işletmelerin standartları erken uygulamaya karar vermesi durumunda bunu açıklamaları ve her iki standardı da aynı zamanda uygulamaları gerekmektedir. Zorunlu sürdürülebilirlik raporlamasına geçiş süreci ilkeleri şunlardır:

- İşletmelerin ilk uygulama tarihi olan 01.01.2024’ten önceki herhangi bir dönem için hazırlayacakları sürdürülebilirlik raporunda TSRS 1 ve 2’de yer alan açıklamaları sunması zorunlu değil, isteğe bağlıdır.
- İşletmelerin TSRS 1 ve 2 hükümlerini uyguladıkları ilk yıllık raporlama döneminde karşılaştırmalı bilgi sunması zorunlu değildir.

- İşletmelerin TSRS 1 ve 2 hükümlerini uyguladıkları ilk yıllık raporlama döneminde sürdürülebilirlikle ilgili finansal açıklamaları, ilgili dönemin finansal tablolarını yayımladıktan sonra raporlamasına izin verilmektedir.
 - İşletmelerin sürdürülebilirlikle ilgili finansal açıklamaları; bir sonraki ikinci çeyrek veya altı aylık ara dönem genel amaçlı finansal rapor sunma yükümlülüğü varsa söz konusu ara dönem finansal raporuyla aynı zamanda, yoksa ancak gönüllü olarak finansal rapor hazırlıyorsa TSRS'lerin ilk kez uygulandığı yıllık raporlama döneminin sonundan itibaren dokuz ay içerisinde olması şartıyla söz konusu ara dönem finansal raporuyla aynı zamanda raporlaması gerekir.
 - İşletmelerin zorunlu veya gönüllü olarak ara dönem genel amaçlı finansal tablo sunmaması durumunda TSRS'lerin ilk kez uygulandığı yıllık raporlama döneminin sonundan itibaren dokuz ay içerisinde sürdürülebilirlikle ilgili finansal açıklamaları raporlamaları gerekir.
 - İşletmelerin TSRS 1'i uyguladığı ilk yıllık raporlama döneminde sadece iklimle ilgili risk ve fırsatlara ilişkin bilgileri açıklamasına ve TSRS 1'de yer alan hükümleri sadece iklim ile ilgili risk ve fırsatlara ilişkin bilgilerin açıklamasıyla ilgili olduğu ölçüde uygulamasına izin verilmektedir. İşletmelerin söz konusu bu geçiş muafiyetini kullanmaları durumunda açıklama yapmaları gerekmektedir.
 - İşletmelerin TSRS 1'i uyguladığı ilk yıllık raporlama döneminde iklimle ilgili risk ve fırsatlara ilişkin karşılaştırmalı bilgi açıklaması zorunlu değildir.
 - İşletmelerin TSRS 1'i uyguladığı ikinci yıllık raporlama döneminde iklimle ilgili risk ve fırsatlara ilişkin karşılaştırmalı bilgi açıklaması zorunlu, sürdürülebilirlikle ilgili risk ve fırsatlara ilişkin karşılaştırmalı bilgi açıklaması zorunlu değildir.
 - İşletmelerin TSRS 2'yi uyguladığı ilk yıllık raporlama döneminde, bundan bir önceki yıllık raporlama döneminde sera gazı emisyonlarını ölçmek için "*Sera Gazı Protokolü: Kurumsal Muhasebe ve Raporlama Standardı*" dışında bir yöntem kullanması durumunda, bu yöntemi kullanmaya devam etmesine izin verilir.
 - İşletmelerin TSRS 2'yi uyguladığı ilk yıllık raporlama döneminde; varlık yönetimi, ticari bankacılık veya sigortacılık faaliyetlerinde bulunması durumunda, finanse edilen emisyonlarına ilişkin ilave bilgileri içeren Kapsam 3 sera gazı emisyonlarını açıklaması zorunlu değildir.
- Yukarıda belirtilen ilkeler çerçevesinde sürdürülebilirlik raporlama standartlarının zorunlu olarak ilk defa yürürlüğe girecek olması sebebiyle işletmelere geçişe ilişkin bazı muafiyetler sağlanmıştır. İşletmelerin söz konusu geçiş muafiyetlerini kullanıp kullanmamaları tamamen kendi tercihlerine bağlıdır.

İşletmelerin sürdürülebilirlik raporlama standartlarına uygun şekilde geçiş ilkeleri ve hükümleri doğrultusunda sürdürülebilirlik raporları hazırlamaları için bazı önemli hususlara dikkat etmeleri gerekmektedir. Sürdürülebilirlik raporlarının finansal tablolarla aynı dönem için hazırlanması gerektiğinden işletmelerin sistem ve süreçlerini bu duruma hazır hale getirmeleri şarttır. İşletme içinde finansal raporlama ve sürdürülebilirlik raporlamasından sorumlu ekiplerin koordineli bir biçimde çalışması söz konusu kurumsal raporlarda yer alan bilgilerin birbiri ile bağlantılı olması açısından önemlidir. Sürdürülebilirlik raporlarında sürdürülebilirlikle ilgili risklerin ve fırsatların kısa, orta ve uzun vadede işletmelerin stratejisi, faaliyetleri ve finansal tabloları üzerindeki etkisine ilişkin ileriye yönelik bilgilerin yer alması gerektiği için bunu sağlayacak bir yönetime sahip olmak raporlamanın başarısını artıracaktır. Bunun yanısıra sürdürülebilirlik raporlama standartlarının oluşturulmasında ISSB'nin önemlilik konusundaki yaklaşımını anlamak, bilgi kullanıcılarının raporlardan elde edeceği faydayı olumlu yönde etkileyecektir (KPMG, 2023).

7. SONUÇ

İşletmelerin faaliyetlerinin sürekliliği, sınırlı olan doğal kaynakların kullanılma biçimine bağlıdır. Sürdürülebilirlik, işletmelerin dünya üzerinde kıt olan kaynakları en verimli şekilde kullanarak hem günümüz ihtiyaçlarını karşılamak hem de gelecek nesillere yaşanabilir bir dünya bırakmak amacı ile faaliyetlerine devam etmelerini öngörür. İşletmeler sosyal sorumluluk kavramı gereği sadece kar odaklı değil, topluma ve çevreye duyarlı faaliyetler yürütmeye yönelik bir anlayış benimsemelidir. Aksi taktirde sadece işletmelerin değil, dünyanın ve insanlığın geleceğinin ciddi bir tehdit ile karşı karşıya kalması kaçınılmazdır.

Çevrenin, ekonominin ve toplumun bir denge içerisinde olması sürdürülebilirlik bilincine bağlıdır. Son yıllarda küresel ve ulusal düzeyde sürdürülebilirliğe ilişkin farkındalık yaratmak ve çok geç olmadan bu konuda gerekli tedbirleri almak amacıyla çeşitli çalışmalar yürütülmektedir. Günümüzde işletmelerden çevre üzerinde bıraktıkları tahribatı en aza indirmeleri, sosyal ve ekonomik alanlarda değer yaratan faaliyetler ortaya koymaları beklenir hale gelmiştir. İşletmeler bu beklentiye karşılık olarak sürdürülebilirliğe yaptıkları katkıları, sürdürülebilirlik raporları hazırlayarak kamuoyuna açıklama imkânı bulmuşlardır.

Türkiye'de 01.01.2024 tarihine kadar sürdürülebilirlik raporu hazırlamak veya hazırlamamak tüm işletmelerin kendi isteğine bağlı olmuştur. Ancak söz konusu bu tarihten sonra KGK tarafından 29 Aralık 2023 tarih ve 32414 mükerrer sayılı Resmî Gazete'de yayımlanan "Türkiye Sürdürülebilirlik Raporlama Standartları (TSRS) Uygulama Kapsamına İlişkin Kurul Kararı" ile sürdürülebilirlik raporlaması Türkiye'de ilk defa bazı işletmeler tarafından zorunlu

hale getirilmiştir. Sürdürülebilirlik raporları hazırlamakla yükümlü olan işletmeler için ayrıca raporların hangi standart çerçevesi benimsenerek hazırlanması gerektiği de açıklanmıştır.

Sürdürülebilirlik raporu hazırlama yükümlülüğü bulunan işletmelerin esas almaları gereken ilkeler “Türkiye Sürdürülebilirlik Raporlama Standartları” olarak açıklanmıştır. KGK, Türkiye Sürdürülebilirlik Raporlama Standartlarını Kasım 2021’de kurulan Uluslararası Sürdürülebilirlik Standartları Kurulu (ISSB) tarafından 26 Haziran 2023 tarihinde iki standart şeklinde İngilizce olarak hazırlanmış olan metinleri Türkçe’ye çevirmek suretiyle belirlemiş ve “TSRS 1 Sürdürülebilirlikle İlgili Finansal Bilgilerin Açıklanmasına İlişkin Genel Hükümler” ve “TSRS 2 İklimle İlgili Açıklamalar” şeklinde 29 Aralık 2023 tarihinde Resmî Gazete ile kamuoyuna açıklamıştır.

ISSB tarafından geliştirilmiş olan uluslararası sürdürülebilirlik raporlama standartları, raporlara küresel bir nitelik ve geçerlilik kazandırmak, raporların tüm ülkelerde yaygınlaşmasını sağlamak açısından büyük öneme sahiptir. Söz konusu standartlar oluşturulmadan önce küresel ölçekte işletmeler tarafından sürdürülebilirlik raporlarının birbirinden farklı standartlar benimsenerek hazırlanması, raporların içerik ve kapsam olarak farklılaşmasına sebep olmuştur. Sürdürülebilirlik raporlarında yer alan bilgilerin karşılaştırılabilir olması ve raporlarda sunulan bilgilerin doğruluğuna ve güvenilirliğine dair güvence sağlanabilmesi için raporların işletmeler tarafından belirli bir standarda uygun olarak hazırlanması şarttır. Bu sebeple Uluslararası Finansal Raporlama Standartları Kuruluşu (IFRS Foundation) çatısı altındaki Uluslararası Sürdürülebilirlik Standartları Kurulu (ISSB) tarafından oluşturulan standartlara uygun sürdürülebilirlik raporlarının hazırlanması, yatırımcıların bilgi ihtiyaçlarının karşılanması ve işletmelerin küresel sermaye piyasalarına kapsamlı ve karşılaştırılabilir sürdürülebilirlik bilgileri sunabilmesi açısından büyük önem taşımaktadır.

Zorunlu sürdürülebilirlik raporlamasının ilk yılı olması sebebiyle uygulama kapsamına giren işletmeler için standartlarda yer alan geçiş hükümleri kritik öneme sahiptir. Türkiye’de ilk zorunlu sürdürülebilirlik raporlamasının dönemi 01.01.2024-31.12.2024 tarihlerini kapsar ve yıllık raporlama dönemi için öngörülen standart hükümlerini işletmelerin erken uygulaması da mümkündür. İşletmelerin standartları erken uygulamaya karar vermeleri durumunda bunu açıklamaları ve TSRS 1 ile 2’yi aynı zamanda uygulamaları gerekir. İşletmelerin ilk uygulama tarihi olan 01.01.2024’ten önceki herhangi bir dönem için hazırlayacakları sürdürülebilirlik raporunda TSRS 1 ve 2’de yer alan açıklamaları sunması zorunlu değil, isteğe bağlıdır. İşletmeler TSRS 1 ve 2 hükümlerini uyguladıkları ilk yıllık raporlama döneminde karşılaştırmalı bilgi sunmak zorunda değildir. Bir diğer önemli husus, işletmelerin TSRS 1 ve

2 hükümlerini uyguladıkları ilk yıllık raporlama döneminde sürdürülebilirlikle ilgili finansal açıklamaları, ilgili dönemin finansal tablolarını yayımladıktan sonra raporlamasına izin verilmesidir. İşletmelerin TSRS 1'i uyguladığı ilk yıllık raporlama döneminde iklimle ilgili risk ve fırsatlara ilişkin karşılaştırmalı bilgi açıklaması zorunlu değildir. İşletmelere geçişle ilgili bazı muafiyetler tanınmıştır, işletmelerin geçiş muafiyetlerini kullanmaları durumunda açıklama yapmaları şarttır.

Türkiye ve diğer dünya ülkeleri açısından sürdürülebilirlik, önemi her geçen artan ve artmaya da devam etmesi beklenen kritik bir konudur. Bu çalışma kapsamında sürdürülebilirliğin işletmeler ve paydaşlar açısından önemi incelenmiştir. Sürdürülebilirlik raporlarının küresel olarak kabul görmüş tek bir standart çerçevesinde hazırlanmasının, raporların karşılaştırılabilir ve güvenilir olmasına katkı sağlaması beklenmektedir. Zorunlu sürdürülebilirlik raporlamasına tabi olan işletmelerin sürdürülebilirlik standartlarını faaliyetlerine, süreçlerine ve fonksiyonlarına entegre ederek, sürdürülebilirlikle ilgili riskleri ve fırsatları şeffaf bir biçimde açıklamaları ülkelerin sermaye piyasalarının güçlenmesi açısından önemlidir. Sürdürülebilirlik sadece işletmelerin sorumluluğunda değildir. Gelecek çalışmalarda sürdürülebilirliğe işletmeler dışındaki tarafların nasıl katkı sağlayabileceği incelenebilir.

KAYNAKÇA

- 6102 Sayılı Türk Ticaret Kanunu. T.C. Resmî Gazete (27846, 14 Şubat 2011).
- 660 Sayılı Kamu Gözetimi, Muhasebe ve Denetim Standartları Kurumunun Teşkilat ve Görevleri Hakkında Kanun Hükmünde Kararname. T.C. Resmî Gazete (28103, 2 Kasım 2011).
- 7408 Sayılı Türkiye İhracatçılar Meclisi ile İhracatçı Birliklerinin Kuruluş ve Görevleri Hakkında Kanun ile Bazı Kanunlarda Değişiklik Yapılmasına Dair Kanun. T.C. Resmî Gazete (31856, 4 Haziran 2022).
- 7420 Sayılı Gelir Vergisi Kanunu ile Bazı Kanun ve Kanun Hükmünde Kararnemelerde Değişiklik Yapılmasına Dair Kanun. T.C. Resmî Gazete (32008, 9 Kasım 2022).
- Dağhan, İ. (2021). Kurumsal Sürdürülebilirlik Raporları ve Standartları. Erişim Adresi: <https://kalkinmaguncesi.izka.org.tr/index.php/2021/06/17/kurumsal-surdurulebilirlik-raporlari-ve-standartlari/> (Erişim Tarihi: 22.02.2024).
- Dotzlaw, R. (2022). New Sustainability Standards Board. Erişim Adresi: <https://kpmg.com/xx/en/home/insights/2021/11/sustainability-reporting-climatechange-issb.html> (Erişim Tarihi: 15.02.2024).
- Göçer, T. (2023). Süreklilik Eleştirisi Altında Kurumsal Sürdürülebilirlik, Sürdürülebilirlik Muhasebesi, Raporlaması ve Denetimi (Türkiye Örneği). KGK Uzmanlık Tezi, Ankara.
- EY (2021). One Step Closer to an International Sustainability Standards Board. Erişim Adresi: https://assets.ey.com/content/dam/ey-sites/ey-com/en_za/topics/assurance/ey-new-developments-190-issb-ed-may-2021.pdf (Erişim Tarihi: 25.02.2024).
- IFRS (2024a). About the IFRS Foundation. Erişim Adresi: <https://www.ifrs.org/> (Erişim Tarihi: 15.01.2024).
- IFRS (2024b). IFRS Foundation Governance. Erişim Adresi: <https://www.ifrs.org/about-us/our-structure/> (Erişim Tarihi: 12.01.2024).
- IFRS (2024c). International Sustainability Standards Board. Erişim Adresi: <https://www.ifrs.org/groups/international-sustainability-standards-board/> (Erişim Tarihi: 15.01.2024).

- Kamu Gözetimi, Muhasebe ve Denetim Standartları Kurulunun 27/12/2023 Tarihli ve 75935942-050.01.04-[01/21634] Sayılı Kararı. T.C. Resmî Gazete (32414, 29 Aralık 2023).
- KGK (2023a). Sürdürülebilirlik. Erişim Adresi: <https://www.kgk.gov.tr/surdurulebilirlik-hakkimizda> (Erişim Tarihi: 12.01.2024).
- KGK (2023b). Sürdürülebilirlik Raporlaması Yapmak Zorunda mıyım? Erişim Adresi: <https://www.kgk.gov.tr/surdurulebilirlik> (Erişim Tarihi: 12.01.2024).
- KPMG (2023). Get Ready for ISSB Standards. Erişim Adresi: <https://assets.kpmg.com/content/dam/kpmg/xx/pdf/2023/06/isg-get-ready-for-issb-standards-slipsheet.pdf> (Erişim Tarihi: 25.02.2024).
- Öktem, B. & Öktem, R. (2022). Sürdürülebilirlik Raporlamasının IFRS Kapsamında Değerlendirilmesi: Uluslararası Sürdürülebilirlik Standartları Kurulu. *Marmara Üniversitesi İktisadi ve İdari Bilimler Dergisi*, 44(2), 283-302.
- Özsözgün Çalışkan, A. (2012). Sürdürülebilirlik Raporlaması. *Journal of Accounting and Taxation Studies*, 5(1), 41-68.

ENERGY HARVESTING USING PHOTOVOLTAIC PANELS IN AVIONIC SYSTEMS

Büşra KAYGISIZ

Ankara Yıldırım Beyazıt University, Department of Electrical and Electronics Engineering, Ankara

ORCID ID: 0009-0009-5743-3935

Sude Zeliha HAVAN

Ankara Yıldırım Beyazıt University, Department of Electrical and Electronics Engineering, Ankara

ORCID ID: 0009-0007-8009-0825

Ahmet KARAARSLAN

Ankara Yıldırım Beyazıt University, Department of Electrical and Electronics Engineering, Ankara

ORCID ID: 0000-0001-6475-4539

ABSTRACT

This study proposes a sustainable approach by advocating the integration of renewable energy sources, particularly solar energy, into aircraft systems to mitigate environmental impact. In contemporary aviation, addressing the escalating carbon footprint resulting from the utilization of non-renewable energy sources for high-energy-consuming aircraft has become imperative. Harnessing the considerable irradiance experienced during flight through photovoltaic panels incorporated into the aircraft wings, a designed converter system facilitates the conversion of solar energy into power for the main electrical system. The Single Ended Primary Converter (SEPIC), distinguished for its dual functionality as a step-down and step-up voltage, ensures adaptability to variable irradiance conditions, thereby achieving a broad operational range with heightened efficiency. The proposed system achieves the highest efficiency in integrating solar energy for battery charging by combining the optimized Perturb and Observe (P&O) algorithm into Maximum Power Point Tracking (MPPT) with the dynamic and static performance of the prominent Proportional-Integral (PI) control method. The incorporation of the designed method not only aids in reducing the aircraft's overall weight but also extends its operational range by supporting the main power battery. Furthermore, post-charging, the control circuit manages the distribution of surplus energy to other aircraft loads, enhancing overall system performance. The comprehensive simulation and implementation of the proposed system and control structure were conducted using MATLAB/Simulink program, affirming the feasibility and efficacy of the proposed environmentally conscious aviation power system.

Keywords: Aircraft, DC-DC Converter, Sepic, Solar Energy, Battery Charging, MPPT, PI Control

AVİYONİK SİSTEMLERDE FOTOVOLTAİK PANELLER KULLANARAK ENERJİ HASADI

ÖZET

Bu çalışma, çevresel etkiyi hafifletmek amacıyla yenilenebilir enerji kaynaklarının, özellikle güneş enerjisinin, uçak sistemlerine entegrasyonu ile sürdürülebilir bir yaklaşım önermektedir. Günümüz havacılığında, yüksek enerji tüketen uçaklar için fosil enerji kaynaklarının kullanımından kaynaklanan artan karbon ayak izine karşı mücadele zorunlu hale gelmiştir. Uçuş sırasında deneyimlenen yüksek ışıınının, uçağın kanatlarına entegre edilmiş fotovoltaik paneller aracılığıyla toplanmasıyla, tasarlanan bir çevirici sistemi güneş enerjisini ana elektrik sistemine güç olarak dönüştürmeyi sağlamaktadır. Tek uçlu primer indüktör çevirici (SEPIC) hem gerilim indirgeme hem de gerilim yükseltme işlevselliği için ayırt edilen bu çevirici, değişken ışıının koşullarına uyum sağlayarak geniş bir işletme aralığına ve yüksek verimliliğe ulaşmayı garanti etmektedir. Önerilen sistem MPPT ile optimize edilmiş P&O algoritması ile dinamik ve statik performansı dikkat çeken PI kontrol yöntemi bir araya getirilerek güneş enerjisinin en yüksek verimlilikle entegrasyonunu başarmakta ve batarya şarjı için sabit bir çıkış gerilimi sağlamaktadır. Tasarlanan çevirici devresinin entegrasyonu, uçağın genel ağırlığının azaltılmasına ve ana güç bataryasının desteklenerek operasyonel menzilin artırılmasına katkı sağlamaktadır. Ayrıca, şarj sonrasında kontrol devresi, fazla enerjinin diğer uçak yüklerine dağıtımını yöneterek genel sistem performansını arttırmaktadır. Önerilen sistem ve kontrol yapısının kapsamlı simülasyonu ve uygulaması, Matlab/Simulink programı kullanılarak gerçekleştirilmiş olup, önerilen çevreci havacılık enerji sistemimin uygulanabilirliğini ve etkinliğini doğrulamaktadır.

Anahtar Kelimeler: Hava Aracı, DC-DC Dönüştürücü, SEPIC, Güneş Enerjisi, Batarya Şarj, MPPT, PI Kontrol

1.INTRODUCTION

The amount of carbon dioxide emissions of aircraft has a large share in the amount of carbon dioxide emitted by the total transportation traffic in the world. For this reason, in recent years, research and applications on the use of alternative energy such as solar, hydrogen, biomass and nuclear energy instead of fossil jet fuel in aircraft have been gaining momentum (Airbus,2020). Solar cells and photovoltaic panels are used to use solar energy as alternative energy in aircraft. Photovoltaic cellular solar cells are systems with a semiconductor structure that can directly

convert radiation-dependent solar energy into DC electrical energy. There are many factors that affect this energy conversion, such as temperature, amount of radiation, sun angle, wind speed, humidity and air pollution, which show non-linear changes. Depending on the impact of these constantly changing factors, it is inevitable that the output powers of solar cells will also constantly change. Capturing the maximum output power points during these changes has become an extremely important problem for researchers. Because operating the system at maximum output points significantly affects energy efficiency (Köse,2018). MPPT (Maximum Power Point Tracking), is an algorithm developed to obtain maximum power from solar energy using PV modules. Various techniques have been developed for algorithm use. Among these techniques, P&O, that is, perturb-observe technique, is the most widely used technique due to its adaptability to weather conditions such as changing radiation and temperature and its iterative maximum power calculation approach. In the literature (Duman vd.,2014), using the mathematical model of the PV panel, MPPT points were found for different numbers of serial parallel connected PV panels and using the P&O algorithm under changing environmental conditions (Li vd.,2015). They developed a maximum power point tracking strategy for photovoltaic systems with DC bus under variable weather conditions. The proposed control strategy was observed through MPPT performance and usability experiments of the PV system using the shift-observe algorithm. Maximum power points can be obtained by using P&O technique, PID or PI controller to convert solar energy into electrical energy through PV panels. In order to use the produced electrical energy at constant and desired values, DC/DC converter circuit and PI, PID controllers must be used. Electrical energy with a constant voltage output, obtained by calculating the maximum power at values such as radiation and temperature that change during the day, is used in the systems where it is needed, while the excess energy is used to charge the battery (Özcan,2015). A PI control method is a control loop operation widely used in industrial process applications. A PI control method attempts to correct the error between a measured sample and a reference set point by calculating and then outputs a corrective action that can adjust the process according to controller. The calculation of PI control method involves two separate parameters, P and I values. The Proportional value calculates the reaction of the error; the Integral calculates the reaction based on the sum of recent errors (Karaarslan,Doğan,2017). In order to get the best out of the solar generation system, tracking the MPP is crucial. There are several methods for MPPT. Among the different methods, P&O is one of the most popular due to its simplicity (Farhat ve arkadaşları,2017). In this study, the P&O technique, one of the MPPT algorithms used to increase efficiency, was

applied together with the PI controller to the use of photovoltaic panels that convert solar energy into electrical energy in aircraft. In order to use the electrical energy obtained from the panels to feed the battery charged with constant voltage and the loads other than the battery, a system was created by applying a PI controller to the SEPIC topology from DC/DC converters. The performance of the SEPIC converter and the PI controller used in the MPPT algorithm has been examined in detail in terms of simulation studies and experimental studies obtained using MATLAB/Simulink.

2.MATERIALS AND METHODS

2.1. PV Panel and Maximum Power Point Tracker (MPPT)

Solar cells are used to convert solar energy, a renewable energy source, into electrical energy. Solar panels are produced by combining many solar cells of various sizes and values according to energy and space needs. Thus, solar energy is converted into electrical energy with the PV (photovoltaic) effect and the power needed by the propulsion and electronic systems is obtained. The intensity of sunlight, cloudiness and air temperature affect the electrical power produced by the solar panel (Gao, Z ve arkadaşları,2013) . Solar cells are named according to the material used in their construction and there are many types. Depending on the material used, its efficiency varies between 5% and 25% (E.İ.E,2021). Monocrystalline panels are made of high-purity silicon, black in color and offer up to 24% efficiency; but they are costly. Polycrystalline panels are blue in color, have a simpler production process, offer around 18% efficiency and are more affordable (www.isosenerji.com). Polycrystalline panels were preferred due to reasons such as their diversity and high availability in the market.

Table 1. Parameters of PV Panel

Parameter	Value
Power	60W
Open Circuit Voltage (Voc)	22.10V
Maximum Voltage (Vmp)	18V
Short Circuit Current (Isc)	3.68A
Maximum Current (Imp)	3.33A
Module Size	670*600*25 mm
Weight	7 kg

In serial connection of solar panels, the current passing through the panels is constant and the voltage is the sum of the voltage value of each panel. In parallel connection, the voltage value on the panels is constant and the current value is the sum of the current value of each panel. The photovoltaic panels selected according to the area on the wings of the aircraft and the 2kW power requirement for the battery were connected as 5 parallel and 7 serial, and PV panels with the values in Table 1 were used in line with the needs. Since the system design is made in accordance with the aircraft, the irradiance and temperature values that may be affected by the aircraft's altitude during the flight vary. The obtained altitude-temperature (The Engineering ToolBox,2003) and altitude-irradiance (ASHARE,2011) values were used and integrated into the system as shown in Figure 1, thus simulation outputs close to the real results were observed.

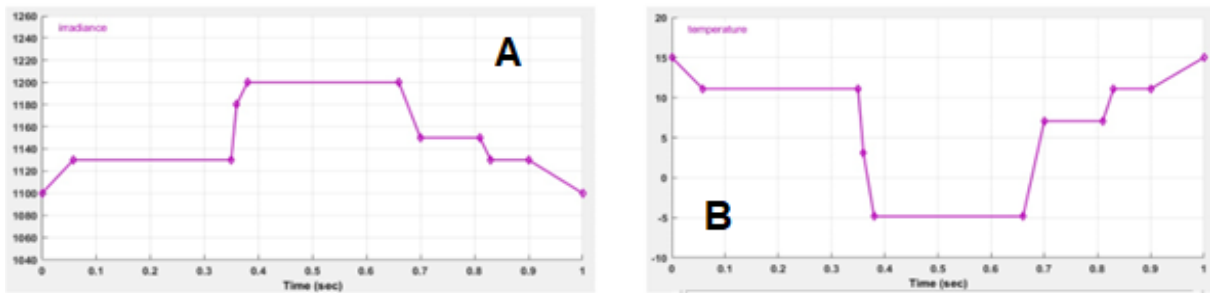


Figure 1. (A) Irradiance-Time Graph, (B) Temperature-Time Graph

Weather conditions, temperature, humidity, irradiance, etc. Although parameters such as these vary, the MPPT system was used in the system design to make maximum use of the current and voltage values measured from the solar panels. MPPT calculates the maximum power using the current and voltage values obtained from photovoltaic panels and ensures that the power obtained from the panels is transferred to batteries or electrical loads at maximum. The maximum power graph of the MPPT algorithm is shown in Figure 2.

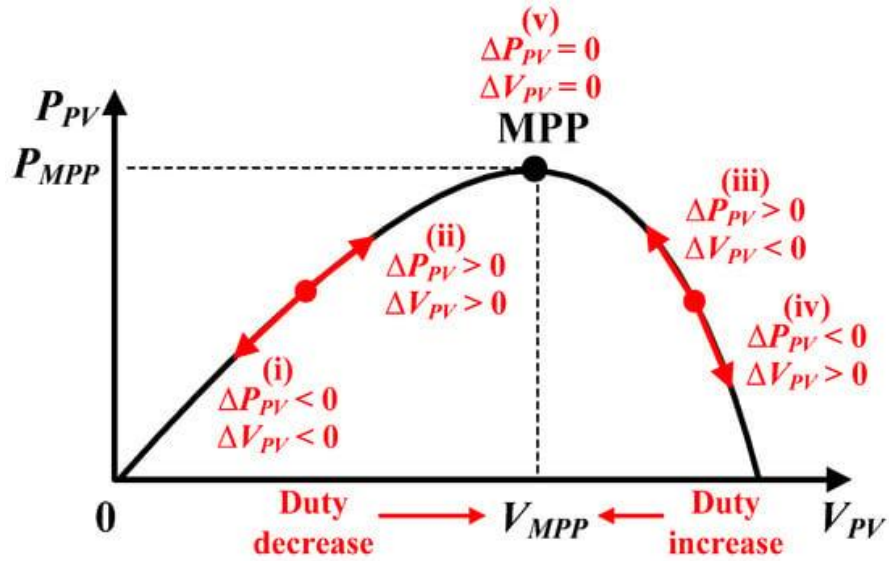


Figure 2. Maximum Power Graph of the MPPT (Lee, H.-S,2019)

There are various MPPT algorithms developed to track the maximum point. Among these algorithms, the advantages of direct control methods are compatible with our system. In this method, the panel output power is constantly monitored and compared with the previous power value, and the system is aimed to operate in the most ideal conditions. The biggest advantage of these methods is that they can obtain the maximum power available from the PV module under current operating conditions by constantly measuring the voltage and current. Therefore, these methods are suitable for every radiation and temperature value (Salas vd.,2006). The algorithm created according to the Perturb and Observe (P&O) method, the most used of these methods, was integrated into the system. According to the P&O method, it can adapt to changes in external factors such as temperature and light intensity, and its oscillation around the maximum power point is low. It was preferred because it does not vary depending on the panel type and is a basic algorithm that can give accurate results. The program flow diagram of the Perturb&Observe Method designed within the project is shown in Figure 3.

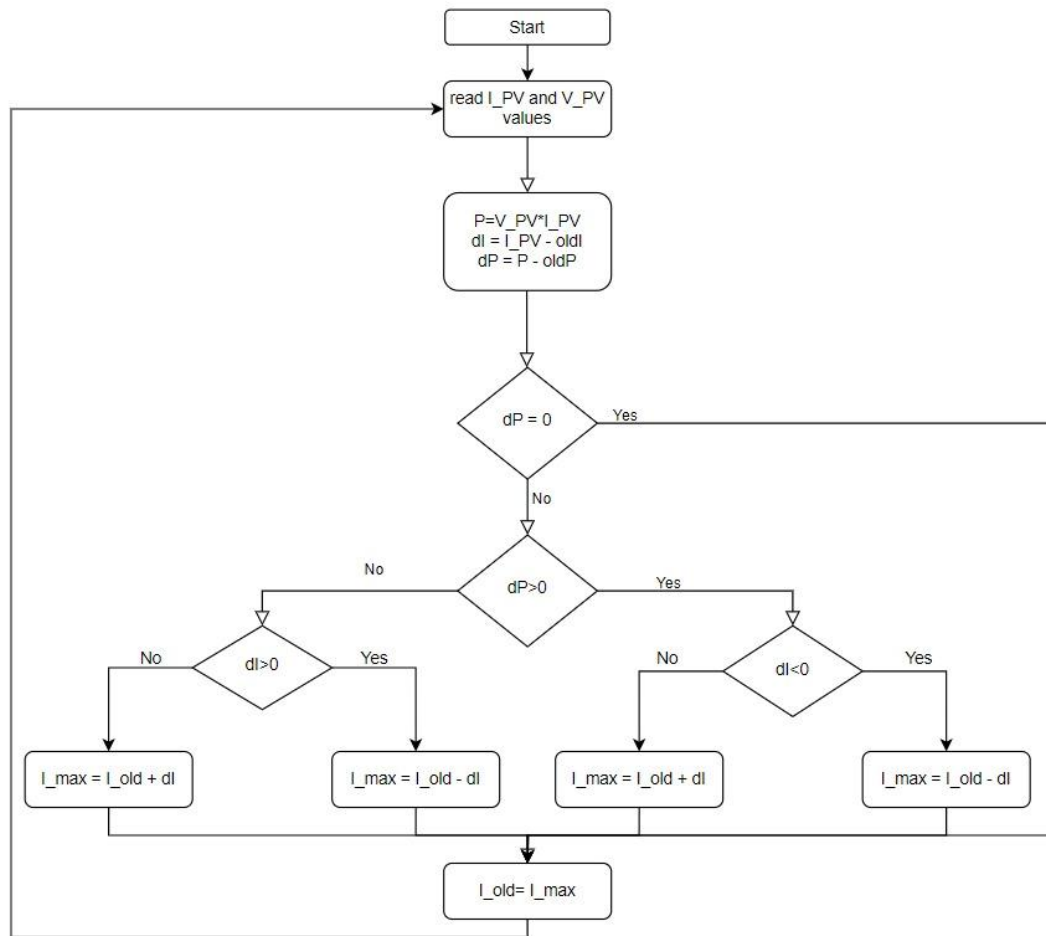


Figure 3. Flowchart of Perturb and Observe (P&O) Method Algorithm

According to this method, the current and voltage values of the panel are constantly read and the instantaneous power value is calculated. With the inverter, the current of the panel is changed at a small rate and the power change is calculated based on the initial situation. Depending on whether this change is positive or negative, the maximum power point is approached or moved away and the maximum power point is tried to be obtained by changing the current value according to the designed system algorithm.

2.2. DC/DC SEPIC Converter

In PV modules, due to reasons such as changing temperature, solar radiation and partial shading, a constant voltage suitable for continuous use cannot be obtained at the output of the modules. Therefore, switching direct current-direct current (DC-DC) converters consisting of semiconductor circuit elements and passive circuit elements are used to adjust the output voltage of the module to a fixed reference voltage (Bilgin, Yazıcı, 2021). SEPIC converter (Single-Ended Primary-Inductor Converter) is a converter in which step-down and step-up

converters work together. The input has the same electrical polarity as the output. The reason why this topology is preferred is that, since the SEPIC converter has two inductors, it provides an isolated structure when converting the input voltage to the output voltage (Karaarslan,2019). Therefore, it is understood that it is more advantageous than other step down/up converters. In addition to this advantage, it also has some additional advantages. They are listed as continuous input current, adjustable output voltage, reducing the current ripple at the input by reducing the need for filters, overcurrent limiting ability, ease of driving the semiconductor switch, and positive output voltage (Falin 2008).

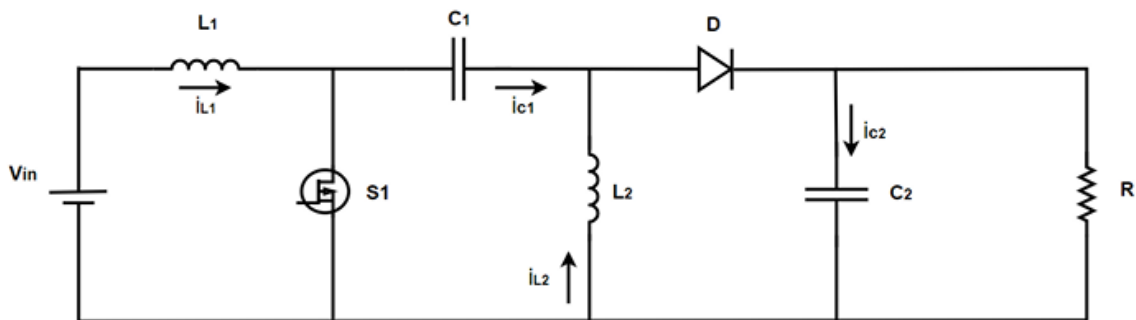


Figure 4. SEPIC Converter Circuit Diagram [18]

As seen in Figure 4, the SEPIC converter consists of a DC input voltage source, two coils, two capacitors, a switch, a diode and a load. Here, element values must be calculated according to the DC voltage source, load and desired output voltage value. In order to adjust the output voltage to the desired value according to the source voltage, which is the first stage of DC-DC converter application, the duty period, coil, capacitor, switching element (MOSFET) and diode values must be calculated (Kalçık,Çorapsız,2020).

Tablo 2. SEPIC Converter Circuit Parameters

Parameters	Value
Dmin	0.18
L1	200uH
L2	85uH
C1	85uF
C2	400uF
Vout	28V
P	2kW

Table 2 shows the calculated values for the SEPIC Converter. When the calculated values of the converter were tested in the simulation program, the targeted values were reached. The design of the entire system in MATLAB/Simulink is shown in Figure 5.

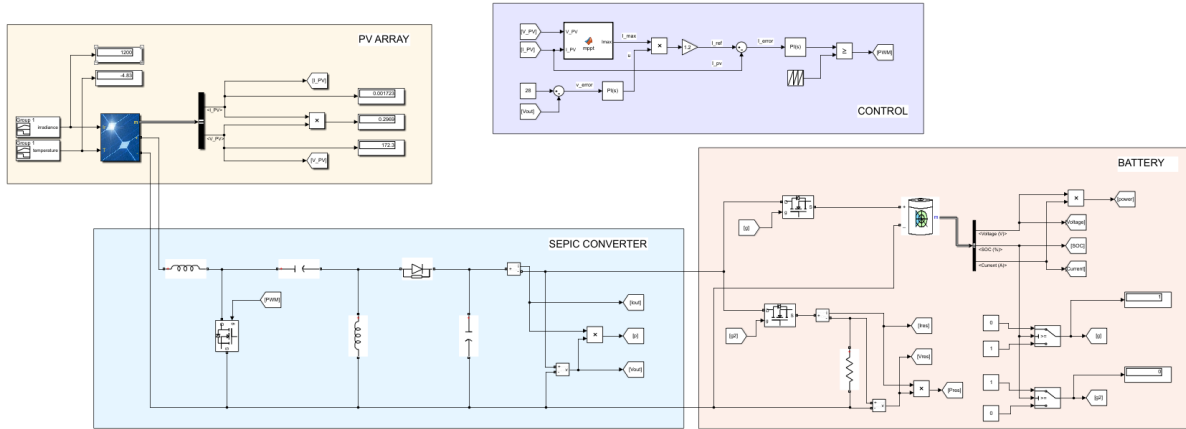


Figure 5. Simulation Model of The System Design

3. PROPOSED CONTROL METHOD

3.1 Multiloop Control

By using the MPPT technique, solar energy is supplied to the system with high efficiency and the maximum current value (I_{max}) obtained from the MPPT output is used to obtain the reference current. On the other hand, the output voltage reference value of 28V is compared with the output voltage read from the system and passed through the PI controller, and the signal obtained at the controller output is called 'u'. The PI controller comprises proportional and integral controllers. The controller improves the response speed and system stability. By comparing the measured and reference values, the error signal is generated which in turn is used to drive the controller to generate the control signal such that the error signal is reduced to nearly zero. The controller reduces the error signal overshoot and takes it to the level of steady state (Farzin ve arkadaşları.2018). In addition to reducing the error between the reference and the measured value over time and ensuring that the system reaches the reference value, the PI controller can also be designed to keep important parameters in terms of system behavior such as overshoot, settling time and rise time at the desired levels by using transfer functions (Kaysal ve arkadaşları,2022). At this stage, the most appropriate proportional coefficient determined as 0.001 and the integral coefficient was 15, considering the maximum oscillation that the system response of the proposed multiloop control method reached within the stability limit. A reference current 'Iref' is obtained by using the 'u' signal obtained from the output voltage and

the maximum current value obtained from the MPPT output. By comparing this reference current with the current value produced from the PV panel, the error rate obtained is passed through the PI controller. The maximum oscillation values within the stability limits of this second control system are examined and it is decided that the most appropriate proportional coefficient is 0.1 and the integral coefficient is 100. The PWM signal is generated by comparing the signal obtained from the controller output with the 50kHz saw signal in order to trigger the MOSFET, which is the switching element. The proposed multiloop control design of the system is shown in Figure 6.

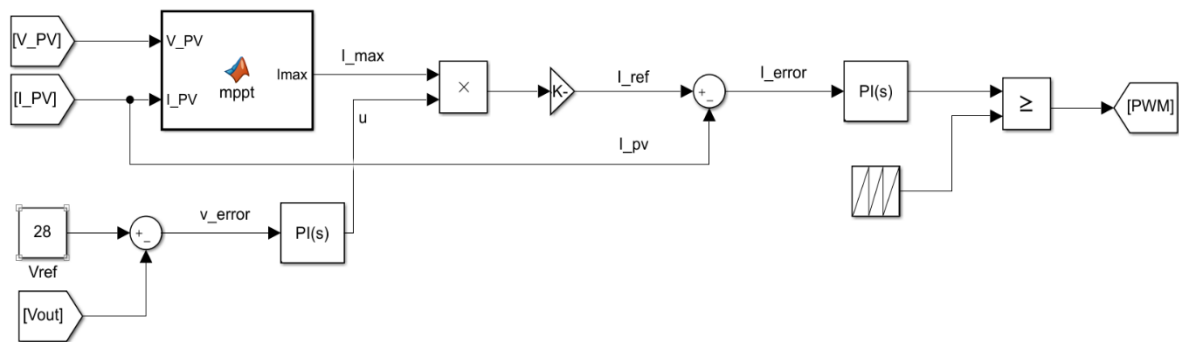


Figure 6. Proposed Multiloop Control Design of System

With the proposed multiloop control system design, the system output is proportional to the reference value, thus a constant voltage is obtained to be used in battery charging and the maximum value that can be obtained from the solar panel is integrated into the system, ensuring high efficiency. Current radiation and temperature values are changed over time, taking altitude change as a reference. The reaction of this change in the output values is observed. Thanks to the designed control structure, the system reacts to these changes by keeping the 28V output voltage constant. It is observed that the theoretical result of this control method is the same as the results of the simulation. When the output values are examined in detail, it is observed that it has 5ms steady state time, 0.02% voltage ripple and 0.1% current ripple values. The response of the control design to changing radiation-temperature values is shown in Figure 7.

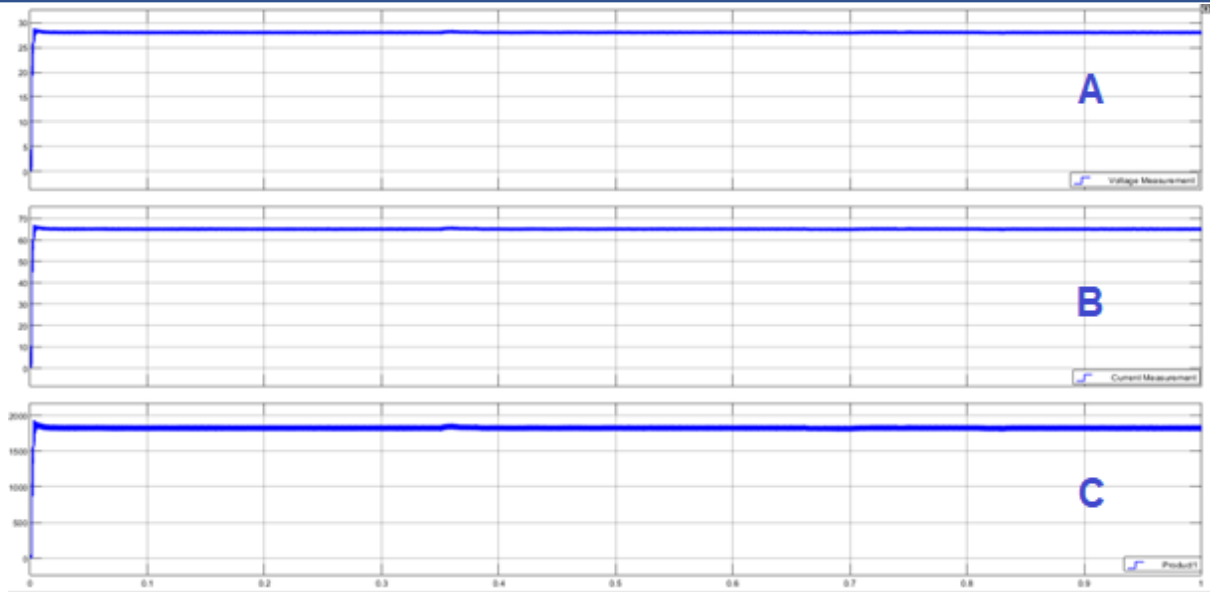


Figure 7. Output (A) Voltage, (B) Current, (C) Power Graph of the Proposed Multiloop Control Design in System

3.2. Battery Charge Control

In this way, solar energy is converted into electrical energy in the aerial device, the energy received from the photovoltaic panels is converted and a constant 28V output is provided with the proposed control design. This constant output voltage will be used to charge the battery used in the aircraft power system supply and to feed other loads in the system after the battery receives its charge. A switching control scheme has been designed to provide battery charging control. Thanks to this charge controller design, when the battery usage rate (SOC) exceeds 80%, the power transferred to the battery can be cut off and other loads can be accessed. The most preferred energy storage systems in solar powered aircraft are Li-Po, Li-ion, LiS batteries and fuel providers. Li-ion batteries are preferred for electric land and air vehicles and solar energy vehicle applications with an energy density of approximately 200Wh/kg (Berradi ve arkadaşları,2016) . Since the designed system is intended to be used in aircraft, a Lithium-Ion battery with a capacity of 30Ah was used. Thanks to this project, the aircraft's energy needs are supported by solar energy, thus reducing flight weight and increasing range. The control structure designed in MATLAB/Simulink for the battery is shown in Figure 8. According to the created control structure, the Voltage-SOC-Current-Power graphs of the battery in the charging state are shown in Figure 9, and the Voltage-SOC-Current-Power graphs of the battery in the discharged state are shown in Figure 10.

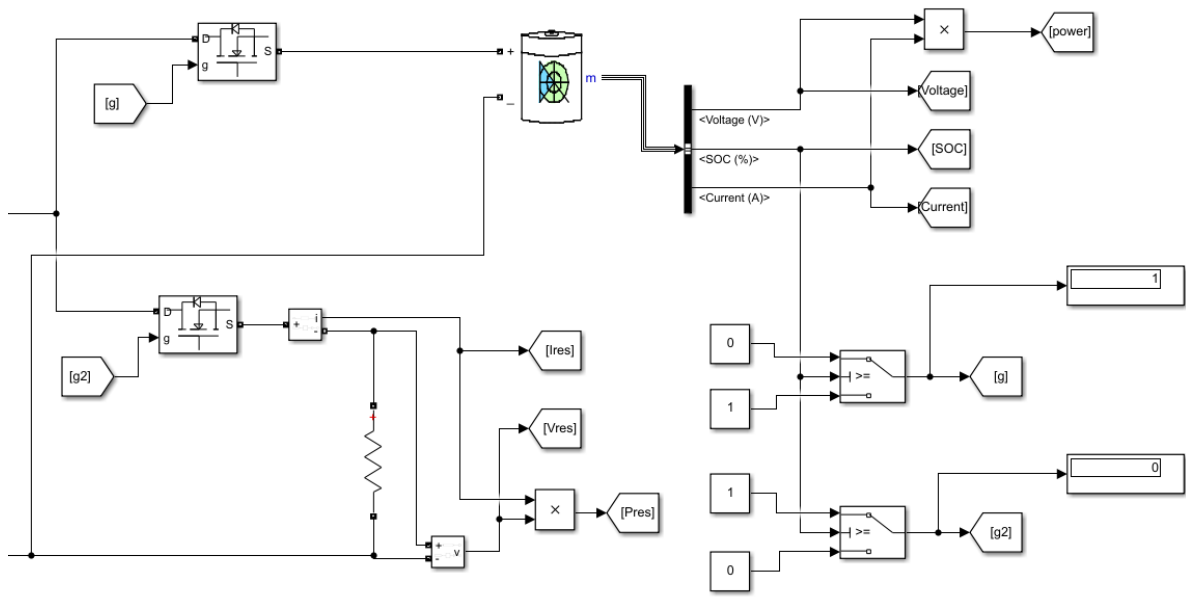


Figure 8. MATLAB/Simulink Battery Control Design

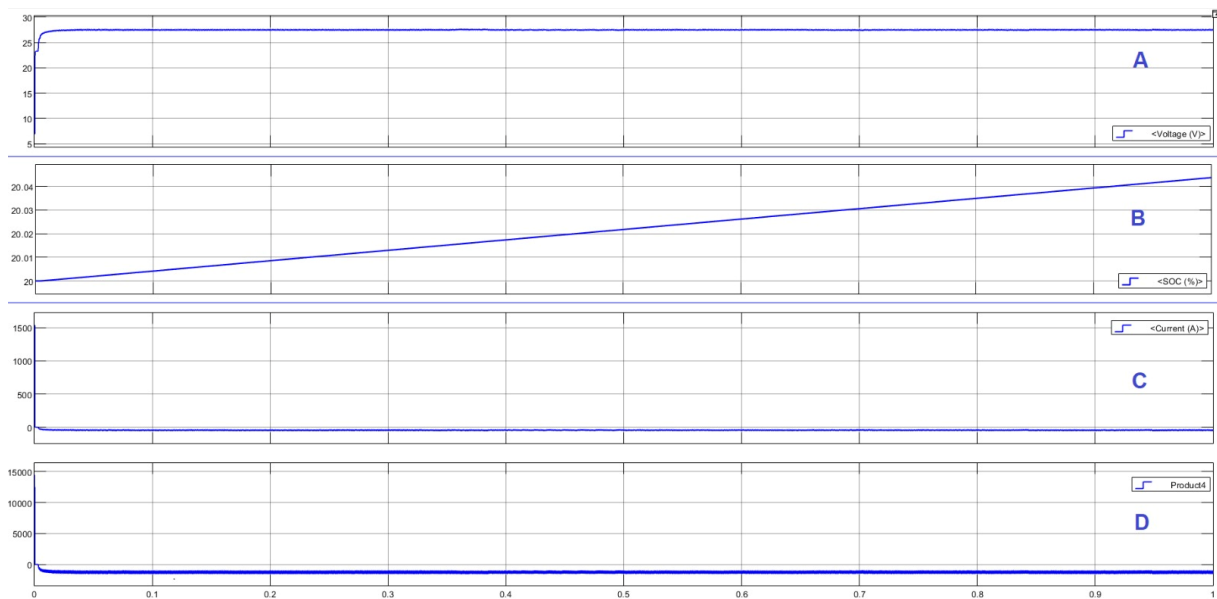


Figure 9. (A) Voltage, (B) SOC, (C) Current (D) Power Graphs of the Battery in Charging Mode

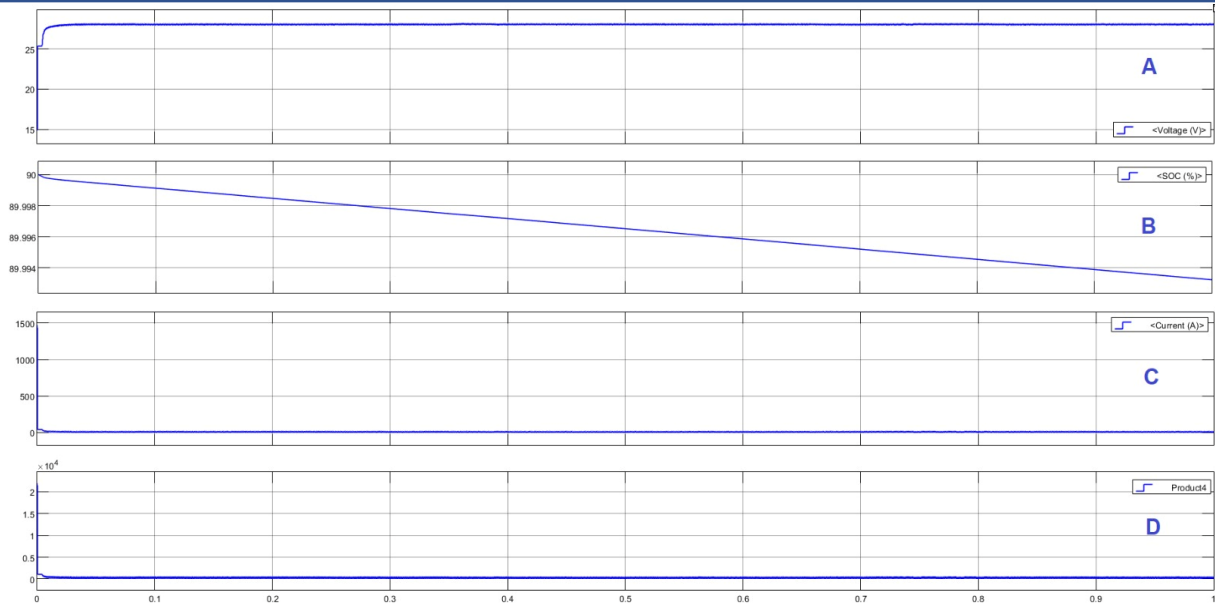


Figure 10. (A) Voltage, (B) SOC, (C) Current (D) Power Graphs of the Battery in Discharging Mode
 When the values read on the battery were examined, it was observed that the voltage value was 28V and that it passed negative current during charging and positive current during discharge. In addition, it can be observed from the simulation outputs that the SOC percentage decreases in a 1-second period during discharge and increases during charging.

4. ACKNOWLEDGEMENT

This study was supported by Turkish Aerospace Industries. We thank our advisor in TAI from Yılmaz Kara who provided insight and expertise that greatly assisted the research.

5. CONCLUSION

In this study, collecting solar energy through PV panels integrated into the unmanned aerial vehicle and fixing the energy obtained using a dc-dc converter and using it to feed the battery was simulated in the MATLAB/Simulink program. In order to obtain maximum power from the energy collected from solar panels, the P&O algorithm optimized with MPPT is used in the system. Providing high efficiency in a wide range of DC/DC converter topologies, the SEPIC converter provided the targeted voltage and current values with the help of control algorithms, and these obtained values were used to feed the battery and non-essential loads. A multiloop control design is proposed to obtain constant voltage from the SEPIC converter output and to obtain maximum power from the panels. The switching control system created for the battery, which is charged using the electrical energy obtained, ensures that when the battery is charged, the excess energy going to the battery is stopped and transferred to other loads on the aircraft.

Thanks to this design, the aircraft's energy needs are supported by solar energy, thus reducing flight weight and increasing range. Thanks to the work we have done as a result of our project, the aircraft becomes environmentally friendly and compatible with new technologies that require more energy consumption in this field.

REFERENCES

- [1] Airbus. 2020. Airbus Reveals New Zero-Emission Concept Aircraft, 21 September 2020, <https://www.airbus.com/newsroom/pressreleases/en/2020/09/airbus-reveals-newzeroemission-concept-aircraft.html>.
- [2] KÖSE, E. (2018). Fotovoltaik Sistemlerin Maksimum Güç Noktasında Çalıştırılması. Dünya Multidisipliner Araştırmalar Dergisi, 2018(1), 8-27.
- [3] Duman, S. Yörükeren, N. ve Altaş, İ. H. (2014) Fotovoltaik Enerji Sistemlerinin Modellenmesi, Benzetimi ve Uygulaması. Journal of Advanced Technology Sciences 3(1): 9-23.
- [4] Li, S. (2015). A variable-weather-parameter optimization strategy to optimize the maximum power point tracking speed of photovoltaic system. Solar Energy, 113: 1-13.
- [5] Özcan, S.G. 2015. Design And Manufacturing Of A Solar Powered Unmanned Air Vehicle, Aerospace Engineering Department, METU, M.Sc. Thesis, 76 pgs, Ankara, Türkiye
- [6] A. KARAARSLAN And R. DOĞAN, "Modeling and Control of DC-DC Buck Converter using PEM Fuel Cell," gaziosmanpaşa bilimsel araştırma dergisi , vol.6, pp.94-105, 2017
- [7] Farhat, M., Barambones, O. and Sbita, L. (2017). A New Maximum Power Point Method Based on a Sliding Mode Approach for Solar Energy Harvesting. Applied Energy, 185, pp. 1185–1198. doi: 10.1016/j.apenergy.2016.03.055.
- [8] Gao, Z., Hou Z, Guo Zheng, Liu J., Chen X. 2013. Energy management strategy for solar-powered high-altitude long-endurance aircraft, Energy Conversion and Management, Vol. 70 pp.20–30. DOI: 10.1016/j.enconman.2013.01.007.
- [9] E.İ.E. 2021. Yenilenebilir Enerji Genel Müdürlüğü, http://www.eie.gov.tr/yenilenebilir/g_enj_tekno.a_spx
- [10] www.isosenerji.com
- [11] The Engineering ToolBox (2003). Air Temperature, Pressure and Density vs. Altitude. [online] Available at: https://www.engineeringtoolbox.com/air-altitude-temperature-d_461.html
- [12] Effects Of Altitude On Photovoltaic Production Of Hydrogen- Scientific Figure on ResearchGate. https://www.researchgate.net/figure/Solar-irradiance-vs-the-altitude-ASHRAE-Model-Diffuse-solar-radiation-W-Knaupp-and_fig6_257334017
- [13] Lee, H.-S.; Yun, J.-J. Advanced MPPT Algorithm for Distributed Photovoltaic Systems. *Energies* **2019**, *12*, 3576.
- [14] Salas, V., Olías, E., Barrado, A. & Lazaro, A. (2006). Review of the maximum power point tracking algorithms for stand-alone photovoltaic systems. Solar Energy Materials & Solar Cells 90(11), 1555-1578. <https://doi.org/10.1016/j.solmat.2005.10.023>
- [15] Bilgin, Yazıcı, "FOTOVOLTAİK SİSTEMLERDE KISMİ GÖLGELENME KOŞULLARINDA MAKSİMUM GÜÇ TAKİBİ", yüksek lisans tezi YÖK,2021
- [16] A.Karaarslan, "Bilgisayar Sistemlerinde SEPIC Dönüştürücü Uygulaması ve Benzetim Çalışması", Bilişim Teknolojileri Dergisi (2), 111-112, 2019.
- [17] Falin, J., 2008. Designing Dc/Dc Converters Based On Sepic Topology. Analog Applications Journal, 18-23
- [18] M.Kalçık, F. Çorapsız, "SEPIC DÖNÜŞTÜRÜCÜNÜN ANALİZİ VE FARKLI KONTROL YÖNTEMLERİ İLE ÇIKIŞ GERİLİMİNİN DENETLENMESİ", yüksek lisans tezi YÖK, 2020
- [19] A. Farzin, P. Sawai, E. Kei, L. Ngo, C. Dorf, "Modeling uncertainties in DC-DC converters with MATLAB and PLECS", Morgan & Claypool. 2018.
- [20] Kaysal, Ahmet & Koroglu, Selim & Oğuz, Yüksel & KAYSAL, Kübra. (2022). Design and experimental implementation of DC-DC converter based self-tuning fuzzy PI controller. Gazi Üniversitesi Mühendislik-Mimarlık Fakültesi Dergisi. 38. 10.17341/gazimmfd.739775.

[21] Berradi S., Moutaouakkil F., Medromi H. 2016. Hybrid Electrical Architecture for Vertical Takeoff and Landing Unmanned Aerial Vehicle, EAS research group, ENSEM, Hassan University of Casablanca, Morocco.

FINANSAL PERFORMANSIN ÇOK KRİTERLİ KARAR VERME YAKLAŞIMI İLE KARŞILAŞTIRILMASI

Gazi Ünal BEKEN

Yıldız Technical University, Faculty of Economics and Administrative Sciences, Department of Business Administration, Davutpaşa Campus

ORCID ID: 0009-0005-0375-1832

Beyza ÖZKÖK

Yıldız Technical University, Faculty of Economics and Administrative Sciences, Department of Business Administration, Davutpaşa Campus

ORCID ID: 0000-0003-2763-1665

ÖZET

Finansal performansın tanımı, ekonomik birimler tarafından uygulanan politika ve önlemlerin sonuçlarının parasal ifadesidir. Yüksek düzeyde finansal performans, ülkelerin gelişmişliğinin, şirketlerin kârlılığının ve sürdürülebilirliğinin, bireylerin refahının bir göstergesidir. Ekonomilerin kaynakları sınırlıdır ve talep sürekli artmaktadır. Ülkeler, şirketler ve bireyler, günümüz koşullarında karar verme süreçleriyle finansal durumlarını şekillendirebilmektedirler. Geçmiş veya güncel veriler karar verme sürecine rehberlik sağlayabilir. Bu çalışmada hizmet & ticaret şirketlerine yönelik geliştirilen ve şirketlerin finansal performanslarını karşılaştırma olanağı sunan Altman Z-Score modeli ele alınmıştır. Karar problemi için kriter olarak Altman Z-Score modeline ait dört finansal oran tanımlandı. Şirketlerin finansal performansını ölçmek için gerekli finansal oranların elde edilmesi amacıyla Borsa İstanbul'da işlem gören turizm şirketlerinin 2022 yılı mali tabloları incelendi. Bu mali tablolara Kamuyu Aydınlatma Platformu'nda (KAP) yayınlanan raporlardan ulaşılmıştır. Bu çalışmada yaygın olarak kullanılan ve önemli bir çok kriterli karar verme tekniği olan Analitik Hiyerarşi Süreci (AHP) kullanılmıştır. AHP uygulamasının alternatifleri Borsa İstanbul'da işlem gören turizm şirketleridir. Tanımlanan kriterler şunlardır: $X_1 = \text{işletme sermayesi} / \text{toplam varlıklar veya kaynaklar}$, $X_2 = \text{dağıtılmayan karlar} / \text{toplam varlıklar veya kaynaklar}$, $X_3 = \text{faiz ve vergi öncesi kazançlar} / \text{toplam varlıklar veya kaynaklar}$, $X_4 = \text{özsermayenin defter değeri} / \text{toplam yükümlülükler}$, kriterler AHP ile ağırlıklandırılmış . AHP ile belirlenen kriter ağırlıkları kullanılarak TOPSIS ve MOORA oran yöntemleri kullanılarak finansal performanslar karşılaştırılmış ve sıralanmıştır. Son aşamada ise Altman Z-Score modeli kullanılarak belirlenen sıralamalar değerlendirilmiştir.

Anahtar Kelimeler: Çok Kriterli Karar Verme, AHP, TOPSIS, MOORA, Finansal Performans, Altman Z-Skor Modeli

COMPARISON OF FINANCIAL PERFORMANCE WITH MULTIPLE CRITERIA DECISION MAKING APPROACH

ABSTRACT

The definition of financial performance is the monetary expression of the results of the policies and measures implemented by economic units. A high level of financial performance is an indicator of the development of countries, the profit and sustainability of companies and the prosperity of individuals. Economies have limited resources and demand is constantly increasing. Countries, companies and individuals can shape their financial situation through decision-making processes under current conditions. Past or current data can guide decision-making process. In this study, the Altman Z-Score model was discussed, which was developed for services & trade companies and offers the possibility to compare the financial performance of companies. Four financial ratios of the Altman Z-Score model were defined as criteria for the decision problem. In order to obtain the financial ratios required to measure the financial performance of the companies, the financial statements of the year 2022 of the tourism companies listed on the Borsa Istanbul Stock Exchange were examined. These financial statements were accessed through reports published on the Public Disclosure Platform (KAP). In this study, Analytical Hierarchy Process (AHP), a widely used and important multi-criteria decision making technique, was used. The alternatives of AHP application are tourism companies listed on Borsa Istanbul Stock Exchange. The defined criteria are $X_1 = \text{working capital} / \text{total assets or resources}$, $X_2 = \text{retained earnings} / \text{total assets or resources}$, $X_3 = \text{earnings before interest and taxes} / \text{total assets or resources}$, $X_4 = \text{book value of equity} / \text{total liabilities}$, weighted by AHP. The financial performances were compared and ranked using the TOPSIS and MOORA ratio methods, using the criteria weights determined with the AHP. In the final phase, the rankings determined using the Altman Z-Score model were evaluated.

Keywords: Multi-Criteria Decision Making, AHP, TOPSIS, MOORA Financial Performance, Altman Z-Score Model

ROBOTİK KODLAMANIN ALGORİTMİK DÜŞÜNME BECERİLERİNE ETKİSİ

İlker CANDAN

Kırıkkale Üniversitesi/Bilgisayar ve Öğretim Teknolojileri Eğitimi

ORCID ID: 0009-0008-1215-7060

Sinan ÇETİN

Tokat GOP Üniversitesi Lisansüstü Eğitim En/Bilgisayar ve Öğretim Teknolojileri/Eğitim Öğrencisi

ORCID ID: 0009-0001-6466-7897

ÖZET

Robotik kodlama, eğitimde hızla benimsenen bir yaklaşım olarak öne çıkmakta ve özellikle algoritmik düşünme becerilerinin gelişiminde önemli bir rol oynamaktadır. Bu bildiri, robotik kodlamanın özellikle çocuklar ve gençler üzerindeki algoritmik düşünme becerilerine olan etkilerini incelemektedir. Teknolojik ilerlemeler ve eğitimdeki yenilikçi yaklaşımlar ışığında, bu çalışma robotik kodlamanın eğitimdeki önemini ve potansiyelini ele almaktadır. Çalışma, robotik kodlamanın algoritmik düşünme üzerindeki etkilerini incelemek üzere doküman analizi yöntemi kullanılarak robotik kodlama, algoritmik düşünme, STEM eğitimi ve eğitimde teknoloji kullanımı üzerine var olan çalışmalar gözden geçirilmiştir. Bunun yanı sıra, çeşitli eğitim kurumlarından alınan örnek olay incelemeleri ve uygulamalar, bu teknolojinin öğrenci başarısı ve beceri gelişimi üzerindeki etkilerini değerlendirmek için kullanılmıştır. Robotik kodlama, öğrencilere karmaşık problem çözme, mantıksal düşünme, eleştirel düşünme ve yaratıcı düşünme gibi çoklu düşünme becerilerini geliştirme imkânı sunmaktadır. Öğrenciler, robotik kodlama ile pratik ve teorik bilgilerini birleştirme şansı bulmakta, bu sayede öğrenme süreçleri somutlaşmakta ve anlam kazanmaktadır. Ayrıca, robotik kodlamanın grup çalışması ve işbirliğine teşvik ettiği, bu sayede öğrencilerin sosyal becerilerinin gelişimine katkı sağladığı gözlemlenmiştir. Robotik kodlamanın eğitimde kullanımı, öğrencilere teknolojik beceriler kazandırmanın yanı sıra kritik düşünme ve problem çözme gibi temel becerileri de geliştirmektedir. Bununla birlikte, bu teknolojinin etkin kullanımı için öğretmenlerin yeterli eğitim alması, eğitim materyallerinin güncellenmesi ve teknolojik altyapının güçlendirilmesi gibi bir dizi faktörün göz önünde bulundurulması gerekmektedir. Ayrıca, robotik kodlamanın her öğrenciye ulaşabilmesi için eğitimde fırsat eşitliğinin sağlanması önemlidir. Robotik kodlama, algoritmik düşünme becerilerini geliştirmede önemli bir potansiyele sahiptir. Eğitim sistemleri, bu potansiyeli değerlendirerek öğrencileri modern dünyanın gereksinimlerine uygun bir şekilde hazırlamalıdır. Öğrencilere pratik deneyimler sunarak, işbirliği becerilerini geliştirmektedir.

Anahtar Kelimeler: Robotik, Kodlama, Algoritmik Düşünme

THE EFFECT OF ROBOTIC CODING ON ALGORITHMIC THINKING SKILLS

ABSTRACT

Robotic coding stands out as a rapidly adopted approach in education and plays an important role especially in the development of algorithmic thinking skills. This paper examines the effects of robotic coding on algorithmic thinking skills, especially on children and young people. In the light of technological advances and innovative approaches in education, this study addresses the importance and potential of robotic coding in education. The study reviews existing studies on robotic coding, algorithmic thinking, STEM education and the use of technology in education by using document analysis method to examine the effects of robotic coding on algorithmic thinking. In addition, case studies and applications from various educational institutions were used to evaluate the effects of this technology on student achievement and skill development. Robotic coding offers students the opportunity to develop multiple thinking skills such as complex problem solving, logical thinking, critical thinking and creative thinking. With robotic coding, students have the chance to combine their practical and theoretical knowledge, so that their learning process becomes concrete and meaningful. In addition, it was observed that robotic coding encourages group work and cooperation, thus contributing to the development of students' social skills. The use of robotic coding in education not only provides students with technological skills but also develops basic skills such as critical thinking and problem solving. However, for the effective use of this technology, a number of factors need to be taken into consideration, such as adequate training for teachers, updating educational materials and strengthening the technological infrastructure. In addition, it is important to ensure equality of opportunity in education so that robotic coding can reach every student. Robotic coding has a significant potential in developing algorithmic thinking skills. Education systems should utilize this potential and prepare students in accordance with the requirements of the modern world. It provides students with practical experiences and improves their collaboration skills.

Keywords: Robotics, Coding, Algorithmic Thinking

BİTKİ BESİN ELEMENTLERİNİN BİTKİ HASTALIKLARI ÜZERİNE OLAN ETKİLERİ

Arş. Gör. Mehmet ATAY

Adıyaman Üniversitesi, Ziraat Fakültesi, Bitki Koruma Bölümü, Adıyaman

ORCID ID: 0000-0001-5751-4764

Doktorant Murat KARACA

Hatay Mustafa Kemal Üniversitesi, Ziraat Fakültesi, Bitki Koruma Bölümü, Hatay

ORCID ID: 0000-0002-3752-7581

ÖZET

Bitki besin elementleri, bitkilerin normal bir şekilde gelişip büyüebilmesi için gerekli olan temel besin maddeleri olup makro ve mikro elementler olarak sınıflandırılmaktadır. Azot, fosfor, potasyum, kükürt, kalsiyum ve magnezyum makro besin elementlerini oluştururken bor, klor, molibden, bakır, demir, mangan ve çinko ise bitki gelişimi için gerekli mikro besin elementlerdendir. Bitki besin elementleri ve bitkilerde hastalık oluşturan etmenler arasında bir ilişki mevcut olup bu ilişki karmaşık bir yapıya sahiptir. Bitkisel üretim yapılan tüm alanlarda farklı türlerde fungal, bakteriyel ve viral hastalık etmenleri mevcut olup besin elementlerinin tümü bitki gelişimini destekleyerek bitkinin bu alanlarda yer alan çeşitli patojenlere karşı duyarlılığını etkilemektedir. Bitkiler yeterli miktarda besin elementi almadığı takdirde genellikle dirençlerinde azalma görülmekte ve çeşitli hastalık etmenlerine karşı daha hassas olmaktadır. Bütün makro ve mikro besin elementleri hastalık etmenleri üzerinde aynı derecede etkiye sahip olmamaktadır. Örneğin önemli bir makro besin elementi olan azot bir hastalık etmeninin oluşmasını destekleyebilirken bir başka hastalık etmeninin gelişimini engelleyebilir veya azaltabilmektedir. Benzer şekilde mikro elementleri de bitki hücre duvarı ve membran bütünlüğünü etkileyerek direkt olarak hastalık etmenleri üzerinde toksik etki oluşturarak hastalık etmenlerinin bitkiye penetre olmasını ve enfeksiyon şiddetinin azaltılması yönünden etki yapabilmektedir. Bitki besin elementlerinin bitki hastalıkları üzerine olan etkileri üzerine çeşitli araştırmalar yapılmış olup bu etkilerin de göz önüne göz önünde bulundurularak yapılacak uygun beslenme programlarının çok sayıda hastalığın olumsuz etkilerinin azaltılmasına yönelik önemli katkılarının olacağı söylenebilir. Bu derlemede, bitki besin elementlerinin bitki hastalık etmenlerinin gelişimi üzerine etkileri genel olarak ele alınmıştır.

Anahtar Kelimeler: Bitki Besin Elementleri, Bitki Hastalıkları, Gübreleme, Makro-Mikro elementler

EFFECTS OF PLANT NUTRIENT ELEMENTS ON PLANT DISEASES

ABSTRACT

Plant nutrients are essential nutrients necessary for plants to develop and grow normally and are classified as macro and micro elements. Nitrogen, phosphorus, potassium, sulfur, calcium and magnesium are macro nutrients, while boron, chlorine, molybdenum, copper, iron, manganese, zinc, aluminum, cobalt, sodium, nickel and silicon are micronutrients necessary for plant growth. There is a relationship between plant nutrients and disease causing agents in plants and this relationship has a complex structure. Different types of fungal, bacterial and viral disease agents are present in all areas of crop production and all nutrients support plant growth and affect the susceptibility of the plant to various pathogens in these areas. If plants do not receive adequate amounts of nutrients, their resistance is generally reduced and they are more susceptible to various disease agents. Not all macro and micronutrients have the same effect on disease agents. For example, nitrogen, an important macronutrient, can support the development of one disease agent while inhibiting or reducing the development of another disease agent. Similarly, micronutrients can affect the integrity of the plant cell wall and membrane and have a toxic effect directly on the disease agents, thereby reducing the penetration of the disease agents into the plant and reducing the severity of infection. Various studies have been conducted on the effects of plant nutrients on plant diseases and it can be said that appropriate nutrition programs to be made by taking these effects into consideration will have important contributions to reduce the negative effects of many diseases. In this review, the effects of plant nutrients on the development of plant disease agents are generally discussed.

Keywords: Plant Nutritional Elements, Plant Diseases, Fertilization, Macro-Microelements

1. GİRİŞ

Bitkilerin yaşamsal faaliyetlerini devam ettirebilmesi için gerekli olan zorunlu temel besin maddeleri, diğer besin elementlerince yeri doldurulamayan ve direkt olarak bitki metabolizması için gerekli olan ve eksikliğinde bitki yaşamını devam ettiremediği elementler olarak tanımlanmaktadır (Rice, 2007; Fageria ve ark., 2011). Bitkilerin gelişip büyüebilmesi için çok önceleri toprağa kül veya diğer mineral türlerinin eklenmesinin bitkiler açısından yararlı etkilerinin olduğu 2000 yıldan fazla süredir bilinmesine karşın farklı elementlerin rolüne ilişkin daha geniş bir anlayışın esas olarak 19. yüzyılda ortaya çıktığı bilinmektedir. Nitekim

günümüzde bitkilerin uygun bir büyüme ve gelişme sağlayabilmeleri adına en azından 17 bitki besin elementine ihtiyaç duydukları bilinmektedir (White, 2006; Gardiner ve Miller, 2008; Kirkby, 2012).

Bitki besin maddeleri makro ve mikro elementler olarak ikiye ayrılır ve bunlar bitkilerin büyüüp gelişmesinden sorumludur. Bu elementlerin bazıları bitkiler için hayati öneme sahipken bazıları da bitkilerin daha sağlıklı bir gelişim gösterebilmeleri için gereklidir. Mikro besin elementleri bor, klor, molibden, bakır, demir, mangan, çinko olup bunlar bitkiler için makro besin elementlerine kıyasla daha az miktarlarda gereklidir. Ancak bitkiler için makro besin elementleri kadar önemli olan bir element grubudur (Bolat ve ark., 2020). Azot, fosfor, potasyum, karbon, oksijen, hidrojen, kalsiyum, kükürt ve magnezyumdan oluşan makro besinler ise bitkiler tarafından büyük miktarlarda emilen besinlerdir ve aynı zamanda ana besinler olarak da adlandırılır. Özellikle azot, fosfor ve potasyum birincil ve önemli besin maddeleri olup bitkisel üretim sürecinde üreticiler tarafından dünya genelinde sıkça toprağa uygulanırlar (Fageria, 2005; 2007).

Bitkisel üretimde sürdürülebilir modern tarımsal faaliyetlerde verimlilik düzeyini artırmak için bitkilerin sağlıklı beslenebilmesi ve gübre kullanım etkinliğinin doğru ve orantılı artırılması önemlidir. Yapılacak doğru ve bilinçli gübreleme programları ile bitkilerin verimlilik düzeyi yüksek oranda etkilenecektir. Bunların yanı sıra bitki beslenme uygulamaları, bitki hastalık etmenlerini kontrol etme ve yönetiminin birincil bileşenini de oluşturmaktadır. Bitki beslemesi sadece verimi değil aynı zamanda bitki sağlığını ve çevreyi de etkileyebilmektedir (Katan, 2009). Nitekim bitki besin elementlerinin bitki hastalıkları üzerine olan etkileri üzerine çeşitli araştırmalar yapılmış ve bu etkilerin göz önüne göz önünde bulundurulması suretiyle yapılacak uygun besleme programlarının çok sayıda hastalığın olumsuz etkilerini azaltılmaya yönelik katkılarının olduğu saptanmıştır. Bu derlemede, bitki besin elementlerinin bitki hastalık etmenlerinin gelişimi üzerine olan etkileri genel olarak ele alınmıştır.

2. BİTKİ BESİN ELEMENTLERİNİN BİTKİ HASTALIKLARIYLA İLİŞKİSİ

Bitki besleme-hastalık ilişkileri kompleks bir yapıda olup bu ilişkinin genel olarak bitkilerin beslenmesiyle öncelikle daha kalın hücre duvarlarının geliştirilmesi yoluyla mekanik bariyerlerin oluşturulması veya patojenlere karşı koruma sağlayan fitoaleksinler, antioksidanlar ve flavanoidler gibi doğal savunma bileşiklerinin sentezi gibi iki tür direnç mekanizmasının olduğundan ileri geldiği bildirilmiştir (Bhaduri ve ark., 2014; Prakash ve Verma 2016;

Priyadharsini ve Muthukumar 2016; Calzarano ve ark., 2017). Bir bitkinin bir hastalık etmeni tarafından enfekte edilmesi, konukçu bitkinin fizyolojisini, özellikle de besin alınımını, asimilasyonu ve translokasyonu değiştirmektedir (Engels ve Marschner, 1995). Enfeksiyon sonrası patojenler, bitki besin elementlerini toprak rizosferinde ya da enfekteli dokularda hareketsiz hale getirebilir (Dordas, 2008) ya da bitkiler tarafından kullanımına müdahale ederek besin eksikliği ya da toksisiteye neden olabilir (Huber ve Graham, 1999). Ayrıca patojenlerin kendileri de besin maddelerini kullanarak bitki tarafından alınacak besinleri azaltarak besin eksikliği nedeniyle ikincil enfeksiyonlara karşı bitkinin duyarlılığını artabildiği de bildirilmiştir (Timonin, 1965).

Bazı besin maddelerinin bitki hastalıkları üzerinde olan etkilerinin diğerlerine göre daha büyük bir etkisi vardır. Örneğin mikro besin elementlerince bitki hastalıklarına karşı direnç ve tarımsal üretimde verim sağlanabilir. Buna rağmen belirli bir besin maddesinin farklı hastalıklar üzerinde veya farklı ortamlarda zıt etkilere sahip olabileceği de göz önünde bulundurulmalıdır. Nitekim aynı besin maddesi bir hastalığın görülme sıklığını artırırken bir başkasının görülme sıklığını azaltabilir (Agrios, 2005; Gupta ve ark., 2008).

2.1. Bitki Besin Elementlerinin Fungal Etmenlere Olan Etkileri

Fitopatojen funguslar bitkilerde yüksek ürün kalitesi ve verime etkileri açısından en büyük biyotik etkenlerden olup bunların bitkisel üretimde yıllık yaklaşık %15-20 oranında verim kayıplarına neden oldukları tahmin edilmektedir (Figuroa ve ark., 2018; Rózewicz ve ark., 2021). Fungal patojenlerin gelişimini güçlü bir şekilde etkileyen faktörlerden biri mevsimsel iklim koşulları ve hava olaylarıdır. Genel olarak fungal patojenin enfeksiyon oluşturabilmesi için uygun koşullarda yüksek nem ve ortam sıcaklıklarının bulunması gerekmektedir. Bununla birlikte kuraklık ve sel gibi aşırı iklim olaylarının da fungal enfeksiyonların oluşumunu arttırdığı rapor edilmiştir (Francioli ve ark., 2020; Gao ve ark., 2020). Ayrıca tarımsal uygulamalar, bitkinin beslenme durumu ve gübreleme uygulamalarının da fungal hastalıkların gelişimi üzerine etkililerinin olduğu bildirilmiştir (Datnoff ve ark., 2007 ; Walters ve Bingham,2007).

Bitkilerin uygun şekilde beslenmesi bitki dokusunda mekanik bariyerlerin oluşumunu etkilemekte ve bitkinin yaprakları yaşlandıkça hücre duvarlarında biriken silisyum fungusun penetrasyonuna karşı bitkide koruyucu bir bariyer oluşumuna yardımcı olmaktadır. Yüksek oranda bulunan azot, silisyumun içeriğini düşürür ve fungal hastalık etmenlerine karşı

duyarlılığı artırır. Diğer mikro besin elementleri de hastalık direncinde önemli rol oynar. Bu elementler içerisinde yer alan bakırın eksikliğinde bitkinin savunma mekanizmasının bozulduğu, çözünür karbonhidratların biriktiği ve lignifikasyonda (odun gelişimi) azalma meydana geldiği, sonuç olarak bitkinin fungal hastalık etmenlerine karşı direncinin azaldığı bildirilmiştir (Spann ve Schumann, 2010).

Azot elementinin fungal etmenlere etkisi literatürde oldukça değişkenlik göstermektedir. Bunun nedeni patojen türüne bağlı olarak azota farklı tepkilerin gösterilmesidir. Örneğin, bitkideki azot miktarı yüksek olduğunda *Puccinia graminis* ve *Erysiphe graminis* gibi obligat parazit fungusların enfeksiyon şiddetinde bir artış görülürken *Alternaria* ve *Fusarium* türlerinin neden oldukları enfeksiyonların şiddetinde azalmalar meydana geldiği saptanmıştır (Huber 1980).

Gaeumannomyces graminis'in (take-all) neden olduğu buğday ve arpada siyah kök çürüklüğü hastalığı (take-all), dünyanın birçok bölgesinde tahıl üretimini ciddi şekilde sınırlandırabilen bir hastalıktır. Bu hastalığın şiddetinin konukçu bitkinin uygun elementlerce beslenmesiyle ciddi şekilde azaldığı bildirilmiştir (Graham ve Webb 1991; Thompson ve Huber 2007). Fungusun pH 7'de optimum gelişme gösterdiği ve düşük pH'a karşı oldukça hassas olduğu (Römheld, 1990), bu nedenle asidik topraklara uygulanan kirecin kök enfeksiyonu riskini ve Take-all'den kaynaklanan verim kayıplarını artırdığı bildirilmiştir. Ayrıca kök bölgesindeki mangan varlığı ve kök dokularının mangan konsantrasyonunun diğer toprak kökenli fungus hastalıklarının ve Take-all'in şiddetinde önemli bir rolünün olduğu da saptanmıştır (Graham ve Webb 1991; Thompson ve Huber 2007). Nitekim Mangan, N, P, Cu eksikliğinde buğdayda Take-all şiddetinin arttığı, yeteri kadar N (özellikle NH₄⁺) ve P gübrelemesiyle ise hastalık şiddetinin azaldığı saptanmıştır (Brennan 1995; Huber ve ark. 2012).

Botrytis cinerea'nın çilekte neden olduğu meyve çürüklüğü (kurşuni küf) büyük kayıplara neden olan ve artan çevre sıcaklığı ile ciddi endişe yaratan bir hastalıktır (Singh ve ark., 2007; Fernandez-Ortuno ve ark., 2014). Meyve dokusunun hücre duvarındaki kalsiyum ve bor içeriğinin artırılması doku yumuşaması (fenolikleri ve lignin sentezini etkileyerek) ve küf gelişiminin (fungal hiflerinin penetrasyonunu baskılayarak) gecikmesine yardımcı olarak gri küf hastalık etmeninin şiddeti ve çilekteki bazı diğer fizyolojik bozuklukların azalmasına katkılarının olduğu belirtilmiştir (Hare ve ark., 2013).

Verticillium albo-atrum ve *V. dahliae*'nin neden olduğu *Verticillium* solgunluğu, sebze, süs bitkileri, bahçe, tarla ve yem bitkilerinin en önemli fungal hastalıklarından birisidir. *Verticillium* solgunluğunun, dayanıklı çeşitler, ürün rotasyonu, sanitasyon, toprak fümigasyonu ve hastalığı azaltma potansiyeline sahip N, P ve K gibi yeterli besin maddelerinin kullanımı ile kontrol edilebildiği bildirilmiştir (Huber ve Graham, 1999). Ayrıca toprak fümigasyonu ve nitrifikasyon inhibitörleri gibi yöntemlerle topraktaki NH_4 'ün koruduğu, bunun Mn, Cu ve Zn'nin alımını arttığı, sonuç olarak ise domateste *Verticillium* solgunluğunun şiddetinin azaldığı saptanmıştır.

Fusarium solgunluğu (*Fusarium oxysporum*), sıcak iklim ve asidik karakterdeki topraklarda iyi gelişen, birçok sebze ve meyve türünde görülen önemli bir fungal hastalıktır. Mn ve Fe kullanımını azaltarak toprak pH'sını artıran NO_3 (nitrat) gübresi ve kireç uygulamalarının hastalığın etkinliğini azalttığı belirtilmiştir (Dordas, 2008). *Fusarium oxysporum* gibi toprak kökenli bir başka patojen olan *Rhizoctonia solani* de birçok bitki türünde kök ve kök boğazı çürümelerine neden olan önemli bir patojendir. Bu etmenin gelişimi bitki elementlerince engellenmesi üzerine yapılan bir bazı çalışmalarda, düşük miktarda kalsiyum ve magnezyum ile yetiştirilen soya fasulyelerinin etmene daha duyarlı hale geldiği bildirilmiştir (Bateman, 1964; Wood, 1967).

Magnezyum elementinin yaprağa uygulanmasıyla patateslerde erken yaprak yanıklığına neden olan *Alternaria solani*'nin hastalık şiddetinde önemli ölçüde azalma sağladığı, magnezyum eksikliğinin ise erken olgunlaşmaya ve etmene karşı duyarlılığın artmasına sebep olduğu belirtilmiştir (Elfrich, 2010). Magnezyumun bitki hastalıklarına olan etkisinin araştırıldığı bir başka çalışmada ise yer fıstığında magnezyum eksikliğinin *Mycosphaerella arachidicola*'nın neden olduğu yaprak lekesi enfeksiyonunu ve şiddetini büyük ölçüde artırdığı ve hastalığın öncelikle Mg eksikliği gösteren yapraklarda ortaya çıktığı bildirilmiştir (Bledsoe ve ark., 1945).

2.2. Bitki Besin Elementlerinin Bakteriyel Etmenlere Olan Etkileri

Bitki besleme uygulamaları fungal hastalıklarda olduğu gibi bitkilerin fitopatojen bakterilere olan duyarlılığını da etkileyebilmektedir.. Besin elementleri içerisinde potasyum ve kalsiyum bakteriyel enfeksiyonlara karşı etkili bir bariyer oluşturmada anahtar rol oynamaktadır. Bitkilerde K, Ca ve çoğunlukla N seviyeleri eksik olduğunda bitkiler bakteriyel etmenlerin saldırılarına daha duyarlı hale gelmektedirler. Uygun miktarda azot seviyeleri çoğu bakteriyel hastalığa karşı bitkinin direncini artırır; ancak aşırı azot ters etki de yaratabilir. Bunlarla birlikte

bitkilerin yaşlanan (ölmekte olan) dokuları üzerinde yaşayan, konukçu bitkilere zarar vermek veya onları öldürmek için toksin salgılayan bazı bakteriler düşük azot koşullarında daha iyi gelişebilmektedir. Buna karşın yüksek azot koşullarına ihtiyaç duyarak çoğalan bazı bakteri türleri de mevcuttur.

Besin elementleri içerisinde kalsiyum bakteriyel hastalıkların görülme sıklığını çeşitli şekillerde etkilemektedir. Kalsiyum bileşikleri bitkide sağlıklı ve stabil hücre duvarlarının oluşumunda önemli bir rol oynamaktadır. Yeterli miktarda bulunan kalsiyum aynı zamanda funguslar ve bakteriler tarafından üretilen, orta lamelleri çözen, penetrasyon ve enfeksiyon oluşumuna izin veren enzimlerin oluşumunu da engeller. Ca eksikliklerinde ise apoplastta şeker ve amino asit birikimi tetiklenerek konukçu bitkilerin hastalık etmenlerine olan direnci azalır. Ca oranı düşük meyve dokusu bakteriyel hastalıklara karşı olduğu kadar aynı zamanda depolama sırasında fizyolojik bozukluklara karşı da daha az dirençli bir hal alır (Spann ve Schumann, 2010).

Yüksek magnezyum seviyeleri biber ve domateste *Xanthomonas campestris* pv. *vesicatoria*'nın neden olduğu bakteriyel leke hastalığının gelişimini önemli derecede artırmaktadır. Potasyum ve azot gübrelemesi magnezyum alımını engelleyerek yaprak dokusundaki magnezyum konsantrasyonlarının azalmasına bunun da domates ve biberde *X. campestris* pv. *vesicatoria*'nın neden olduğu bakteriyel leke hastalığının gelişimini azalttığı bildirilmiştir. Başka bir ifadeyle magnezyumun bitkideki konsantrasyonu ile hastalığın şiddeti arasında ters bir ilişki mevcut olup bu gerçeklikten yola çıkarak yapılacak azot ve potasyum uygulamalarının hastalık şiddetinde azalmalara olanak sağladığı saptanmıştır (Woltz ve Jones 1979; Jones ve ark., 1988; Vallad ve ark., 2003).

Patateste *Erwinia* (*Pectobacterium*) türlerinin neden olduğu bakteriyel yumuşak çürüklük etmenlerine karşı dayanıklı çeşit veya kimyasal mücadelenin bulunmaması nedeniyle hastalık hem hasat öncesi hem de hasat sonrası dönemde ciddi patates kayıplarına neden olmaktadır (Kelman ve ark., 1989). Besin elementlerinin bu hastalığa olan etkilerinin araştırıldığı bir çalışmada, Mg ve Ca infiltrasyonu genel olarak patates yumrularında *Erwinia*'nın neden olduğu bakteriyel çürüklüklerin önemli ölçüde azaldığı bildirilmiştir (Kelman ve ark., 1989).

Önemli hastalık etmenlerinden bir diğeri olan *Pectobacterium carotovorum* subsp. *carotovorum*'un domateste meydana getirdiği gövde çürüklüğü hastalığının ortaya çıkmasında da bitki besleme elementlerinin işlevinin önemli bir faktör olduğubelirtilmiştir. Nitekim yüksek

oranlarda azot uygulamasının bitkide hızlı vejetatif gelişmeye neden olduğu (Jacob ve Martins 1990) ve bu durumda bitkinin aşırı yumuşak bir yapı kazanarak (Carrol ve ark., 1992) hastalığın şiddetinin arttığı bildirilmiştir (Üstün ve Saygılı 2000). Azotun bakteri hastalıklarına etkisinin araştırıldığı başka bir çalışmada ise tersi bir durum olarak yüksek azot konsantrasyonlarında *Xanthomonas* türlerinin neden olduğu enfeksiyonların şiddetinde azalma meydana geldiği belirtilmiştir (Huber, 1980).

2.3. Bitki Besin Elementlerinin Viral Etmenlere Olan Etkileri

Yapılan literatür taramalarına göre bitki gelişimine olanak sağlayan besin elementlerinin aynı zamanda bitki virüs hastalıkların gelişimi üzerine de etkilerinin olduğu kısıtlı da olsa bazı çalışmalarda rapor edilmiştir. Tek başına besin elementlerinin varlığıyla ilişkili olmamakla birlikte özellikle bitkilerdeki azot ve fosfor oranlarının, bitki virüs hastalıkların gelişimi üzerinde önemli etkilerinin olduğu belirlenmiştir. Nitekim viral etmen tarafından görünür belirtilerin ortaya çıkması özellikle virüs ve konukçu hücreler arasındaki azot için olan rekabete bağlı olduğu, bu rekabetin ise patojen türüne ve çevresel faktörlere göre değişkenlik gösterebildiği bildirilmiştir (Spann ve Schumann, 2010). Bu alanda yapılmış bir çalışmada, bitkide düşük azot yoğunluğunda Tobacco Mosaic Virus (TMV) enfeksiyonlarının azaldığı yüksek azot oranında tersi bir durum olarak enfeksiyon şiddetinin arttığı bildirilmiştir (Singh, 1970). Fosforun virüsler üzerine olan etkilerinin araştırıldığı çalışmalarda ise bu besin elementi uygulamalarının Tobacco Leaf Curl Virus (TbLCV) ve Barley Yellow Dwarf Virus (BYDV) enfeksiyonlarını azaltabildiği bildirilmiştir (Huber ve Graham, 1999).

Sonuç ve Öneriler

Sonuç olarak, beslemenin bitkiler üzerine olan etkileri uzun yıllardan beridir bilinen bir konu olup sağlıklı bir bitki besleme yönetiminin bitkisel üretimde uzun süreli ve sürdürülebilir bir başarı elde etmenin en önemli yollarından birisi olduğu söylenebilir. Bunun yanı sıra bitki beslemenin hastalıkların da gelişimi üzerine olan etkileri zaman içerisinde üzerinde durulan bir konu haline gelmiş, bu bağlamda bitkilere uygulanan farklı besin elementlerinin patojenlerde oluşturacakları etkiler çeşitli çalışmalarla araştırılmıştır. Besin elementleri genel olarak doğrudan pestisitlerin yerine geçememekle birlikte uygun dozlarda uygulandıklarında dolaylı yoldan bitkileri patojen saldırılarına karşı güçlü hale getirebilirler. Bu yönüyle pestisit dozlarının azaltılmasına ve gıda ürünlerindeki tehlikeli kalıntıların azaltılmasına da olanak tanır. Bu bağlamda bitki besleme programlarının, özellikle zarar potansiyeli yüksek veya

mücadelesinde yoğun kimyasal kullanılan patojenlerin gelişimlerini kısıtlamaya yönelik olarak da planlanması, sürdürülebilir bir tarım için önem arz edecektir.

KAYNAKÇA

- Agrios, G.N. (2005). Plant pathology, 5th edition. Burlington, MA: Elsevier Academic Press.
- Bateman, D.F. (1964). An induced mechanism of tissue resistance to polygalacturonase in *Rhizoctonia*-infected hypocotyls of bean. *Phytopathology* 54:438–445.
- Bhaduri, D., Rakshit, R., Chakraborty, K. (2014). Primary and secondary nutrients-a boon to defense system against plant diseases. *International Journal of Bio-resource and Stress Management*, 5(Sep, 3), 461-466.
- Bledsoe, R.W., Harris, H.C., Tisdale, W.B. (1945). Leafspot of peanut associated with magnesium deficiency. *Plant Physiol* 21:237–240.
- Bolat, İ., Kara, Ö., Tunay, M. (2020). Göknar-Kayın Karışık Meşçeresi Altındaki Ölü Örtü Örneklerinde Mikrobiyal Biyokütle C (Cmic), N (Nmic) ve P (Pmic)'un Mevsimsel Değişimi. *Bartın Orman Fakültesi Dergisi*. 22 (3): 1-1.
- Brennan, R. F. (1995). Effect of levels of take-all and phosphorus fertiliser on the dry matter and grain yield of wheat. *Journal of plant nutrition*, 18(6), 1159-1176.
- Calzarano, F., Osti, F., D'agostino, V., Pepe, A., Di Marco, S. (2017). Mixture of calcium, magnesium and seaweed affects leaf phytoalexin contents and grape ripening on vines with grapevine leaf stripe disease. *Phytopathologia Mediterranea*, 445-457.
- Carrol, N.B., Echandi, E., Shomaker, P.B. 1992. Pith necrosis of tomato in Western North Carolina. *North Carolina Agricultural Research Services Technical Bulletin*, 300: 1- 24.
- Datnoff, L. E., Elmer, W. H. and Huber, D. M., Eds. 2007. **Mineral Nutrition and Plant Disease**. APS Press American Phytopathological Soc, St. Paul, MN.
- Dordas, C. 2008. Role of nutrients in controlling plant diseases in sustainable agriculture: A review. *Agron. Sustain. Dev.* 28:33–46.
- Elfrich, R. (2010). *Alternaria* in potatoes—magnesium helps prevent the disease. *Kali News The World of Potato at Potato Europe*, August 25, 2010.
- Engels, C., Marschner, H. (1995). Plant uptake and utilization of nitrogen. *Nitrogen fertilization in the environment*, 41-81.
- Fageria, N.K. (2005). Soil fertility and plant nutrition research under controlled conditions: Basic principles and methodology. *Journal of Plant Nutrition* 28: 1–25.
- Fageria, N.K. (2007). Soil fertility and plant nutrition research under field conditions: Basic principles and methodology. *Journal of Plant Nutrition* 30: 203–223.
- Fageria, N.K., Baligar, V.C., Jones, C.A. (2011). *Growth and Mineral Nutrition of Field Crops*. 3rd Edition, CRC Pres, Boca Raton, FL, USA.
- Fernandez-Ortuno, D., Grabke, A., Bryson, P.K., Amiri, A., Peres, N.A., Schnabel, G. (2014). Fungicide resistance profiles in *Botrytis cinerea* from strawberry fields of seven southern U.S. states. *Plant Dis* 98:825–833.
- Figuroa, M., Hammond-Kosack, K.E., Solomon, P.S. (2018). A review of wheat diseases-a field perspective. *Mol. Plant Pathol.* 19: 1523–1536.
- Francioli, D., van Ruijven, J., Bakker, L., Mommer, L. (2020). Drivers of total and pathogenic soil-borne fungal communities in grassland plant species. *Fungal Ecol.* 48: 100987.
- Gao, C., Montoya, L., Xu, L., Madera, M., Hollingsworth, J., Purdom, E., Singan, V., Vogel, J., Hutmacher, R.B., Dahlberg, J. A., Coleman-Derr, D., Lemaux, P. G., Taylor, J.W. (2020). Fungal community assembly in drought-stressed sorghum shows stochasticity, selection, and universal ecological dynamics. *Nat. Commun.* 11: 34.
- Gardiner D.T. and Miller, R.W. (2008). *Soils in Our Environment*. 11th Edition, Pearson/Prentice Hall, Upper Saddle Hill, Ne Jersey, USA.

- Graham, D.R. and Webb, M.J. (1991). Micronutrients and disease resistance and tolerance in plants. In: Mortvedt JJ, Cox FR, Shuman LM, Welch RM (eds) Micronutrients in agriculture, 2nd edn, Soil Science Society of America, Madison, Wisconsin, pp 329–370.
- Gupta, U.C., Kening, W.U., Liang, S. (2008). Micronutrients in soils, crops, and livestock. *Earth Science Frontiers*, 15(5), 110-125.
- Hare, K., Attri, B. L., Akhilesh, K., Maheshwari, S.K. (2013). Effect of salicylic acid, calcium and boron on gray mould rot (*Botrytis cinerea* Pers.: Fr.) of Strawberry.
- Huber, D.M. (1980). The role of mineral nutrition in defense. In: Horsfall J.G., Cowling E.B. (Eds.), *Plant Disease, An Advanced Treatise, Volume 5, How Plants Defend Themselves*. Academic, New York, pp. 381–406.
- Huber DM, Graham RD (1999) The role of nutrition in crop resistance and tolerance to disease, In: Rengel Z (ed) *Mineral nutrition of crops fundamental mechanisms and implications*. Food Product Press, New York, pp 205–226
- Huber, D.M, Römheld, V., Weinmann, M. (2012). Relationship between nutrition, plant, diseases and pests. In: Marschner P (ed) *Marschner’s mineral nutrition of higher plants*. Academic Press, Sydney, pp 2836–299.
- Jacob, C., Martins, J.M.S. (1990). Species diversity and pathological specialization of tomato pith necrosis bacteria. *Proceedings of the 7th International Conference on Plant Pathogenic Bacteria*, 11-16 June 1989, Budapest, Hungary, pp. 995-1000.
- Jones, J.B, Stanley, C.D, Csizinszky, A.A., Kovach, S.P., McGuire, R.G. (1988) .K and N fertilization rates influence susceptibility of trickle-irrigated tomato plants to bacterial spot. *HortSci* 23:1013–1015.
- Katan, J. (2009). Mineral nutrient management and plant disease. In: research findings: e-ifc No. 21. International Potash Institute.
- Kelman, A, McGuire, R.G., Tzeng, K.C. (1989) Reducing the severity of bacterial soft rot by increasing the concentration of calcium in potato tubers. In: Engelhard AW (ed) *Soilborne plant pathogens: management of diseases with macro- and microelements*. APS Press, St. Paul, pp 102–123.
- Kirkby, E.A. (2012). Chapter 1: Introduction, definition and classification of nutrients. In: Marschner P (ed) *Marschner’s mineral nutrition of higher plants*, 3rd edn. Academic, Amsterdam, pp 3–5.
- Prakash, S., Verma, J.P. (2016). Global perspective of potash for fertilizer production. *Potassium solubilizing microorganisms for sustainable agriculture*, 327-331.
- Priyadharsini, P., Muthukumar, T. (2016). Interactions between arbuscular mycorrhizal fungi and potassium-solubilizing microorganisms on agricultural productivity. *Potassium solubilizing microorganisms for sustainable agriculture*, 111-125.
- Rice, R.W. (2007). The physiological role of minerals in the plant. In: Datnoff LE, Elmer WH, Huber DM (eds.) *Mineral nutrition and plant disease*, St. Paul, Minnesota: The American Phytopathological Society, pp 9–29.
- Rózewicz, M., Wyzińska, M., Grabiński, J. (2021). The most important fungal diseases of cereals—problems and possible solutions. *Agronomy* 11:714.
- Römheld, V. (1990). The soil–root interface in relation to mineral nutrition. *Symbiosis* 9:19–27.
- Singh, R, Sharma, R.R., Tyagi, S.K. (2007). Pre-harvest foliar application of calcium and boron influences physiological disorders, fruit yield and quality of strawberry (*Fragaria × ananassa* Duch.) *Scientia Hort* 112:215–220.
- Singh R. (1970) Influence of nitrogen supply on host susceptibility to tobacco mosaic virus infection, *Phyton-Annales Rei Botanicae* 14, 37–42.
- Spann, T. M. and Schumann, A. W. (2010). Mineral Nutrition Contributes to Plant Disease and Pest Resistance: HS1181/HS1181, 7/2010. EDIS, 2010(4).
- Thompson, I.A., Huber, D.M. (2007). Manganese and plant disease. In: Datnoff LE, Elmer WH, Huber DM (eds) *Mineral nutrition and plant disease*. APS Press, St Paul, pp 139–154.
- Timonin, M.E. (1965). Interaction of higher plants and soil microorganisms, p. 135–138. In: C.M. Gilmore and O.N. Allen (eds.). *Microbiology and soil fertility*. Oregon State University Press, Corvallis.
- Üstün, N. and Saygılı, H. (2000). The effect of N, K, high relative humidity and low night temperature on tomato pith necrosis incited by *Pseudomonas cichorii*, *Pseudomonas viridiflava* and *Erwinia carotovora* subsp. *carotovora*. *Phytopathology*, 90(6): 79.

- Vallad, G.E., Cooperband, L., Goodman, R.M. (2003). Plant foliar disease suppression mediated by composted forms of paper mill residuals exhibits molecular features of induced resistance. *Physiol Mol Plant Pathol* 63:65–67.
- Walters, D. R. and Bingham, I. J. (2007). Influence of nutrition on disease development caused by fungal pathogens: implications for plant disease control. *Ann Applied Biology* 151: 307–324.
- White, R .E. (2006). Principles and Practice of Soil Science: The Soil as a Natural Resource. 4th Edition, Wiley-Blackwell Scientific Publication, London, United Kingdom.
- Woltz, S.S. and Jones, J.P. (1979). Effects of magnesium on bacterial spot of pepper and tomato and on the in vitro inhibition of *Xanthomonas vesicatoria* by streptomycin. *Plant Dis Rep* 63:182–184.
- Wood, R.K.S. (1967). Wood, R.K. (1967). Physiological plant pathology. Blackwell Scientific Publication Ltd. Oxford and Edinburgh.

TURUNÇGİL MEYVELERİNDE HASAT SONRASI DÖNEMDE GÖRÜLEN FUNGAL HASTALIK ETMENLERİ

Doktorant Murat KARACA

Hatay Mustafa Kemal Üniversitesi, Ziraat Fakültesi, Bitki Koruma Bölümü, Hatay

ORCID ID: 0000-0002-3752-7581

Arş. Gör. Mehmet ATAY

Adıyaman Üniversitesi, Ziraat Fakültesi, Bitki Koruma Bölümü, Adıyaman

ORCID ID: 0000-0001-5751-4764

ÖZET

Anavatanı Çin, Hindistan ve Güneydoğu Asya olan Citrus cinsi içerisinde yer alan turunçgiller, günümüzde subtropik iklim koşullarına sahip birçok ülkede yetiştirilen önemli bir bitki grubudur. Portakal, mandarin, limon ve greylift dünyada yaygın şekilde yetiştirilen turunçgil türleri olup ağaç kavunu ve bergamot ekonomik öneme sahip diğer bazı önemli turunçgillerdir. Bol miktarda C vitamini içermesi nedeniyle insan sağlığına önemli yararları olan turunçgil meyveleri çoğunlukla taze olarak tüketilmekle birlikte çeşitli işlemler sonrası reçel, marmelat ve meyve suları yapılarak da kullanılmaktadırlar. Meyvelerde hasat sonrası ürün kayıpları fizyolojik, fiziksel ve fitopatolojik nedenlere bağlı olup en önemli olanı fitopatojen türlerin neden oldukları kayıplardır. Turunçgil bitkileri gerek hasat öncesi gerekse hasat sonrası dönemlerde çeşitli patojenlerin saldırılarına maruz kalmaktadır. Ekonomik olarak kullanılan bitki kısımları olan meyveler su ve şeker içeriği yüksek olması bakımından özellikle hasat ve depolama aşamalarında çeşitli fitopatojen türlerin ciddi tehdidi altındadır. Hasat sırasında meyvelerde meydana gelen yaralanmalar ve hasat sonrasında ürünlerin direncinde meydana gelen azamalar patojenlerin gelişimine olanak sağlayan önemli unsurlardır. Konukçularında hızlıca gelişebilmeleri ve oluşturdukları sporların çok hızlı şekilde etraftaki sağlıklı meyvelere yayılabilmesi dolayısıyla özellikle fungal etmenler turunçgillerde hasat sonrası en önemli patojenlerdir. Mavi küf (*Penicillium italicum*), yeşil küf (*P. digitatum*) ve ekşi çürüklük (*Geotrichum citri-aurantii*) ekonomik olarak turunçgillerde hasat sonrası görülen en önemli fungal hastalıklardan olup gerekli mücadeleler yapılmadığı zaman bunlardan kaynaklı ürün kaybı ciddi boyutlara ulaşabilmektedir. Bu çalışmada, turunçgillerde hasat sonrası ürün kayıplarına neden olan önemli fungal hastalık etmenleri hakkındaki genel bilgiler ele alınmıştır.

Anahtar Kelimeler: Turunçgiller, Depo Hastalıkları, *Penicillium italicum*, *Penicillium digitatum*

FUNGAL DISEASE AGENTS ON CITRUS FRUITS IN THE POSTHARVEST

ABSTRACT

Citrus fruits, which belong to the Citrus genus whose origin is China, India and Southeast Asia, are an important plant group grown today in many countries with subtropical climate conditions. Orange, mandarin, lemon and grapefruit are the citrus species that are widely grown in the world, while citron and bergamot are other important citrus fruits with economic importance. Citrus fruits, which have significant benefits for human health due to their abundance of vitamin C, are mostly consumed fresh, but they are also used to make jam, marmalade and fruit juice after various processes. Post-harvest product losses in fruits depend on physiological, physical and pathological reasons, and the most important one is the losses caused by phytopathogenic species. Citrus plants are exposed to attacks of various pathogens both in pre-harvest and post-harvest periods, and fruits, which are economically used plant parts, are under serious threat from various phytopathogenic species, especially during the harvest and storage stages, due to their high water and sugar content. Injuries occurring in fruits during harvest and decreases in the resistance of the products after harvest are other important factors that allow the development of pathogens. Fungal agents, in particular, are the most important post-harvest pathogens in citrus fruits because they can develop rapidly in their hosts and the spores they create can spread very quickly to healthy fruits around them. Blue mold (*Penicillium italicum*), Green mold (*P. digitatum*) and Sour rot (*Geotrichum citri-aurantii*) are among the most economically important fungal diseases observed in citrus fruits, and if necessary control is not made, product losses due to them can reach serious levels. In this study, general information about important fungal disease agents that cause post-harvest yield losses in citrus fruits was discussed.

Keywords: Citrus, Postharvest Diseases, *Penicillium italicum*, *Penicillium digitatum*

1. GİRİŞ

Turunçgiller, dünya genelinde yetiştiriciliği yapılan ve pazarlanan, ekonomik olarak önemli bitkiler arasında yer almaktadır (Giassi ve ark., 2015). Anavatanı Çin, Güneydoğu Asya ve Hindistan olan turunçgillerin ekonomik olarak en yaygın yetiştirilen türleri arasında limon, mandarin, portakal ve greyfurt yer alırken ağaç kavunu, kamkat ve bergamot diğer önemli turunçgil türlerindedir. Turunçgiller meyveleri, C vitamini bakımından zengin ve insan sağlığına yararları olan, aynı zamanda içeriğinde yüksek miktarda su barındıran asidik, egzotik

meyvelerdendir. Meyvelerin içeriğinde yer alan fitovitaminler ve besinler insan sağlığı açısından önemli olup anti tümör, anti inflamatuvar ve antikanser gibi bazı tedavi edici özelliklere sahiptir (Sanofe, 2014). Meyveler çoğunlukla taze olarak, bunun yanısıra işlenmiş halde marmelat, reçel ve meyve suyu olarak tüketilmektedir. İnsan beslenmesi dışında turunçgiller ilaç, kozmetik ve hayvan yemi endüstrileri alanında da kullanılabilir (Yeşiloğlu, 2011; Uysal ve Polatöz, 2017; Satari ve Karimi, 2018).

2022 yılı üretim verilerine göre dünya yaş meyve üretimi yaklaşık 66 milyon hektar alanda gerçekleşirken üretimin %15,38'ini turunçgiller oluşturmuştur. 138 ülkede ekonomik olarak yetiştiriciliği yapılan turunçgiller yaklaşık 10 milyon hektar alanda üretilmiştir. Çin %28,56 üretim oranı ile birinci sırada yer alırken bunu sırasıyla Brezilya (%11,67) ve Hindistan (%8,84) izlemiştir. Türkiye ise %3,31'lik oranla bu sıralamada 7. sırada yer almıştır (FAO, 2022). Turunçgiller ülkemizde en fazla Akdeniz (%88,32), Ege (%11,13), kısmen de Marmara ve Doğu Karadeniz bölgelerinde, iklim koşullarının uygun olduğu yörelerde yetiştirilmektedir. En fazla yetiştiriciliği yapılan tür portakal olup mandarin ve limon birbirlerine yakın değerlerde üretimleri yapılan diğer önemli türlerdir (Cemeroğlu, 2004; TÜİK, 2024)

Hasat sonrası taze sebze ve meyvelerde meydana gelen ürün kayıpları fizyolojik, biyotik ve abiyotik birçok aksaklıktan kaynaklanabilmektedir. Yüksek oranda su ve besin maddesi içeren yaş meyve ve sebzeler fungal ve bakteriyel hastalık etmenlerinin saldırılarına karşı hassastır. Bu ürünlerde hasat sonrası hastalık etmenleri tarafından meydana gelen kayıplar hakkında çalışmalar kısıtlı olmakla birlikte ürünler hasat edildikten sonra dirençlerinde azalma meydana gelmektedir. Böylece hastalık etmenlerinin neden oldukları kayıplar artmakta, enfekteli ürünlerin yanı sıra sağlıklı olanlar da etkilenmektedir. Yine hastalık etmenleriyle enfektelenmiş ürünlerde etilen sentezi, solunum ve ısı üretiminde meydana gelen artış ürünlerin daha erken olgunlaşmasını hızlandırarak hastalık oluşumu kolaylaşmaktadır (Benli, 2003).

Farklı mikroorganizma türlerinin neden oldukları biyotik hastalık etmenleri birçok bitkide hasat sonrası meyve kalitesini ve pazar değerini olumsuz yönde etkileyen en önemli etkenlerdir. Turunçgil meyveleri hasat edilmeden önce, hasat sırasında veya hasattan hemen sonra pek çok fungal hastalık etmenine maruz kalmaktadır. Nitekim turunçgillerin de dahil olduğu taze tüketimi yapılan meyve ve sebze ürünleri hasat edilip tüketimine kadar geçen sürede, ürünlerde oluşan kayıpların %50 seviyelerine kadar ulaştığı bildirilmiştir (Eckert, 1977; Eckert ve Ogawa, 1985; Kader, 1992; Waller ve ark., 2001). Yapılan literatür taramasına göre turunçgillerde çok

sayıda mikroorganizma türünün konukçu bitkilerin çeşitli kısımlarında patojen oldukları rapor edilmiş olmakla birlikte mavi küf (*Penicillium italicum*), yeşil küf (*Penicillium digitatum*) ve ekşi çürüklük (*Geotrichum citri-aurantii*) etmenlerinin, hasat sonrası görülen hastalık etmenleri içerisinde en önemli ve sık rastlanılan fungal hastalıklar oldukları çeşitli çalışmalarla bildirilmiştir (Snowdon, 1990; Smilanick ve Mansour, 2007; Palou, 2014). Bu çalışmada, turunçgillerde hasat sonrası verim kayıplarına neden olan önemli hastalık etmenleri hakkındaki genel bilgiler ele alınmıştır.

2. *Penicillium digitatum*

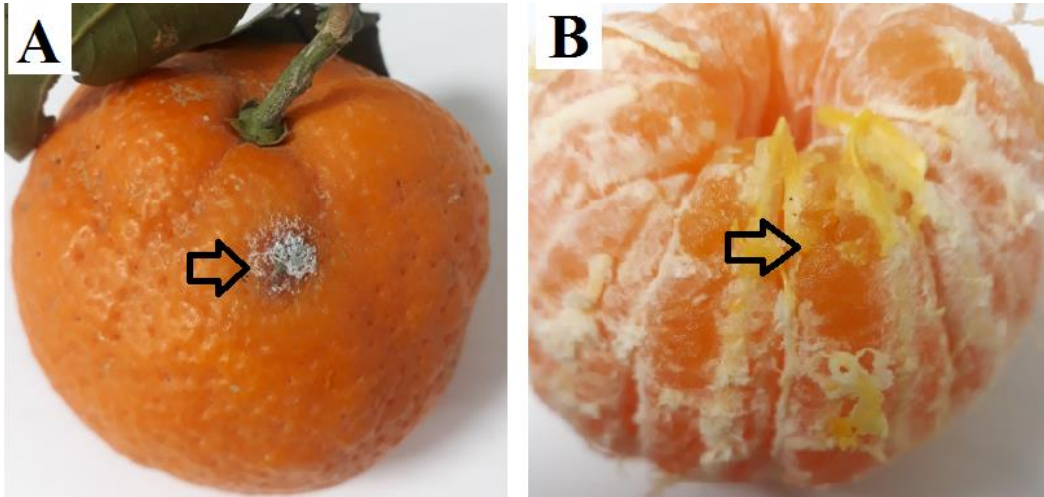
Turunçgillerde yeşil küf olarak bilinen hastalığa neden olan *Penicillium digitatum* (Persoon) Saccardo'nun turunçgil meyvelerinde kalite ve depo ömründe sınırlayıcı bir faktör olarak hasat sonrası hastalık etmenleri arasında en önemli etmen olduğu bildirilmiştir (Knor, 1973; Whiteside ve ark., 1989; Özbek ve Delen, 1995). İngilizce "Green mold of citrus fruits" olarak adlandırılan hastalığa neden olan bu etmenin taksonomik açıdan sınıflandırılması Çizelge 1'de verilmiştir (Anonim, 2024a; Anonim, 2024b).

Çizelge 1. *Penicillium digitatum* (Pers.)Sacc'ın toksonomik olarak sınıflandırılması.

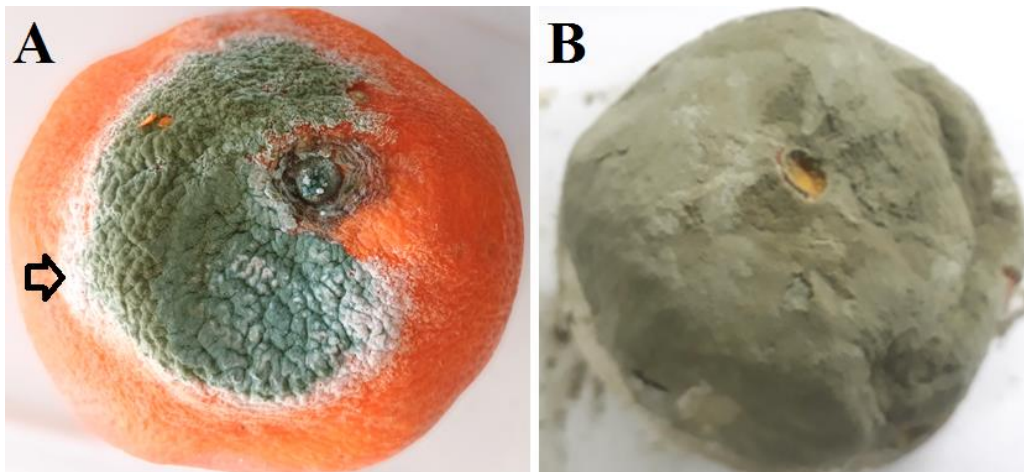
Kategori	Taksonomik sınıf
Alem	Fungi
Şube	Ascomycota
Alt şube	Pezizomycotina
Sınıf	Eurotiomycetes
Alt sınıf	Eurotiomycetidae
Takım	Eurotiales
Aile	Aspergillaceae
Cins	Penicillium
Tür	<i>Penicillium digitatum</i>

Turunçgillerdeki bu hastalık hasat sonrası dönemde oldukça yaygın şekilde görülmekte olup meyveler üzerinde hastalık etmeni tarafından üretilen zeytin yeşili sporlar kütleleri ile kolayca tanımlanmaktadır (Şekil 2). Hastalık etmeni tarafından çok fazla spor üretilmesi sebebiyle tarlada, paketleme evlerinde, alet-ekipman üzerinde, arındırma ve depolama odalarında, transit konteynerler ve pazar yerleri dahil olmak üzere meyvelerin işlendiği hemen hemen tüm yerlerde etmenin sporları mevcuttur. Yaralanmış meyveler etmenin sporlarının çimlenmesi adına

oldukça önemli olup başarılı bir enfeksiyon gerçekleşmesi için meyvelerin yaralanmış olması oldukça önemlidir. Nitekim ilk enfeksiyonlar turuncgil meyvelerindeki yaralanmalardan kaynaklı bölgelerde başlamaktadır. Meyvelerin yaralı dokulardan gelişen enfeksiyon alanı başlangıçta yumuşak sulu bir nokta şeklinde görülmektedir (Şekil 1). Lezyon alanı genişledikçe yeşil küf etmeninin beyaz renkli miselyum yapıları gelişir ve bunlar daha sonra yeşil renkte spor üretirler (Şekil 2). Beyaz renkli miselyumlar enfeksiyon şiddeti arttıkça meyvenin tüm yüzeyini kaplayabilir ve birkaç gün içerisinde meyvenin tamamını kaplayan yeşil sporlar oluşturabilir (Şekil 2). Yeşil küf etmeninin sporları hastalıklı meyvelerin yanındaki sağlam meyvelere de yayılması sonucu aynı alanda yer alan meyvelerin tamamının çürümesine sebep olabilmektedir (Ismail ve Zhang, 2004).



Şekil 1. *Penicillium digitatum*'un mandarin meyvesinin kabuk (A) ve meyve etinde (B) meydana getirdiği ilk belirtiler (orijinal foto)



Şekil 2. *Penicillium digitatum* enfeksiyonu sonrası meyve yüzeyinde oluşan yeşil renkli sporlar ve bu sporları çevreleyen beyaz renkli misel tabakası (ok) (A). Enfeksiyonun ilerlemesiyle tüm meyve yüzeyinin etmenin konidiosporları ile kaplanması (B) (Orijinal foto)

Hastalık etmeninin mücadelesi amacıyla öncelikle kültürel önlemler alınmalıdır. Özellikle meyveleri yaralamadan yapılacak hasat işlemleri hastalığı ciddi oranda engelleyebilir. Hasat sırasında yere düşen meyvelerin alınmaması, yağışlı gün ve erken saatlerde hasat yapılmaması, meyve evlerine getirilen meyvelerin üst üste çok yığın yapılmaması, paketlenme amacıyla gelen meyvelerden hastalıklı olanların ayıklanması ve sarartma odalarının dezenfekte edilmesi gibi yöntemler etmenin mücadelesinde alınabilecek diğer kültürel önlemlerdendir (Anonim, 2008). Kimyasal mücadele amacıyla ise Pyrimethanil, prochloraz, imazalil, thiabendazole ve fludioxonil gibi etken madde içeren fungusitler kullanılarak hastalıktan kaynaklı kayıplar önlenir (Chen ve ark., 2019). Ancak kimyasal mücadelede yaygın kullanılan sentetik fungusitler hastalık etmenlerinin dirençli türlerinin çoğalmasına neden olmakta ve kimyasalların etkinlikleri azalmaktadır (Zhang ve ark., 2018; Chen ve ark., 2020). Son yıllarda yapılan bazı çalışmalarla biyolojik mücadelede kullanılacak antagonistik etkiye sahip bakteri ve funguslar, biyo-fungisitler, bitki ekstraktları ve bazı uçucu yağların, kimyasallara alternatif olarak hastalık etmenini baskılamak için kullanılacakları bildirilmiştir (Palou ve ark., 2016; Liu ve ark., 2017; Palou, 2018; Papoutsis ve ark., 2019).

3. *Penicillium italicum*

Turunçgillerde mavi küf olarak bilinen hastalığa neden olan *Penicillium italicum* Wehmer, meyvelerde hasat sonrası dönemde verim ve kalite kayıplarına neden olan bir diğer fungal hastalık etmenidir. İngilizcesi “Blue mold of citrus fruits” olarak bilinen yeşil küf hastalığına neden olan etmenin taksonomik olarak sınıflandırılması Çizelge 2’deki gibidir (Palou, 2014; Anonim, 2024a; Anonim, (2024b).

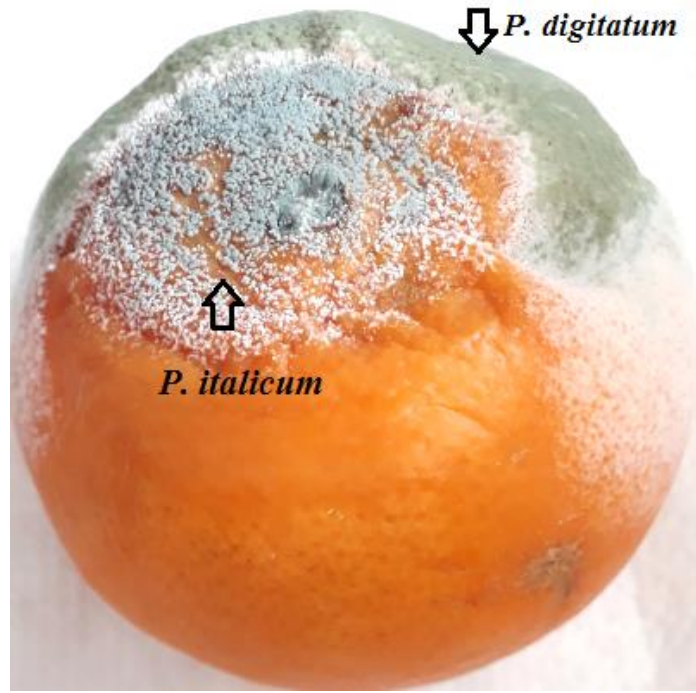
Çizelge 2. *Penicillium italicum* Wehmer’in taksonomik olarak sınıflandırılması.

Kategori	Taksonomik sınıf
Alem	Fungi
Şube	Ascomycota
Alt şube	Pezizomycotina
Sınıf	Eurotiomycetes
Alt sınıf	Eurotiomycetidae
Takım	Eurotiales
Aile	Aspergillaceae
Cins	Penicillium

Tür

Penicillium italicum

Mavi küf etmeni de yeşil küf etmeni gibi meyvelere yara yoluyla giriş yapmaktadır. Yeşil küf etmeni kadar yaygın olarak görülmesi de turuncu üretilen ve depolanan alanlarda mevcuttur. Hastalığın en tipik belirtisi çürümüş meyvelerin yüzeyinde etmen tarafından üretilmiş mavi renkte spor kütesidir. İlk lezyonlar yeşil küf lezyonlarına benzer, ancak sporlar mavi renkte gelişir ve bu yönüyle yeşil küften ayrımı yapılabilir (Şekil 3). Ayrıca mavi küf ortam koşullarına bağlı olacak şekilde yeşil küfe göre daha yavaş gelişmektedir (Ismail ve Zhang 2004).



Şekil 3. Aynı anda yeşil ve mavi küf hastalık etmenleri ile enfekte olmuş bir greyfurt meyvesi (Orijinal foto)

Hastalık etmeninin ürettiği poligalakturonaz ve glukozidaz gibi hidrolitik enzimlerinin nedeniyle enfeksiyon oluşmakta ve hastalık belirtisi görülmektedir (Papoutsis ve ark., 2019). Enfeksiyonlar soğuk depo koşullarında 12-13 gün sonra ilk belirtilerini gösterirken, normal ortam koşullarında ilk belirtiler 2-3 gün sonra gözlenmektedir (Louw ve Korsten, 2015). Enfekte olan alanlarda ilk olarak yumuşak ve renksiz sulu ıslanmış meyve görünümü oluşmakta ve bu alanlarda beyaz renkte miselyum yapıları oluşmaktadır (Şekil 3). Miselyal gelişim alanı büyüdükçe etmen meyvenin tamamını kaplamaya devam etmekte, daha sonra etmenin mavi renkli konid sporları meydana gelmektedir (Şekil 3) (Louw ve Korsten, 2015). Fungus sporları havada yayılarak, yaralanmış veya sağlıklı meyveler üzerine taşınarak doğrudan temas yoluyla meyveye bulaşmaktadır (Kellerman ve ark., 2016; Papoutsis ve ark., 2019). Hastalık şiddeti meyve olgunluğu ile beraber artmakta olup 20-25 °C aralığındaki sıcaklıklarda ve kabuk

dokusundaki yaralarda bulunan bol miktardaki spor konsantrasyonu da hastalık gelişiminin şiddetini artırmaktadır (Papoutsis ve ark., 2019). *Penicilium digitatum* mücadelesinde kullanılan yöntemler, benzer şekilde bu hastalığın mücadelesinde de kullanılabilir.

Geotrichum citri-auranti

Geotrichum citri-auranti turunçgillerde hasat öncesi ve sonrası yaygın görülen ve konukçu turunçgil meyvelerinde “Ekşi çürüklük” olarak isimlendirilen hastalığa neden olan toprak kökenli bir fungal etmendir. Ascomycota şubesinde yer alan bu etmenin taksonomik olarak sınıflandırılması Çizelge 3’de verilmiştir (Anonim, 2024a).

Çizelge 3. *Geotrichum citri-auranti* (Ferraris) Butler’in taksonomik olarak sınıflandırılması.

Kategori	Taksonomik sınıf
Alem	Fungi
Şube	Ascomycota
Sınıf	Saccharomycetes
Takım	Sacchoramycetales
Aile	Dipodascaceae
Cins	<i>Geotrichum</i>
Tür	<i>Geotrichum citri-auranti</i>

Hastalık etmeninin arthrokonidileri, turunçgil meyvelerinin yüzeylelerinde herhangi bir şekilde oluşmuş yaralara rüzgâr, yağmur veya mekanik yolla ulaşarak ilk enfeksiyonları meydana getirebilmektedir. Etmen yere yakın yerdeki yaralı meyvelerde daha fazla enfeksiyon meydana getirmektedir. Yere dökülen turunçgil meyvelerinin toprakla temas etmesi sonucunda ise yüksek düzeyde enfeksiyon oluşabilir (Brown, 2011).

G. citri auranti’nin tipik belirtisi yeşil ve maviküf etmenlerinin oluşturduğu belirtilerle benzer şekilde olup konukçu meyvelerde oluşan lezyonlar sulu, açık veya koyu sarı renkte, hafif kabarık lekeler şeklindedir. *G. citri auranti* tarafından üretilen ekstraselüler enzimler, meyvenin akışkanimsi bir hal almasına sebep olarak meyve kabuğunu parçalar. Enfeksiyon sonrası kutikula, epidermis tabakasından rahatça ayrılabilir. Yüksek nem koşulları meyvenin hastalık etmenine karşı daha duyarlı olmasında etkilidir ve böylesi durumlarda lezyonlar maya benzeri bir gelişim göstererek meyve yüzeyinde beyaz veya krem renkli bir miselyum tabakası oluşur.

Bunlarla birlikte meyveler olgunlaştıkça hastalık etmenine karşı daha duyarlı bir hal alabilmektedir (Eckert ve Brown, 1988; Karaçalı, 1993).

Hastalık etmeni ile mücadele alınacak bazı kültürel önlemler sayesinde etmenin yayılımını sınırlamak mümkündür. Örneğin; hastalık gelişimini ve yayılmasını önlemek için meyvelerin hasadının aşırı olgunlaşmayı beklemeden yapılması önem taşımaktadır. Ayrıca enfekteli meyvelerin sağlıklı meyvelere bulaşmasını engellemek için paketlenme evlerine getirilen meyvelerin bekletilmeden sınıflandırılması gerekmektedir. İnokulum kaynağını ortadan kaldırmak için ise paketlenme evleri ve kullanılan tüm alet ve ekipmanların düzenli olarak dezenfekte edilmesi gerekir. Bir diğer yöntem olarak ise depolama sıcaklıklarının hastalık etmeninin gelişimine olanak sağlamayacak şekilde ayarlanmasıdır. Nitekim depo sıcaklığı 10 °C ve altında tutulduğunda ekşi çürüklük etmeninin gelişmesinin geciktiği bildirilmiştir (Brown, 2011).

SONUÇ VE ÖNERİLER

Sonuç olarak, dünyada ve ülkemizde ekonomik öneme sahip turunçgil türlerinde hasat sonrası dönemde ciddi oranda ürün kayıplarına neden olan birden fazla fungal hastalık etmeni mevcuttur. Bu etmenlerin gelişimine olanak sağlayan çeşitli koşullar olmakla birlikte hasat sırasında veya sonrasında meyvelerde meydana gelen yaralanmalar ve patojen gelişimine olanak sağlayan iklim koşulları, üründe meydana gelecek zarar derecelerini önemli oranda etkilemektedir. Genel olarak depo patojenleri arasında yeşil küf etmeninin diğer etmenlere oranla daha sık görüldüğü söylenebilir. Ekşi çürüklük hastalık etmeni ise her ne kadar yeşil ve maviküf etmenlerine oranla daha az görülse de özellikle yağış ve nemin fazla olduğu mevsimlerde önemli düzeyde ürün kaybına neden olabilir. Gerek hızlı şekilde çoğalıp yayılmaları gerekse de ekonomik öneme sahip birden fazla turunçgil türünde ciddi ürün kayıplarına neden olabilmeleri dolayısıyla söz konusu patojenlerin yayılmasını önleyecek tedbirlerin alınması oldukça önemlidir. Meyveleri yaralamadan yapılacak hasat işlemleri ise patojen enfeksiyonlarını büyük oranda engelleyeceğinden hasadın uygun şekilde ve meyveleri yaralamadan yapılması büyük önem arz etmektedir.

KAYNAKÇA

Anonim, (2008). Zirai Mücadele Teknik Talimatları (Cilt 5). Tarımsal Araştırmalar ve Politikalar Genel Müdürlüğü Yayınları, Ankara.

Anonim, (2024a). European and Mediterranean Plant Protection Organisation (EPPO). <https://gd.eppo.int/> (Erişim tarihi: 28.02.2024).

- Anonim, (2024b). National Center for Biotechnology Information (NCBI, Taxonomy browser). <https://www.ncbi.nlm.nih.gov/> (Erişim tarihi: 02.03.2024).
- Benli, M. (2003) Hasat sonrası fungal hastalıklarla kimyasal ve biyolojik mücadele. *Orlab On-Line Mikrobiyoloji Derg.* 1: 1-25.
- Brown, G.E., (2011). Sour Rot, casual organism and disease cycle. Institute of Food and Agricultural Sciences, University of Florida p.137.
- Cemeroğlu, B. (2004). Meyve ve Sebze işleme Teknolojisi. ISBN 975-98578-1-2. Kültür ve Turizm Bakanlığı, Ankara.
- Chen, C., Cai, N., Chen, J., Wan, C. (2019). Clove essential oil as an alternative approach to control postharvest blue mold caused by *Penicillium italicum* in citrus fruit. *Biomolecules*, 9(5), 197.
- Chen, C., Cai, N., Chen, J., Wan, C. (2019). UHPLC-Q-TOF/MS-based metabolomics approach reveals the antifungal potential of pinocembroside against citrus green mold phytopathogen. *Plants*, 9(1), 17.
- Eckert, J. W. (1977). Control of Postharvest Diseases. In *Antifungal Compounds*, ed. M.R.Siegel, H.D.Sisler, 1:269-352, New York; Marcel Dekker Inc. 600pp.
- Eckert, J. W. and Ogawa, J. M. (1985). Chemical Control of Postharvest Diseases: Subtropical and Tropical Fruits. *Ann. Rev. Phytopathol.*, 23: 421-454pp.
- Eckert, J.W., Brown, G.E., (1988). Sour rot. In: Whiteside, J.O., Garnsey, S.M., Timmer, L.W. (Eds.), *Compendium of Citrus Diseases*. APS Press, St Paul MN, pp. 37- 38.
- FAO, (2022). Food and Agriculture Organization of the United Nations Official Website. <http://www.fao.org/faostat/en/#data>
- Giassi V, Kiritani C, Kupper, K.C. (2015). Bacteria as Growth-Promoting Agents for Citrus Rootstocks. *Microbiological Research* 190:02-50.
- Ismail, M., Zhang, J. (2004). Post-harvest citrus diseases and their control. *Outlooks on Pest Management*, 15(1), 29.
- Kader, A. (1992). Postharvest Technology of Horticultural Crops. Second ed., Chapter 3, Postharvest Biology and Technology.
- Karaçalı, İ. (1993). Bahçe Ürünlerinin Muhafaza ve Pazarlaması. Ege Üniversitesi Ziraat Fakültesi Yayınları No: 494, İzmir.
- Kellerman, M., Joubert, J., Erasmus, A., and Fourie, P. H. (2016). Postharvest Biology and Technology The effect of temperature, exposure time and pH on imazalil residue loading and green mould control on citrus through dip application. *Postharvest Biol. Technol.* 121, 1–6.
- Knor, L. C. (1973). *Citrus Diseases and Disorders*, The University Press Of Florida. Gainesville, 163pp.
- Liu, Y., Wang, W., Zhou, Y., Yao, S., Deng, L., Zeng, K. (2017). Isolation, identification and in vitro screening of Chongqing orangery yeasts for the biocontrol of *Penicillium digitatum* on citrus fruit. *Biological Control*, 110, 18-24.
- Louw, J. P., and Korsten, L. (2015). Pathogenicity and Host Susceptibility of *Penicillium* spp. on Citrus. *Plant Dis.* 99, 21–30.
- Özbek, T., Delen, N. (1995). Turunçgil meyvelerinde *Penicillium* Türlerinin Oluşturduğu Depo Çürüklüklerine Karşı Savaşım Olanakları Üzerinde Araştırmalar Türkiye VII. Fitopatoloji Kongresi Bildirileri, 26-29.
- Palou, L. (2014). *Penicillium digitatum*, *Penicillium italicum* (green mold, blue mold). In *Postharvest decay* (pp. 45-102). Academic Press.
- Palou, L. (2016). Non-polluting chemical approaches to control citrus postharvest diseases. *Journal of Bacteriology & Mycology*, 2(2), 40-41.
- Palou, L. (2018). Postharvest treatments with GRAS salts to control fresh fruit decay. *Horticulturae*, 4(4), 46.
- Papoutsis, K., Mathioudakis, M. M., Hasperué, J. H., and Ziogas, V. (2019). Nonchemical treatments for preventing the postharvest fungal rotting of citrus caused by *Penicillium digitatum* (Green Mold) and *Penicillium italicum* (Blue Mold). *Trends Food Sci. Technol.* 86, 479–491.
- Satari, B. and Karimi, K. (2018). Citrus processing waste environmental impacts, Recent advances, and future perspectives in total valorization. *Resour. Conserv. Recycle*, 129:153-167.
- Sanofer, A. A. (2014). Role of citrus fruits in health. *Journal of Pharmaceutical Sciences and Research*, 6(2), 121.

- Smilanick, J. L., Mansour, M. F. (2007). Influence of temperature and humidity on survival of *Penicillium digitatum* and *Geotrichum citri-aurantii*. *Plant Disease*, 91(8), 990-996.
- Snowdon A (1990) *A Colour Atlas of Post-Harvest Diseases and Disorders of Fruits and Vegetables*, Vol. 1: General Introduction and Fruits, Wolfe Scientific, London, 302 pp.
- TÜİK, (2024). Bitkisel Üretim İstatistikleri, <https://biruni.tuik.gov.tr/medas/?locale=tr> (Erişim Tarihi 01.03.2024).
- Uysal, O. ve Polatöz, S. 2017. Dünyada ve Türkiye’de turunçgil üretimi ve dış ticareti. *Türkiye Tohumcular Birliği Dergisi*, 22(1): 6-11.
- Waller, J. M., Lenne, J. M., and Waller, S. J. (2001). *The Plant Pathologists’ Pocketbook*, 3rd edn. Walling Ford, UK: CABI Publishing.
- Whiteside, J. O., Garnsey, S. M. and Timmer, L. W. (1989). *Compendium of Citrus Diseases*, The American Phytopathological Society, Minnesota.
- Yeşiloğlu T, (2011). Turunçgiller ve İncir Yetiştiriciliği. *Bahçe Tarımı-II. Anadolu Üniversitesi*, 2358: 101-110.
- Zhang, X., Guo, Y., Guo, L., Jiang, H. ve Ji, Q. (2018). *Melaleuca alternifolia* esansiyel yağının antioksidan ve antimikrobiyal aktivitelerinin in vitro değerlendirilmesi. *Biomed Arş. Uluslararası* 2018:2396109.

EXPECTATIONS OF FARMERS FROM ORGANIC FARMING IN THE NEAR FUTURE IN THE EASTERN MEDITERRANEAN REGION, TURKEY

Hakan BOZDOĞAN

Kırşehir Ahi Evran University, Vocational School of Technical Sciences, 40100, Kırşehir, Turkey

ABSTRACT

The primary employees of Organic Agriculture Activities are undoubtedly our farmers who carry out activities such as sowing, planting, irrigation and fertilization. In this study, the expectations of farmers in some provinces in the Eastern Mediterranean Region (Adana, Hatay, Kahramanmaraş and Osmaniye) from organic farming practices were investigated. The ecological conditions of the region are compared with the basic principles of organic agriculture. It is anticipated that the study findings will bring effective solutions to organic farming practices in the region.

Keywords: Insect, Organic Farming, Agriculture, Ecology

INTRODUCTION

The development of organic agriculture in Turkey started with the demands from European countries, and today approximately 100 types of organic products are produced (Aksoy, 2003).

Organic or Biological Agriculture; It is a field of endeavor that re-establishes the natural balance lost as a result of faulty practices in ecological systems, without the need for chemical pesticides or fertilization (Rehber, 1991; Altındışli and İlter, 1999; Bülbül and Tanrıvermiş, 1999; Gökçe, 1992).

The Eastern Mediterranean Region is a unique geography that contains unique floristic and faunistic elements and includes approximately half of Turkey's flora. In this respect, the existence of rich agricultural lands will be more meaningful by raising the awareness of farmers farming in this area.

In this study, the near future expectations of farmers farming in Adana, Hatay, Kahramanmaraş and Osmaniye provinces in the Eastern Mediterranean Region from organic agriculture were investigated.

Material and Method

As a survey, 120 different farmers were asked about their expectations from organic farming activities. The answers obtained were noted in the field book.

Results and Discussion

Organic agriculture expectation determination for farmers in the Eastern Mediterranean Region (Adana, Hatay, Kahramanmaraş and Osmaniye Provinces) sets a precedent. 30 different farmers from each city were identified and asked some questions about organic agriculture (Fig.1, Fig.2).

Expectations from Organic Agriculture					
		Adana	Hatay	Kahramanmaraş	Osmaniye
1	Product Quality	18	30	21	30
2	Reduction in product cost	11	25	14	20
3	Extended product shelf life	8	22	23	15
4	Ecological Goodness	24	17	28	17
5	Decrease in Pesticide Use	16	26	14	10

Figure 1. Farmers' Expectations from Organic Agriculture in 4 different provinces

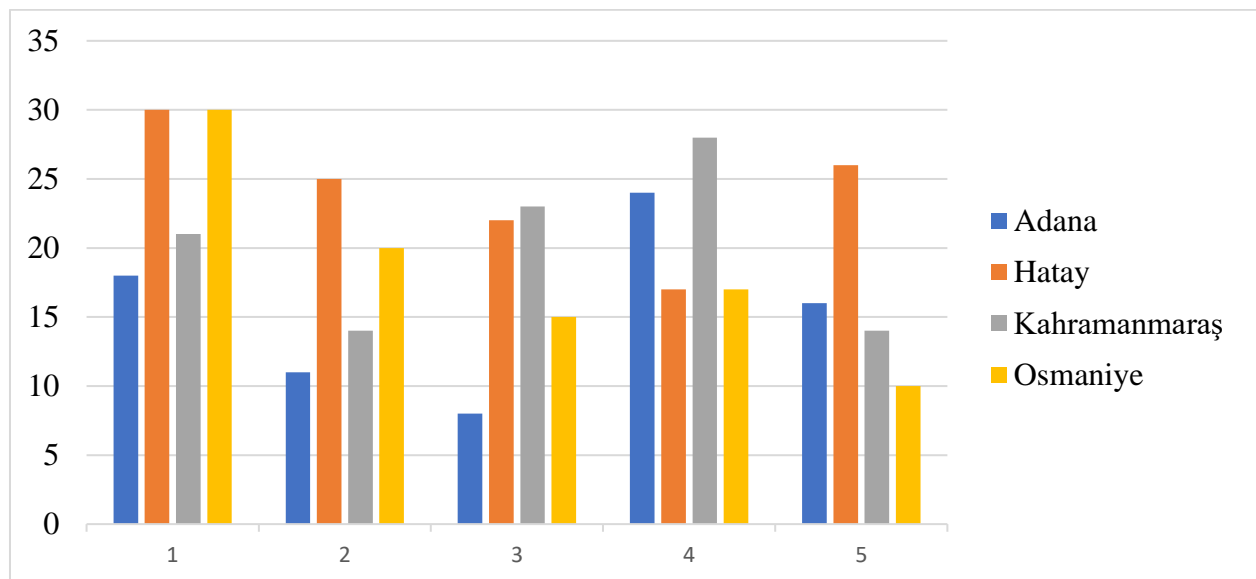


Figure 2. Percentage of Farmers' Expectations from Organic Agriculture

In the study findings, there was little expectation that organic agriculture could reduce pesticide use in all provinces, which shows that the concept of organic agriculture is not well understood by farmers. However, expectations have been determined that organic farming practices will have a positive impact on product quality in Hatay and Osmaniye provinces. This study, which

is a draft in the Eastern Mediterranean Region, needs to be developed by increasing the number of samples.

REFERENCES

- Aksoy, U. (2003). Dünya’da ve Türkiye’de ekolojik tarım. Bitki Koruma Programı ve Uygulama Prensipleri, Tarım ve Köyişleri Bakanlığı, Koruma Kontrol Genel Müdürlüğü, Ankara.
- Rehber, E., 1991. Alternatif Tarım Üzerine Bir Tartışma. Uludağ Üniv. Zir. Fak. Dergisi Cilt:8, Bursa.
- Altındişli, A., İter, E., 1999. Eko-Tarımda İlke ve Kavramlar. Ekolojik Tarım Eğitimi Ders Notları. ETO, İzmir.
- Bülbül, M., Tanrıvermiş, H., 1999. Türkiye’de Ekolojik ve Geleneksel Fındık Üretim Ekonomisi ve Pazarlama Yapısı. Türkiye 1. Ekolojik Tarım Sempozyumu, 21-23 Haziran 1999, İzmir.
- Gökçe, O., 1992. Çevre Sorunları Karşısında Gelişmiş Ülkelerin Tarım Politikalarındaki Yeni Yönelimler ve Türkiye. MPM Verimlilik Dergisi, Sayı:1992/1, Ankara.

BIOTIC AND ABIOTIC FACTORS THAT FARMERS SEE AS THREATS TO BIODIVERSITY IN THE EASTERN MEDITERRANEAN REGION, TURKEY

Hakan BOZDOĞAN

Kırşehir Ahi Evran University, Vocational School of Technical Sciences, 40100, Kırşehir, Turkey

ABSTRACT

Biotic and abiotic factors are one of the important factors affecting biodiversity. Considering the long-term damage that chemical control can cause, biological control is an extremely attractive method of control. In this study, farmers' awareness of biological control was investigated. It is anticipated that the results obtained will contribute to creating the method of biological control.

Keywords: Insect, Biodiversity, farming

INTRODUCTION

One of the most important building blocks affecting biodiversity is biotic and abiotic factors. Factors such as global warming, fossil fuel use, and increase in ozone and greenhouse gas emissions have greatly affected biodiversity (Türkeş et al., 2000). Biodiversity, which consists of 3 basic components: genetic, species and ecosystem diversity, can have a structural meaning provided that it is sustainable (Yavuz, 2023). The Eastern Mediterranean Region, which has a unique flora and fauna, was chosen as the study area due to its high endemism (Güzelmansur and Lise, 2013).

In this study, biotic and abiotic factors that agricultural workers think may pose a threat to biodiversity in the Eastern Mediterranean Region (Adana, Kahramanmaraş, Osmaniye, Hatay) were investigated.

Material and Method

Within the scope of the study, questions were asked to 200 different farmers about biotic and abiotic factors that threaten biodiversity. The results obtained were recorded in the survey book.

Result and Discussion

A survey was conducted on 200 farmers from 4 different provinces and they were asked what biotic and abiotic factors negatively affect biodiversity.

Factors Affecting Biodiversity	Adana	Kahramanmaraş	Osmaniye	Hatay
Heat ©	10	22	11	18
Acidity Rate	5	2	1	4
Soil	23	29	30	40
Day Light	4	16	20	14
Water	43	36	40	44
Other organisms	5	8	8	11

Figure 1. Distribution of farmers' answers according to biotic and abiotic factors

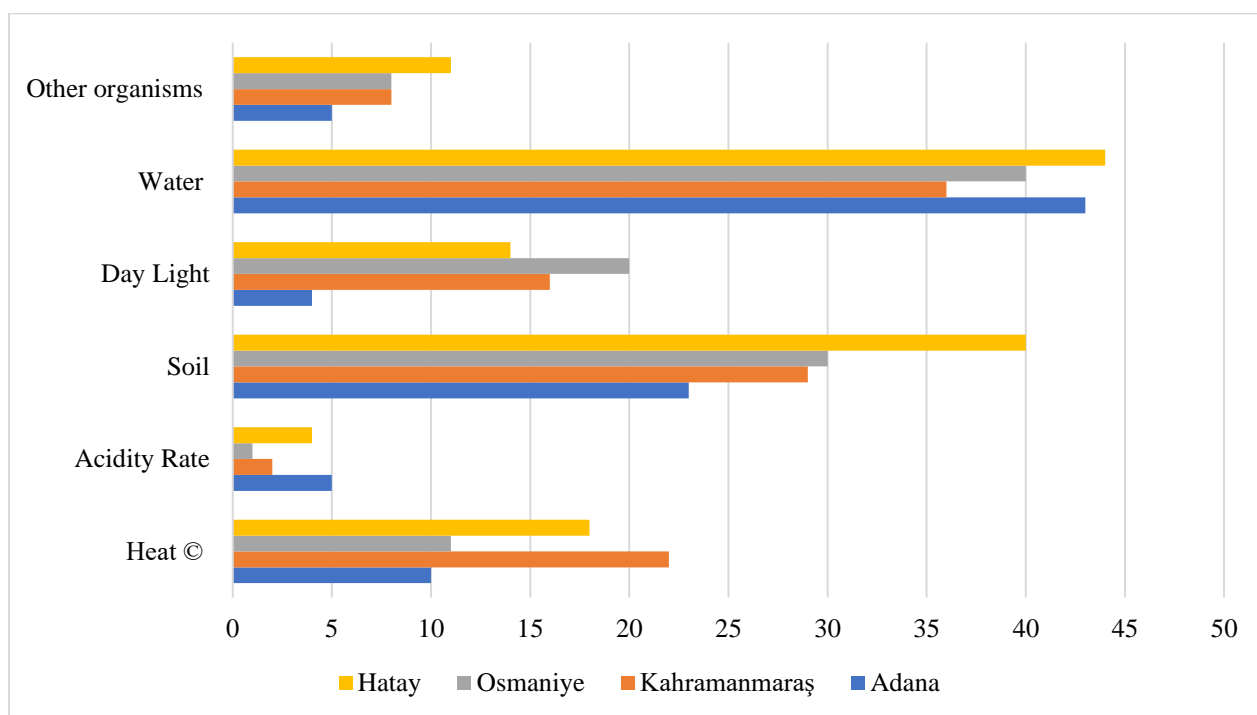


Figure 2. Distribution of farmers' responses to biotic and abiotic factors in 4 provinces

According to the study findings, the biggest threat that farmers see to biodiversity is water. On the other hand, the rate of other organisms among the factors affecting biodiversity was found to be extremely low. Soil also appears as a second parameter that negatively affects biodiversity in all our provinces. We attribute such a phenomenon to the need to educate farmers about concepts such as predators, parasites and intermediate hosts, which are considered to be related to other organisms.

REFERENCES

- Türkeş, M., Sümer, U. M. & Çetiner, G. (2000). Küresel İklim Değişikliği ve Olası Etkileri, Çevre Bakanlığı, Birleşmiş Milletler İklim Değişikliği Çerçeve Sözleşmesi Seminer Notları (13 Nisan 2000, İstanbul Sanayi Odası), 7-24, ÇKÖK Gn. Md., Ankara.
- Yavuz, Mustafa. Biyoçeşitlilik: ne, niçin, nasıl?. Akademik Düşünce Dergisi, 2023, 7: 3-20.
- Güzelmansur, A; Lise, Y. Amanos Dağları'nın biyoçeşitliliği. 2013. MKU Ziraat Fakültesi Dergisi 18 (2): 55-68, 2013

FACTORS THREATENING KAHRAMANMARAŞ NATURAL AREAS (NEAR TERM 2020-2023)

Hakan BOZDOĞAN

Kırşehir Ahi Evran University, Vocational School of Technical Sciences, 40100, Kırşehir, Turkey

ABSTRACT

Due to its geographical location, Kahramanmaraş is located at the intersection of 3 different climatological zones. This city, which is extremely rich in floristic and faunistic terms, also contains many natural areas. In this study, factors that threaten natural areas in Kahramanmaraş Province and can also be considered a threat to biodiversity were investigated. The data obtained was compared with literature information.

Keywords: Insect, Biodiversity, Kahramanmaraş

INTRODUCTION

Kahramanmaraş Province contains more than 500 plant species. The city is also at the crossroads of biodiversity, including Mediterranean, Iran-Turanian and European-Siberian elements (Varol, 2003). Kahramanmaraş is also a unique region due to factors such as different habitat types, specialized climate types, and soil characteristics (Ertuğrul and Aytaç, 2023). Insects are nature's bioindicator creatures (Chowdhury et al., 2023). In this study, the factors that threaten the natural areas in Kahramanmaraş and its surroundings and other insect populations, especially Neuropters, are discussed.

Materia and Method

Within the scope of the study, 20 different natural areas were identified in Kahramanmaraş and its surroundings and environmental factors threatening these natural areas were identified. In this 3-year survey study, each year's results were evaluated independently of each other. The data obtained was recorded in the survey book. Biogeographic data were used to determine local areas. Adult Neuroptera species were collected from the study area and recorded in the field notebook. A comparison was made with previously recorded families in the field, in the light of the literature. The procedure reported by Şengonca 1980 was applied in the identification and identification of the species (Şengonca, 1980).

Result and Discussion

The factors threatening 20 different natural area locations within the scope of the study are given in Table 1. Although observed in previous records, lacewing species belonging to the Hemerobiidae Family have not been encountered in the majority of locations (Bozdoğan, 2012).

Natural Area No	Threatening Element	Year
1	Small livestock grazing	2022
2	Small workshops and businesses	2023
3	Park-Garden Construction	2020
4	Environmental waste (widespread)	2021
5	Pesticide use	2022
6	Domestic waste	2023
7	Incorrect fertilizer use	2020
8	Park-Garden Construction	2021
9	Incorrect fertilizer use	2023
10	Pesticide use	2021
11	Small workshops and businesses	2022
12	Domestic waste	2022
13	Small workshops and businesses	2023
14	Environmental waste (widespread)	2023
15	Pesticide use	2022
16	Small livestock grazing	2021
17	Environmental waste (widespread)	2020
18	Small workshops and businesses	2020
19	Small livestock grazing	2021
20	Park-Garden Construction	2022

Table1. Elements that threaten natural area locations

Natural Area No	Gözlenmeyen Familyalar	Year
1	Osmylidae	2020
2	Hemerobiidae	2021
3	Chrysopidae	2020
4	Coniopterygidae	2021
5	Hemerobiidae	2021
6	Hemerobiidae	2020
7	Coniopterygidae	2020
8	Hemerobiidae	2023
9	Coniopterygidae	2022
10	Myrmeleontidae	2022
11	Hemerobiidae	2021
12	Hemerobiidae	2021
13	Hemerobiidae	2022
14	Hemerobiidae	2022
15	Coniopterygidae	2022
16	Hemerobiidae	2021
17	Myrmeleontidae	2023
18	Hemerobiidae	2023
19	Hemerobiidae	2022
20	Coniopterygidae	2020

Table 2. Lacewing families not observed in natural field locations

REFERENCES

- Varol, Ö. (2003). Flora of Başkonuş Mountain (Kahramanmaraş). *Turkish Journal of Botany*, 27(2), 117-139.
- Ertuğrul, T., & Aytaç, Z. (2023). Delihöbek Dağı Florası (Göksun/Kahramanmaraş). *Bağbahçe Bilim Dergisi*, 10(1), 45-98.
- Chowdhury, S., Dubey, V. K., Choudhury, S., Das, A., Jeengar, D., Sujatha, B., ... & Kumar, V. (2023). Insects as bioindicator: A hidden gem for environmental monitoring. *Frontiers in Environmental Science*, 11.
- Bozdoğan, H., 2012. Kahramanmaraş İli Neuroptera (Planipennia) Faunası Üzerine Araştırmalar, Kahramanmaraş Sütçü İmam Üniversitesi, Fen Bilimleri Enstitüsü, 263s.
- Şengonca, Ç., Neuroptera'ların toplanma, tanıya hazırlanma ve genital preparasyonlarının yapılma yöntemlerinin esasları [Die Grundrisse zur Methodik des Sammelns, der Vorbereitung zur Determination von Neuropteren und die Konservierung ihrer Genitalien]. *Türkiye Bitki Koruma Dergisi* 4:131-138, 1980.

FARKLI YÖNTEMLERLE KURUTULAN ATIK MISIR KABUKLARININ RENK VE FİZİKOKİMYASAL ÖZELLİKLERİ İLE TOPLAM FENOLİK İÇERİK VE ANTİOKSİDAN KAPASİTESİNİN BELİRLENMESİ

Fatma Sezer ÖZTÜRK

Inonu University, Malatya OIZ Vocational School, Department of Food Processing, Malatya, Türkiye

ORCID ID: 0000-0001-6898-6943

Sevil ERGÜL

Inonu University, Malatya OIZ Vocational School, Department of Food Processing, Malatya, Türkiye

ORCID ID: 0000-0002-6536-2737

ÖZET

Bitkisel atıklardan sağlık üzerine faydalı etkiye sahip olan biyoaktif bileşiklerin elde edilmesi, bu atıkların bertarafına alternatif olarak faydalı ve değerli bir yaklaşımdır. Mısır bitkisinin karotenoidler, flavonoidler, fenolik bileşikler gibi antioksidan bileşikler açısından zengin olduğu ve kabuk kısmının bitkisel atıklara dahil olduğu bilinmektedir. Bu çalışmada, farklı kurutma yöntemlerinin atık mısır kabuğu tozlarının renk ve fizikokimyasal özellikleri ile toplam fenolik içerik ve antioksidan kapasite düzeyleri üzerine etkisi araştırılmıştır. Taze ve kurutulmuş toz atık mısır kabuklarında toplam nem içeriği, toplam kül içeriği, toplam asitlik, çözünür kuru madde miktarı, pH, su aktivitesi ve renk değerleri belirlenmiştir. Kurutma işlemi sonucu taze mısır kabuğu tozuna kıyasla toplam renk farkının (ΔE) bütün kurutulmuş örnekler için gözle görünür şekilde değiştiği belirlenmiştir. En yüksek ΔE değerinin (24.42 ± 1.48) mikrodalgada kurutulmuş mısır kabuğu tozunda (MMK) olduğu saptanmıştır. Örneklerden fenolik bileşiklerin ekstraksiyonunda iki farklı solvent kullanılmış ve % 1 HCl ile asitlendirilmiş olan solventin (80MH) toplam fenolik içerik verimini artırdığı tespit edilmiştir. Kurutulmuş mısır kabuğu tozlarında en yüksek (323.25 ± 3.56 gallik asit eşdeğeri (GAE)/100 g kuru madde (KM)) toplam fenolik içerik, 80MH solventi ile ekstrakte edilen konveksiyonel fırında kurutulmuş mısır kabuğu tozunda (KMK) belirlenmiştir. Bir diğer öne çıkan sonuç ise ABTS yöntemiyle belirlenen antioksidan kapasite düzeyinin tüm örneklerde DPPH yöntemine göre daha yüksek olmasıdır.

Anahtar Kelimeler: Antioksidan Aktivite, Atık, Mısır Kabuğu, Toplam Fenolik İçerik

DETERMINATION OF THE COLOR AND PHYSICOCHEMICAL PROPERTIES, TOTAL PHENOLIC CONTENT AND ANTIOXIDANT CAPACITY OF WASTE CORN HUSKS DRIED BY DIFFERENT METHODS

ABSTRACT

Obtaining bioactive compounds that have beneficial effects on health from plant wastes is a useful and valuable approach as an alternative to the disposal of these wastes. It is known that the corn plant is rich in antioxidant compounds such as carotenoids, flavonoids, and phenolic compounds, and the husk part is included in the plant wastes. In this study, the effects of different drying methods on the color, physicochemical properties, total phenolic content and antioxidant capacity levels of powdered waste corn husks were investigated. Total moisture content, total ash content, total acidity, soluble solids amount, pH, water activity and color values were determined in fresh and dried powdered waste corn husks. As a result of the drying process, it was determined that the total color difference (ΔE) compared to fresh corn husk powder changed visibly for all dried samples. It was detected that the highest ΔE value (24.42 ± 1.48) was in microwave-dried corn husk powder. Two different solvents were used in the extraction of phenolic compounds from the samples and it was determined that the solvent acidified with 1% HCl (80MH) increased the total phenolic content yield. In dried corn husk powders, the highest (323.25 ± 3.56 gallic acid equivalent (GAE)/100 g dry matter (DM)) total phenolic content was detected in convection oven-dried corn husk powder (DMK) extracted with 80MH solvent. Another prominent result is that the antioxidant capacity level determined by the ABTS method in all samples is higher than the DPPH method.

Keywords: Antioxidant Activity, Corn Husk, Total Phenolic Content, Waste

1. GİRİŞ

Dünya çapında gıda tüketimi beraberinde tonlarca atık oluşumuna neden olmaktadır. Kabuklar ve yapraklar gibi bitkisel atıklar uygunsuz bir şekilde bertaraf edildiğinde ciddi çevre sorunlarına yol açabilmektedir (Ghasemi, Ghasemi, ve Ebrahimzadeh, 2009). Bitkisel atıkların kâğıt, tekstil endüstrisi, kompozitler, inşaat, mobilya ve tıp alanları gibi çok çeşitli uygulamalarda yaygın olarak kullanıldığı bilinmektedir (Ratna, Ghosh, ve Mukhopadhyay, 2022). Ayrıca, bu atıklar hayvan yemi ve biyoyakıt olarak kullanılabilmelerine rağmen, kullanım alanları hala sınırlıdır (Khamphan ve ark., 2018). Bitkisel atıkların farklı biyomolekülleri içeren değerli birer kaynak olduğu bilinmekte ve bu atıklardan sağlık üzerine faydalı etkiye sahip olan bileşiklerin alınmasının da atık değerlendirilmesinde etkili bir yaklaşım olabileceği öngörülmektedir. Son yıllarda, atıkların değerlendirilmesine yönelik

kapsamlı çalışmalar gerçekleştirilmektedir. Yapılan bir çalışmada, çeşitli gıda kabuklarının, diğer meyve ve sebze kısımlarından daha yüksek antioksidan aktiviteye sahip olabilecek faydalı biyoaktif bileşikler içerdiği rapor edilmiştir (Lim, Lim, ve Tee, 2006).

Oksidatif stres, birçok kronik ve dejeneratif hastalıkların oluşumunda etkili olmaktadır (Aruoma, 1998). Oksidatif strese bağlı birçok hastalığın önlenmesi ve tedavisinde fenolik bileşiklere olan ilgi giderek artış göstermektedir (Hao ve ark., 2022). Antioksidanlar, hedef molekülde oksidatif stresi geciktiren veya engelleyen maddelerdir (Vijayalaxmi, Jayalakshmi, ve Sreeramulu, 2015). Fenoliklerin antioksidan, antimutajenik, antitümör, antiaterojenik ve kardiyoprotektif gibi önemli biyolojik aktivitelere sahip olduğu bilinmektedir. Fenolik bileşikler tahıllarda, meyvelerde veya diğer bitki ürünlerinde bulunan en önemli sekonder metabolitler olup, bitki fenolikleri bitkinin bütün kısımlarında bulunabilmektedir (Dong ve ark., 2014). Farklı doğal biyoaktif bileşenlerin (fenolik asitler, flavonoidler, saponinler ve karotenoidler gibi) farklı gıdaların kabuklarında etli kısımlarından daha yüksek bir konsantrasyonda bulunduğu bildirilmiştir (El-Sawi, Ibrahim, Bassuiny, ve Merghany, 2023).

Mısır (*Zea mays* L.), 2019 yılında dünya çapında en çok yetiştirilen tahıl olup, esas olarak hayvan yemi, etanol üretimi ve insan tüketimi için kullanılmaktadır (Galeana-López ve ark., 2021). Mısır, karotenoidler, flavonoidler, fenolik bileşikler gibi sağlık üzerine faydası olan birçok değerli biyoaktif bileşiği içermektedir (Khamphan ve ark., 2018). Mısır bitkileri, % 15 kabuk, % 35 yaprak ve koçan ile % 50 sap kısmından oluşmaktadır (Ibrahim, Sapuan, Zainudin, ve Zuhri, 2020). Mısır bitkisi üretiminde koçan ve kabuk atık olarak değerlendirilmektedir. Antioksidanlar gibi faydalı bileşiklerin koçan ve kabuktaki içeriğinin anlaşılmasının bu bitkisel atıkların katma değerli ürünlerin üretiminde kullanılmasını teşvik edeceği öngörülmektedir. Doğal fenoliklerin gıda endüstrisinde uygulanması için mükemmel verimlilikte ekstraksiyon önem teşkil etmektedir. Fenolik ekstraksiyon veriminin çoğunlukla çözücülerin polaritelerine bağlı olduğu genel olarak bilinmektedir. Günümüzde bitki fenolik bileşiklerinin antioksidan kapasitesinin değerlendirilmesinde çeşitli yöntemler kullanılmaktadır. ABTS veya DPPH radikal süpürme yöntemleri, bileşenlerin antioksidan kapasitelerinin tespit edilmesinde yaygın olarak kullanılan spektrofotometrik prosedürlerdir (Gülçin, Huyut, Elmastaş, ve Aboul-Enein, 2010). Bu çalışmada taze ve farklı yöntemlerle kurutulmuş atık mısır kabuğu tozlarında renk ve bazı fizikokimyasal özellikler belirlenmiştir. Ayrıca çalışmada örneklerde bulunan fenolik bileşiklerin iki farklı solvent ile ekstrakte edilmesi amaçlanmış olup, örneklerin toplam fenolik içerik ve antioksidan kapasite (DPPH ve ABTS) düzeyleri belirlenmiş ve kurutma yönteminin etkisi incelenmiştir.

2. ARAŞTIRMA VE BULGULAR

2.1. Deneysel Çalışmalar

2.1.1. Bitki materyali

Çalışmada kullanılan atık mısır kabukları Eylül 2023'te Malatya'daki yerel bir pazardan temin edilmiştir.

2.1.2. Atık mısır kabuklarında kurutma işlemleri

Kurutma işlemi öncesinde atık mısır kabukları temizlenip yıkanmıştır. Üç farklı kurutma yöntemi kullanılarak toz mısır kabukları elde edilmiştir. Ayrıca taze mısır kabukları (TMK) ekstraksiyona kadar $-20\text{ }^{\circ}\text{C}$ 'de polietilen torbalarda saklanmıştır.

2.1.2.1. Etüvde kurutma

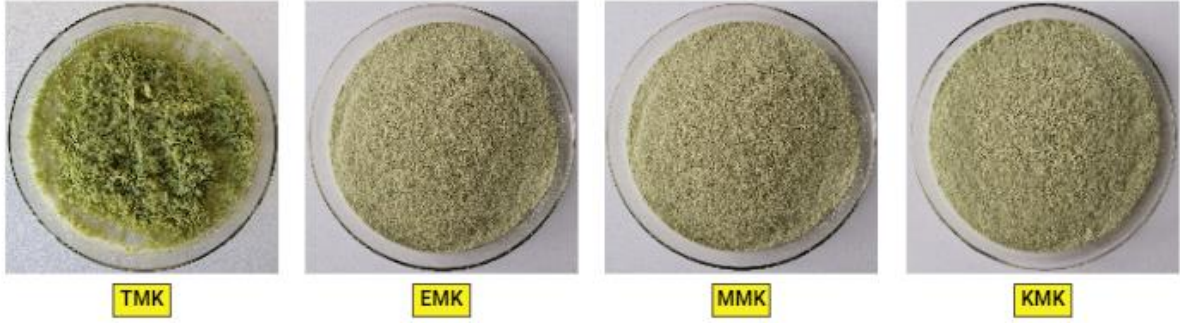
Fırında kurutma için 500 g mısır kabuğu etüvde (Nükleon, Ankara, Türkiye) $60\text{ }^{\circ}\text{C}$ 'de 5 saat süreyle kurutulmuştur (Olçay, Kömürcü, ve Demir, 2022).

2.1.2.2. Mikrodalga ile kurutma

Mikrodalga ile kurutma, Khaled Khodja ve arkadaşları (2020) tarafından belirtilen yöntemde bazı değişiklikler yapılarak gerçekleştirilmiştir. Mısır kabukları mikrodalga fırında (Samsung, Seul, Güney Kore) 300 W mikrodalga gücünde 10 dakika kurutulmuştur.

2.1.2.3. Konveksiyonel fırında kurutma

Mısır kabuğu (500 g) tepsilere yerleştirilmiş ve kurutma işlemi, konveksiyonel fırında (Fuoco, Venarro, Türkiye) $60\text{ }^{\circ}\text{C}$ 'de 1 m/s hava hızında 3 saat süre ile gerçekleştirilmiştir (Olçay, Kömürcü, ve Demir, 2022). Örneklerin nem içeriği 5 g/100 g'ın altına düşene kadar kurutma işlemine devam edilmiştir. Kurutma işlemi sonunda mısır kabukları öğütücüde (Alveo, Konya, Türkiye) öğütülmüş ve 0.1 mm gözenek çaplı elekten geçirilerek etüvde kurutulan (EMK), mikrodalgada kurutulan (MMK) ve konveksiyonel fırında kurutulan (KMK) toz örnekler elde edilmiştir. Elde edilen örnekler daha sonra analiz edilmek üzere polietilen torbalarda oda sıcaklığında ($24 \pm 1\text{ }^{\circ}\text{C}$) saklanmıştır. Analizlerde kullanılan örnekler Şekil 2.1'de gösterilmektedir.



Şekil 2.1. Taze ve farklı yöntemlerle kurutulmuş toz atık mısır kabukları (TMK: Taze mısır kabuğu, EMK: Etüvde kurutulan mısır kabuğu tozu, MMK: Mikrodalga ile kurutulan mısır kabuğu tozu, KMK: Konveksiyonel fırın ile kurutulan mısır kabuğu tozu.)

2.1.3. Atık mısır kabuklarında fizikokimyasal analizler

2.1.3.1. Nem içeriği

Nem içeriği (%), AOAC (2005)'e göre tespit edilmiştir. Kısaca, toz haline getirilmiş mısır kabuğu örneği (1 g), 105 °C sıcaklıktaki fırında (Nükleon NST-55, Türkiye) sabit tartıma gelene kadar kurutulmuştur. Desikatörde soğutulduktan sonra tartılmış ve sonuçlar (%) gravimetrik hesaplama ile verilmiştir.

2.1.3.2. Toplam kül içeriği

Mısır kabuklarının toplam kül içeriği (%), Saleem ve arkadaşlarının (2014) yöntemine göre belirlenmiştir. Toz mısır kabuğu örneği (2 g) darası alınmış porselen krozede tartılmış ve ardından kül fırınında (Model Mkf 106, Mipro, Türkiye) 675 ± 25 °C'de 6-8 saat süreyle külü karbondan arınana kadar yakılmıştır. Daha sonra porselen kroze soğuması için desikatöre yerleştirilmiştir. Sonuçlar (%) gravimetrik hesaplama ile ifade edilmiştir.

2.1.3.3. Toplam asitlik ve pH

Çoban (2020) tarafından bildirilen yöntemle göre toz mısır kabuğu örneklerinde pH belirlenmiştir. Toz haline getirilmiş mısır kabuğu örneğine (1 g) distile su (20 mL) ilave edilmiş ve manyetik karıştırıcı ile 150 rpm'de 10 dakika karıştırılmıştır. Karışım, muslin bez ile süzildükten sonra pH metre (Ohaus ST3100F, ABD) ile ölçümler gerçekleştirilmiştir. Daha sonra süzüntü fenolftalein indikatörü eşliğinde 0.1 N NaOH kullanılarak pembe renk oluşuncaya kadar titre edilmiştir (Odabaş, 2021). Toplam asitlik (%) sonuçları malik asit eşdeğeri cinsinden hesaplanmıştır.

2.1.3.4. Çözünür kuru madde miktarı

Taze ve farklı yöntemler ile kurutulmuş olan toz atık mısır kabuğu örneklerine belirli oranlarda distile su ilave edilmiş ve manyetik karıştırıcıda 150 rpm'de 10 dk boyunca karışması sağlanmıştır. Karışımlar muslin bez ile süzülüş ve çözünür kuru madde miktarı (°Bx), 20

°C’de bir dijital refraktometre (PTR 300 model, Index Instruments., Cambridgeshire, UK) kullanılarak tespit edilmiştir. Sonuçlar °Bx olarak ifade edilmiştir.

2.1.3.5. Su aktivitesi

Toz haline getirilen mısır kabuğu örneği ölçüm kaplarına yerleştirilmiş ve su aktivitesi ölçüm cihazı (Novasina Lab Swift-aw metre, Novasina AG, Zürih, İsviçre) kullanılarak örneğin su aktivitesi belirlenmiştir.

2.1.4. Renk ölçümleri

Hunter (1958) tarafından belirtilen yönteme göre toz atık mısır kabuğu örneklerinde renk indisleri belirlenmiştir. Taze ve kurutulmuş örneklerin rengi, beyaz standart bir karo ile kalibre edilmiş, el tipi bir kolorimetre (Chroma Meter–CR-400, Konica Minolta, Osaka, Japonya) kullanılarak değerlendirilmiştir. Renk indisleri olan L^* (parlaklık), a^* (kırmızılık-yeşillik) ve b^* (sarılık-mavilik) değerleri ile Chroma, hue açısı ve ΔE tespit edilmiştir.

2.1.5. Fenolik bileşiklerin ekstraksiyonu

Atık mısır kabuğundan fenolik bileşiklerin ekstraksiyonu, Galeana-López ve arkadaşları (2020) tarafından bildirilen yöntemde bazı değişiklikler yapılarak gerçekleştirilmiştir. Ekstraksiyon için iki farklı ekstraksiyon solventi (80M: metanol/su, 80:20, v/v, 80MH: metanol/su/HCl, 80:19:1, v/v/v) kullanılmıştır.

2.1.5.1. Serbest fenolik bileşiklerin ekstraksiyonu

Atık mısır kabuğu tozu (1 g) ve 10 mL ekstraksiyon solventi bir erlen içerisine alınmış ve çalkalamalı inkübatörde (MÇS-55, Mikrotest, Türkiye) 25 °C sıcaklıkta 150 rpm’de 72 saat çalkalanmıştır. Daha sonra karışım 4 °C sıcaklıkta 3000 g’de 20 dakika santrifüj edilmiştir. Serbest fenolik bileşikler süpernatantta toplanıp ayrılmış ve kullanılıncaya kadar –20 °C’de muhafaza edilmiştir.

2.1.5.2. Bağlı fenolik bileşiklerin ekstraksiyonu

Serbest fenolik bileşiklerin ekstraksiyonu sonunda geri kalan peletten bağlı fenolik bileşiklerin ekstraksiyonu gerçekleştirilmiştir. Pelet, 10 mL 2 M NaOH ile 95 °C’de 30 dk boyunca sindirilmiş olup daha sonra 25 °C sıcaklıkta 150 rpm’de çalkalanarak 1 saat süreyle inkübe edilmiştir. Ardından bu karışım 2 mL % 37’lik HCl ile nötrleştirilmiş ve üzerine lipidlerin ekstraktan santrifüj yoluyla uzaklaştırılması amacıyla 10 mL hekzan ilave edilmiştir. Daha sonra bu karışım 4 °C sıcaklıkta 3000 g’de 20 dakika santrifüj edilmiştir. Süpernatant elde edildikten sonra, pelette kalan fenolik bileşiklerin çıkarılması için 10 mL etil asetat ile beş kez yıkama işlemi uygulanmış ve etil asetat cam balonda toplanmıştır. Cam balondan etil asetatın

buharlaştırılması 35 °C’de vakum koşulları altında gerçekleştirilmiştir. Cam balondaki fenolik bileşik kalıntısı 2 mL ekstraksiyon solventi ile seyreltilmiş ve kullanılabilecek -20 °C’de muhafaza edilmiştir.

Depolanan serbest ve bağlı fenolik bileşik süpernatantları toplam fenolik bileşik belirlenmesi için karıştırılmıştır. Elde edilen bu ekstrakt, 0.45 µm naylon filtre ile filtre edilmiş olup toplam fenolik içerik ve antioksidan kapasite (DPPH ve ABTS) analizlerinde kullanılmıştır.

2.1.6. Toplam fenolik içeriğin belirlenmesi

Kraujalyte ve arkadaşları (2013) tarafından oluşturulan yöntemde bazı değişiklikler yapılarak toplam fenolik içerik tespit edilmiştir (Kraujalyte, Venskutonis, Pukalskas, Česonienė, ve Daubaras, 2013). Kısaca, deney tüpüne 0.1 mL ekstrakt, 0.4 mL distile su, 1 mL 0.2 N Folin–Ciocalteu reaktifi eklenmiş ve karanlık ortamda oda sıcaklığında 5 dk inkübe edilmiştir. Ardından deney tüpüne 1 mL % 7’lik Na₂CO₃ çözeltisi ilave edilmiş ve deney tüpü oda sıcaklığında, karanlıkta 90 dk bekletilmiştir. Absorbans okuması spektrofotometre (UV-1700 Spektrofotometre, Shimadzu, Kyoto, Japonya) kullanılarak 725 nm dalga boyunda gerçekleştirilmiştir. Toplam fenolik içerik standart olarak gallik asit kullanılarak tespit edilmiş olup, sonuçlar mg GAE/100 g KM olarak rapor edilmiştir.

2.1.7. Antioksidan kapasite analizleri

Taze ve farklı yöntemlerle kurutulmuş olan atık mısır kabuklarında iki farklı yöntem kullanılarak antioksidan kapasite belirlenmesi gerçekleştirilmiştir.

2.1.7.1. DPPH analizi

Ekstraktların DPPH’ya karşı radikal süpürme kapasitesi, daha önce açıklanan yöntemde bazı değişiklikler yapılarak tespit edilmiştir (Brand-Williams, Cuvelier, ve Berset, 2005). DPPH çözeltisinin absorbansı % 80 metanol kullanılarak 0.700 ± 0.020 olarak ayarlanmış olup analizlerde bu çözelti kullanılmıştır. Bir deney tüpüne 0.1 mL ekstrakt ve 1.9 mL DPPH çözeltisi alınmış ve oda sıcaklığında karanlık ortamda 60 dk inkübe edilmiştir. Absorbans okuması spektrofotometre ile 517 nm dalga boyunda gerçekleştirilmiştir. Çeşitli konsantrasyonlarda troloks standart çözeltisi hazırlanarak standart bir eğri elde edilmiş olup, sonuçlar mmol troloks eşdeğeri (TE)/kg KM olarak ifade edilmiştir.

2.1.7.2. ABTS analizi

Re ve arkadaşları (1999) tarafından belirtilen yöntemde bazı değişiklikler yapılarak ekstraktların ABTS yöntemine göre antioksidan kapasite belirlenmesi gerçekleştirilmiştir. ABTS stok çözeltisi (7.0 mM) ile K₂O₈S₂ çözeltisinin (2.45 mM) karanlık ortamda 16 saat süren

reaksiyonu sonucu ABTS radikal katyon (ABTS⁺) çözeltisi hazırlanmış olup absorbansı etanol kullanılarak 734 nm’de 0.700 ± 0.020 ’e ayarlanmıştır. Analiz için, deney tüpüne 0.2 mL ekstrakt ve 3.8 mL ABTS⁺ çözeltisi alınmış ve oda sıcaklığında karanlıkta 60 dk inkübasyona bırakılmıştır. Süre sonunda absorbans okuması 734 nm’de spektrofotometre ile gerçekleştirilmiştir. Çeşitli konsantrasyonlarda troloks standart çözeltilerinin etanol içerisinde hazırlanmasıyla standart bir kalibrasyon eğrisi elde edilmiş ve sonuçlar mmol TE/kg KM olarak verilmiştir.

2.1.8. İstatistiksel analiz

Analizler üç tekrar halinde gerçekleştirilmiş olup, sonuçlar ‘ortalama \pm standart sapma’ olarak verilmiştir. Elde edilen veriler, örnekler arasındaki farklılıkların önemini analiz etmek için istatistiksel yazılım (Windows için SPSS, sürüm 25.0) ile tek yönlü varyans analizi (ANOVA) kullanılarak analiz edilmiştir. Ortalamaları $P < 0.05$ önem düzeyinde karşılaştırmak için Duncan çoklu karşılaştırma testi kullanılmıştır.

2.2. Deneysel Sonuçlar

Taze ve farklı yöntemler ile kurutulmuş atık mısır kabuklarına ait bazı fizikokimyasal özellikler Tablo 2.1’de gösterilmiştir. Buna göre, taze mısır kabuğunda toplam nem içeriği $\% 56.57 \pm 0.40$ olarak belirlenmişken, farklı kurutma yöntemleri ile kurutulmuş olan EMK, MMK ve KMK örneklerinde toplam nem içeriği sırasıyla $\% 3.80 \pm 0.01$, $\% 3.65 \pm 0.02$ ve $\% 2.88 \pm 0.09$ olarak tespit edilmiştir. Su aktiviteleri incelendiğinde de en yüksek (0.939) su aktivitesine sahip örneğin TMK olduğu saptanmıştır.

Tablo 2.1. Taze ve farklı yöntemlerle kurutulmuş toz atık mısır kabuklarının fizikokimyasal özellikleri

Parametreler	TMK	EMK	MMK	KMK
Toplam nem içeriği (%)	56.57 ± 0.40^c	3.80 ± 0.01^b	3.65 ± 0.02^b	2.88 ± 0.09^a
Toplam kül içeriği (%)	1.44 ± 0.01^a	2.21 ± 0.03^c	2.22 ± 0.02^c	2.10 ± 0.02^b
Toplam asitlik (%)	0.45 ± 0.05^a	0.71 ± 0.04^b	0.72 ± 0.08^b	0.76 ± 0.06^b
pH	6.01 ± 0.02^c	5.96 ± 0.02^b	5.94 ± 0.01^b	5.90 ± 0.02^a
Çözünür kuru madde miktarı ($^{\circ}\text{Bx}$)	12.96 ± 1.03^a	25.22 ± 1.09^{bc}	23.21 ± 1.18^b	26.47 ± 1.12^d
Su aktivitesi (a_w)	0.939 ± 0.001^c	0.219 ± 0.002^b	0.218 ± 0.003^b	0.190 ± 0.002^a

Bir satırda aynı üst simgelerin izlediği değerler önemli ölçüde farklılık göstermez ($P < 0.05$).

(TMK: Taze mısır kabuğu, EMK: Etüvde kurutulan mısır kabuğu tozu, MMK: Mikrodalga ile kurutulan mısır kabuğu tozu, KMK: Konveksiyonel fırın ile kurutulan mısır kabuğu tozu.)

Tablo 2.1’e göre örneklerin toplam kül içerikleri incelendiğinde en yüksek kül içeriklerinin MMK ($\% 2.22$) ve EMK ($\% 2.21$) örneklerinde olduğu belirlenmiştir ($P < 0.05$). Beş farklı mısır

kabuğu örneği üzerine gerçekleştirilen bir çalışmada örneklerin kül içeriğinin % 3.3-6.8 aralığında değiştiği bildirilmiştir (de Carvalho Mendes ve ark., 2015). Taze mısır kabuğu örneğinin (TMK) % toplam asitliğinin (% 0.45) kurutulmuş mısır kabuklarına göre daha düşük olduğu edinilen bir diğer sonuçtur ($P<0.05$).

Tablo 2.2. Taze ve farklı yöntemlerle kurutulmuş toz atık mısır kabuklarının renk değerleri

Parametreler	TMK	EMK	MMK	KMK
L^*	52.12 ± 0.90^a	72.86 ± 0.98^b	74.44 ± 0.36^c	75.40 ± 0.66^c
a^*	-9.84 ± 0.48^a	-7.22 ± 0.15^c	-7.44 ± 0.27^{bc}	-7.66 ± 0.11^b
b^*	29.64 ± 0.76^c	23.98 ± 0.11^b	23.64 ± 0.17^b	22.76 ± 0.23^a
Chroma (C)	31.24 ± 0.81^c	25.06 ± 0.11^b	24.78 ± 0.15^b	24.02 ± 0.23^a
Hue açısı (h°)	108.36 ± 0.69^b	106.76 ± 0.34^a	107.46 ± 0.64^a	108.62 ± 0.28^b
ΔE	–	23.28 ± 1.22^{ab}	24.42 ± 1.48^b	21.66 ± 1.78^a

Bir satırda aynı üst simgelerin izlediği değerler önemli ölçüde farklılık göstermez ($P<0.05$).

(TMK: Taze mısır kabuğu, EMK: Etüvde kurutulan mısır kabuğu tozu, MMK: Mikrodalga ile kurutulan mısır kabuğu tozu, KMK: Konveksiyonel fırın ile kurutulan mısır kabuğu tozu.)

Tablo 2.2’de taze ve farklı yöntemlerle kurutulmuş toz atık mısır kabuklarına ait birincil ve ikincil renk değerleri verilmiştir. Renk, L^* , a^* ve b^* olmak üzere üç farklı boyut ile ifade edilmektedir. Bunlardan L^* değeri (0: Siyah, 100: Beyaz) parlaklığın göstergesidir. Örnekler içinde parlaklığı en düşük (52.12) olan örneğin TMK olduğu belirlenmiştir ($P<0.05$). Kurutma yöntemleri dikkate alındığında parlaklığı en düşük (72.86) olan örneğin etüvde kurutulmuş EMK örneği olduğu saptanmıştır ($P<0.05$). Bu durumun örneğin 60 °C gibi düşük sıcaklık değerinde 5 saat gibi uzun süre sıcaklığa maruz kalmasından kaynaklandığı ve parlaklık değerini muhafaza edemediği düşünülmektedir (Polatçı, Taşova & Saraçoğlu, 2020). a^* değeri kırmızılığı (+) veya yeşilliği (-) ifade etmektedir. Örneklerin a^* değerleri -7.22 ila -9.84 arasında değişmekte olup bu değerler yeşillik göstergesidir. TMK örneğinin yeşillik değerinin diğer örneklerle göre daha fazla (-9.84) olduğu belirlenmiş ve kurutma işlemi ile birlikte bu değer düşüş gösterdiği tespit edilmiştir. b^* değerinin ise sarılığı (+) ve maviliği (-) temsil ettiği bilinmektedir. Konveksiyonel fırında kurutulmuş olan KMK örneğine ait b^* değerinin (22.76 ± 0.23) diğer örneklerle kıyasla daha düşük olduğu edinilen bir diğer sonuçtur ($P<0.05$). Chroma (C) değeri, renk doygunluğunu ifade etmekle birlikte silindirin merkezinden dışa doğru artan bir değere (0-60) sahiptir (Keskin, Setlek & Demir, 2017). Taze örneğe göre kurutulmuş örnekler Chroma değeri açısından kıyaslandığında bütün kurutma yöntemlerinde Chroma değerlerinin azaldığı sonucuna varılmıştır ($P<0.05$). Hue açısı (h°) değeri ise renk canlılığını tanımlamakta olup $+a^*$ ile başlamaktadır. Açı ve renk ilişkisi şöyledir: 0°: $+a^*$ (kırmızı), 90°: $+b^*$ (sarı), 180°: $-a^*$ (yeşil), 270°: $-b^*$ (mavi) (Konica Minolta, 2007). Bu açı değerlerinin

aralarına karşılık gelen değerler ise ara renklerin oluştuğunu belirtmektedir. Örnekler için hue açısı değerinin 106.76-108.62° arasında değiştiği belirlenmiş olup, bu değerler örneklerin sarı-yeşil arası bir renge sahip olduğunu ifade etmektedir. L^* , a^* ve b^* değerlerinin birleşimi olan toplam renk farkı (ΔE), işleme sırasında gıdalardaki renk değişimini karakterize etmek için yaygın olarak kullanılan kolorimetrik bir parametredir (Guiné & Barroca, 2012). Tablo 2.2’de görüldüğü gibi EMK, MMK ve KMK örneklerinde taze örneğe göre ΔE değerlerinin sırasıyla 21.66, 23.28 ve 24.42 olduğu tespit edilmiştir. İnsan gözünün $\Delta E > 3$ olduğunda renk farklılıklarını algılayabildiği bilinmektedir (Pereira ve ark., 2014). Buna göre, kurutulmuş örneklerin taze örneğe göre toplam renk farkı gözle görülür ölçüde değişmiştir.

Taze ve farklı yöntemlerle kurutulmuş mısır kabuklarından iki farklı solvent (80M ve 80MH) kullanılarak elde edilmiş örnek ekstraktlarının toplam fenolik içerik ve antioksidan kapasite düzeyleri Tablo 2.3’te verilmiştir. Ekstraksiyonda kullanılan her iki solvent için de en yüksek toplam fenolik içeriğin KMK örneklerine ait olduğu belirlenmiş ve 80MH ekstraksiyon solventi için sonucun daha yüksek (323.25 ± 3.56 mg GAE/100 g KM) olduğu tespit edilmiştir ($P < 0.05$). En düşük (150.91 ± 2.65 mg GAE/100 g KM) toplam fenolik içeriğin 80M ekstraksiyon solventi ile ekstrakte edilmiş olan TMK örneğinde olduğu sonucuna varılmıştır. Tablo 2.3 incelendiğinde hidroklorik asit içeren solvent (80MH) ile elde edilen ekstraktlarda daha yüksek toplam fenolik içerik verimi sağlandığı görülmüştür. Bu durum, çözeltinin pH’ına bağlı olarak fenolik bileşiklerin farklı kimyasal formlarda bulunabileceği ile açıklanabilir. Önceki çalışmalarda ekstraksiyon solventlerinde hidroklorik asit varlığının, özellikle antosiyaninler için belirgin olan toplam fenolik bileşiklerin ekstraksiyon verimini artırdığı rapor edilmiştir (Petreska Stanoeva ve ark., 2020).

Oksidasyonun hem gıda kalitesi hem de insan sağlığı üzerinde olumsuz etkilere sahip olduğu bilinmektedir. Oksidatif hasarın gıdanın kahverengileşmesine, aromasının bozulmasına ve besin değerinde değişikliğe sebep olabileceği ve aynı zamanda hücre sel fonksiyona, yaşlanmanın hızlanmasına ve kardiyovasküler hastalıklarla ilişkili bileşiklerin oluşumuna yönelik potansiyel bir tehdide de yol açabileceğini bildirilmiştir (Dong ve ark., 2014). Bu çalışmada taze ve üç farklı kurutma yöntemi ile kurutulmuş atık mısır kabuklarının DPPH ve ABTS yöntemleri ile antioksidan kapasite düzeyleri belirlenmiştir. DPPH ve ABTS analizleri sonucu elde edilen antioksidan kapasite düzeyleri her iki yöntem içinde en yüksek konveksiyonel fırında kurutma yöntemi ile elde edilmiş olan KMK örneklerinde saptanmışken en düşük taze mısır kabuğu olan TMK örneklerinde tespit edilmiştir.

DPPH, doğal antioksidanların serbest radikal süpürme aktivitelerini incelemek için yaygın olarak kullanılan stabil bir serbest radikaldir. Çalışmada 80MH ekstraksiyon solventinin kullanıldığı ekstraktların DPPH radikal süpürme aktivitelerinin daha yüksek olduğu ve en yüksek (17.15 ± 0.40 mmol TE/kg KM) DPPH düzeyinin konveksiyonel kurutma ile elde edilmiş olan KMK örneğinde olduğu sonucuna ulaşılmıştır ($P < 0.05$).

Tablo 2.3. Farklı solventler ile ekstrakte edilmiş örneklerin toplam fenolik içerik ve antioksidan kapasite düzeyleri

Solventler	Örnek	Toplam fenolik içerik (mg GAE/100 g KM)	DPPH (mmol TE/kg KM)	ABTS (mmol TE/kg KM)
80M	TMK	150.91 ± 2.65^a	2.01 ± 0.14^a	10.71 ± 0.33^a
	EMK	176.89 ± 4.78^b	3.30 ± 0.05^b	12.71 ± 0.38^b
	MMK	211.25 ± 1.19^c	5.13 ± 0.10^c	23.28 ± 0.19^c
	KMK	220.24 ± 2.37^d	6.05 ± 0.20^d	27.70 ± 0.26^f
80MH	TMK	232.98 ± 5.30^e	12.35 ± 0.15^e	17.93 ± 0.91^c
	EMK	255.78 ± 2.39^f	14.13 ± 0.04^f	21.51 ± 0.49^d
	MMK	305.54 ± 2.40^g	15.38 ± 0.84^g	40.27 ± 0.11^g
	KMK	323.25 ± 3.56^h	17.15 ± 0.40^h	46.75 ± 0.97^h

Bir sütunda aynı üst simgelerin izlediği değerler önemli ölçüde farklılık göstermez ($P < 0.05$).

(TMK: Taze mısır kabuğu, EMK: Etüvde kurutulmuş mısır kabuğu tozu, MMK: Mikroalga ile kurutulmuş mısır kabuğu tozu, KMK: Konveksiyonel fırın ile kurutulmuş mısır kabuğu tozu.)

ABTS radikal süpürme aktivitesi, toplam antioksidan aktivitenin belirlenmesinde kullanılan bir yöntemdir. Oluşan $ABTS^+$ radikali, renksiz ABTS oluşturmak üzere elektron/hidrojen donörleri ile hızlı bir şekilde reaksiyona girmektedir. Çalışmada, ABTS antioksidan kapasite düzeyi en düşük (10.71 ± 0.33 mmol TE/kg KM) olan örneğin 80M ekstraksiyon solventi ile ekstrakte edilen EMK örneği olduğu belirlenmişken, en yüksek (46.75 ± 0.97 mmol TE/kg KM) olan örneğin ise 80MH ekstraksiyon solventi ile ekstrakte edilen KMK örneği olduğu sonucuna varılmıştır ($P < 0.05$). Dong ve arkadaşları (2014), ekstraksiyon solventi olarak % 80 metanol kullandıklarında mısır kabuklarında toplam fenolik içerik, DPPH ve ABTS antioksidan aktivite düzeylerini sırasıyla ~ 250 mg GAE/100 g KM, ~ 0.07 mmol TE/kg KM ve ~ 2 mmol TE/kg KM olarak tespit etmişlerdir. Başka bir çalışmada atık mısır kabuğunun % 70 metanol kullanılarak ekstraksiyonu gerçekleştirilmiş ve toplam fenolik içeriğin 45.45 ± 0.12 g GAE/100 g ekstrakt olduğu bildirilmiştir (Vijayalaxmi, Jayalakshmi, ve Sreeramulu, 2015). Fernandez-Aulis ve arkadaşları (2019), mısır kabuklarının maserasyon yöntemi ile ekstraksiyonu sonucu toplam fenolik içeriği 41.08 ± 3.72 mg GAE/g KM olarak rapor etmişlerdir. Yapılan çalışmalarda sonuçlar arasındaki farklılıklar, hasat öncesi ve sonrası koşullara, tercih edilen kurutma yöntemine ve ekstraksiyon solventine bağlanabilmektedir. Bitkilerden elde edilen ekstraktlarda

ekstraksiyon verimi ve antioksidan aktivite düzeyinin, solvent polaritesine bağılı olarak da deęişkenlik gösterdiği rapor edilmiş olup, en yüksek ekstraksiyon veriminin etanol, metanol ve bunların su ile oluşturulan karışımlarından elde edildiği ifade edilmiştir (Vijayalaxmi, Jayalakshmi, ve Sreeramulu, 2015).

SONUÇ

- Bu çalışmada etüv, mikrodalga ve konveksiyonel fırın ile kurutma yöntemleri kullanılarak toz atık mısır kabuklarında renk ve bazı fizikokimyasal özellikler incelenmiş ve sonuçlar karşılaştırılmıştır. KMK örneğinde en düşük toplam nem ve toplam kül içeriği belirlenmiştir. Kurutulmuş örneklerin taze örneğe göre toplam renk farkı gözle görülür ölçüde deęişmiş olup, en fazla deęişimin MMK örneğinde olduğu tespit edilmiştir.
- Bitkisel atıkların antioksidan özelliğe sahip fenolik bileşikler bakımından zengin olduğu bilinmektedir. Taze ve üç farklı yöntemle kurutulan atık mısır kabuklarının iki farklı solvent ile ekstraksiyonu gerçekleştirilmiş ve hidroklorik asit içeren solvent (80MH) ile elde edilen ekstraktlarda daha yüksek toplam fenolik içerik verimi sağlandığı sonucuna ulaşılmıştır.
- Farklı kurutma yöntemlerinin toplam fenolik içerik üzerindeki etkisi incelendiğinde kullanılan her iki ekstraksiyon solventi için de konveksiyonel fırın ile kurutulan mısır kabuğu tozlarında diğer kurutma yöntemlerine ve taze mısır kabuğuna kıyasla daha yüksek toplam fenolik içerik verimi olduğu sonucuna ulaşılmıştır.
- Örnek ekstraktlarında DPPH ve ABTS yöntemleri ile antioksidan kapasite düzeyleri araştırılmıştır. Örneklerde ABTS yöntemi ile belirlenen antioksidan kapasite düzeyinin DPPH yöntemine göre daha yüksek olduğu elde edilen sonuçlar arasındadır.
- Çalışmada edinilen sonuçlar atık mısır kabuğunda biyoaktif bileşiklerin varlığını göstermiş ve böylece bitkisel atıkların bu bakımdan alternatif olarak değerlendirilebileceği çıkarımında bulunulmuştur.
- Elde edilen sonuçların literatür bilgi birikimini arttırmaya katkı sağlayacağı ve gelecek çalışmalar açısından faydalı olacağı değerlendirilmektedir.

KAYNAKÇA

- AOAC. (2005). Official Methods of Analysis. 18th edn. Association of Official Analytical Chemists; Arlington, VA, USA.
- Aruoma, O. I. (1998). Free radicals, oxidative stress, and antioxidants in human health and disease. *Journal of the American Oil Chemists' Society*, 75(2), 199-212.

- Brand-Williams, W., Cuvelier, M. E., & Berset, C. (2005). Use of free radical method to evaluate antioxidant activity. *LWT-Food Science and Technology*, 28, 25-30.
- Çoban, S. (2020). Alabaş ile zenginleştirilmiş erişte üretimi. Hamdullah Emin Paşa Üniversitesi Lisansüstü Eğitim Enstitüsü, Gastronomi ve Mutfak Sanatları Anabilim Dalı, Yüksek Lisans Tezi.
- de Carvalho Mendes, C. A., de Oliveira Adnet, F. A., Leite, M. C. A. M., Furtado, C. R. G., & de Sousa, A. M. F. (2015). Chemical, physical, mechanical, thermal and morphological characterization of corn husk residue. *Cellulose Chemistry and Technology*, 49, 727-735.
- Dong, J., Cai, L., Zhu, X., Huang, X., Yin, T., Fang, H., & Ding, Z. (2014). Antioxidant activities and phenolic compounds of cornhusk, corncob and Stigma maydis. *Journal of the Brazilian Chemical Society*, 25, 1956-1964.
- El-Sawi, S. A., Ibrahim, M. E., Bassuiny, R. I., & Merghany, R. M. (2023). Antioxidant, cytotoxic and antimicrobial efficacy of potato peels, taro peels, and husk and silk of corn. *Proceedings of the National Academy of Sciences, India Section B: Biological Sciences*, 1-8.
- Fernandez-Aulis, F., Hernandez-Vazquez, L., Aguilar-Osorio, G., Arrieta-Baez, D., & Navarro-Ocana, A. (2019). Extraction and identification of anthocyanins in corn cob and corn husk from Cacahuacintle maize. *Journal of Food Science*, 84(5), 954-962.
- Galeana-López, J. A., Gómez-Gil, B., Hernández, C., Leyva-López, N., Lizárraga-Velázquez, C. E., & Zenteno-Savín, T. (2021). Use of corn husk meal in the development of a functional diet for Nile tilapia (*Oreochromis niloticus*) fingerlings: Effect on growth performance, antioxidant status and intestinal microbiota. *Waste and Biomass Valorization*, 12, 4355-4365.
- Galeana-López, J. A., Hernández, C., Leyva-López, N., Lizárraga-Velázquez, C. E., Sánchez-Gutiérrez, E. Y., & Basilio Heredia, J. (2020). Corn husk extracts as an antioxidant additive in diets for Nile tilapia (*Oreochromis niloticus*) fingerlings: Effect on growth performance, feed intake and toxicity. *Biotechnia*, 22(2), 147-154.
- Ghasemi, K., Ghasemi, Y., & Ebrahimzadeh, M. A. (2009). Antioxidant activity, phenol and flavonoid contents of 13 citrus species peels and tissues. *Pakistan Journal of Pharmaceutical Sciences*, 22(3), 277-281.
- Guiné, R. P., & Barroca, M. J. (2012). Effect of drying treatments on texture and color of vegetables (pumpkin and green pepper). *Food and Bioproducts Processing*, 90(1), 58-63.
- Gülçin, İ., Huyut, Z., Elmastaş, M., & Aboul-Enein, H. Y. (2010). Radical scavenging and antioxidant activity of tannic acid. *Arabian Journal of Chemistry*, 3(1), 43-53.
- Hao, R., Zhang, H., Feng, Y., Yang, D., Zhao, Z., & Zhao, S. (2022). The effect of different solvents and acidifying reagents on the anthocyanin profiles and antioxidant capacity of purple corn. *Chemical Papers*, 76(8), 4691-4704.
- Hunter, R. S. (1958). Photoelectric color difference meter. *Josa*, 48(12), 985-995.
- Ibrahim, M. I. J., Sapuan, S. M., Zainudin, E. S., & Zuhri, M. Y. M. (2020). Preparation and characterization of cornhusk/sugar palm fiber reinforced Cornstarch-based hybrid composites. *Journal of Materials Research and Technology*, 9(1), 200-211.
- Keskin, M., Setlek, P., & Demir, S. (2017, November). Use of color measurement systems in food science and agriculture. In International Advanced Researches & Engineering Congress (pp. 16-18).
- Khamphan, P., Lomthaisong, K., Harakotr, B., Ketthaisong, D., Scott, M. P., Lertrat, K., & Suriharn, B. (2018). Genotypic variation in anthocyanins, phenolic compounds, and antioxidant activity in cob and husk of purple field corn. *Agronomy*, 8(11), 271.
- Khodja, Y. K., Dahmoune, F., Madani, K., & Khetta, B. (2020). Conventional method and microwave drying kinetics of *Laurus nobilis* leaves: effects on phenolic compounds and antioxidant activity. *Brazilian Journal of Food Technology*, 23.
- Konica Minolta. (2007). Precise color communication. Konica Minolta Photo Sensing Inc., Japan.
- Kraujalyte, V., Venskutonis, P. R., Pukalskas, A., Česonienė, L., & Daubaras, R. (2013). Antioxidant properties and polyphenolic compositions of fruits from different European cranberry bush (*Viburnum opulus* L.) genotypes. *Food Chemistry*, 141(4), 3695-3702.
- Lim, Y. Y., Lim, T. T., & Tee, J. J. (2006). Antioxidant properties of guava fruit: comparison with some local fruits. *Sunway Academic Journal*, 3, 9-20.

- Odabaş, E. (2021). Isil işlem görmüş mercimek ununun glutensiz erişte kalitesi üzerine etkilerinin belirlenmesi. Hitit Üniversitesi Lisansüstü Eğitim Enstitüsü, Gıda Mühendisliği Anabilim Dalı, Yüksek Lisans Tezi.
- Olçay, N., Kömürcü, T. C., & Demir, M. K. (2022). Effects of molokhia (*Corchorus olitorius*) powders obtained by different drying methods on some selected properties of erişte, Turkish noodle. *International Journal of Gastronomy and Food Science*, 28, 100495.
- Pereira, A. L. F., Almeida, F. D. L., Lima, M. A., da Costa, J. M. C., & Rodrigues, S. (2014). Spray-drying of probiotic cashew apple juice. *Food and Bioprocess Technology*, 7, 2492-2499.
- Petreska Stanoeva, J., Balshikevska, E., Stefova, M., Tusevski, O., & Simic, S. G. (2020). Comparison of the effect of acids in solvent mixtures for extraction of phenolic compounds from *Aronia melanocarpa*. *Natural Product Communications*, 15(7), 1934578X20934675.
- Polatçı, H., Taşova, M., & Saraçoğlu, O. (2020). Armut (*Pirus communis* L.) posasının bazı kalite değerleri açısından uygun kurutma sıcaklığının belirlenmesi. *Academic Platform-Journal of Engineering and Science*, 8(3), 540-546.
- Ratna, A. S., Ghosh, A., & Mukhopadhyay, S. (2022). Advances and prospects of corn husk as a sustainable material in composites and other technical applications. *Journal of Cleaner Production*, 133563.
- Re, R., Pellegrini, N., Proteggente, A., Pannala, A., Yang, M., & Rice-Evans, C. (1999). Antioxidant activity applying an improved ABTS radical cation decolorization assay. *Free Radical Biology & Medicine*, 26, 1231-1237.
- Saleem, U., Hussain, K., Ahmad, M., Irfan Bukhari, N., Malik, A., & Ahmad, B. (2014). Physicochemical and phytochemical analysis of *Euphorbia helioscopia* (L.). *Pakistan Journal of Pharmaceutical Sciences*, 27(3).
- Vijayalaxmi, S., Jayalakshmi, S. K., & Sreeramulu, K. (2015). Polyphenols from different agricultural residues: extraction, identification and their antioxidant properties. *Journal Of Food Science and Technology*, 52, 2761-2769.

TURUNÇGİL YETİŞTİRİCİLİĞİNDE MİKORİZA UYGULAMASININ BİTKİ GELİŞİMİNE VE VERİMİNE ETKİLERİ

Tuğba HANEDAN

ORCID ID: 0009-0009-6540-9476

Hatay Mustafa Kemal Üniversitesi, Fen Bilimleri Enstitüsü, Bitki Koruma Anabilim Dalı,
Hatay, Türkiye

ÖZET

Mikoriza, Yunanca da ve rhiza (kök) ve mykes (mantar) kelimelerinin bir araya gelmesi ile oluşan “Kök mantarı” anlamına gelen bir terimdir. Mikoriza ekolojik olarak doğal dengenin korunmasını sağlamasının yanı sıra bitki kökleri ile toprak funguslarının simbiyotik ortak yaşamı şeklinde ifade edilmektedir. Mikorizal mantarlar; bitki kök yüzeyi, hücre ve hücreler arası boşluklara, bitki kökünün korteksine yerleşir ve yerleştikten sonra korteks içine hiflerini salarak iç ortamın bir parçası haline gelmektedir. İçerden dışarıya karbon, dışardan içeriye fosfor salınımı yapmaktadır. Mikoriza, bitki büyümesini teşvik etme, bitki besin elementleri ve su alımını arttırma, kimyasal gübre kullanımını talebini azaltma, patojenlere karşı bitkileri koruma, bitkinin hastalık ve zararlılara karşı direncini, bitkinin kuraklık ve strese karşı savunmasını, meyve oluşumu, yaprak sayısı ve yaprak yüzeyini arttırma, dezenfekte olmuş toprak kirliliğini azaltma gibi birçok özelliğinden dolayı tarıma birçok alanda fayda kazandırmaktadır. Mikoriza sporlarının yapısı, bitkilerdeki infeksiyon şekilleri ile kök içindeki morfolojik ve fizyolojik yapıları itibarıyla taksonomik yönden büyük farklılıklar göstermektedir. Bu taksonomik farklılıklar aynı zamanda bitkilerin beslenme düzeyleri yönünden de farklılık göstermektedir. Kök içindeki morfolojik yapı yönünden genelde ektomikoriza ve endomikoriza olarak iki büyük gruba ayrılmaktadırlar. En geniş gruba sahip olan endomikorizaların en bilineni Vasiküler-Arbüsküler Mikoriza (VAM) ve Arbüsküler Mikorizal mantarlar’dır (AMF). Narenciye grubu içerisinde yer alan turunç, kabalimon, portakal gibi meyve ağaçlarına mikoriza uygulamaları sonucunda mikorizal mantarların fidelerde büyümeyi, fotosentezi, fidelerin soğuğa karşı tolerantını, kök gelişimini, meyve verimini ve kalitesini arttırdığı bildirilmiştir. Ayrıca mikorizal mantarlar besin alımını ve su kullanımını, kök morfolojisini, kök kıllarının büyümesini teşvik ettiği tespit edilmiştir. Yapılan başka bir çalışmada VAM ile infekte edilen turunçgil anaç denemelerinde, fide köklerinin besin maddesi ve su alımının, fide boyunun ve yaprak alan yüzeyinin arttığı tespit edilmiştir. Sonuç olarak mikorizal mantarlar, köklerin su ve besin alım gücünü arttırarak bitki gelişimine olumlu yönde katkı sağlamaktadır. Hastalık, zararlı ve yabancı otlara karşı savunmada kullanılması kimyasal ilaç kullanımını azaltmakta dolayısıyla toprak kirliliğini en aza indirmektedir.

Özellikle son yıllarda küresel ısınma ile birlikte yoğun olarak gündeme gelen kuraklık problemine ciddi anlamda çözüm olabilmektedir.

Anahtar kelimeler: Arbüsküler mikorizal mantarlar (AMF), narenciye, vasiküler-arbusküler Mikoriza (VAM)

THE EFFECTS OF MYCORRIZDA APPLICATION ON PLANT GROWTH AND YIELD IN CITRUS CULTIVATION

ABSTRACT

Mycorrhiza is a Greek term meaning "root fungus" formed by the combination of the words rhiza (root) and mykes (fungus). Mycorrhiza is ecologically expressed as a symbiotic symbiosis of plant roots and soil fungi as well as maintaining the natural balance. Mycorrhizal fungi settle on the plant root surface, in cell and intercellular spaces, in the cortex of the plant root, and after settling, they become part of the internal environment by releasing hyphae into the cortex. It releases carbon from inside to outside and phosphorus from outside to inside. Mycorrhiza brings many benefits to agriculture due to its many properties such as promoting plant growth, increasing plant nutrient and water intake, reducing the demand for chemical fertilizer use, protecting plants against pathogens, plant resistance to diseases and pests, plant defense against drought and stress, fruit formation, increasing the number of leaves and leaf surface, reducing disinfected soil pollution. The structure of mycorrhizal spores shows great taxonomic differences in terms of their infection patterns in plants and their morphological and physiological structures in the root. These taxonomic differences also differ in terms of the nutritional levels of plants. In terms of morphological structure within the root, they are generally divided into two large groups as ectomycorrhiza and endomycorrhiza. Vascular-Arbuscular Mycorrhizae (VAM) and Arbuscular Mycorrhizal Fungi (AMF) are the most widely known endomycorrhizae. It has been reported that mycorrhizal fungi increase seedling growth, photosynthesis, cold tolerance of seedlings, root development, fruit yield and quality as a result of mycorrhizal applications to fruit trees such as citrus, cabalimon and orange. In addition, mycorrhizal fungi were found to promote nutrient uptake and water utilization, root morphology and root hair growth. In another study, in citrus rootstock trials infected with VAM, it was found that nutrient and water uptake of seedling roots, seedling height and leaf surface area increased. In conclusion, mycorrhizal fungi contribute positively to plant development by increasing the water and nutrient uptake of roots. Their use in defense against diseases, pests and weeds reduces the use of chemical pesticides and thus minimizes soil pollution. It can be a serious solution to the problem of drought, which has been on the agenda intensively with global warming in recent years.

Keywords: Arbuscular mycorrhizal fungi (AMF), citrus, vascular-arbuscular mycorrhiza (VAM)

MİKROORGANİZMALARIN TEŞHİSİNDE KULLANILAN HIZLI TANI TEKNİĞİ; MATRİKS YARDIMLI LAZER DESORPSİYON / İYONİZASYON UÇUŞ ZAMANI KÜTLE SPEKTROMETRESİ (MALDI-TOF MS)

Tuğba HANEDAN

Hatay Mustafa Kemal Üniversitesi, Fen Bilimleri Enstitüsü, Bitki Koruma Anabilim Dalı
Hatay, Türkiye

ORCID ID: 0009-0009-6540-9476

Aysun UYSAL

Hatay Mustafa Kemal Üniversitesi Bitki Sağlığı Kliniği Uygulama ve Araştırma Merkezi (BİSAK)
Hatay, Türkiye

ORCID ID: 0000-0002-9067-285X

Şener KURT

Hatay Mustafa Kemal Üniversitesi Bitki Sağlığı Kliniği Uygulama ve Araştırma Merkezi (BİSAK)
Hatay, Türkiye

ORCID ID: 0000-0003-4545-5968

ÖZET

Mikroorganizmalar gıdaların bozulmasına, gıda atıklarının oluşmasına yol açtığı ve ekonomik kayıplara sebep olduğu için gıda endüstrisi ve tüketiciler için önemli bir sorundur. Bununla birlikte diğer endüstriyel alanlarında ve tarımsal ürünlerde de ciddi sorunlara sebep olmaktadır. Bu nedenle fungus, bakteri, maya, virüs gibi mikroorganizmaların araştırılması ve karakterize edilmesi son derece önemlidir. Geleneksel yöntem tanımlamaları kullanılırken karşılaşılan karmaşık durumlarda doğru tanı yapmak oldukça zor bazılarında ise neredeyse imkansızdır. Bu yüzden moleküler teknikleri kullanmak ihtiyaç söz konusudur. Moleküler tekniklerle identifikasyonlar kesin ve doğru tanımlama yapsalar da bu durum hem zaman alıcı hem de oldukça maliyetlidir. Bu nedenle özellikle sağlık açısından düşünüldüğünde mikroorganizmaların hızlı tanınması son derece önem arz etmektedir. Bu yöntemlerden MALDI-TOF MS (Matriks assisted lazer desorption ionization time of flight massspectrometry) mikroorganizmaların tanımlanmasında kullanılan tüm hücre analizini esas alarak mikroorganizmaların protein parmak izine dayanarak hızlı tanımlanması, tiplendirilmesi ve sınıflandırılması alanında umut verici uygulamalara sahip oldukça hızlı, ekonomik, doğru sonuç veren yeni bir sistemdir. Bu yöntemde mikroorganizmalara ait biyomoleküllerin (protein, peptid, şeker) ve büyük organik moleküllerin (polimer, dendrimer, makromolekül) iyonize edildikten sonra elektrik veya manyetik alandan geçirilerek protein profilleri çıkarılmaktadır. Bu profil spektralarına ait grafiksel görüntüler, sistemin veritabanında ki referans mikroorganizmaların uyumuna göre cins ve tür bazında tanımlayabilmektedir. Direkt transfer (DT), genişletilmiş direkt transfer yöntemi ve etanol/formik asit ekstraksiyonu MALDI-TOF MS 'in örnek hazırlama aşamalarında kullanılan metotlar arasında yer almaktadır. Agar ya da sıvı besiyerine ekilmiş kültürlerden hızlı tanımlama yapılmasına imkân veren MALDI-TOF MS yeni gelişmekte olan ve yakın bir gelecekte cihazın yaygınlaşması basit, yüksek hacimli ve fazla

sarf giderlerinin olmaması avantajlarıyla konvansiyonel ve otomatize tanımlama yöntemlerinin yerini alabilecek bir yeni nesil tanı ve teşhis tekniğidir.

Anahtar Kelimeler: Maldı-tof ms, mikroorganizma, hızlı tanı, teşhis

RAPID DIAGNOSIS TECHNIQUE FOR IDENTIFICATION OF MICROORGANISMS; MATRIX ASISTED LASER DESORPTION IONIZATION-TIME OF FLIGHT MASS SPECTROMETRY (MALDI-TOF MS)

ABSTRACT

Microorganisms are a major problem for the food industry and consumers as they cause food spoilage, food waste and economic losses. However, they also cause serious problems in other industrial areas and agricultural products. Therefore, it is extremely important to investigate and characterize microorganisms such as fungi, bacteria, yeasts and viruses. When using traditional method identifications, it is very difficult and in some cases almost impossible to make an accurate diagnosis in complex cases. Therefore, there is a need to use molecular techniques. Although molecular techniques provide precise and accurate identifications, they are time-consuming and costly. Therefore, rapid identification of microorganisms is of utmost importance, especially in terms of health. Among these methods, MALDI-TOF MS (Matrix assisted laser desorption ionization time of flight massspectrometry) is a new system with promising applications in the field of rapid identification, typing and classification of microorganisms based on protein fingerprinting based on whole cell analysis used in the identification of microorganisms. In this method, biomolecules (proteins, peptides, sugars) and large organic molecules (polymers, dendrimers, macromolecules) of microorganisms are ionized and then passed through an electric or magnetic field to produce protein profiles. Graphical images of these profile spectra can be identified to genus and species based on the matching of reference microorganisms in the system's database. Direct transfer (DT), extended direct transfer method and ethanol/formic acid extraction are among the methods used in the sample preparation stages of MALDI-TOF MS. MALDI-TOF MS, which allows rapid identification from cultures inoculated on agar or liquid media, is a new generation diagnostic technique that can replace conventional and automated identification methods with its simple, high-volume and low-consumable advantages.

Keywords: Maldı-tof ms, microorganism, rapid diagnosis, diagnostics

1. GİRİŞ

Mikroorganizmalar tüm ekosistemlerde bulunan, çevresel sürdürülebilirlik ve insani gelişme ile yakından ilişkili ve çeşitli ekolojik işlevleri yerine getirmektedirler. Mikroorganizmaların tanı ve teşhisinde kullanılan mikrobiyolojik yöntemler; geleneksel ve hızlı olmak üzere ikiye ayrılmaktadır. Geleneksel olarak, mikrobiyal tanımlamalar için çeşitli morfolojik, fizyolojik ve biyokimyasal özellikleri kullanılmaktadır. Hızlı yöntemler; farklı tiplerdeki minyatürize

biyokimyasal kitleri, serolojik testler, nükleik asit hibridizasyon kökenli yöntemler (Polimeraz Zincir Reaksiyonları (PCR); small subunit ribosomal RNA gen sekansı, tüm genom sekansı, multilokus sekanz tipi (MLST), amplified fragment length polymorphism (AFLP), and DNA-DNA hibridizasyonu (DDH) şeklindedir. Bu şekilde hızlı tanı yöntemleri; klinik, gıda, tarım ve çevresel örneklerde bulunan bakteri, mantar, virüs ve protozoon gibi mikroorganizmaların, erken tanısı, sayımı ve bakterilerin antibiyotiklere olan duyarlılıklarının belirlenmesinde kullanılmaktadır (Fung, 2006, Aras, 2011). Günümüzde bu şekilde yaklaşımlar, mikroorganizmaların en güvenilir şekilde tanımlanmasını sağlar, ancak zaman alıcı, pahalı hem de modern mikrobiyolojik tekniklerde uzmanlık gerektirir. Az sayıdaki mikroorganizma ile çalışmak hız ve karakterizasyon maliyeti açısından fazla bir öneme sahip olmayabilir, fakat daha fazla sayıda mikroorganizma analiz edilirken bu faktör kayda değer şekilde önem arz etmektedir (Rahi ve ark., 2016). Bu yöntemler içerisinde yüksek duyarlılığa ve özgüllüğe sahip olanlar, ayrıca ucuz ve kısa sürede sonuç veren yöntemler tercih edilmektedir.

Kütle spektrometresinin keşfinden bu yana mikroorganizmalar için, hücre yüzey proteinlerinin profillemesine dayanan çok sayıda tanımlama yöntemi ortaya konmaktadır. Matriks Yardımlı Lazer Desorpsiyon / İyonizasyon Uçuş Zamanı Kütle Spektrometresi (MALDI-TOF MS), tüm hücre analizini esas alarak mikroorganizmaların protein parmak izine dayanarak hızlı tanımlanması, tiplendirilmesi ve sınıflandırılması alanında umut verici uygulamalara sahip en güvenilir araçlardan birisi olarak ortaya çıkmaktadır. Günümüzde, MALDI TOF MS sistemleri, biyolojik araştırma çalışmalarında kullanıldığı gibi, klinik tıpta, biyoteknoloji endüstrisinde, bitki hastalıklarının tanısal uygulamalarında kullanılmaktadır. MALDI-TOF MS tekniği mikrobiyal olarak hızlı, düşük maliyeti, basitliği ve bakteri dahil çok çeşitli mikroorganizmalara uygulanabilirliği açısından son zamanlarda popülerlik kazanmaktadır (Rahi ve ark., 2016).

Klinik mikrobiyoloji laboratuvarlarında mikroorganizmaların rutin tanıda MALDI-TOF MS teknolojisinin kullanımı yeni bir dönemin kapılarını açmaktadır. Geleneksel olarak kullanılan fenotipik tanımlama uzun bir süre gerektirmektedir, otomatize sistemler kullanıldığında bile tanımlama spektrumu kısıtlıdır, mikroorganizmanın gram pozitif/negatif özellikleri, gibi ayrımların önceden belirlenmesi gerekmektedir. Genotipik tanımlama ise, özel bazı mikroorganizmalarla sınırlı kaldığı ve pahalı olduğu için rutin laboratuvar çalışmalarına uygun değildir. "Rutin klinik mikrobiyoloji laboratuvarlarında MALDI-TOF MS teknolojisinin mikroorganizmaların rutin tanı ve teşhisinde kullanılmaya başlanması devrim niteliğinde olmaktadır. Bu metodolojiye göre, mikroorganizmaların protein yapılarının kütle

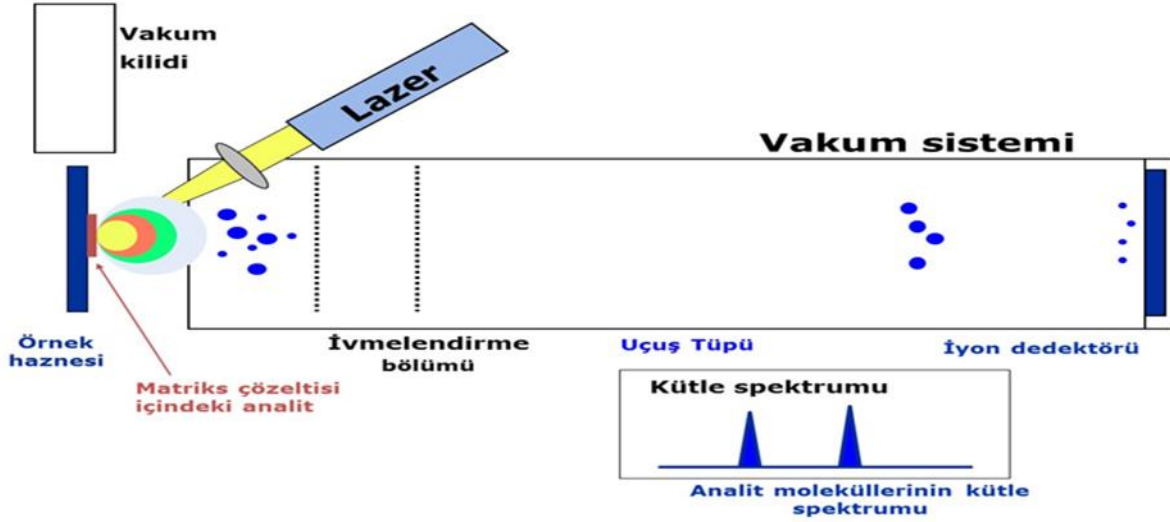
spektrometresinde iyonizasyonu ve ölçülen m/z değerlerine göre elde edilen spektrumların grafiksel görüntülerinin sistemin veri tabanındaki referans organizmaya uyumuna göre mikroorganizmaların cins ve tür tanınması yapılmaktadır (Seng ve ark., 2009).

Bu derleme, MALDI-TOF MS tekniğinin veri tabanlarındaki iyileştirme ve genişletme olanakları ile mikrobiyal olarak, klinik tıp, gıda, biyoteknoloji, tarım ve ekolojik çalışmaların potansiyel uygulamalarında detaylı kullanılması hakkında bilgi sağlamaktadır.

2. ARAŞTIRMA VE BULGULAR

2.1. Matriks Yardımlı Lazer Desorpsiyon / İyonizasyon Uçuş Zamanı Kütle Spektrometresi (MALDI-TOF MS) Tekniği

MALDI-TOF MS mikrobiyal analiz sonuçları, 16S rRNA gen dizisi analizinin sonuçlarına göre hızlı bir oranda ve daha düşük bir maliyetle hızlı ve güvenilir bir tekniktir. Kütle spektrometreleri 3 ana bileşenden meydana gelirler. İlk basamakta katı/sıvı örneğini gaz fazında iyonlaştıran iyon kaynağıdır. Daha sonra oluşturulan iyonlar analizörde kütle/yük oranlarına göre ayrıştırılır ve ayrıştırma prensiplerine dayalı olarak dedektöre ulaşıp tespit edilir. İyonların hareketinin kontrolü için sistem yüksek vakum altında çalışır. Sistemin çıktısı kütle spektrumu olarak adlandırılan kütle/yük oranının iyon şiddetine göre dağılımını gösteren grafikdir. Kütle spektrometreleri kullandıkları iyon kaynağı ve kütle analizörüne göre adlandırılır. MALDI kullandığı iyon kaynağı Matriks Destekli Lazer Desorpsiyon İyonlaşması ve kullandığı analizör time of flight (uçuş zamanlı) olduğundan sistem genel anlamda MALDI TOF olarak adlandırılır (Şekil 1). MALDI TOF MS ile analiz için örnek, matriks adı verilen enerji emici, organik bir bileşik çözeltisi ile karıştırılarak veya kaplanarak hazırlanır. Matriks kuruma sırasında kristalleştiğinde, matriksin içine hapsolmuş olan örnek aynı zamanda kristalleşir. Matriks içindeki örnek, bir lazer ışınıyla otomatikleştirilmiş bir mod ile iyonize edilir. Lazer ışınıyla desorpsiyon ve iyonlaşma, örnekdeki analitlerden tek tek protonlanmış iyonlar üretir. Protonlanmış iyonlar daha sonra sabit bir potansiyelde hızlandırılır, burada bunlar kütle / yük oranı (m / z) temelinde birbirlerinden ayrılırlar. Yüklenen analitler daha sonra dörtlü kütle analiz cihazları, iyon tuzağı analiz cihazları, uçuş süresi (TOF) analiz cihazları gibi farklı kütle analiz cihazları kullanılarak tespit edilir ve ölçülür (Singha ve ark., 2015).



Şekil 1. MALDI-TOF MS' in çalışma prensibinin şematik diyagramı

MALDI-TOF MS örnek hazırlama metotları şu şekilde sıralanabilir:

- Direkt transfer (DT) yöntemi

Bakteri ya da maya kültüründen bir kürdan yardımıyla tek bir koloni seçilir, hedef plakaya aktarılır. Oda sıcaklığında ortalama 3-4 dk kurumaya bırakılır. Kuruyan örnek yüzeyi 1 µL HCCA (α -Cyano-4-hydroxycinnamic acid) matriksi ile kaplanır, tekrar oda sıcaklığında kurutulur ve analiz edilir. Rutin çalışmaların %90-95'inde kullanılır. Fizyolojik olarak aktif, bir gecelik, taze koloniler (cihazın spot başına dedeksiyon limiti: 10⁵ - 10⁶ hücre) kullanılır.

- Genişletilmiş direkt transfer yöntemi

Bakteri ya da maya kültüründen kürdan yardımıyla tek bir koloni seçilir, hedef plakaya aktarılır. Oda sıcaklığında ortalama 3-4 dk kurumaya bırakılır. Kuruyan örneğe 1 µL Formik Asit eklenir, oda sıcaklığında kurutulur. Kuruyan örnek yüzeyi 1 µL HCCA matriksi ile kaplanır, tekrar oda sıcaklığında kurutulur ve analiz edilir. Kalın hücre duvarı nedeniyle direkt taransfer yöntemiyle düzgün olarak ölçülemeyen bakterilerle çalışılırken genişletilmiş direkt transfer yöntemi kullanılabilir. Mayaların kalın hücre duvarını direkt taransfer yöntemiyle parçalamak bazen zorluk yaratabilir. Formik asit, hücrelerin parçalanması sırasında matriksi destekler ve gerekli proteinler matriks tarafından iyonize edilir.

- Etanol/Formik Asit Ekstraksiyonu

Bir ependorf tüpün içine 300 mikrolitre deiyonize su alınır, gözle görülebilecek şekilde koloniyi (5-10 mg) deiyonize suya aktarılır. Pipetle karıştırılarak ve vortexlenir. 900 mikrolitre EtOH

eklenir, karıştırılır. 2 dk maksimum hızda sentrifüj yapılır, dipte kalan peletlere zarar vermeyecek şekilde üst fazı atılır, yeniden santrifüj basamağını tekrarlanır, kalan EtOH'ü pipet yardımıyla atılır, EtOH'ün uçması için 2 – 3 dk peletleri oda sıcaklığında kurumaya bırakılır. Peletlerinizin miktarına göre 1 ila 80 mikrolitre arasında FA (formik asit) eklenir. Eklenen FA ile aynı miktarda ACN (acetonitrile) eklenir. 2 dakika maksimum hızda ssntrifüj yapılır. Üst fazdan 1 µL alınır ve hedef plakaya aktarılır, kurumaya beklenir, kuruyan yüzey 1 µL matriks ile kaplanır. Bu ekstraksiyon yöntemi, genel olarak tanımlaması çok zor mikroorganizmalar için veya yüksek kalitede spektrum elde etmek için kullanılır. Ethanol mikroorganizmaları inaktive eder. Formik asit hücre duvarını parçalar. Asetonitril, formik asiti seyreltir ve suda çözünmeyen mikroorganizmaları çözer.

Günümüzde, matris destekli lazer desorpsiyon / iyonizasyon uçuş süresi (MALDI-TOF) kütle spektrometresi (MS), Mikrobiyolojik çalışmalarda, türler bazında bitki ile ilişkili mantar, bakteri ve mayaların tanımlanmasında güncel tanımlama tekniklerine doğru bir alternatif sunan, hızlı, kullanımı kolay başarılı bir analitik teknik olarak kabul edilmiştir. MALDI-TOF MS tarafından yapılan mikroorganizma analiz prosedürleri teknik olarak basit ve hızlıdır. Ayrıca, geniş bir yelpazedeki önemli mikroorganizmaların tanımlanması için tekrarlanabilir ve ticari veri tabanları mevcuttur. MALDI-TOF MS, doğrudan bozulmamış bakteri, mantar ve mayadan spesifik peptidleri veya proteinleri analiz eder (Kara ve ark. 2017). Matris destekli lazer desorpsiyon / iyonizasyon uçuş süresi (MALDI-TOF) kütle spektrometresi (MS) parmak izi, mikroorganizmaların tanısı ve sınıflandırılmasında, klinik teşhislerdeki uygulamalarda çevresel ve taksanomik araştırma ve gıda sürecindeki kalite kontrolünde kullanılan hızlı, hassas, doğru ve güvenilir bir araç olarak ortaya çıkmıştır. MALDI-TOF MS Biotyper parmak izi sistemi, dakikalar içerisinde bakteri, maya ve fungusların kesin teşhisini kolaylaştırdığı için araştırmacılara büyük olanaklar sağlamaktadır. Bir çok çalışmada incelendiği üzere ticari olarak kullanılan Bruker ve Shimadzu sistemleri ile maya izolatlarının teşhisi, sırasıyla %97.6 ve %96.1 oranlarında benzerlik göstererek başarılı bir tanımlama işlemi gerçekleştirilmiştir (Carolis ve ark., 2014).

Günümüzde ticari MALDI sistemleri Biyolojik araştırma çalışmaları yanı sıra klinik tıp, biyoteknoloji ve endüstride teşhis uygulamaları için erişilebilir durumdadır. Bakteriyel biyotipte kullanılmaktadır, ancak mantarların analizi için çok sayıda deneysel strateji de geliştirilmiştir. *Aspergillus*, *Fusarium*, *Penicillium* ve *Trichoderma* gibi birçok fungus türleri ve ayrıca klinik örneklerinden *Candida albicans* gibi çeşitli mayalar MALDI-TOF MS

tarafından başarıyla tanımlanmıştır. Ancak, şu anda sadece sınırlı sayıda matris bileşiğinin kullanılması rapor edilmiş olsa bile funguslar için çok yönlü bir yöntem yoktur. Biyotropik fungal fitopatojenler, mantar sporları tarafından kontamine olmuş enfekteli bitki organlarından MALDI-TOF kütle spektrumlarının doğrudan elde edilmesi yoluyla tanımlanabilir. Kütle spektrometrik peptid / protein mantarların profilleri 1000 - 20 000 m / z bölgesindeki pikleri gösterir, burada benzersiz bir biyolojik belirteç iyonları olarak görünür ve böylece örneklerin cins, tür veya suş düzeyinde ayırımını sağlar (Chalupová ve ark., 2014).

Mayalar tarafından gıda bozulmaları yüksek ekonomik kayıplara neden olduğundan, gıda ve gıda ile ilgili ürünlerle ilişkili mayaların hızlı ve doğru şekilde tanımlanması gıda endüstrisi için önemlidir. Bu çalışmada, gıda ile ilişkili mayaları tanımlamak için matris lazer desorpsiyon iyonizasyon süresi-uçuş kütle spektrometresi (MALDI-TOF MS) verimi değerlendirilmiştir. Bir MALDI-TOF MS veritabanı oluşturuldu ve daha sonra gıda ve gıda ile ilgili ürünlerden elde edilen 146 maya kültürü analiz edildi. Türlerin %98'i log > 1.7 skor değerleri doğru tanımlanmış, *Mrakia frigida* türü log <1.7 skor değerleri doğru bir kimlik kazanmıştır. İki tür, iki farklı türün bir karışımını temsil ettikleri için ilk anda tanımlanamamıştır. Bu karışık türler *Debaryomyces hansenii* ile *Meyerozyma caribbica* ve *Clavispora lusitaniae* ile *Rhodotorula babjevae*' dir. Ayrıldıktan sonra dört türün tümü log > 1,7 skorla doğru bir şekilde tanımlanabilmiştir. MALDI-TOF MS türlerin çoğunu ayırt edebilmiş, ancak *Kazachstania telluris* ve *Mrakia frigida* gibi bazı tür kompleksleri için MALDI-TOF MS sınırlı bir çözüm göstermiştir. Buna rağmen, MALDI-TOF MS'nin gıda kaynaklı mayaların rutin tanımlanması ve doğrulanması için geçerli olduğunu göstermiştir, ancak referans veritabanlarının daha fazla güncellenmesi gerekmektedir (Quintilla ve ark., 2018).

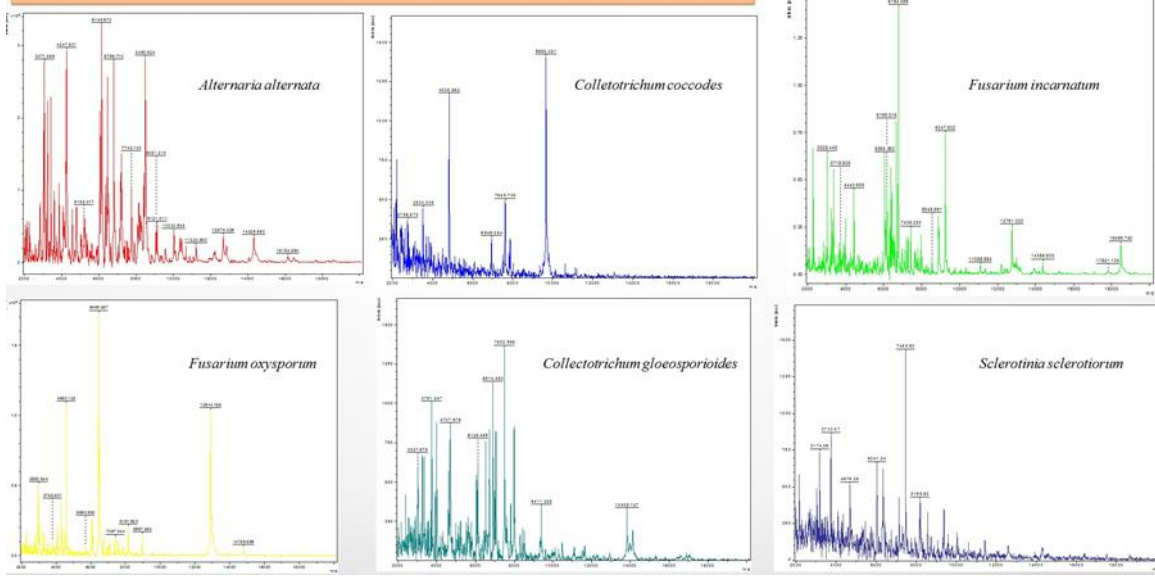
Küflerin tanımlanması için hızlı tek adımlı ekstraksiyon yöntemi ile MALDI-TOF MS kullanımı ile ilgili çalışma yapılmıştır. Farklı oranlarda asetonitril ve formik asit içeren ekstraksiyon çözeltileri değerlendirilmiş, kültürler MALDI-TOF MS için daha sonra bir PowerLyzer yüksek güçlü boncuk esaslı homojenizatör ve süpernatantlar kullanılarak işlenmiştir. 106 klinik küf izolatının analizi, toplamda 30 dakika kadar ekstraksiyon süresinde iyi bir performans ile sonuçlanmıştır. Mevcut rutin protokollerle yapılan analizlerde ancak izolatların % 52.8 yapılıyorken MALDI-TOF MS protokolü ile %63,8 oranına varan tanımlama yapılmıştır. Rutin yöntemle göre hızlı yöntemin skor karşılaştırmaları daha yüksek tekrarlanabilirlik göstermiştir. Hızlı ekstraksiyon yöntemi ile etkin analiz sağlanması sonucu

linik küf analizleri ve planlı toplu işlemlerde MALDI-TOF MS cihazı teşhislerde daha fazla kullanılmaya başlanmıştır (Luethy ve Zelazny, 2018).

Fusarium fujikuroi tür kompleksi içinde ayırıcı tür olarak *Fusarium ficicrescens*'in tanınması, MALDI-TOF MS aracılığıyla ve geleneksel formik asit-etanol ekstraksiyon yöntemi ile analiz edilmiştir. Elde edilen tüm spektrumlar ve analizler, MALDI Biotyper V 2.0 software kullanılarak Bruker Mikroflex platformunda değerlendirilmiştir. Sonuçta cihaz, *Fusarium*' un 3 izolatu 2.193, 2.200 ve 2.226 skoru ile güvenilir bir tanılama yapmıştır. Böylece *Fusarium ficicrescens* ve diğer *Fusarium fujikuroi* türlerinin 13 izolatu, MALDI-TOF MS analizleri ile dendrogramı oluşturulmuştur (Al-Hatmi ve ark., 2016).

Şiddetli klinik hastalıklarına neden olan *Aeromonas* cinsi' nin türlerini *A. hydrophila*, *A. caviae* ve *A. veronii* olarak teşhis etmek için, MALDI-TOF MS, biyokimyasal metod, 16S rRNA ve housekeeping gen sekansı (*gyrB*, *rpoB* genleri) kullanılmıştır. MALDI-TOF MS analizleri için formik asit etanol ekstraksiyon analizi yapıldıktan sonra örnekler cihaza yüklenerek spektrum profilleri alınmış ve cihazın kütüphane spektrumları ile karşılaştırılarak tanınması yapılmıştır. 35 *A. hydrophila* izolatu, 23 *A. caviae* izolatu, 6 *A. veronii* izolatu, 1 *A. aquariorum* izolatu, MALDI-TOF MS ile karşılaştırılarak tanınması yapılmıştır. Sonuç olarak, diğer tanılama metotlarına göre daha hızlı ve güvenilir bulgular elde edilmiştir (Shin ve ark., 2015).

Farklı konukçu bitkilerde hastalık oluşturan fungal patojenlerin MALDI TOF MS tekniği ile spektrum analizleri yapılmıştır. Her bir fungal patojenin spektrum kütle değerleri farklılık göstermiştir. Analize göre, kütle pik değerleri *Fusarium solani* (m/z 3027.311-16595.917), *Fusarium oxysporum* (m/z 2980.844-14789.599) *Fusarium incarnatum* (m/z 3028.445-18496.740), *Alternaria alternata* (m / z 3071.869-16154.864), *Colletotrichum gloeosporioides* (m / z 3027.675-13825.127), *Colletotrichum coccodes* (m/z 2756.573-9668.081), *Sclerotinia sclerotiorum* (m/z 3174.26-8195.62) olarak belirlenmiştir (Şekil1). Bu analizler fungal patojenlerinin cins ve tür düzeyinde spesifik olan karakteristik protein parmak izlerini göstermiştir (Şekil 2; Uysal ve ark., 2018). MALDI TOF MS tekniği ile on farklı *Fusarium* türünün hızlı tanımlanması ve dendrogramları oluşturulmuştur. Bu *Fusarium* türleri, *F.culmorum*, *F.solani*, *F.verticilloides*, *F.dimerum*, *F.incarnatum*, *F.oxysporum*, *F.proliferatum*, *F. moniliforme*, *F. equiseti* ve *F. cerealis*'dir. *Fusarium culmorum* ve *F. cerealis* ile yakından ilgilidir, ancak *F. verticilloides*, *F. proliferatum*, *F.oxysporum* ile filogenik olarak ilişkili olmadığı ortaya konulmuştur (Uysal ve ark. 2018)



Şekil 2. Fungal bitki patojenlerinin MALDI-TOF MS tekniği ile kütle /iyon yükü (m/z) analizleri

SONUÇ

MALDI-TOF MS; agar ya da sıvı besiyerine ekilmiş kültürlerden hızlı tanımlama yapılmasına imkân veren, yeni gelişmekte olan ve yakın bir gelecekte cihazın yaygınlaşması ve sarf giderlerinin fazla olmaması avantajıyla konvansiyonel ve otomatize tanımlama yöntemlerinin yerini alabilecek bir yeni nesil tanı ve teşhis tekniğidir.

KAYNAKLAR

- Al-Hatmi, A.M.S., Mirabolfathy, M., Hagen, F., Normand, A., Stielow, B., Karami-osbo, R., Van Diepeningen, A., Meis, J., De Hoog, G., 2016. DNA barcoding, MALDI-TOF, and AFLP data support *Fusarium ficicrescens* as a distinct species within the *Fusarium fujikuroi* species complex. 120:265-278.
- Aras Z., 2011. Mikrobiyolojide kullanılan hızlı tanı yöntemleri. Türk Hijyen ve Deneysel Biyoloji Dergisi:2011; 68 (2): 97 - 104
- Chalupová, J., Raus, M., Sedlářová, M., Šebela, M., 2014. Identification of fungal microorganisms by MALDI-TOF mass spectrometry. Biotechnology Advances 32 (2014) 230–241.
- Croxatto A, Prod'hom G, Greub Applications of MALDI-TOF mass spectrometry in clinical diagnostic microbiology. FEMS Microbiol Rev. 2012;36(2): 380-407.
- Fungu DY. 2006. Rapid methods and automation in microbiology: 25 years of development and predictions. Bull Tech U Ist, 54 (4): 45-55
- Kara, M., Uysal, A., Soylu, S., Kurt, Ş., Soylu, E.M., 2017. Identification of Plant-Associated Microorganisms Employing MALDI-TOF Mass Spectrometry as a Rapid Detection Technique. 2. International Conference on Agriculture, Forest Food Sciences and Technologies. 15-17.May.2017. Cappadocia/Turkey .
- Luethy, P. M., Zelazny, A.M., 2018. Rapid one-step extraction method for the identification of molds using MALDI-TOF MS. Diagnostic Microbiology and Infectious Disease 91 (2018) 130–135.
- Quintillaa, R., Koleckaa, A., Casaregolad, S., Daniele, H.M., Houbrakena, J., Kostrzewaf, M., Boekhouta, T., Groenewalda M., 2018. MALDI-TOF MS as a tool to identify foodborne yeasts and yeast-like fungi. International Journal of Food Microbiology 266 (2018) 109–118.
- Rahi, P., Prakash O., Shouche Y.S., 2016. Matrix-Assisted Laser Desorption/Ionization Time-of-Flight Mass-Spectrometry (MALDI- TOF MS) Based Microbial Identifications: Challenges and Scopes for Microbial Ecologists. Frontiers Microbiology. 2016 Aug 30;7:1359.

- Seng P., Drancourt M., Gouriet F., La Scola B., Fournier P.E., Rolain J.M., Raoult., 2009. Ongoing Revolution in Bacteriology: Routine Identification of Bacteria by Matrix-Assisted Laser Desorption Ionization Time-of-Flight Mass Spectrometry. *Clinical Infectious Diseases* 2009; 49:543–51.
- D.Shin, H.B., Yoon, J., Lee, Y., Kim M.S., Lee, K., 2015. Comparison of MALDI-TOF MS, Housekeeping gen sequencing and 16S rRNA gen sequencing for identification of *Aeromonas* clinical isolates. *Yonsei University College of Medicine*, 56(2):550-555.
- Singha, N., Kumar, M., Pawan K. Kanaujia, P. K., Viridi, J. S., 2015. MALDI-TOF mass spectrometry: an emerging technology for microbial identification and diagnosis. *Frontiers in Microbiology*. 2015; 6: 791.
- Uysal, A., Kurt, Ş., Soylu, E.M., Kara, M., Soylu, S., 2018. Evaluation of the Matrix-Assisted Laser Desorption/Ionization Time-Of-Flight (MALDI –TOF) Mass Spectrometry for Identification of Some Plant Fungal Pathogenic Species. I.International Agricultural Science Congress. 09-12 May 2018 Van/Turkey
- Uysal, A., Kurt, Ş., Soylu, E.M., Kara, M., Soylu, S., 2018. Cluster Analysis of Plant Pathogen *Fusarium* Species by Maldi-Tof Mass Spectrometry. 1. International Gap Agriculture & Livestock Congress 25-27 April 2018 – Şanlıurfa/TURKEY.
- Wieser A, Schneider L, Jung J, Schubert MALDI-TOF MS in microbiological diagnostics identification of microorganisms and beyond. *Appl Microbiol Biotechnol*. 2012;93(3):965-74.

ANTIOXIDANT POTENTIAL OF HONEY WITH RECENT IN-VITRO STUDIES**Dr. Ebubekir İZOL**

Bingöl University, Bee and Natural Products R&D and P&D Application and Research Center

ORCID ID: 0000-0003-0788-4999**Asst. Prof. Dr. Münire TURHAN**

Bingöl University, Faculty of Agriculture, Vocational School of Food, Agriculture and Livestock

ORCID ID: 0000-0003-3373-1400**ABSTRACT**

Honey is a naturally sweet and healing substance that is obtained by honey bees from the nectar of plants or the secretions of living parts of plants, and as a result of its reaction with its enzymes, it is stored and kept in honeycombs and becomes consumable. It is quite common to consume honey as a source of healing and to use it as an additive in different foods. For this reason, scientists are investigating the effects of honey on diseases. Antioxidants are substances that play an active role in the treatment of many diseases. Antioxidants eliminate free radicals and oxidative stress in the body, preventing tissue and cellular damage and eliminating disease-causing factors. Particularly after it has been determined that synthetic antioxidants are harmful, a lot of research has been carried out to determine natural antioxidant sources. In many studies on honey, it has been determined that honey has antioxidant properties and therefore affects many diseases, especially cancer. However, since honey is a plant-derived food, it has been determined that the flora, geography, climate, and bee species have different effects on antioxidant activity. For this reason, studies are carried out using different in vivo and in vitro methods to determine the antioxidant potential of honey. In this review, honey, antioxidants, treatment with honey, and antioxidant properties of honey were searched in indexes such as Web of Science, PubMed, ResearchGate, and Google Scholar, and the methods and results of current studies were evaluated.

In this review, the antioxidant properties of honey were determined by using in vitro methods (DPPH, ABTS, CUPRAC, Fe³⁺ reduction, FRAP (Fe³⁺-TPTZ), DMPD, metal chelation, β-carotene linoleic acid, etc.). Differences and similarities were revealed along with the reasons.

Keywords: Honey, Antioxidant, Free radical

GÜNCEL IN-VITRO ÇALIŞMALARLA BALIN ANTIOKSİDAN POTANSİYELİ

ÖZET

Bal, bal arıları tarafından bitkilerin nektarından veya bitkilerin canlı kısımlarının salgılarından temin edilerek kendi enzimleri ile reaksiyonu sonucunda, peteklerde depolanıp bekletilen ve tüketilebilir hale gelen doğal tatlı ve şifa kaynağı bir maddedir. Balın şifa kaynağı olarak tüketilmesi ve farklı gıdalarda katkı olarak kullanılması oldukça yaygındır. Bu nedenle bilim insanları balın hastalıklara karşı etkileri araştırmaktadır. Antioksidanlar birçok hastalığın tedavisinde aktif rol alan maddelerdir. Antioksidanlar vücuttaki serbest radikalleri ve oksidatif stresi gidererek doku hasarını ve hücrel zararları önleyerek hastalık yapıcı etmenleri ortadan kaldırmaktadır. Özellikle sentetik antioksidanların zararları olduğu belirlendikten sonra doğal antioksidan kaynaklarını belirlemek için çok fazla araştırma yapılmaktadır. Bal ile ilgili yapılan birçok çalışmada, balın antioksidan özellik gösterdiği ve bu nedenle başta kanser olmak üzere birçok hastalığa etki ettiği belirlenmiştir. Ancak bal bitki kaynaklı bir gıda olduğundan üretildiği bitki florası, coğrafya, iklim ve arı türünün antioksidan aktivitesine farklı etkiler yaptığı belirlenmiştir. Bu nedenle balın antioksidan potansiyelini belirlemek için farklı *in-vivo* ve *in-vitro* yöntemler kullanılarak çalışmaları yapılmaktadır. Bu incelemede bal, antioksidan, bal ile tedavi, balın antioksidan özellikleri kullanılarak Web of Science, PubMed, ResearchGate ve Google Scholar gibi indekslerde arama yapılarak güncel çalışmalardaki yöntemler ve sonuçları değerlendirilmiştir.

Bu derlemede, balın *in-vitro* yöntemler (DPPH, ABTS, CUPRAC, Fe³⁺ indirgeme, FRAP (Fe³⁺-TPTZ), DMPD, Metal şelatlama, β-karoten linoleik asit vb.) kullanılarak antioksidan özelliği güncel yapılan çalışmalar ile belirlenmiştir. Farklılıklar ve benzerlikler nedenleri ile ortaya konmuştur.

Anahtar Kelimeler: Bal, Antioksidan, Serbest radikal

1. INTRODUCTION

Honey is a viscous, usually yellow-colored, sweet food produced by honey bees collecting flower pollen and reacting it with their own enzymes (İzol, 2023a; Turhan and İzol, 2023). Its use dates back to ancient times and is consumed with interest as a source of healing among the people (İzol, 2021). Among the reasons why honey is a source of healing are the important phytochemical compounds it contains (Yapıcı et al, 2023a). These components are indicated among the precursors of the biological activities of honey (İzol, 2023b; Yapıcı et al, 2023b). It has been determined that honey is effective in the treatment of many diseases due to its

biological activities (İzol, 2023c, İzol, 2022). It effects viral diseases with its antiviral effects, bacterial diseases with its antibacterial properties, cancer with its anticancer effect, and many different diseases with its antioxidant properties (İzol et al, 2023; İzol and Bengü, 2022).

Antioxidants remove free radicals in the biological system, eliminate the damages caused by them, and prevent oxidative stress (Yılmaz et al, 2023; İnci et al, 2023; Karageçili et al, 2023a; Karageçili et al, 2023b; İzol et al, 2021b). Antioxidants have been reported to effect the treatment of more than a hundred diseases (Gülçin, 2020). Antioxidants are divided into two classes as natural and synthetic (İzol, 2016; İzol, 2023a). The free radical scavenging mechanism of tocopherol molecule, a natural antioxidant, is shown in Figure 1. Due to the damage caused by synthetic antioxidants, natural antioxidants are being investigated with intense interest (Gülçin and Alwasel, 2023).

For this reason, the antioxidant properties of honey are the subject of many scientific studies. This research includes *in vivo* and *in vitro* studies. In this review, antioxidant studies on honey conducted in recent years are included, and differences and similarities are indicated.

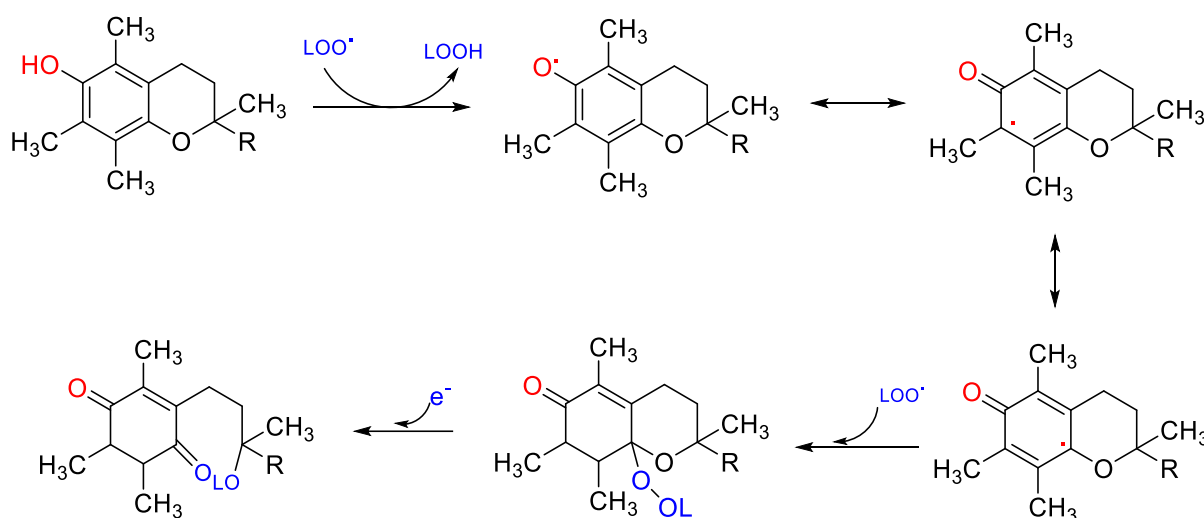


Figure 1. Radical scavenging mechanism of tocopherol (İzol, 2023a).

In vitro antioxidant analysis methods generally applied in honey are as follows:

- FRAP (Fe^{3+} ion reducing antioxidant power)
- CUPRAC (Cu^{2+} reducing antioxidant capacity)
- DPPH $^\bullet$ scavenging activity
- ABTS $^{+\bullet}$ scavenging activity

- DMPD⁺ scavenging activity
- Metal chelation,
- β -carotene linoleic
- Folin-Ciocalteu reducing capacity

2. *IN VITRO* ANTIOXIDANT STUDIES IN HONEY

Since honey is a valuable food consumed by people, studies are being carried out to determine its antioxidant properties. Particularly recently, there has been an intensity in these studies. Since it is known that the antioxidant properties of honey may vary according to different flora and geography, antioxidant properties in different geographies and flora are being investigated (Zawawi et al 2021).

In the study investigating the antioxidant properties of honey produced by stingless bees, DPPH, FRAP, and Folin-Ciocalteu reducing (FCR) methods were applied to eight different honey samples. As a result of the study, the DPPH result was between 28.2-0.8 (mg EAA/100 g), the FRAP result was between 734-67.5 ($\mu\text{mol Fe}^{2+}/100\text{ g}$), and the FCR result was between 57.4-10.4 (mg EAG/100 g). It was stated that geography and plant diversity may be effective among the reasons why honeys show different antioxidant properties (Biluca et al, 2020).

DPPH, total phenolic, and total flavonoid methods were used in six different honey samples in the study in which the antioxidant properties of Manuka honey and Polish honey were compared. DPPH results were found in the range of 41.6-9.9 (mg TE/100 g), total phenolic results 217-133.1 (mg GAE/100 g), and total flavonoid results 121.3-56.8 (mg CAE/100 g). As a result, it was determined that New Zealand origin Manuka honey had higher antioxidant properties than Polish honey (Gośliński et al, 2020).

In the study in which the antioxidant properties of honeys obtained from urban and rural apiaries were determined, DPPH and total phenolic content methods were applied to honeys. Samples from rural land had a total phenolic content eight times higher than urban honey. In addition, the DPPH antioxidant properties of rural honeys were found to be higher than those of urban honeys (Nicewicz et al, 2021).

In the study investigating the antioxidant properties of Romanian honey, DPPH, total phenolic content and flavonoid content were determined. In six different honey samples, DPPH results were 79.5-67.3 (%), total phenolic content results were 23.7-18.9 (mg GAE/100 g) and flavonoid content was 33.5-17.4 (mg QE/100 g) (Pauliuc et al, 2020).

In the study in which the antioxidant properties of sixteen different honey samples were investigated, DPPH, total phenolic content, and total flavonoid content analyses were

performed. As a result of the study conducted in Brazil, DPPH result was between 62.12-8.20 (EC₅₀ mg/mL), total phenolic content result was between 141.73-42.52 (mg GAE/100 g) and flavonoid content was between 20.43-2.24 (mg QE/100 g) (Pena Júnior et al, 2022).

In this study, phenolic and flavonoid content, DPPH, and FRAP methods were applied to investigate the antioxidant properties of one hundred honey samples obtained from different regions of Kosovo. As a result of the study, total phenolic content ranged from 25.76 to 84.17 mg GAE/100 g honey, and total flavonoid content ranged from 1.11 to 7.51 mg CE/100 g honey. FRAP activity ranged from 3.65 to 22.39 mg TE/100 g honey. DPPH activity ranged from 0.73% to 2.61 mg TE/100 g and 22.23 to 66.92%, respectively (Ibrahimi and Hajdari, 2020).

In the study, FRAP, DPPH, and total phenolic assays were applied to determine the antioxidant properties of honey collected from Western Australia. As a result of the study, total phenolic content was determined in the range of 18.91-75.56 (mg GAE/100 g), FRAP in the range of 11.66-3.47 (mmol Fe²⁺/kg) and DPPH in the range of 5.41-1.01 (mmol TE/kg) (Lawag et al, 2023).

In the study, ABTS, DPPH, and β-carotene bleaching tests were applied to determine the antioxidant activity of Saudi Sıdr honey. As a result, the IC₅₀ value in the ABTS method was 5.41 (mg/mL), IC₅₀ value in the DPPH method was 7.7 (mg/mL) and the IC₅₀ value in the β-carotene bleaching test was >20 (mg/mL) (Bazaid et al, 2023).

Total phenolic and total flavonoid content, ABTS, DPPH, FRAP, CUPRAC, and PBD (phosphomolybdenum) methods were applied in the study, in which the antioxidant properties of Saudi Sıdr and Talh honeys were investigated by extraction with different solvents. The total flavonoid content ranged from 0.05–1.17 and 0.18–2.38 mg RE/g, respectively, and the total polyphenolic content of Sıdr honey, Talh honey, and their extracts was 2.86–7.21 and 3.80–17.33 mg GAE/g, respectively (RE: Rutin Equivalents). It was determined in the range of DPPH results 12.08-1.22 (mg TE/g), ABTS results 10.28-2.14 (mg TE/g), CUPRAC results 68.74-11.11 (mg TE/g), FRAP results (mg TE/g) and PBD results 1.09-0.45 (mmol TE/g). (TE: Trolox Equivalents) (Al Qahtani et al, 2022).

Many different scientific studies have been carried out in recent years to reveal the antioxidant properties of honey. In these studies, the antioxidant properties, different biological activities, and chemical contents of honey are also determined (Lakhmili et al, 2024; Bangar et al, 2024; Hameed et al, 2024; Guenaoui et al, 2024; Derewiaka et al, 2024; Shakoori et al, 2024; Stefanis et al, 2023; Taş-Küçükaydın et al, 2023; Saral, 2023; Ouknin et al, 2023; Çayan et al, 2023; Aksoy et al, 2023; Bouali et al, 2022; Gebeyehu, and Jalata, 2023; Damayanti et al, 2024).

3. CONCLUSION

Honey has been consumed as an important food since ancient times. In addition to traditional medical applications, it is also used in modern medical applications. Honey, which attracts the attention of scientists due to its different bioactive components, is studied in many different scientific fields. Antioxidants are important substances used in the treatment of many diseases in humans. There is an intense interest in natural antioxidants, which are divided into two parts: synthetic and natural, due to the damage caused by synthetic ones. For this reason, different research is carried out with in vitro and in vivo methods to determine the antioxidant properties of honey, which is a natural and healing source. In this review, especially with the studies carried out in recent years, the antioxidant properties of honey have been revealed, the methods used have been determined, and comparisons have been made. It was determined that honey showed different antioxidant activities due to different factors.

REFERENCES

- Aksoy, A., Tarhan, D., Yıkıms, S., Ercan, A. M., Altunatmaz, S. S., Aksu, F., & Or, M. E. (2023). Relationships Linking the Element, Bioactive, Hydroxymethylfurfural, Color of Kars Honeys: a Chemometric Approach. *Biological Trace Element Research*, 201(9), 4576-4589.
- Al Qahtani, H. W., Yagi, S., Yılmaz, M. A., Cakır, O., Tarhan, A., Mustafa, A. A., & Zengin, G. (2022). Chemical profile, antioxidant and enzyme inhibition activities of natural Saudi Sidr and Talh honeys. *Chemistry & Biodiversity*, 19(7), e202200227.
- Bangar, U., Doke, R., Patil, P., Gaikwad, S., Gaikwad, S., & Kshirsagar, P. (2024). Study of Physicochemical, Biochemical and Antioxidant Properties of Honey Collected from Barshi and Adjoining Area. *Proceedings of the National Academy of Sciences, India Section B: Biological Sciences*, 94(1), 59-68.
- Bazaid, A. S., Alsolami, A., Patel, M., Khateb, A. M., Aldarhami, A., Snoussi, M., ... & Qanash, H. (2023). Antibiofilm, antimicrobial, anti-quorum sensing, and antioxidant activities of Saudi Sidr Honey: in vitro and molecular docking studies. *Pharmaceutics*, 15(9), 2177.
- Biluca, F. C., da Silva, B., Caon, T., Mohr, E. T. B., Vieira, G. N., Gonzaga, L. V., ... & Costa, A. C. O. (2020). Investigation of phenolic compounds, antioxidant and anti-inflammatory activities in stingless bee honey (Meliponinae). *Food Research International*, 129, 108756.
- Bouali, N., Hamadou, W. S., Badraoui, R., Lajimi, R. H., Hamdi, A., Alreshidi, M., ... & Snoussi, M. (2022). Phytochemical composition, antioxidant, and anticancer activities of Sidr Honey: In vitro and in silico computational investigation. *Life*, 13(1), 35.
- Çayan, F., Tel-Çayan, G., Taş-Küçükaydın, M., Küçükaydın, S., Korkmaz, C., Duru, M. E., & Ceylan, Ö. (2023). A chemometric study on phenolic profiles and biological properties of cotton honeys from Turkey. *European Food Research and Technology*, 249(9), 2241-2252.
- Damayanti, E., Mustofa, M., Nirwati, H., Suputa, S., & Widada, J. (2024, February). The evaluation of antimicrobial, antioxidant, and antiproliferative activity of stingless bee honey (*Heterotrigona itama* and *Tetragonula laeviceps*) as functional food. In *AIP Conference Proceedings* (Vol. 2957, No. 1). AIP Publishing.
- Derewiaka, D., Majewska, E., & Pruszkowska, P. (2024). The Effects of Bee Additives on the Physico-Chemical and Antioxidant Properties of Rapeseed Honey. *Applied Sciences*, 14(3), 1292.
- Gebeyehu, H. R., & Jalata, D. D. (2023). Physicochemical and mineral contents of honey from Fitcha and Addis Ababa districts in Ethiopia. *Food Chemistry Advances*, 2, 100177.
- Gośliński, M., Nowak, D., & Kłębukowska, L. (2020). Antioxidant properties and antimicrobial activity of manuka honey versus Polish honeys. *Journal of food science and technology*, 57, 1269-1277.

- Guenauoui, N., Mouhoubi-Tafinine, Z., Amessis-Ouchemoukh, N., Saimi, M., Saidi, H., Ayad, R., ... & Ouchemoukh, S. Pollen profiles, physico-chemical parameters, in vitro antioxidant and anti-inflammatory activities of honeys and anti-browning effect of honeys on apple. *Mediterranean Journal of Nutrition and Metabolism*, (Preprint), 1-19.
- Gulcin, İ., & Alwasel, S. H. (2023). DPPH radical scavenging assay. *Processes*, 11(8), 2248.
- Gülçin, İ. (2020). Antioxidants and antioxidant methods: an updated overview. *Archives of Toxicology*, 94(3), 651-715.
- Hameed, O. M., Shaker, O. M., Ben Slima, A., & Makni, M. (2024). Biochemical Profiling and Physicochemical and Biological Valorization of Iraqi Honey: A Comprehensive Analysis. *Molecules*, 29(3), 671.
- Ibrahimi, H., & Hajdari, A. (2020). Phenolic and flavonoid content, and antioxidant activity of honey from Kosovo. *Journal of Apicultural Research*, 59(4), 452-457.
- Izol, E., Temel, H., Yilmaz, M. A., Yener, I., Olmez, O. T., Kaplaner, E., ... & Ertas, A. (2021). A detailed chemical and biological investigation of twelve *Allium* species from Eastern Anatolia with chemometric studies. *Chemistry & Biodiversity*, 18(1), e2000560.
- Izol, E. (2016). Determination of Heavy Metals and Secondary Metabolites of some *Allium* (Wild Garlic) Species by ICP-MS and LC-MS/MS Investigation of Their Biological Activities. *Dicle Üniversitesi, Fen Bil. Ens., Kimya ABD, Yüksek Lisans Tezi*.
- İnci, H., İzol, E., Yılmaz, M. A., İlkaya, M., Bingöl, Z., Gülçin, İ. (2023). Comprehensive Chemical Content by LC-MS/MS and Anticholinergic, Antiglaucoma, Antiepilepsy, Antioxidant Activity of *Apilarnil* (Drone Larvae). *Chemistry & Biodiversity*, e202300654.
- İzol, E. (2023a). Bazı Arı Ürünlerinin (Bal, Polen, Propolis, Arı Sütü ve Arı Ekmeği) LC-MS/MS ile Sekonder Metabolitlerinin ve Biyolojik Aktivitelerinin Belirlenmesi. Doktora tezi. Atatürk Üniversitesi Fen Bilimleri Enstitüsü, Erzurum.
- İzol, E. (2023b). "Phytochemicals in Honey and Health Effects", In Honeybees, Plants and Health, ed. Koçyiğit M., İzol E., Haspolat Y.K., *Orient Publications*, 85-96. ISBN: 978-625-6598-03-4.
- İzol, E. (2023c). "The Place of Bee Products in Functional Medicine", In Functional Medicine Part 2, ed. Haspolat Y.K., Atlı A., Aşır F., *Orient Publications*, 11-16. ISBN: 978-625-6893-11-5.
- İzol, E. (2021a). "Yenilikçi Arı Ürünleri ve Biyolojik Önemleri." In Tarım Uygulamalarında Yenilikçi Yaklaşımlar, ed. İnci H., Kökten K., *Iksad Publications*, 77-116.
- İzol, E. (2022). "Arı Ürünlerinin Sağlıklı Beslenmedeki Önemi", In Sağlıklı Yaşam ve Beslenme, ed. Haspolat Y.K., Ertuğrul S., *Orient Publications*, 313-323. ISBN: 978-605-2945-6-2.
- İzol, E. & Bengü, A.Ş. (2022). "Aptterapi ve Klinik Uygulamalar", In Sağlık Bilimlerinde İnovatif Yöntemler, Teoriler ve Uygulamalar, ed. Bengü A.Ş., İzol E., *Iksad International Publishing House*, 1, 21, ISBN: 978-625-8213-40-9.
- İzol, E., Gülçin, İ., Yılmaz, M.A. (2023). "Health Effects of Honey and Honey Sherbet with Spiritual and Scientific Sources", In Functional Foods, ed. Haspolat Y.K., Kavak V., Asena M., *Orient Publications*, 89-95. ISBN: 978-625-6893-99-3.
- Karageçili, H., İzol, E., Kireççi, E. & Gülçin, İ. (2023a). Antioxidant, antidiabetic, antiglaucoma, and anticholinergic effects of Tayfi grape (*Vitis vinifera*): A phytochemical screening by LC-MS/MS analysis. *Open Chemistry*, 21(1), 20230120.
- Karageçili, H., İzol, E., Kirecci, E., Gulcin, I. (2023b). Determination of Antioxidant, Anti-Alzheimer, Antidiabetic, Antiglaucoma and Antimicrobial Effects of Zivzik Pomegranate (*Punicagranatum*) —A Chemical Profiling by LC-MS/MS). *Life*, 13, 735.
- Lakhmili, H., Warda, K., El-Abbassi, A., & Hafidi, A. (2024). Antioxidant and anti-glycation activity of eight Moroccan honeys from different botanical origins. *Discover Food*, 4(1), 6.
- Lawag, I. L., Islam, M. K., Sostaric, T., Lim, L. Y., Hammer, K., & Locher, C. (2023). Antioxidant Activity and Phenolic Compound Identification and Quantification in Western Australian Honeys. *Antioxidants*, 12(1), 189.
- Nicewicz, A. W., Nicewicz, Ł., & Pawłowska, P. (2021). Antioxidant capacity of honey from the urban apiary: A comparison with honey from the rural apiary. *Scientific Reports*, 11(1), 9695.
- Ouknin, M., Yang, Y., Costa, J., & Majidi, L. (2022). An Investigation into Corsican Honey: Chemical Composition and Biological Activities. *Journal of Biologically Active Products from Nature*, 12(6), 474-487.

- Pauliuc, D., Dranca, F., & Oroian, M. (2020). Antioxidant activity, total phenolic content, individual phenolics and physicochemical parameters suitability for Romanian honey authentication. *Foods*, 9(3), 306.
- Pena Júnior, D. S., Almeida, C. A., Santos, M. C. F., Fonseca, P. H. V., Menezes, E. V., de Melo Junior, A. F., ... & Royo, V. D. A. (2022). Antioxidant activities of some monofloral honey types produced across Minas Gerais (Brazil). *Plos one*, 17(1), e0262038.
- Saral, Ö. (2023). An investigation into chestnut honeys from Artvin province in Türkiye: their physicochemical properties, phenolic profiles and antioxidant activities. *Chemistry & Biodiversity*, 20(3), e202201162.
- Shakoori, Z., Salaseh, E., Mehrabian, A. R., Tehrani, D. M., Dardashti, N. F., & Salmanpour, F. (2024). The amount of antioxidants in honey has a strong relationship with the plants selected by honey bees. *Scientific Reports*, 14(1), 351.
- Stefanis, C., Stavropoulou, E., Giorgi, E., Voidarou, C., Constantinidis, T. C., Vrioni, G., & Tsakris, A. (2023). Honey's antioxidant and antimicrobial properties: A bibliometric study. *Antioxidants*, 12(2), 414.
- Taş-Küçükaydın, M., Tel-Çayan, G., Çayan, F., Küçükaydın, S., Çiftçi, B. H., Ceylan, Ö., & Duru, M. E. (2023). Chemometric classification of chestnut honeys from different regions in Turkey based on their phenolic compositions and biological activities. *Food Chemistry*, 415, 135727.
- Turhan, M., İzol, E. (2023). "Healing Honey and Harmful Pesticides", In 2. International Selçuk Scientific Researches Congress Book p:321-328, ISBN: 978-625-367-391-8, October 21-22, Konya, Türkiye
- Yapıcı, İ., İzol, E., Tarhan, A. (2023a). "Significant Bioactive Components in Bee Products", In Bee and Bee Products, ed. İzol E., Koçyiğit M., Haspolat Y.K., *Orient Publications*, 1-15. ISBN: 978-625-6893-29-0.
- Yapıcı, İ., İzol, E., Gülçin, İ. (2023b). "The Role of Enzymes in Honey Quality", In Safety of Bee Products, ed. İzol E., Haspolat Y.K., *Orient Publications*, 1-9. ISBN: 978-625-6893-14-6.
- Yılmaz, M.A., Cakir, O., İzol, E., Tarhan, A., Behçet, L., Zengin, G. (2023). Detailed Phytochemical Evaluation of a Locally Endemic Species (*Campanula baskilensis*) by LC-MS/MS and its In-Depth Antioxidant and Enzyme Inhibitory Activities. *Chemistry&Biodiversity*, e202301182.
- Zawawi, N., Chong, P. J., Mohd Tom, N. N., Saiful Anuar, N. S., Mohammad, S. M., Ismail, N., & Jusoh, A. Z. (2021). Establishing relationship between vitamins, total phenolic and total flavonoid content and antioxidant activities in various honey types. *Molecules*, 26(15), 4399.

VEGETABLE OILS AND BIOACTIVE COMPONENTS USED IN NOSEMA DISEASE

Münire TURHAN*

Bingol University Vocational School of Food, Agriculture and Livestock, Department of Plant and Animal Production, Beekeeping Program, / Beekeeping Research and Application Center
Bingol/Türkiye

ORCID ID: 0000-0003-3373-1400

Ebubekir İZOL

Bingol University Bee and Natural Products, R&D, and P&D Application and Research Center,
Bingol/Türkiye

ORCID ID: 0000-0003-0788-4999

ABSTRACT

Nosema apis and *Nosema cerenae* cause nosemosis in adult honeybees (*Apis mellifera*), and these factors settle in the digestive system of adult bees. Nosemosis most commonly causes significant bee losses to the body and the world. This disease causes disruptions in the system, the average lifespan of bees, the continuation of colonies, honey production, pollen development, and significant winter losses in the colony. Nosemosis can occur together with bacterial, protozoan, and viral diseases, which negatively affect bee colony health, bee products, and production. Various active ingredients have been used in the treatment of nosemosis to date, the most widely used of which is Fumagillin (Trade name: Fumidil-B). However, this active ingredient is banned today because it poses a residue problem in honey. Interest in natural products is increasing in the treatment of this disease, which is a major problem for bees due to the harms of synthetic substances. For this reason, in recent years, studies have been carried out for the treatment of this disease with organic acids, natural plant extracts, and similar substances. In this study, the effectiveness of essential oils obtained from plants, including *Origanum minutiflorum* and *Artemisia absinthium*, and the bioactive components in these oils against nosemosis were examined. As for methodology, searches were made for Nosema, bee diseases, and herbal solutions to Nosema in scientific databases such as PubMed, Web of Science, Research Gate, and Google Scholar. This review aims to reveal the potential of using plants and their essential oils instead of inorganic chemicals against Nosema. Thus, it has been determined that the costs of chemical drugs will be reduced and that bee diseases can be treated with plants that do not have side effects.

Key Words: Nosema, *Nosema apis*, *Nosema Cerenae*, *Apis mellifera*, *Thymol*

NOSEMA HASTALIĞINDA KULLANILAN BİTKİSEL YAĞLAR VE BİYOAKTİF BİLEŞENLER

ÖZET

Nosema apis ve *Nosema cerenae* ergin bal arılarında (*Apis mellifera*) Nosemosis'e neden olur ve bu etkenler ergin arıların sindirim sistemine yerleşir. Nosemosis en yaygın arı hastalıklarından birisidir ve dünya çapında önemli arı kayıplarına neden olur. Bu hastalık sindirim sistemi bozukluklarına, arıların ortalama ömrünün, koloni sayısının, bal üretiminin, polen toplamanın azalmasına ve kolonide önemli kış kayıplarına neden olur. Nosemosis bakteriyel, protozoon ve viral hastalıklarla birlikte seyredebilir, bu durum arı koloni sağlığını, arı ürünlerini ve üretimini olumsuz yönde etkiler. Nosemosis tedavisinde günümüze kadar çeşitli etken maddeler kullanılmış bunlardan en yaygın kullanılanı Fumagillin (Ticari isim: Fumidil-B)'dir. Fakat bu etken madde balda kalıntı sorunu teşkil ettiği için günümüzde yasaklanmıştır. Sentetik maddelerin zararlarından dolayı arılar için büyük bir problem olan bu hastalığın tedavisinde doğal ürünlere olan ilgi artmaktadır. Bu sebepten dolayı son yıllarda organik asit, doğal bitki ekstraktları ve benzeri maddelerle bu hastalığın tedavisi için çalışmalar yapılmaktadır. Bu çalışmada, *Origanum minutiflorum* ve *Artemisia absinthium* gibi bitkilerde dahil olmak üzere genel olarak bitkilerinden elde edilen esansiyel yağların ve bu yağlardaki biyoaktif bileşenlerin Nosemosis'e karşı etkinlikleri incelenmiştir. Metodoloji olarak ise PubMed, Web of Science, Research Gate ve Google Scholar gibi bilimsel veri tabanlarında Nosema, arı hastalıkları ve Nosemaya bitkisel çözümler şeklinde aramalar yapılmıştır.

Bu derlemede, Nosemaya karşı inorganik kimyasalların yerine bitkiler ve onların esansiyel yağlarının kullanım potansiyellerinin ortaya çıkarılması hedeflenmiştir. Böylece kimyasal ilaç masraflarının azalacağı ve yan etkisi olmayan bitkilerle arı hastalıklarının tedavi edilebilme imkanları belirlenmiştir.

Anahtar Kelimeler: Nosema, *Nosema apis*, *Nosema Cerenae*, *Apis mellifera*, *Thymol*

INTRODUCTION

A large number of drugs and similar drugs are used for the control of various diseases in animals. Many chemicals have been used in honey bees against honey bee pests for many years. However, the residues left by these drugs in animal products cause significant negative effects on human health. From this point of view, it is of great importance that there are no drug residues in bee products.

It is an inevitable necessity to provide residue-free and additive-free bee products from hive to table in order to organise a society consisting of healthy individuals. Although thymol and similar non-chemical substances have been used in the treatment of nose mosis so far, the necessary dosage, combination, effect, interaction, and composition studies have not been carried out. Nanoparticle Ozone and its combinations with *Artemisia absinthium* and Thymol have been used against nose mosis in adult honey bees. In the studies carried out to date, the effectiveness of essential oils and organic acids against nose mosis has been determined. However, the amount and concentration ratios of these non-chemicals used against nose mosis and the mixtures they form with each other need to be standardised.

Honey bees reproduce with eggs. They have a holometabolic life cycle. Their life cycle is in four stages: egg-larva-pupa-mature. Colony individuals are morphologically separated from each other as male-female-worker bees. Although the development periods of the individuals are similar, the duration of the development periods is different (Girişgin and Doğanay, 2017).

The most important task of honey bees in nature is pollination. In addition to pollination, bee products, especially honey, pollen, propolis, royal jelly, bee venom, and apilarnil, are used as alternative medical methods in the treatment of some diseases as well as nutrients (İzol, 2023a; İzol, 2023b; İzol 2023c; Turhan and İzol, 2023; İzol, 2022, İzol 2021; İzol and Bengu, 2022; İzol et al, 2023). These methods originated in the Far East. In the last two decades, it has gradually developed and become widespread in other countries. According to the 2013 statistics of the Food and Agriculture Organization of the United Nations (FAO), there are approximately 81 million honey bee colonies worldwide. The largest number of colonies is in Asia (44.1%), followed by Europe (20.8%), Africa (20.6%), America (13.6%) and Oceania (0.9%) (Doğanay, 2017b).

While the average honey yield per hive in European beekeeping regions is around 17 kg, the average honey yield per hive in Türkiye is 14–16 kg. This amount is below the world average. These figures show that beekeeping in Türkiye does not yield enough honey production per hive. Increasing honey production per hive in Türkiye to the world average (20.5 kg) would mean that total honey production would reach 150 thousand metric tons. Since Türkiye has a favourable geography for beekeeping, it ranks second in the world in terms of the number of hives. Despite having so many colonies, it is below the world average in honey yield and ranks 13th in the world. In our country, it is necessary to take measures to increase honey yield per colony. At this point, there are some criteria to be emphasised. These are: ensuring that the

honey produced has the quality and qualities that can be exported; giving more importance to branding, marketing, advertising, and promotion activities. Accordingly, Türkiye will be at the top level in honey exports, and thus an important input source will be created for our country (Doğanay, 2017b).

The climatic conditions of our country are very suitable for beekeeping activities, so beekeeping activities have been carried out intensively in this geography from the past to the present. In the past, there were various laws and regulations related to beekeeping. For example, in the tablets from the Hittite period, one beehive was accepted as equal to one female ovine, and 1 kg of honey was accepted as equal to 1 kg of butter. Beekeeping has always been a prominent occupation in the Byzantine and Ottoman periods, and various records from these periods have survived to the present day (Akkaya and Alkan, 2007; Crane and Graham, 1985; Yılmaz, 2011). The origin of 20 percent of the honeybee races in the world is Anatolia. One of the oldest apiaries in the world was found during excavations in Tel-Rahov, Israel. It was determined that *Apis mellifera anatolica* was used in this apiary. There are a wide variety of honey bee races (*A.m. causica*, *A.m. anatolica*, *A.m. carniaca*, *A.m. meda*, and *A.m. syriaca*) in our country. Due to its geographical location, our country has climate, fauna and plant diversity suitable for itinerant beekeeping. Depending on this plant diversity, 6 different types of plant-derived honey (pine, flower, chestnut, chaste, acacia, citrus, thyme, gamboge, etc.) can be obtained. Anzer honey, which has a worldwide reputation, is also obtained in a special fauna in the geography of our country (Silici, Sagdic and Ekici, 2010; Yılmaz and Canlı, 2012).

Nosema

Bee diseases and pests are intensively observed in our country. Traveling beekeeping, which is not carried out under state supervision, causes bee diseases and pests to spread rapidly among bee colonies, especially in the Aegean and Mediterranean basins, which are the wintering regions of our country. The unlicensed drugs used against these pests and the residue problem resulting from the use of these drugs are the main and most important problems in the beekeeping sector in our country (Aydın, 2010; Güneş, Çıbık, Güneş and Aydın, 2008). There are approximately 119 agents that cause disease in bees. These disease agents are fungi (*N. apis*, *N. ceranae*, *Apergillus* spp., *Ascospheera* spp.), amoeba (*Malpighomoeba mellificae*), gregarines, flagellata (*Leptomonas apis*, *Crithidia mellificae*), helminth nematodes (*Mermins albicans*, *Parachordodes tolosanus*, *Agamomermis* sp., *Neoplectana carpocapsae*), and arthropods (insecta and mite classes) (Aydın, 2010; Giray ve diğerleri, 2007). In 2006, among

the main causes of colony collapse disorder (CCD), bee pests such as varroosis, noseiosis, trachea mites, etc. observed in honey bees were shown (Giray et al, 2007). In recent years, the problem of residue in honey has been observed due to the use of antibiotics in honey bees, accordingly, the use of antibiotics in the treatment of honey bees has been banned by the European Union. Therefore, intensive studies are carried out on diseases other than bacterial diseases in bees and the drugs used against them (Güneş et al, 2008; Turhan and İzol, 2023). These disease agents are biological or mechanical vectors of secondary agents (bacteria, viruses) besides their own damages. Therefore, honey bee disease agents should be well identified, and the correct control programme should be established and maintained against these disease agents.

When controlling diseases and pests, the main objective is to eliminate the disease agents and avoid the problem of drug residues in honey (Aydın, 2010).

Ways of Nosema Transmission

Noseiosis is one of the most common bee diseases and causes significant bee losses worldwide. Directly, the disease causes digestive system disorders, a reduced life expectancy for bees, and reduced colony numbers. Indirectly, it causes reduced honey production, reduced pollen collection, and significant winter losses in the colony. Noseiosis can be associated with bacterial, viral, and protozoal diseases. This adversely affects bee colony health, bee products and production (Özüçli and Aydın, 2018). The transmission of noseiosis in honey bee colonies is via the fecal-oral route. The spore form of the disease plays a role in transmission. Transmission is by oral route and trophallaxis (food sharing) from combs and nectar sources contaminated with spores in faeces to healthy bees. Spores and DNA of both species have been found in drone sperm, but there is no vertical transmission. Noseiosis causes infection in adult honey bees and infects epithelial cells in the ventricles of the midgut (Girişgin, 2017; Özüçli and Aydın, 2018). In recent studies, it has been determined that the spores of *N.ceranae* and *N.apis* are taken by bee birds (*Merops philippinus*) by eating worker bees and that these birds may be a potential carrier with their faeces (Valera ve diğerleri, 2017). A number of disease factors that negatively affect colony health and continuity are observed in honey bees. CCD, which has emerged in recent years and whose cause has not yet been fully identified, can be caused by many factors (Cox-Foster et al, 2007). The most important of these factors are *N. apis* and *N. ceranae*, which cause noseiosis (Chaimanee, Warrit ve Chantawannakul, 2010; Paxton, 2010). In recent years, serious increases have been observed in the deaths of bee

populations worldwide due to viral, fungal, and parasitic diseases, pesticide poisoning, unidirectional agriculture, and pollen scarcity. One of the most important reasons for the increase in mortality rates is colony collapse disorder. This disease causes the colony to leave the hive abruptly and has not yet been fully characterised (Higes ve diğeri, 2008a).

Nosema Treatment Methods

Fumidil B has been used for many years in the treatment of nosema disease. This drug, which was effective on *Nosema apis* for many years, was banned because it was not very effective on *Nosema ceranae* spores and left residue in honey. Synthetically produced drugs adversely affect bee and human health. For this reason, the use of herbal and organic acids that will have a permanent effect on the disease and will not harm bee or human health has become widespread. In many studies, successful results have been obtained in the fight against the disease.

In a study conducted with essential oils or essential fatty acids of plants in the treatment of nosema, Thymol + Artemisia (oral): 250 ml of 2% Thymol, 200 ml of 2% A. absinthium, + 550 ml of sugar syrup were found to be effective against nosemosis (Özüiçli and Aydın, 2020).

In a study, the amount of effect of p. grass, terpinolen, terpinenol, terpinen 4-ol, and α - terpineol, which are essential oils in thyme oil, was found to be high (Table 1.) (Şarer et al, 1996). It has also been determined that thyme plant and oil are good for many different diseases (Yapıcı and İzol, 2023).

Table1. Some components and amounts found in thyme oil

Compounds	Amount (%)
α - terpinene	0.078
p-cimen	1.254
terpinolen	1.24
eucalyptol	0.508
linalool	0.063
Y- terpinene	0.614
Terpinen-4-ol	1.150
α -terpineol	1.100

(Şarer et al, 1996).

DISCUSSION

Due to the inadequacy and harmful effects of inorganic drugs used in bee diseases, natural solutions are being investigated. Plants are considered the first solution method in this sense. Especially the bioactive components contained in plants show many biological activities in living organisms. The most important of these activities are antioxidant, antibacterial, antiviral, and antifungal (İzol et al, 2021; Bursal et al, 2021; İnci et al, 2023; Gulsoy et al, 2022; Karageçili et al, 2023a; Karageçili et al, 2023b; Yılmaz et al, 2023).

Nosemosis is a fungal disease that causes sudden hive losses in adult bees and spreads over a wide geographical area in our country and around the world. Nosemosis in adult honey bees is reported in apiaries located in geographies other than arid deserts (Özüiçli and Aydın, 2018). In the world and in Türkiye, it is reported more in regions with humid climates than in other regions and at different rates depending on ecology and cultivation conditions (Aydın, 1994; Aydın et al, 2005; Doğanay, 1997; Higes et al, 2005; Higes et al, 2006; Higes et al, 2008a;

Neumann and Carreck, 2010; VanEngelsdorp et al, 2011; VanEngelsdorp et al, 2012; Zeybek, 1991).

In studies carried out in our country, nosemosis was reported at a rate of 26% in Bursa region (Aydın et al., 2001), 15.74% in Kars region (Topçu and Aslan, 2004), 8.7% in Elazığ region (Şimşek, 2005), 100% in Muğla region (Şimşek, 2007), 26.16% in Bingöl region (Gül and Kutlu, 2009), 6.5% in Thrace region (Doğaroğlu and Sıralı, 2005), 10% in Hatay region (Muz et al., 2012).

Nosemosis has also been detected in adult honey bees in studies conducted outside our country. As a result of the studies conducted in Bulgaria, 396 hives were sampled in 94 apiaries, 42 of these samples were microscopically positive, 47 of these samples were positive for *N. ceranae* by PCR method and two samples were positive for *N. apis*. (Gurgulova et al, 2010).

In a study conducted in Greece, 27 out of 37 apiaries were found positive for *N. ceranae* (Bacandritsos et al, 2010).

In a study conducted in Spain, it was reported that contamination of honey samples with *N. ceranae* spores continued to increase from 1988 to 2011 (Botias et al, 2012).

Nosemosis was detected in 72 out of 294 apiaries in north-western Iran (Lotfi et al, 2009).

In the Netherlands, it was reported that 10% of colonies infected with *Nosema* were *N. apis* and 87% were *N. ceranae* (Van der Steen et al, 2010).

In Austria, 59 out of 126 apiaries were positive for *Nosema*, of which 30% were positive for *N. ceranae*, 10% for *N. apis*, and 60% were recorded as mixed infections (Derakhshifar et al, 2010).

In Italy, 136 out of 234 apiaries were found positive for *N. ceranae* and one positive for *N. apis* (Granato et al, 2010).

Nosemosis is a very common fungal disease observed in adult honey bees, both in our country and worldwide. Fumagillin (dicyclohexilamine), a natural mycotoxin obtained from the *Aspergillus fumigatus* fungus used in the treatment of nosemosis, is highly effective against the active forms of *nosema* but not against the spore form.

In the studies carried out, fumagillin production was stopped because *N. ceranae* started to develop resistance to fumagillin, it is an antibiotic derivative, fumagillin cannot suppress spore reproduction in some cases and it shows variable effect (Huang et al, 2013; Williams et al, 2011).

COCLUSION

Today, herbal medicines or feed additives are used in the treatment of nosemosis. Among the herbal active ingredients, thymol, garlic extract, mint extract, and turnip extract can be used in commercial or handmade preparations. Particularly, thymol is more preferred due to its inhibitory effect on the development of pathogenic microorganisms in the intestines, leaving no residue in honey and not harming the bee (Costa et al, 2009; Wiese et al, 2018). In addition to these substances, oxalic acid (Nanetti, Rodrigez-Garcia, Meana, Martin-Hernandez, and Higes, 2015) and chitosan found in shellfish (Saltykova et al, 2018) were also reported to significantly reduce the number of spores.

REFERENCES

- Akkaya, H. ve Alkan, S. (2007). Beekeeping in Anatolia from the Hittites to the present day. *Journal of Apicultural Research*, 46 (2): 120-124. <https://doi.org/10.1080/00218839.2007.11101378>.
- Aydın, L. (1994). Nosemiasis. *Türkiye Parazitoloji Dergisi*, 18 (2): 224-228.
- Aydın, L. (2010). The status of honey bee parasites and predators in Turkey and against control methods. *International 2. Muğla Beekeeping and Pine Honey Congress*. 5-8 October. Muğla-Turkey.
- Aydın, L., Cakmak, İ., Gulegen, E. ve Wells, H. (2005). Honeybee Nosema disease in the Republic of Turkey. *Journal of Apiculture Research*, 44 (4): 196-197.
- Aydın, L., Gulegen, A.E. ve Cetinbaş, H. (2001). Prevalence of Nosema apis in Southern Marmara Region in Turkey. *Proc. 37th Int. Apic. Congr.* 28 Oct-1 Nov Durban-South Africa.
- Bacandritsos, N., Granato, A., Budge, G., Papanastasiou, I., Roinitoy, E., Caldon, M., ... Mutinelli, F. (2010). Sudden deaths and colony population decline in Greek honey bee colonies. *Journal of Invertebrate Pathology*, 105: 335-340. <https://www.sciencedirect.com/science/article/pii/S0022201110001990>.
- Botias, C., Martin-Hernandez, R., Garrido-Bailon, E., Gonzales-Porto, A., Martinez- Salvador, A., De La Rua, P., ... Higes, M. (2012). The growing prevalence of Nosema ceranae in honey bees in Spain, an emerging problem for the last decade. *Research in Veterinary Science*, 93: 150-155. <https://doi.org/10.1016/j.rvsc.2011.08.002>.
- Bursal, E., Yılmaz, M. A., İzol, E., Türkan, F., Atalar, M. N., Murahari, M., ... & Ahmad, M. (2021). Enzyme inhibitory function and phytochemical profile of *Inula discoidea* using in vitro and in silico methods. *Biophysical Chemistry*, 277, 106629.
- Chaimanee, V., Warrit, N. & Chantawannakul, P. (2010). Infections of Nosema ceranae in four different honeybee species. *Journal of Invertebrate Pathology*, 105(2): 201-210. <https://doi.org/10.1016/j.jip.2010.06.005>.
- Costa, C., Lodesani, M. & Maistrello, L. (2009). Effect of thymol and resveratrol administered with candy or syrup on the development of Nosema ceranae and the longevity of honeybees (*Apis mellifera* L.) in laboratory conditions. *Apidologie*, 41: 141-150. <https://doi.org/10.1051/apido/2009070>.
- Cox-Foster, D.L., Conlan, S., Holmes, E.C., Palacios, G., Evans, J.D., Moran, N.A., ... Lipkin, W.L. (2007). A metagenic survey of microbes in honey bee colony collapse disorder. *Science*, 318 (5848): 283-287. <https://doi.org/10.1126/science.1146498>
- Crane, E. & Graham, A.J. (1985). Beehives of the ancient world. *Bee World*, 66: 23- 8. <https://doi.org/10.1080/0005772X.1985.11098846>.
- Derakhshifar, I., Köglberger, H., Oberlerchner, J. & Moosbeckhofer, R. (2010). Incidence of Nosema spp. and colony performance in Austria 2006-2008. COST Action, FA0803-Prevention of honeybee Colony Losses. Nosema disease: lack of knowledge and work standardization. http://www.uco.es/apicultura/trabajos_libros/Nosema_Workshop_Proceedings.pdf.
- Doğanay, A. (1997). Türkiye’de arılarda görülen bazı önemli hastalıklar. *Türk Veteriner Hekimler Dergisi*, 8 (6): 49-51.

- Doğanay, A. (2017b). Günümüzde arıcılık. İçinde A. Doğanay & L. Aydın (Eds.) Bal arısı, yetiştiriciliği, ürünleri, hastalıkları 1. Baskı, Dora Basım-Yayın Dağıtım Ltd. Şti. Bursa, (s. 44-57).
- Doğaroğlu, M. ve Sıralı, R. (2005). Survey results on honeybee pests and disease in the Thracian Region of Turkey. *Uludağ Bee Journal*, 5: 71-78. <https://www.researchgate.net/publication/311901418>.
- Giray, T., Çakmak, İ., Aydın, L., Kandemir, İ., İnci, A., Oskay, D., ... Kence, A. (2007). Preliminary survey results on 2006-2007 "Colony losses in Turkey. *Uludağ Bee Journal*, 7: 102-108. <https://dergipark.org.tr/tr/download/article-file/143525>.
- Girişgin, A.O., Doğanay, A. (2017). Bal arısının taksonomisi, vücut yapısı ve biyolojisi. İçinde A. Doğanay & L. Aydın (Eds.), Bal arısı, yetiştiriciliği, ürünleri, hastalıkları, 1. Baskı, Dora Basım-Yayın Dağıtım Ltd. Şti. Bursa, (s.99-120).
- Granato, A., Caldon, M., Falcaro, C. & Mutinelli, F. (2010). Presence of *Nosema apis* and *Nosema ceranae* in Italian apiaries. COST Action, FA0803-Prevention of honeybee colony losses. *Nosema disease: lack of knowledge and workstandardization*. http://www.uco.es/apicultura/trabajos_libros/Nosema_Workshop_Proceedings.pdf.
- Gurgulova, K., Valchovski, R. & Petrov, P. (2010) Distribution of *Nosema apis* and *Nosema ceranae* In Bulgaria. Diagnostic in honeybees. From sampling to data analyses. Beedoc-Cost Action, Ghent University. Belgium.
- Gulsoy, E., Tarhan, A., İzol, E., Dogru Cokran, B., Simsek, M. (2022). A research on chemical, mineral and fatty acid compositions of two almond cultivars grown as organic and conventional in South eastern Turkey. *Grasas y Aceites*, 73 (3), e477.
- Gül, A. Kutlu, M.A. (2009). Bingöl ili ve ilçelerinde görülen bal arısı hastalık ve zararlıların belirlenmesi üzerine bir çalışma. 3. Bingöl Sempozyumu, Bingöl.
- Güneş, N., Çıbık, R., Güneş, M.E. & Aydın, L. (2008). Erythromycin residue in honey from the Southern Marmara region of Turkey. *Food Additives and Contaminants: Part A*. 25: 11. 1313-1317. <https://doi.org/10.1080/02652030802233472>.
- Higes, M., Martin-Hernandez, R., Botias, C., Garrido-Bailon, E., Gonzales-Porto, A.V., Barrios, L., ... Meana A. (2008a). How natural infection by *Nosema ceranae* causes honeybee colony collapse. *Environmental Microbiology*, 10 (10): 2659-69. <https://doi.org/10.1111/j.1462-2920.2008.01687.x>.
- Higes, M., Martin-Hernandez, R. & Meana, A. (2006). *Nosema ceranae*, a new microsporidian parasite in honeybees in Europe. *Journal of Invertebrate Pathology*, 92(2): 93-95. <https://doi.org/10.1016/j.jip.2006.02.005>.
- Higes, M., Sanz, A., Manes, A.M., Martin, R., Garcia, P., Alvarez, N. & Sanz, A. (2005). El síndrome dedesplamiento de las colmenas en Espena. Consideraciones sobre su origen. "Depopulation of hive sendrome in Spain. Considerations of its origin. *Beekeeping Life*". *Vida Apicola*, 133: 15-21. <https://dialnet.unirioja.es/servlet/articulo?codigo=1299202>.
- Huang, W.F., Solter, L.F., Yau, P.M. & Imai, B.S. (2013). *Nosema ceranae* escapes fumagillin control in honeybees. *PLoS Pathology*, 9(3): e1003185. <https://doi.org/10.1371/journal.ppat.1003185>.
- İzol, E., Temel, H., Yılmaz, M. A., Yener, I., Olmez, O. T., Kaplaner, E., ... & Ertas, A. (2021). A detailed chemical and biological investigation of twelve *Allium* species from Eastern Anatolia with chemometric studies. *Chemistry&Biodiversity*, 18(1), e2000560.
- İnci, H., İzol, E., Yılmaz, M. A., İlkaya, M., Bingöl, Z., Gülçin, İ. (2023). Comprehensive Chemical Content by LC-MS/MS and Anticholinergic, Antiglaucoma, Antiepilepsy, Antioxidant Activity of *Apilarnil* (Drone Larvae). *Chemistry&Biodiversity*, e202300654.
- İzol, E. (2023a). Bazı Arı Ürünlerinin (Bal, Polen, Propolis, Arı Sütü ve Arı Ekmeği) LC-MS/MS ile Sekonder Metabolitlerinin ve Biyolojik Aktivitelerinin Belirlenmesi. Doktora tezi. Atatürk Üniversitesi Fen Bilimleri Enstitüsü, Erzurum.
- İzol, E. (2023b). "Phytochemicals in Honey and Health Effects", In *Honeybees, Plants and Health*, ed. Koçyiğit M., İzol E., Haspolat Y.K., *Orient Publications*, 85-96. ISBN: 978-625-6598-03-4.
- İzol, E. (2023c). "The Place of Bee Products in Functional Medicine", In *Functional Medicine Part 2*, ed. Haspolat Y.K., Atlı A., Aşır F., *Orient Publications*, 11-16. ISBN: 978-625-6893-11-5.
- İzol, E., Gülçin, İ., Yılmaz, M.A. (2023). "Health Effects of Honey and Honey Sherbet with Spiritual and Scientific Sources", In *Functional Foods*, ed. Haspolat Y.K., Kavak V., Asena M., *Orient Publications*, 89-95. ISBN: 978-625-6893-99-3.

- İzol, E. (2021a). “Yenilikçi Arı Ürünleri ve Biyolojik Önemleri.” In Tarım Uygulamalarında Yenilikçi Yaklaşımlar, ed. İnci H., Kökten K., *Iksad Publications*, 77–116.
- İzol, E. (2022). “Arı Ürünlerinin Sağlıklı Beslenmedeki Önemi”, In Sağlıklı Yaşam ve Beslenme, ed. Haspolat Y.K., Ertuğrul S., *Orient Publications*, 313-323. ISBN:978-605-2945-6-2.
- İzol, E. & Bengü, A.Ş. (2022). “Apiterapi ve Klinik Uygulamalar”, In Sağlık Bilimlerinde İnovatif Yöntemler, Teoriler ve Uygulamalar, ed. Bengü A.Ş., İzol E., *Iksad International Publishing House*, 1, 21, ISBN:978-625-8213-40-9.
- Karageçili, H., İzol, E., Kireççi, E. & Gülçin, İ. (2023a). Antioxidant, antidiabetic, antiglaucoma, and anticholinergic effects of Tayfi grape (*Vitis vinifera*): A phytochemical screening by LC-MS/MS analysis. *Open Chemistry*, 21(1), 20230120.
- Karageçili, H., İzol, E., Kirecci, E., Gulcin, I. (2023b). Determination of Antioxidant, Anti-Alzheimer, Antidiabetic, Antiglaucoma and Antimicrobial Effects of Zivzik Pomegranate (*Punicagranatum*) —A Chemical Profiling by LC-MS/MS). *Life*, 13, 735.
- Lotfi, A., Jamshidi, R., Shahryar, H.A. & Yousefkhani, M. (2009). The prevalence of Nosemosis in honey bee colonies in Arasbaran Region Iran. *American-Eurasian Journal of Agricultural & Environmental Science*, 5: 255-257. <https://www.researchgate.net/publication/228085089>.
- Muz, M.N., Solmaz, H., Yaman, M. & Karakavuk, M. (2012). Kış salkımı erken bozulan arı kolonilerinde paraziter ve bakteriyel patojenler. *Yüzüncü Yıl Üniversitesi Veteriner Fakültesi Dergisi*, 23 (3): 147-150. <https://dergipark.org.tr/en/pub/yyuvfd/issue/13728/166135>.
- Nanetti, A., Rodrigez-Garcia, C., Meana, A., Martin-Hernandez, R. & Higes, M. (2015) Effect of oxalic acid on *Nosema ceranae* infection. *Research in Veterinary Science*, 102. 167-172. <https://doi.org/10.1016/j.rvsc.2015.08.003>.
- Neumann, P. & Carreck, N.L. (2010). Honey bee colony losses. *Journal of Apicultural Research*, 49 (1) 1-6. <https://doi.org/10.3896/IBRA.1.49.1.01>
- Özüüçli, M. ve Aydın, L.(2020). Ergin Bal arılarında *Nosema Ceranae* Enfeksiyonlarına Karşı Ozon ve Bitkisel orjinli Esansiyel Yağlar (Thymol) ile *Artemisia Absinthium* Ekstraktının Etkinliklerinin Araştırılması. Bursa Uludağ Üniversitesi Sağlık Bilimleri Enstitüsü Veteriner Parazitoloji Anabilimdalı Doktora Tezi.
- Özüüçli, M. ve Aydın, L. (2018). Türkiye bal arılarında ciddi tehlike; Nosemosis. *Journal of Research in Veterinary Medicine*, (2), 35-40. DOI:10.30782/uluvfd.419001.
- Paxton, R. (2010). Does infection by *Nosema ceranae* cause Colony Collapse Disorder in Honey bees *Apis mellifera*? *Journal of Apicultural Research*, 49: 80–84. <https://doi.org/10.3896/IBRA.1.49.1.11>.
- Saltykova, E.S., Gaifullina, L.R., Kaskinova, M.D., Gataullin, A.R., Matniyazov, R.T., Poskryakov, A.V. & Nikolenko, A.G. (2018). Effect of chitosan on development of *Nosema apis* microsporidia in honey bees. *Microbiology*, 87(5): 738-743. <https://link.springer.com/article/10.1134/S0026261718050144>.
- Silici, S., Sagdic, O. ve Ekici, L. (2010). Total phenolic content antiradical, antioxidant and antimicrobial activities of *Rhododendron*. *Honeys-Food Chemistry*, 121 (1): 238-243. <https://doi.org/10.1016/j.foodchem.2009.11.078>.
- Şarer E, Pañçalı S. ve Yıldız S.(1996). *Origanum minutiflorum* O. Schwarz et P.H. Davis Uçucu Yağının Bileşimi ve Antimikrobiyal Aktivitesi. *Ankara Ecz. Fak. Der.* 25,1.
- Şimşek, D. (2007). Muğla ili bal arılarının (*Apis mellifera* L.) mikrobiyal ve paraziter hastalıklar yönünden incelenmesi. Hacettepe Üniversitesi Fen Bilimleri Enstitüsü Yüksek Lisans Tezi.
- Şimşek, H. (2005). Elazığ yöresi bal arılarında bazı parazit ve mantar hastalıklarının araştırılması. *Ankara Üniversitesi Veteriner Fakültesi Dergisi*, 52, 123-126. DOI: 10.1501/Vetfak_0000000030.
- Turhan, M., İzol, E. (2023). “Healing Honey and Harmful Pesticides”, In 2. International Selçuk Scientific Researches Congress Book p:321-328, ISBN: 978-625-367-391-8, October 21-22, Konya, Türkiye
- Topçu, B. ve Arslan, M.Ö. (2004). The prevalence of nosemosis in honey bee in the province of Kars. *Uludağ Arıcılık Dergisi*, 164-170. <https://agris.fao.org/agris-search/search.do?recordID=TR2005000220>.

- Van der Steen, J., Cornelissen, B. & Blacquiere, T. (2010). Strategy to control bee diseases in the Netherlands. Diagnostic in honeybees. From sampling to data analyses. Beedoc – Cost Action. Ghent University, Belgium.
- VanEngelsdorp, D., Caron, D., Hayes, J., Underwood, R., Henson, M., Rennich, K., ... Pettis, J. (2012). A national survey of managed honeybee 2010-2011 winter colony losses in the USA: results from the bee informed partnership. *Journal of Apicultural Research*, 51 (1) 115-124. <https://doi.org/10.3896/IBRA.1.51.1.14>.
- VanEngelsdorp, D., Hayes, J., Underwood, R.M., Caron, D. & Pettis, J. (2011). A survey of managed honey bee colony losses in the USA, fall 2009 to winter 2010. *Journal of Apicultural Research*, 50: 1-10. <https://doi.org/10.3896/IBRA.1.50.1.01>.
- Williams, G.R., Shutler, D., Little, C.M., Burgher-Maclellan, K., & Rogers, R. (2011). The microsporidian *Nosema ceranae*, the antibiotic Fumagilin-B, and western honey bee (*Apis mellifera*) colony strength. *Apidologie*, 42(1) pp:15-22. DOI: 10.151/apido/2010030
- Wiese, N., Fischer, J., Heidler, J., Lewkowski, O., Degenhardt, J. & Erler, S. (2018). The terpenes of leaves, pollen and nectar of thyme (*Thymus vulgaris*) inhibit the growth of bee disease-associated microbes. *Scientific Reports*, 8: 14634. <https://www.nature.com/articles/s41598-018-32849-6>
- Yapıcı, İ., İzol, E. (2023). “Bioactive Components of Some Thyme (*Thymus*) Species and their Effects on Health”, In 3rd International Black Sea Modern Scientific Research Congress Book p:1100-1108, ISBN: 978-625-367-025-2.
- Yılmaz, B. (2011). Apiculture in Turkey. First beekeeping conference of Turkey- Israel. Feb. 21-25. 2010. Antalya, Turkey.
- Yılmaz, M.A., Cakir, O., İzol, E., Tarhan, A., Behçet, L., Zengin, G. (2023). Detailed Phytochemical Evaluation of a Locally Endemic Species (*Campanula baskilensis*) by LC-MS/MS and its In-Depth Antioxidant and Enzyme Inhibitory Activities. *Chemistry&Biodiversity*, e202301182.
- Yılmaz, B. ve Canlı, D. (2012). Türkiye’de arıcılık. TSE Standart Ekonomik ve Teknik Dergi, 51 (601) 40-45.,
- Zeybek, H. (1991). Arı hastalıkları ve zararlıları. Tarım ve Köyişleri Bakanlığı, Hayvan Hastalıkları Araştırma Enstitüsü Müdürlüğü Yayınları, Ogun Kardeşler Yayınevi, Ankara, s: 96.

MANDA, SIĞIR, KOYUN VE KEÇİ KAN SERUMLARINDA ENZOOTİK SIĞIR LÖYKOZU (EBL) ANTİKOR VARLIĞININ ARAŞTIRILMASI

Özkan ÖZÜPAK

Terme İlçe Tarım ve Orman Müdürlüğü Terme/SAMSUN

ORCID ID: 0009-0008-7201-1151

Semra GÜMÜŞOVA

Ondokuz Mayıs Üniversitesi, Veteriner Fakültesi, Klinik Öncesi Bilimler Bölümü, Viroloji ,
OMÜ Kampüs

ORCID ID: 0000-0001-8574-521X

ÖZET

Hayvancılığın ülke ekonomisine sağlayacağı katkırı arttırmanın yollarından birisi de viral enfeksiyonlarla mücadeledir. Bunu gerçekleştirebilmenin ilk adımı da enfeksiyonların varlığının tespitinin yapılmasıdır. Hayvancılıkta verim kayıplarına neden olan birçok viral etken bulunmaktadır. İhbarı Mecburi Hayvan Hastalıkları listesinde de yer alan Bovine Leukemia Virus (BLV) bu etkenlerden birisidir ve evcil ruminantlarda önemli verim kayıplarıyla seyreder. Enzootik sığır löykozu (EBL), Retroviridae ailesinde bulunan BLV tarafından oluşturulan bulaşıcı viral bir hastalıktır. BLV' nin sığırların yanı sıra manda, koyun ve keçi gibi diğer evcil ruminantlarda da enfeksiyona neden olabildiği bildirilmiştir. BLV, enfekte sığırların yaklaşık üçte birinde persiste enfeksiyon gelişmektedir ve bu hayvanların taşıyıcı olarak duyarlı hayvanlara ve hatta insanlara virusun bulaştırılmasında önemli rol oynadığı düşünülmektedir. Son yıllarda yapılan yayınlarda BLV ile enfekte sığır sütleri ile insanlardaki meme kanseri vakalarının ilişkilendirilmesinden dolayı enfeksiyonun hayvanlardaki varlığı daha da önemli hale gelmiştir.

EBL tanısında kullanılan laboratuvar yöntemlerinden biri olan ELISA testi, hayvanların kan serumunda BLV' ye karşı antikor varlığını belirleyen ve enfeksiyonun yaygınlığını ortaya koymada kullanılan önemli bir testtir.

Türkiye'de BLV' nin sığırlardaki varlığı yapılan birçok çalışma ile ortaya konmuştur. Ancak ülkemizde koyun keçi, ve mandalardaki BLV varlığı ile ilgili seroprevalans çalışması bulunmamaktadır. Bu çalışma Türkiye' de koyun, keçi ve mandalarda EBL seroprevalansının araştırıldığı ilk çalışmadır. Ayrıca bu çalışma ile Samsun, Tokat ve Sivas daki sığırlardaki BLV verileri de güncellenmiştir.

Bu çalışmada, 2019-2023 yılları arasında, Samsun, Tokat ve Sivas illerinden Samsun Veteriner Kontrol Enstitüsüne gönderilen toplamda 480 adet evcil ruminantın (manda, sığır, koyun ve keçi) kan serumunda BLV' ye karşı antikor varlığı ELISA testi ile araştırıldı.

Çalışmanın sonunda, ELISA testi ile incelenen serumların hiçbirinde BLV' ye karşı antikor varlığı saptanmadı. Ancak, konu ile ilgili daha kapsamlı çalışmalara ihtiyaç olduğu sonucuna varıldı.

Anahtar Kelimeler: Enzootik Sığır Löykozu, Koyun, Keçi, Sığır, Manda, Antikor, ELISA.

INVESTIGATION OF ENZOOTIC BOVINE LEUKOSIS (EBL) ANTIBODIES IN BUFFALO, CATTLE, SHEEP AND GOAT SERUM SAMPLES

ABSTRACT

One of the ways to increase of contribution of livestock for country's economy is fight with viral infections. The first step to achieving this is detect the presence of infections. There are many virus that cause yield losses in animal husbandry. Bovine Leukemia Virus (BLV) which is on the list of Animal Diseases Must Be Notified, is one of these factors and virus is progresses with significant yield losses in domestic ruminants. Enzootic bovine leukemia (EBL) is a contagious viral disease caused by bovine leukemia virus (BLV) which belongs to the Retroviridae family. It has been reported that BLV can cause infection in other domestic ruminants such as buffaloes, sheep and goats as well as cattle. BLV persists in about one-third of infected cows, and these animals are thought to play an important role as carriers of the virus in transmitting the virus to susceptible animals and even humans. In recent years, the presence of the infection in animals has become even more important due to the association of BLV-infected bovine milk with breast cancer cases in humans.

ELISA test, which is one of the laboratory methods used in the diagnosis of EBL, is an important test used to determine the presence of antibodies to BLV in the blood serum of animals and to reveal the extent of infection.

The presence of BLV in cattle in Turkey has been demonstrated by many studies. However, there are no seroprevalence studies on the presence of BLV in sheep, goats, and buffaloes in our country. This study is the first study investigating EBL seroprevalence in sheep, goats and buffaloes in Turkey. In addition, BLV data in cattle in Samsun, Tokat and Sivas were updated with this study.

In this study, the presence of antibodies against BLV in the blood serum of a total of 480 domestic ruminants (buffalo, cattle, sheep and goats) sent to Samsun Veterinary Control Institute between 2019 and 2023, from Samsun, Tokat and Sivas provinces was investigated by ELISA test.

At the end of the study, the presence of antibodies to BLV was not detected in any of the sera that examined by ELISA. However, it was concluded that more comprehensive studies on the subject were needed.

Keywords: Enzootic Bovine Leucosis, Sheep, Goat, Cattle, Buffalo, Antibody, ELISA.

1. GİRİŞ

Hayvancılığın geliştirilmesi ve verim kayıplarının en aza indirilmesi, ülke ekonomisine sağlayacağı katkıyı arttırır. Hayvancılıkta verim kayıplarına neden olan birçok etken bulunmaktadır. Bu nedenlerin başında virusların payı çok önemlidir. Bu viruslardan Bovine Leukemia Virus (BLV) hayvanlarda ağırlık kaybına ve süt veriminde azalmaya neden olmaktadır. Bovine leukemia virus (BLV) Retroviridae familyasında Deltaretrovirus cinsi içinde sınıflandırılmıştır. İkozahedral simetride ve zarflı olan virion, tek iplikçikli, pozitif polariteli, tek segmentli, linear RNA genomuna (Proviral DNA) sahiptir. Sığırlar yaşamları boyunca bu virus ile enfekte olabilirler. BLV, insanlarda Lösemiye neden olan T-lenfotropik virus-1 (HTLV-1) ile yakından ilişkilidir. B lenfositlerine affinite duyan BLV aynı zamanda T-lenfositler, monositler ve granülositlerde de tespit edilmiştir (Yeşilbağ, 2021). Hastalık 2011 yılında resmi gazetede yayınlanan Tarım ve Köy İşleri Bakanlığı'na ait "İhbarı Mecburi Hayvan Hastalıkları ve Bildirimine İlişkin Yönetmelik" uyarınca ihbarı mecburi hastalıklar listesine eklenmiştir (Değirmenci, 2011). BLV, hayvan nakillerinden kaynaklı tüm kıtalara yayılmış olup dünyada yaygın olarak görülmektedir. Özellikle Amerika, Avrupa, Asya ve Orta Doğu'nun bazı bölgelerinde yaygındır (Buehring ve ark., 2019). Eradikasyon ile hastalıktan arı hale gelmiş ülkeler mevcuttur (Nuotio L. ve ark., 2003, Acaite J. ve ark., 2007). Bu hastalık, ülkemizde ilk kez 1962 yılında patolojik ve hematolojik bulgulara dayanılarak rapor edilmiştir (Burgu ve ark., 1990). Daha sonraki yıllarda yapılan bir çalışmada ülkemizde hastalığın değişen oranlarda varlığı saptanmıştır (Değirmenci, 2011). Afyonkarahisar, Elazığ, Malatya, Bursa, Balıkesir, Burdur ve Çanakkale'de yapılan çalışmalarda değişen oranlarda seroprevalans pozitiflik tespit edilmiştir (Kale ve Öztürk, 2004; Özgünlük ve ark., 2005; Yavru ve ark., 2007; Acar ve Gür, 2013). Kars, Iğdır, Ağrı, Adıyaman, Batman, Ardahan İllerinde yapılan çalışmalarda ise BLV seroprevalans pozitiflik tespit edilmemiştir (Otlı ve ark., 2001; Yıldırım ve Burgu, 2005; Yıldırım ve ark., 2008). Bu çalışmada Samsun, Tokat ve Sivas illerinde 2019-2023 yılları arasında farklı tarihlerde Brucella hastalığı teşhisi amacıyla Samsun Veteriner Kontrol Enstitüsüne gönderilen toplamda dört yüz seksen (480) adet evcil ruminantların (manda, sığır, koyun ve keçi) kan serumlarında BLV' ye karşı antikor varlığının ELISA testi ile araştırılması amaçlanmıştır.

2. ARAŞTIRMA VE BULGULAR

2.1. Deneysel Çalışmalar

Bu çalışmada, evcil ruminantlardan (sığır, koyun, keçi ve manda) Samsun Veteriner Kontrol Enstitüsüne Brucellosiz teşhisi amacıyla gönderilen kan serumu örnekleri

kullanılmıştır. Samsun İli Bafra İlçesinden 24 adet, Tokat İli Merkezden 56 adet, Sivas İli Merkezden 40 adet sığır kan serumu kullanılmıştır. Samsun İli Ladik İlçesinden 43 adet, Tokat İli Almus İlçesinden 15 adet, Sivas İli Ulaş İlçesinden 62 adet koyun kan serumu kullanılmıştır. Samsun İli Ladik İlçesinden 52 adet, Tokat İli 44 adet, Sivas İli Merkezden 24 adet keçi kan serumu kullanılmıştır. Samsun İli 19 Mayıs ilçesinden 30 adet, Bafra İlçesinden 14 adet, Tokat İli Merkezden 76 adet manda kan serum örnekleri kullanılmıştır. Kan serumu örnekleri BLV antikorları yönünden ELISA ile test edilmiştir.

Tablo 1. Kullanılan numunelerin temin edildiği il, ilçe ve türler.

İl	İlçe	Hayvanın Türü	Numune Adedi
Samsun	Bafra	Sığır	24
	Ladik	Koyun	43
	Ladik	Keçi	52
	19 Mayıs	Manda	30
	Bafra	Manda	14
Tokat	Merkez	Sığır	56
	Almus	Koyun	15
	Merkez	Keçi	44
	Merkez	Manda	76
Sivas	Merkez	Sığır	40
	Ulaş	Koyun	62
	Merkez	Keçi	24

ELISA Kiti ticari olarak temin edilen (IDEXX Leukosis Serum Screening, BLV Antibody Test Kit, IDVet, Fransa- LOT 23030) kiti kullanıldı.

Kan Serumu Örneklerinin Hazırlanması

Samsun Veteriner Kontrol Enstitüsüne 2018-2022 tarihleri arasında brucella teşhisi amacıyla gönderilen kan serumları stok tüplere aktarılarak, test edilinceye kadar -20 °C’ de saklandı.

ELISA Testi

BLV karşı spesifik antikorların tespiti amacıyla 480 kan serum örneği ticari ELISA kiti (IDEXX Leukosis Serum Screening, BLV Antibody Test Kiti, IDVet, Fransa - LOT 23030) ile test edildi. ELISA tekniği üretici firmanın direktifleri doğrultusunda gerçekleştirildi.

Bu amaçla:

- Tüm reaktifler kullanılmadan önce oda ısısında 30 dakika (18-26 C) bekletildi.
- Örnek ve kontroller teste tabi tutulmadan önce belirli oranda sulandırıldı.. Bunun için aşağıdaki sulandırma protokolü uygulandı. Kısa inkubasyon ya da bir gecelik inkubasyon olmak üzere iki farklı inkubasyon seçeneği vardır.

- Kısa inkubasyon protokolü (1 saat +/- 5 dk., 370C, +/- 30C)
 - Örnekler ve kontroller 1/20 oranında 96' lık sulandırma pleytlerinde Dilution Buffer N2 ile sulandırıldı.
 - Bir gecelik inkubasyon protokolü (16-24 saat saat ve 2-8 0C)
 - Örnekler ve kontroller 1/50 oranında 96' lık sulandırma pleytlerinde, Dilution Bufefr N2 ile sulandırıldı.
 - Sulandırılmış örneklerden 100 ul alınarak BLV antijenleriyle kaplanmış olan pleyt/pleytlere örnek sayısı kadar konuldu.
 - Sulandırılmış negatif kontrolden 100 ul alınarak uygun bir (1) göze konuldu.
 - Sulandırılmış pozitif kontrolden 100 ul alınarak uygun iki (2) göze konuldu.
 - Pleytin üzeri kapatılarak 1 saat (+/- 5 dk.) ve 370C (+/- 3 0C) inkubasyona bırakıldı.
 - Yıkama solüsyonu 10X oranında distile su ile sulandırılır ve 3 defa yıkama yapıldı.
 - Konjugat 1/100 oranında (100X) oranında Dilution Buffer 1 sulandırılır ve her göze 100 ul sulandırılmış konjugat konuldu.
 - Pleytin üzeri kapatılır ve 370C (+/- 3 0C) 30 dakika (+/- 3 dk.) bekletildi.
 - İnkubasyon sonrası tekrar 3 defa yıkama yapıldı.
 - TMB substrate N.13 her göze 100 ul eklendi.
 - Karanlık ortamda 20 dk. (+/- 3 dk.) 18-26 0C bekletildi.
 - 100 ul stop solüsyonu N.3 eklenir, varsa hava kabarcıkları yok edildi ve ELISA okuyucusunda 450 nm de okundu.
 - Sonuçların geçerliliği testte kullanılan pozitif ne negatif kontrol antijenlerine göre yapıldı.
 - Sonuçların geçerliliği
Pozitif kont. Ort ≥ 0.350 OD
Pozitif kont. / Negatif kont. ≥ 3.00
 - Hesaplama
$$\text{S/N} = \frac{\text{Örnek OD} - \text{negatif kont. OD}}{\text{Pozitif kont. OD} - \text{Negatif kont. OD}} \times 100$$
- Değerlendirme (Bireysel serum ya da plazma)
S/P % ≤ 60 Negatif

S/P % > 60 Pozitif

Değerlendirme (Serum havuzu)

S/P % ≤ 40 Negatif

S/P % > 40 Pozitif

2.2. Deneysel Sonuçlar

Yapılan çalışma kapsamında, Samsun, Sivas ve Tokat illerinin farklı ilçelerinden alınan toplam 480 adet evcil ruminantların (sığır, koyun, keçi ve manda) serum örneğinde BLV ELISA testi kullanılarak BLV enfeksiyonuna karşı sero-pozitiflik tespit edilemedi yani BLV' ye karşı spesifik antikor varlığına rastlanmadı (Tablo 3).

Tablo 3. ELISA Testi Sonuçları

İl	İlçe	Hayvanın Türü	Numune Adedi	ELISA Bulguları
Samsun	Bafra	Sığır	24	Tamamı Negatif
	Ladik	Koyun	43	Tamamı Negatif
	Ladik	Keçi	52	Tamamı Negatif
	19 Mayıs	Manda	30	Tamamı Negatif
	Bafra	Manda	14	Tamamı Negatif
Tokat	Merkez	Sığır	56	Tamamı Negatif
	Almus	Koyun	15	Tamamı Negatif
	Merkez	Keçi	44	Tamamı Negatif
	Merkez	Manda	76	Tamamı Negatif
Sivas	Merkez	Sığır	40	Tamamı Negatif
	Ulaş	Koyun	62	Tamamı Negatif
	Merkez	Keçi	24	Tamamı Negatif

Bu çalışmanın sonuçları, Bu illerdeki evcil ruminantlarda (sığır, koyun, keçi ve manda) örnekleme periyodunda virüs sirkülasyonunun olmadığını ortaya koymaktadır.

3. SONUÇ

Sonuç olarak, bu çalışma Türkiye’de koyun, keçi ve manda türlerinde yapılan ilk çalışma olması nedeniyle önemlidir. Ayrıca örnekleme sınırlı sayıda yapılmış olmasına rağmen, elde edilen

veriler enfeksiyonun Samsun, Sivas ve Tokat illerindeki durumu hakkında ilk kez çalışıldığı ve epidemiyolojik bilgiler vermesi açısından önem taşımaktadır. Test edilen hayvanlarda BLV seropozitiflik tespit edilmemiş olsa da, enfeksiyonun kontrolü ve eradikasyon çalışmalarının planlanarak göz ardı edilmemesinin vurgulanmasında yarar olduğu düşünülmektedir.

KAYNAKÇA

- Acaite, J., Tamosiunas, V., Lukauskas, K., Milius, J. and Pieskus, J. (2007). The eradication experience of Enzootic Bovine Leukosis from Lithuania. Vilnius: Preventive Veterinary Medicine.
- Nuotio, L., Rusanen, H., Sihvonen, L. and Neuvonen, E. (2003). Eradication of Enzootic Bovine Leukosis from Finland. Helsinki: Preventive Veterinary Medicine.
- Burgu, İ., Urman, H. K., Kaaden, O. R., Akça, Y., Alçıgır, G., Berkin, Ş., Alkan, F. ve Atasever, A. (1990). Türkiye'de Enzootik Sığır Löykozu'nun seroepidemiolojisi ve patolojisi. Ankara: Ankara Üniversitesi Veteriner Fakültesi Dergisi.
- Acar, A. ve Gür, S. (2013). Afyonkarahisar ilinde sığırlarda Enzootik Bovine Löykoz Virus (EBLV) enfeksiyonunun araştırılması. Afyonkarahisar: Kocatepe Veteriner Dergisi.
- Akça, Y., Alkan, F., Bilge, S., Karaoğlu, T., Özkul, A., Burgu, İ. ve Kaaden, O.R. (1996). Süt sığırlarının süt ve kan serumlarında Enzootik Sığır Löykozu'na (EBL) karşı antikor varlığının Enzyme Linked Immuno Sorbent Assay (ELISA) ve Agar Jel İmmunodiffüzyon (AGID) testi ile araştırılması. Ankara: Ankara Üniversitesi Veteriner Fakültesi Dergisi.
- Yavru, S., Kale, M., Şimşek, A. ve Bulut, O. (2002). Bir inekte Bovine Lökozis olgusu. Konya: Veteriner Bilimleri Dergisi.
- Yıldırım, Y. Ve Burgu, İ. (2005). Kuzeydoğu Anadolu Bölgesindeki sığırlarda Mavidil (BT), IBR, PI-3, EBL ve BVD enfeksiyonlarının seroprevalansı. Ankara: Ankara Üniversitesi Veteriner Fakültesi Dergisi.
- Değirmenci H. (2011). Enzootic bovine leukosis Virus enfeksiyonunun marmara bölgesinde serolojik ve moleküler yöntemler ile araştırılması.[Doktora Tezi]. İstanbul, İstanbul Üniversitesi.
- Buehring GC, Delaney A, Shen H, Chu DL, Razavian N, Schwartz DA., Bates MN. (2019). Bovine leukemia virus discovered in human blood. BMC Infectious Diseases. 19(1):1–10.
- Yeşilbağ K. (2021). Veteriner Viroloji. Medipress Matbaacılık LTD. ŞTİ. (Prof. Dr. Kadir Yeşilbağ, Ed.).
- Kale, M., Kale, A.S. (2005). Sığır löykozis virus (Enzootik sığır löykozu) enfeksiyonunun kontrolü, eradikasyonu ve ekonomik açıdan önemi. Kafkas Üniv. Vet. Fak. Derg.11(2), 195-200
- Orlik, O., Ban, J., Hlavaty, J., Altaner, C., Kettmann, R., Portetelle, D., Splitter, G.A. (1997). Polyclonal bovine sera but not virus-neutralizing monoclonal antibodies block bovine leukemia virus (BLV) gp51 binding to recombinant BLV receptor BLVRcp1. J Virol. April; 71(4) 3263–3267. 65.
- Otlu, S., Aydın, F., Genç, O., Güler, M.A., Gökçe, G. (2001). Kars yöresi sığırlarında bovine leukaemia virus enfeksiyonu üzerinde serolojik ve hematolojik araştırmalar. Turk J Vet Anim Sci, 25, 105-110. 66.
- Özgünlük, İ., Yıldırım, Y., Alkan, F. (2005). Güneydoğu Anadolu Projesi (GAP) kapsamındaki bölgede halk elinde yetiştirilen sığırlarda bovine leukemia virus (BLV) enfeksiyonunun seroprevalansı. Ankara Üniv. Vet. Fak. Derg., 52, 109-112
- Tarım ve Köyişleri Bakanlığı (2011, 22 Ocak). İhbarı Mecburi Hayvan Hastalıkları Ve Bildirimine İlişkin Yönetmelik. Resmi Gazete. Erişim 11.02.2011, <http://www.resmigazete.gov.tr/eskiler/2011/01/20110122-4.htm>.
- Yıldırım, Y., Yılmaz, V., Otlu, S., & Şahin M. (2008). Kars yöresindeki kültür ırkı sığırlarda Bovine Leukemia Virus (BLV) enfeksiyonunun seroprevalansı. Kafkas Üniversitesi Veteriner Fakültesi Dergisi, 14(1): 99-103.

GELENEKSELDEN MODERNE MÜZİKTE BİR TEMSİL: ŞARKI FORMU

Merve Nur KAPTAN

Tekirdağ Namık Kemal University, Turkish Music State Conservatory, Instrument Training
Department

ORCID ID: 0000-0001-7887-5921

ÖZET

Türk müziği zengin ve kadim bir geleneği temsil eder. Bu geleneğin en dikkat çekici özelliklerinden biri ezgilerin kuruluş biçimi, yani yapısal özellikleridir. Bu manada Türk müziğinin yapısal özelliklerini belirleyen bazı unsurlar bulunur. Bunlar sosyolojik bağlam, oturtum, çağ ve zaman, uslûp, doku, icra edilen mekân, işlev, repertuvar ve tema gibi unsurlardır. Bahsi geçen unsurlar doğrultusunda Türk müziğinin iki temel başlıkta, yani çalgısal ve sözel olmak üzere sınıflandırıldığı görülür. Konunun merkezinde yer alan şarkı formu da sözel formlar arasındadır. 17. yüzyıldan itibaren karşımıza çıkan bu formda, günümüze kadar olan proste değişimlerin yaşandığı bilinir. Bu minvalde şarkı formunun, Hacı Ârif Bey'le beraber değişime uğraması ve farklı bir kimliğe bürünmesi bu duruma örnek teşkil eder. Aslında bu durum, modernleşmenin Türk müziğindeki bir izdüşümü olarak ifade edilir. Hacı Ârif Bey döneminden evvel şarkı formunda bir standardizasyonun olmadığı; başka bir deyişle şarkı formunda bestelenen eserlerin farklı yapılarda olduğu müşahede edilir. Hacı Ârif Bey ile beraber bu formda standartlaşma ve şekil, içerik, güfte tercihleri, nota-hece taksimatı, eserlerin usûlleri gibi muhtelif konularda değişimler meydana gelir. Böylece bu değişimler neticesinde şarkı formu, geniş bir kitleye hitap eder hale gelir ve popülerleşmeye başlar. 20. yüzyılın ikinci yarısından itibaren de şarkı, bir form olma özelliğini yitirir. Bu çerçevede araştırma gelenekselden moderne müzikte bir temsil olarak şarkı formundaki değişime; geleneksel ve modern tarzdaki şarkı formunun benzerlik ve farklarına odaklanmaktadır. Bu amaç doğrultusunda çalışmada betimsel bir modelle belgesel tarama yöntemi yapılmış, konu ile ilgili kaynaklar incelenmiş ve elde edilen veriler yorumlanarak bulgular ortaya konulmuştur.

Anahtar Kelimeler: Müzik, Şarkı, Form, Değişim

A REPRESENTATION IN MUSIC FROM TRADITIONAL TO MODERN: SONG FORM

ABSTRACT

Turkish music represents a rich and ancient tradition. One of the most striking features of this tradition is the way the melodies are structured, that is, their structural features. In this sense, there are some elements that determine the structural features of Turkish music. These are elements such as sociological context, setting, era and time, style, texture, performed place, function, repertoire and theme. In line with the mentioned elements, it can be seen that Turkish music is classified under two basic headings, namely instrumental and verbal. The song form, which is at the center of the subject, is also among the verbal forms. It is known that there have been changes in this form, which we have encountered since the 17th century, until today. In this respect, the song form's change and taking on a different identity with Hacı Arif Bey is an example of this situation. In fact, this situation is expressed as a projection of modernization in Turkish music. Before the period of Hacı Arif Bey, there was no standardization in song form; In other words, it is observed that the works composed in song form have different structures. With Hacı Arif Bey, standardization in this form and changes in various issues such as shape, content, lyric preferences, note-syllable division, and the methods of the works occur. Thus, as a result of these changes, the song form becomes appealing to a wide audience and begins to become popular. Since the second half of the 20th century, song loses its feature as a form. In this context, the research focuses on the change in song form as a representation in music from traditional to modern; It focuses on the similarities and differences between traditional and modern song forms. For this purpose, in the study, a documentary scanning method was used with a descriptive model, the sources related to the subject were examined and the findings were presented by interpreting the data obtained.

Keywords: Music, Song, Form, Change

1. GİRİŞ

Müzik, bir fenomen olarak bilimsel bir çerçevede ele alınmalıdır. Bu manada müzik fenomenini anlamlandırabilmek adına sınıflandırma yapmak gerekir. Bu sınıflandırmada ise sosyolojik bağlam, oturtum, çağ ve zaman, üslûp, doku, icra edilen yer ve mekân, işlev, repertuar ve tema gibi ölçütler önem arz eder (Ersoy, 2017). Bahsi geçen ölçütler doğrultusunda Türk müziğinin iki ana başlıkta, çalgısal ve sözel olmak üzere kategorize edildiği bilinir. Çalışmanın odak noktasında yer alan şarkı da sözel formlar arasında yer alır. Şarkı formu 18. yüzyıl sonlarında ve 19. yüzyılda etkisini gösteren modernleşme sürecinden etkilenen ve değişime uğrayan bir form olması hasebiyle dikkat çeker.

Bahsi geçen yüzyıllarda Türk müziğinde genel itibarıyla bir değişimden söz edilmektedir. Hatta kaynaklarda bu değişimin farklı kültürlere benzer mahiyette olduğundan; bu değişimle beraber müzikte bir standartlaşmanın meydana geldiğinden ve Türk müziğinde formlarda ve icra kalıplarında değişimlerin yaşandığından bahsedilmektedir (Ergur, 2009). Bu minvalde Gerçek ve Akmeahmedođlu (2017), formların zamana, mekâna, hitap ettiđi kitleye göre deđiştini ve büyük formların yerlerini küçük formlara bıraktığını ifade ederler. Münhasıran 19. yüzyılda Hacı Ârif Bey'le beraber şarkı formunun yaygınlaşması bu duruma örnek olarak gösterilebilir. Aslında mezkûr durum, Osmanlı'nın içinde bulunduđu sosyal, siyasal ve kültürel deđişimin ve yenileşmenin müzikteki karşılığdır (Tohumcu, 2009). Başka bir deyişle şarkı formunun yaygınlaşması, modernleşmenin Türk müziğindeki bir tezahürüdür. Zaten toplumda modernleşmenin baş gösterdiği ve yaygınlık kazandığı dönemlerde şarkı formunun popüler örneklerinin artış göstermesi tesadüf deđildir (Alimdar, 2016).

19. yüzyılda şarkı formundaki artışın yanı sıra, bu formun şeklinde ve içeriğinde de deđişim söz konusudur (Alimdar, 2016). Bu doğrultuda şarkı formundaki deđişimi güfte tercihlerinde görmek mümkündür. Dilde sadeleşme ve konu itibarıyla aşka olan temayül, farklı kültür seviyelerine hitap edebilecek seküler bir kültür ürününün meydana gelmesine sebep olmuştur (Ergur & Aydın, 2005/2006). Şarkı formundaki diđer bir deđişim popülerleşmeye olanak sağlayan nota-hece paylaşımıdır. Başka bir ifadeyle heceye düşen nota sayısının 18. yüzyıldan 20. yüzyılın başına kadar olan proseste peyderpey azaldığı görülür. Bu durum güftenin ezgi kadar önemli hale geldiğini göstermektedir. Hece-nota taksimatı dışında şarkı formundaki eserlerin usûllerinde de deđişim göze çarpar (Alimdar, 2016). Bu deđişimle beraber şarkılarda ekseriyetle Aksak, Curcuna, Düyek, Sengin Semaî gibi küçük usûller tercih edilmeye başlar (Öztuna, 1976).

20. yüzyılda sosyo-kültürel manada pek çok deđişimin meydana geldiği ve bu durumun şarkı formunu da etkilediği; bunun sonucunda da hece vezni ile yazılan şarkılarda artış olduđu; şarkıların güftelerinin basitleştiği; küçük usûllerin tercih edildiği ve kullanılan makamların özelliklerinin dışına çıkıldığı görülmektedir.

Yukarıdaki bilgiler ekseninde çalışmanın problem cümlesi "Geleneksel ve modern şarkı formu arasındaki benzerlikler ve farklar nelerdir?" şeklinde belirlenmiştir. Bu doğrultuda araştırma geleneksel ve modern anlayıştaki şarkı formunu ortaya koymayı hedeflemekte ve bu hedef araştırmanın omurgasını oluşturmaktadır. Bu formun -ortaya çıktığı dönemden günümüze kadar olan süreçte- özelliklerini ve geçirmiş olduđu deđişimleri ortaya koyabilmek adına da çalışmada öncelikle şarkı kavramına ve bilahare şarkı formunun tarihsel gelişimine değinilecektir.

2. ŞARKI KAVRAMI

Şarkı kavramı, etimolojik olarak Sümerlere (M.Ö. 2000-4000) kadar götürülür. Bu doğrultuda Yılmaz (1994) çalışmasında bu kavramın Sümerlerin konuştuğu dilde “sur”, “sir” sözlerinin şarkı söylemek anlamında kullanıldığından ve çeşitli Türk lehçelerinde de aynı anlamı haiz olan “sarın”, “cır”, “yur”, “yır”, “ır”, köklerine bağlanabileceğinden bahseder. Yine farklı bir kaynaktan şarkının etimolojisiyle ilgili olarak Sümer ve Türk lehçelerinde sum-sar, çar-şar hecelerine, Uygur lehçesinden “ku” veya “kui” hecelerinin; Türk lehçelerinde sar, şar, car, cır, sarın, yu köklerine -lamak, -namak mastarlarının eklenmesinden meydana geldiği hakkında bilgiler verilir (Özalp, 1992; Altınel Çoban, 2010). Ayrıca bu kelimenin fonetik açıdan bazı değişikliklere uğrayarak “şarkı” halini aldığı ve mezkûr kelimenin “şark” ile ilgisinin olmadığı ifade edilir (Altınel Çoban, 2010). Danişmend (1941) de çoğu Türk lehçelerinde şarkı kelimesine rastlandığına ve “şar” ile “kı” hecelerinin birleşiminden bir isim meydana geldiğine dikkat çeker. Ayrıca Uygur lehçesinde “çar”, Türk lehçesinde “şar” köküne “ku-kı” hecelerinin eklenmesinin aynı olduğunu, yani aynı anlama geldiğini ifade eder. Şarkı kelimesi semantik olarak ise uyumlu, ezgili insan sesleri dizisi, şanson, sözlü beste, ezgi, müzik parçası, lied, nakaratlı kıtaların terennüm edilmesi gibi anlamlar taşır (Sözer, 1986; Gazimihal, 1961, *Türk Dil Kurumu Sözlükleri*).

Türk müziğinde bir form olarak şarkı ile ilgili ise farklı tanımlamalara rastlamak mümkündür. Bu çerçevede Öztuna (1976:), şarkıyı Türk müziğinde maruf kompozisyon şekli ve küçük bir söz eseri formu olarak ifade eder. Ayrıca şarkı formunun Türk müziğinde en çok kullanılan form; Batı müziğinde liedin, Türk halk müziğinde ise türkünün karşılığı olduğunu belirtir. Kaygısız (2000), şarkı formunu küçük, dört bölümlü eser olarak tanımlar. Ezgi (1933), 4, 5, 6 mısralı şiirlerin çoğunlukla terennümsüz olarak bestelenen ezgilere şarkı isminin verildiğini; önceki zamanlarda Zencir, Türkîdarb, Bereşan, Sakîl, Devr-i Kebir gibi büyük usûllerde şarkıların bestelenmiş olduğu mecmualarda görülse de günümüzdeki şarkıların Sofyan, Aksak, Türk Aksağı, Aksak Semaî gibi küçük usûllerle ölçüldüğünden bahseder. Özkan (1998)’a göre şarkı, 4,5,6,8 mısralı kıtaların bestelenmesinden meydana gelen bir formdur. Bu form terennümsüz; çoğunlukla 10 zamanlıya kadar küçük usûllerle ve az da olsa bazı büyük usûllerle bestelenmektedir. Bunlar dışında Beste, Ağır ve Yürük Semaî formlarından üslûp açısından farklılık göstermektedir. Benzer bir aktarımda Akdoğu (1996), şarkının 10 zamanlıya kadar olan usûllerle bestelenen sözel bir tür olduğunu ifade eder. Şarkının düzeni ise abcb, dddb şeklindedir ve bu düzende yazılan şiirlerin bestelenmesiyle şarkı oluşmaktadır. Akgün (2021), şarkı formunun la-dinî bir form olduğunu; fasıllarda Ağır Semaîden sonra icra edildiğini;

terennümsüz olduğunu; ekseriyetle Aksak, Aksak Semâî, Curcuna, Düyek, Müsemmen, Devri Hindi, Türk Aksağı, Sofyan gibi küçük usûllerle bestelendiğini ve şarkılarda aranağmelerin yer aldığını belirtir. Yahya Kaçar (2012), şarkı formu için küçük formdaki eserlerden en çok kullanılanı olduğunu; şarkıların çoğunun küçük usûllerle bestelendiğini; güftelerinin ise genellikle dörtlüklerden -murabba- oluştuğunu; fakat dört mısradan sekiz mısraya kadar olan güftelerin de kullanıldığını dile getirir. Sefer (2012) de benzer bir aktarımda bulunur ve bu formun küçük usûllerle ve 2, 3, 4, 5, 6 mısralı şiirlerin terennümsüz olarak bestelendiğini nakleder. Tanrıkorur (2019), şarkı formuna dair yukarıdaki aktarımlara koşut bir tanımlama yapar. Fasıllarda Ağır Semaî ve Yürük Semaî arasında icra edildiğini; 18. yüzyıldan sonra yaygınlaşan aaba kafiye düzeninde ve genel olarak dört mısralı; çoğunlukla aruzun Hezec, Remel ya da Recez bahirlerine ait vezinlerdeki sözlerin, küçük usûllerle, terennümsüz olarak bestelendiğini ifade eder. Bütün bu tanımlamalar dışında Feldman (1996), şarkı formunu dair farklı bir tanımlamada bulunur ve bu formu hafif klasik bir form ve müziksel kutuplaşma biçimi olarak tanımlar. Hülasa şarkı formuna dair yapılan tanımlamalarda benzerlik söz konusudur. Bu çerçevede genel itibarıyla şarkı formu, küçük usûllerle, terennümsüz, dört mısradan sekiz mısraya kadar yazılan şiirlerle bestelenen bir form olarak karşımıza çıkmaktadır (Akgün & Giray, 2023).

3. ŞARKI FORMUNUN TARİHSEL GELİŞİMİ

Literatüre bakıldığında şarkı formunun tarihini 17. yüzyıldan daha önceki tarihlere götürmek mümkün gözükmemektedir. Bu doğrultuda şarkı formunun halk edebiyatının murabba nazım şekilleri arasında yer alan türkü ve koşma türlerinin etkisiyle 17. yüzyılda ortaya çıktığı belirtilmektedir (Tüfekçioğlu, 2019). Bu çerçevede mezkûr forma dair bilgilere yazma eserlerde -nazariyat kitapları ve güfte mecmuaları- rastlamak mümkündür. Bu eserlerden Evliya Çelebi'nin kaleme almış olduğu Seyahatname adlı eserde Sultan IV. Murat döneminde (1623-1640) kullanılan müzik formları arasında şarkı formunun da yer aldığı; fakat bu eserde şarkı formunun biçimsel özellikleri ile ilgili bir bilgiye ulaşılmadığı ifade edilmektedir (Kahraman & Dağlı, 2004). Yılmaz (1994) da bu yüzyılda şarkı formuna yer veren eserlerden biri olan Hafız Post (1630-1694)'a ait Güfte Mecmuası'nın önemine değinir. Ayrıca bu mecmuadaki şarkıların güftelerinin günümüze intikal etmediğinden; bu eserlerin müziksel yapıları hakkında fikir yürütülemeyeceğinden; fakat şarkı formunun ilk emsalleri olması hasebiyle bilinmesinin gerekli olduğundan söz eder.

17. yüzyılda önemi haiz olan eserlerden biri de Ali Ufkî Bey -Albert Bobowski (1610-?) tarafından kaleme alınan "Mecmua-i Saz-ü Söz" adlı nota ve güfte mecmuasıdır. Bu eserde yer

alan ve toplam 11 beste formuyla bestelenmiş olan 544 eser içerisinde dört adet de şarkı formunun bulunduğu ifade edilir. Cevher (2003)'in bu konudaki tespitlerine göre bahsi geçen eserde şarkı olarak isimlendirilmiş dört eserin notası bulunmakta; ayrıca şarkı olarak belirtilmiş ve sadece sözleri yazılmış 714 eser yer almaktadır. Fakat bunların hiçbirinin bir form olma özelliği taşımadığı ve sözlerinin yapısının eserde yer alan bir diğer form olan türküyle tamamen aynı olduğu dile getirilmektedir. Bahsedilen şarkıların ezgi yapılarında da bir farklılık görülmemektedir. Bu aktarımın aksine Yılmaz (1994), farklı bir aktarımda bulunmaktadır. Ona göre mezkûr eserde Semaî, Varsağı, Murabba gibi formlara değinilmekte; fakat şarkı formuna dair bir bilgiye ulaşılmamaktadır. Zaten bu yüzyıldaki Hafız Post (1630-1694), Çömlekçizade Receb Çelebi (?-1710), Buhûrîzade Mustafa İtrî Efendi (1640-1711), Seyyid Nuh (?-1714) gibi bestekârların eserlerine bakıldığında şarkı formunda eserlerin yok denecek kadar az olduğu görülmektedir (Aksüt, 1993).

Mecmua-i Saz-ü Söz dışında Kantemiroğlu (ö.1723) tarafından kaleme alınan Kitabu İlmi'l Musiki ala vechi'l-Hurûfat adlı esere de değinmek gerekir. Bu çalışmada peşrev ve saz semaisi formunda eserler yer almaktadır; fakat eserler arasında şarkı formu olmamasına rağmen, şarkının formu ve yapısı hakkında bilgiler bulunmaktadır (Behar, 2020; Yücel, 2023). Bu bilgilerde şarkı formunun beyitlerden oluştuğu ve her beyitin sırasıyla zemin, sonra miyan-hane şeklinde icra edildiği ifadelerine rastlanmaktadır (Tohumcu, 2009). Bu ifadeler, şarkı formunun günümüz şarkı formundan -biçimsel açıdan- farklı olduğunu göstermektedir (Akgün & Giray, 2023).

Türk müzik tarihi incelendiğinde 18. yüzyıla kadar olan süreçte Âyin, Kâr, Beste, Semaî gibi büyük formlarda eserlerin bestelendiği müşahede edilmektedir. Ünsal (1992), araştırmasında bu döneme kadar bestekârların şarkı formuna eğilim göstermediklerini veya şarkı formunda beste yapsalar bile günümüzde bu konuda bir bilginin yer almadığını; 18. yüzyılla beraber bestekârların büyük formda bestelerinin yanı sıra şarkı formunda da bestelerinin bulunduğunu ve bu döneme ait ilk şarkı örneklerinden birinin İbrahim Ağa (?-1740) tarafından Mahur makamında ve Evsat usûlünde bestelemiş olan “Sabah Olsun Ben Şu Yerden Gideyim” isimli eser olduğunu ifade etmektedir (Akgün & Giray, 2023). Bu minvalde bahsi geçen eser, Evsat usûlünde bestenmiş olmasından dolayı geleneksel tarzdaki formların özelliklerinden izler taşımakta ve geleneksel döneme ait günümüze ulaşan şarkılardan biri olması nedeniyle de önem arz etmektedir diyebiliriz.

Bu yüzyılda şarkı formu, dörtlük biçiminde ve kafiyeli olarak karşımıza çıkmaktadır. Klasik şarkı oluşumu ve gelişimi ise münhasıran 18. yüzyılın önde gelen divan şairlerinden Nedim'in

(1681-1730) şiirlerinde görülmektedir. Bilahare Şeyh Galip (1757-1798), Enderunlu Fazıl (1757-1810) ve Enderunlu Vasıf (1771-1824) gibi şairlerin bestelenmek üzere şarkılar yazmaya devam ettikleri bilinmektedir (Tohumcu, 2009). İsmi zikredilen kişilerin şarkı formunda eser bestelemeleri ise Akgün ve Giray (2023)'a göre Hacı Ârif Bey ile müzik sahasında hâkim olacak şarkı bestekârlığının zeminini hazırlamıştır.

18. yüzyılda bestelen eserlerde şarkı formunun yer aldığı ve önceki yüzyıla nazaran bu formda bestelenen eserlerde artış olduğu görülmektedir. Bu yüzyılın önemli bestekârları arasında ise Dilhayat Kalfa (?-1740), Zaharya (?-1740?), Ebûbekir Ağa (1685-1779), Tabî Mustafa Efendi (1705-1774), Abdülhalim Ağa (1710-1802) gibi besteciler gösterilmektedir. Mezkûr bestekârların şarkı formunda eserlerinin olduğu belirtilmekte; fakat bu yüzyılda Tanbûrî Mustafa Çavuş (1689-1756) ve Seyyid Ahmet Ağa (1728-1794)'nın bestelemiş oldukları eserlerin tür dağılımını şarkı formu lehine önemli derecede değiştirdikleri ifade edilmektedir (Aksüt, 1993).

Bu meyanda Tanbûrî Mustafa Çavuş'un önemine değinmek gerekir. Çünkü Tanbûrî Mustafa Çavuş'un sadece bir tane klasik formda eseri bulunmaktadır. Diğer bestelerinin hepsi şarkı formundadır (Ak, 2003). Bu çerçevede Şenocak (2012), Mustafa Çavuş'un şarkılarının, şarkı formunun hazırlayıcı unsurları olduğundan ve günümüze 63 şarkısının ulaştığından bahseder. Mustafa Çavuş'un şarkı formundaki eserlerine bakıldığında ise belli bir standardizasyonun olmadığı, başka bir ifadeyle hemen hemen bütün şarkı formundaki eserlerinin farklı yapılarda olduğu; eserlerinin hece vezniyle yazıldığı; zengin bir kompozisyonun, çarpıcı ezgilerin ve yalın bir Türkçe'nin kullanıldığı görülmektedir (Yılmaz, 1994; Öztuna, 1976).

Bu dönemde ve sonraki dönemlerde Mustafa Çavuş dışında pek çok bestekârın şarkı formunda eserlerine rastlanmaktadır. Bu bestekârlar arasında Tanbûrî İsak (1745-1814), Küçük Mehmed Ağa (ö. 1800?), Hacı Sadullah Ağa (ö. 1801?), Numan Ağa (1750-1840), III. Selim (1761-1808), İsmail Dede Efendi (1778-1846), Şakir Ağa (1779-1840), Kemani Rıza Efendi (1781-1852), II. Mahmud (1785-1839), Dellalzade İsmail Efendi (1797-1869), Suyolcuzade Salih Efendi (1804-1862), Haşim Bey (1814-1868) gibi bestekârlar gösterilebilir (Yılmaz, 1994; Aksüt, 1993; Tohumcu, 2009). Bahsi geçen bestekârlar arasında Dede Efendi'nin önemine dikkat çekmek gerekir. Bunun sebebi ise kendisinin Mevlevî Âyini, İlâhî, Kâr-ı Nâtık, Peşrev, Köçekçe, şarkı gibi muhtelif formda eserler bestelemesi (Yener, 2014) ve ayrıca günümüze ulaşan 288 eserin 116 tanesinin şarkı formunda olmasıdır. Bu eserlerden Rast makamında ve Ağır Aksak usûlünde bestelediği "Gördükçe Ben Ey Meh Cemâl" isimli eser ise günümüzdeki şarkı formuyla -yapısal açıdan- benzerlik gösteren eserlerden biridir. Yani bu eser zemin,

nakarar, meyan, nakarar şeklinde bir yapıyı haizdir (Akgün, 2021). Bütün bunlar dışında Dede Efendi'yle beraber şarkı formunda hem hece vezni hem de aruz vezninin kullanılması da önemli bir değişim olarak kabul edilmektedir (Yılmaz, 1994). Bu doğrultuda Dede Efendi'nin şarkı formunun yayılmasında önemli bir katkısının olduğunu ifade etmek yerinde olacaktır (Ergur, 2009).

Yukarıda bahsi geçen isimler dışında 19. yüzyılda Rifat Bey (1820-1888), Zekâi Dede (1825-1897), Hacı Ârif Bey (1831-1885), Faik Bey (1831-1891), Bolahenk Nuri Bey (1834-1910), Şevki Bey (1860-1891) gibi bestekârlar da şarkı formu besteleyen kişiler arasında gösterilmektedir. Bahsi geçen isimler arasında yer alan Hacı Ârif Bey, şarkı besteciliğinde ve hatta Türk müziğinde bir dönüm noktası olarak belirtilmektedir (Kaygısız, 2000; Alimdar, 2016). Bu döneme kadar olan süreçte şarkı formunun yapısal özelliklerinde değişimler söz konusudur. Şarkılar aruz ve hece vezninin kalıplarıyla, murabba -dört mısralı-, muhammes -beş mısralı-, müseddes -altı mısralı-, müsebba -yedi mısralı- ve müsemmen -sekiz mısralı- şeklinde ve küçük usûllerden 26 zamanlıya kadar olan bazı büyük usûllerle bestelenmektedir (Tohumcu, 2009).

Hacı Ârif Bey'le beraber şarkı formu yeni bir kimliğe bürünür ve bu formda pek çok değişiklik göze çarpar. Bu değişiklikler eserlerde 10 zamanlıya kadar olan küçük usûllerin kullanılması; daha sade ve Batı tamperamanına uygun makamların seçilmesi; güftelerin 4, 6 ve 8 mısralı; fakat ekseriyetle dört mısralı şiirlerden meydana gelmesi ve şiirin ilk mısrasının zemin, ikinci mısrasının nakarar, üçüncü mısrasının meyan ve son mısrasının da nakarar ismini almasıdır (Tohumcu, 2009; Oransay, 1983; Sefer, 2012). Bu minvalde Şenocak (2012), bu dönemden itibaren şarkı formunun "abcb" şeklinde yaygın olarak kullanıldığını ve bu yapının Hacı Ârif Bey'le tescillendiğini ve günümüzde de devam ettiğini ifade eder. Bunlar dışında Hacı Ârif Bey'in eserlerinde dil ve içerikte sadeleşme (Alimdar, 2016), uslûp, güfte işleyişi ve temada da değişimler söz konusudur (Aksoy, 1985). Böylece yapılan değişikliklerle beraber şarkı formu, daha geniş bir kitleye hitap eden bir yapıya bürünmüş ve popülerleşmeye başlamıştır (Ergur, 2009). Bu anlamda Akgün ve Giray (2023), bu formun popüler hale gelmesinde Tanzimat'la beraber kendini göstermeye başlayan modernleşmenin etkisinin olduğundan bahsetmektedirler. Literatürde Hacı Ârif Bey'in günümüze pek çok eserinin ulaştığı konusunda bilgiler yer almaktadır. Bu bağlamda Yılmaz (1994), Hacı Ârif Bey'in 1000'den fazla eser bestelediğini, bunlardan 373'ünün şarkı formunda olduğunu belirtir. Kaygısız (2000) da benzer bir şekilde Hacı Ârif Bey'in 1000'den fazla şarkısının olduğunu ve bunlardan 300'den fazlasının günümüze ulaştığını ifade eder.

Hacı Ârif Bey'in izinden ilerleyen ve bu formun gelişmesinde katkısının olduğu düşünülen isimlerden biri de Şevki Bey'dir (Özkan, 1998). Şevki Bey'in 600 şarkısından yaklaşık olarak 200'ünün günümüze intikal ettiği bilinmektedir (Kaygısız, 2000). Aktarımlar Hacı Ârif Bey ve Şevki Bey gibi bestekârlarla beraber şarkı besteciliğinin yaygın hale geldiğini işaret etmektedir. Aslında bu durum, mezkûr dönemde etkisini gösteren modernleşme süreçleriyle ilgilidir. Bu sürecin toplumda pek çok alanda değişimlere sebep olduğu ve bu değişimler neticesinde de bestekârlar tarafından sanatsallıktan uzak, sözleri anlaşılır, ticari amaçlı şarkıların bestelendiği bilinmektedir (Yavaşca, 2002). Bu çerçevede Aksoy (1985), Hacı Ârif Bey ve Şevki Bey'in eserlerinin klasik eserlere nazaran daha hafif müzik eserleri olduğunu ve bu durumun müzikte bir düşüşü temsil ettiğini; ayrıca bu çığırın yaygın hale geldiğini ve hatta bestekârlığın neredeyse şarkı bestekârlığıyla sınırlı hale geldiğini belirtir. Uçan (2015) da benzer bir aktarımda bulunur ve toplumdaki değişmeye paralel olarak Hacı Ârif Bey, Şevki Bey gibi bestekârların tamamen şarkı formuna yönelmiş olduklarından bahseder. Bu durum Hacı Ârif Bey ve Şevki Bey'den sonra da devam eder ve bu dönemden sonra da şarkı formu besteleyen bestekârların sayısında artış gözlemlenir. Lemi Atlı (1869-1945), Hüseyin Sadeddin Arel (1880-1955), Sadettin Kaynak (1895-1961) gibi bestekârlar bu kişiler arasındadır (Yener, 2014).

Bu yüzyılda şarkı formunun popüler hale gelmesiyle birlikte "fasıl" adı verilen -aynı makamda farklı formlardaki eserlerin yer aldığı- icra şeklinin yapısında da değişimler yaşanır. Önceki dönemlerde Kâr, Beste, Ağır Semaî, Yürük Semaî gibi büyük formlardaki eserlerden meydana fasıllar, 19. yüzyıl ortalarından itibaren sadece şarkı formunun yer aldığı bir forma dönüşür. Dolayısıyla şarkı formunda bestelenen eserlerin sayısı da münhasıran 20. yüzyıl başlarından itibaren hızla çoğalmaya başlar. Bu dönemde şarkı formunun yapısındaki değişiklik ise fasıllarda icra edilen şarkıları birbirine bağlamak için aranağme adı verilen çalgısal bölümlerin forma eklenmesidir (Tohumcu, 2009).

20. yüzyılda sosyo-kültürel anlamda pek çok değişimin yaşandığı ve bu durumun şarkı formunu da etkilediği; bu çerçevede 1920'li yıllardan itibaren hece vezni ile bestelenen şarkıların sayısının arttığı ve bu durumun müziğin yozlaşmasına ya da eğlence müziğine dönüşmesine sebep olduğu ifade edilir (Yavaşca, 2002; Kaygısız, 2000; Yılmaz, 1994). Aksoy (1985) da benzer bir aktarımda bulunur ve Cumhuriyet'ten sonra çoğu bestekârin dört mısralık kısa şarkılar bestelediğinden ve sonuç olarak bir form kısırlığının doğduğundan bahseder. Ayrıca 1930'larda şarkının başka bir türü olan fantezilerin bestelenmeye başladığını ve bu durumun Türk müziğinde bir tıkanmaya sebebiyet verdiğini dile getirir. Bu dönemde fantezi şarkıların

yanı sıra film şarkılarının da bestelenmeye başladığı bilinir. Böylece çoğu bestekâr fantezi şarkısı ve film şarkısı akımı ile klasik şarkı formu yerine bahsi geçen formlarda eserler besteler. Sadettin Kaynak (1895-1961), Münir Nureddin Selçuk (1900-1981) gibi kişiler bu duruma örnek teşkil eder (Tohumcu, 2009). Bu yüzyılda ayrıca şarkıların konularına ve besteleniş amaçlarına göre farklı isimler aldığı belirtilir. Fantezi şarkı, fasıl şarkısı, solo şarkı, eğlence şarkısı, çocuk ve gençlik şarkısı, piyasa şarkısı bu örneklerden bazılarıdır (Akdoğan, 1996).

20. yüzyılın ikinci yarısından itibaren günümüze kadar olan süreçte şarkının bir form olma özelliğini yitirdiği; her nevi ezgi ve formun şarkı olarak tanımlandığı; popüler müzik piyasası başta olmak üzere Türkiye’de icra edilen müzik eserleri, formlarının ne olursa olsun “şarkı”; tüm ses icracılarının ise “şarkıcı” olarak nitelendirildiği ve bu durumlardan dolayı da şarkı kelimesinin yanlış kullanılarak müzik terminolojisinde yozlaşmaya neden olduğu görülmektedir (Tohumcu, 2009). Ayrıca şarkı formu artık değişerek pop tarzı şarkı, arabesk tarzı şarkı, hafif Batı müziği tarzı şarkı şeklinde bestelenmeye başlamış ve Türk müziğinin halka yönelmesi neticesinde Türk müziğinde sadeleşme meydana gelmiş ve bunun sonucunda Türk müziği değişim ve dönüşüme uğramıştır (Gerçek & Akmehmedoğlu, 2017). Bu durumun sebepleri arasında ise Batının örnek alınması, ülkede yaşanan sosyo-kültürel manada değişimler, ekonominin bozulması, teknolojik alanda yaşanan gelişmelere koşut nota ve icraların kayıt altına alınmasıyla müziğin halkın eğlence aracı haline gelmesi, fasıllarda niteliksiz şarkıların icra edilmesi ve bu şarkıların müzik icracılarının geçim kaynağı haline gelmesi gösterilmektedir (Akgün & Giray, 2023).

Günümüzde icra edilen şarkılar incelendiğinde ise güftelerin basitleştiği; küçük usûllerin kullanıldığı; makamın özelliklerinin dışına çıkıldığı müşahede edilmektedir. Muhayyerkürdi makamının inici kürdi olarak icra edilmesi; bu minvalde bestelenen “Yıllar Sonra Rastladım Çocukluk Sevgilime”, “Bırakma Ellerimi” gibi eserler bu duruma örnek teşkil etmektedir (Gerçek & Akmehmedoğlu, 2017).

4. SONUÇ

Türk müziği sözel formlarından biri olan şarkı formuna dair bilgilere 17. yüzyıldan itibaren rastlamak mümkündür. Bu yüzyılda şarkı formuyla ilgili pek fazla bilgi olmamakla birlikte, şarkı formu tanımlamalarına ve mevcut eserlere bakıldığında bu formun beyitlerden meydana geldiği ve zemin, meyan-hane şeklinde icra edildiği bilgilerine ulaşılmaktadır. 18. yüzyılla beraber besterkârların büyük formlarda ve şarkı formunda eserler bestelediği; şarkı formunda bestelenen eserlerde belli bir standardın olmadığı; eserlerin hem aruz vezni hem de hece

vezniyle; murabba, muhammes, müseddes, müsebbâ ve müsemmen şeklinde ve küçük usûllerden 26 zamanlıya kadar olan bazı büyük usûllerle bestelendiği görülmektedir.

19. yüzyılda ise şarkı formunda kayda değer bir değişimden söz edilmektedir. Bu durum, devletin içinde bulunduğu sosyal, siyasal ve kültürel değişimin ve yenileşmenin müzikteki karşılığı olarak ifade edilmektedir. Bu manada mezkûr yüzyılda şarkı formunda bir artış olması rastlantı değildir. Bu formda artış olmasının yanı sıra, formun şeklinde, içeriğinde de değişimler meydana gelmiştir. Bu değişimler ise eserlerde 10 zamanlıya kadar olan küçük usûllerin kullanılması; Batı müziğine yakın makamların seçilmesi; güftelerin ekseriyetle dört mısralı şiirlerden meydana gelmesi; şarkının yapısının abcb, yani zemin, nakarat, meyan ve nakarat şeklinde standartlaşması; güfte tercihlerinde değişim; dilde sadeleşme; temanın değişmesi ve şarkının seküler bir kültür ürünü haline gelmeye başlaması olarak sıralanmaktadır.

Bahsi geçen değişimlerin yaşandığı dönem Hacı Ârif Bey dönemine tekabül etmektedir ve bu dönem Türk müziğinde bir kırılma noktası olarak ifade edilmektedir. Bu dönemle beraber şarkı formu, daha geniş bir kitleye hitap ederek popülerleşmeye başlar ve bu durumdan bestekârlar da etkilenir, bunun neticesinde de sanatsal seviyesi düşük, ticari amaçlı şarkılar bestelenir. Aslında mezkûr durum, müzikte bir düşüşü temsil eder. Çünkü bu dönemden itibaren bestekârlık, şarkı bestekârlığıyla sınırlı hale gelmeye başlamıştır.

20. yüzyılda sosyo-kültürel manada muhtelif değişikliklerin yaşandığı ve bu durumun şarkı formunu da etkilediği görülmektedir. Bu anlamda hece vezni ile yazılan dört mısralık şarkılarda artış söz konusudur. Bahsi geçen durum müzikte bir yozlaşmaya ve müziğin eğlence müziğine dönüşmesine sebep olmuştur. Yine bu yüzyılda fantezi şarkısı ve film şarkısı tarzında bestelerin yapıldığı; ayrıca şarkıların konularına ve besteleniş amaçlarına göre fasıl şarkısı, solo şarkı, eğlence şarkısı, çocuk ve gençlik şarkısı, piyasa şarkısı gibi isimler aldığı; 20. yüzyılın ikinci yarısından itibaren günümüze bakıldığında ise şarkının bir form olma özelliğini yitirdiği; her çeşit melodi ve formun şarkı olarak tanımlandığı; güftelerin basitleştiği; küçük usûllerin kullanılmaya başladığı ve makamın özelliklerinin dışına çıkıldığı müşahade edilmektedir.

Sonuç itibarıyla geleneksel ve modern tarzda bestelenen şarkı formundaki eserlere bakıldığında ikisi arasında benzerlikten daha ziyade pek çok farkın olduğunu söyleyebiliriz. 18. yüzyılın sonraları ve 19. yüzyıl öncesinde bestelenen eserler incelendiğinde eserlerde hem aruz hem de hece vezninin kullanıldığı; Osmanlıca, Arapça, Farsça sözlerin yer aldığı; temada çeşitliliğin olduğu; hem büyük hem de küçük usûllerin kullanıldığı; makam seçimlerinde ve şarkın formal şeklinde bir sınırlılığın olmadığı; murabba, muhammes, müseddes, müsebbâ ve müsemmen şeklinde farklı biçimlerin tercih edildiği görülmektedir. Bahsi geçen yüzyıllarla beraber ise

şarkı formunda kayda değer değişimlerin yaşandığını ifade edebiliriz. Bu değişimleri ise eserlerin sadece hece vezniyle bestelenmesi; sözlerin sade bir dille yazılması; temada sınırlılığın olması; genel olarak küçük usûllerin kullanılması; Batı tamperamına yakın makamların seçilmesi; şarkının yapısının abcb şeklinde standartlaması şeklinde sıralayabiliriz.

KAYNAKÇA

- Ak, A. Ş. (2003). Türk Müsîkîsi Tarihi. Ankara: Akçağ Yayınları.
- Akdoğu, O. (1996). Türk Müziği'nde Türler ve Biçimler. İzmir: Ege Üniversitesi Basımevi.
- Akgün, E. (2021). Türk makam müziği sözlü eser besteciliğinin 17-19. yüzyıl arasındaki değişiminin form ve makam açısından karşılaştırmalı olarak incelenmesi. İnönü Üniversitesi Sosyal Bilimler Enstitüsü, Müzik Ana Bilim Dalı, Müzik Bilimleri ve Teknolojisi Bilim Dalı, Doktora Tezi.
- Akgün, E. & Güray, M. Z. (2023). Musikide dönüşümün somut örneği şarkı formu. İnönü Üniversitesi Kültür ve Sanat Dergisi, 9(1), 156-162. <https://doi.org/10.22252/ijca.1307885>
- Aksoy, B. (1985). "Tanzimat'tan Cumhuriyet'e Musiki ve Batılılaşma", Tanzimat'tan Cumhuriyet'e Türkiye Ansiklopedisi (C.V). İstanbul: İletişim Yayınları.
- Aksüt, S. (1993). Türk Musikisinin 100 Bestekârı. İstanbul: İnkılâp Kitabevi.
- Alimdar, S. (2016). Osmanlı'da Batı Müziği. İstanbul: Türkiye İş Bankası Kültür Yayınları.
- Altinel Çoban, N. Y. (2010). Türk Müziği Formları Ders Notları. İstanbul.
- Behar, C. (2020). Orada Bir Musiki Var Uzakta... İstanbul: Yapı Kredi Yayınları.
- Cevher, M. H. (2003). Ali Ufkî Hâzâ Mecmûa-i Sâz ü Söz. İzmir.
- Danışmend, İ. H. (1941). Cumhuriyet Gazetesi.
- Ergur, A. (2009). Müzikli Aklın Defteri. İstanbul: Pan Yayıncılık.
- Ergur, A. & Aydın Y. (2005/2006). Patterns of modernization in Turkish music as indicators of a changing society. *Musicae Scientiae*, Özel Sayı, 89-108.
- Ersoy, İ. (2017). Müzikte tür kavramı: Müzik türleri sınıflandırmasında yeni bir model önerisi. EÜ Devlet Türk Musikisi Konservatuvarı Dergisi, 11, 1-16.
- Ezgi, S. (1933). Nazari ve Ameli Türk Musikisi (3. Cilt). İstanbul: İstanbul Belediye Konservatuvarı.
- Feldman, W. (1996). Music of the Ottoman Court; Makam, Composition and the Early Ottoman Instrumental Repertoire. Berlin: VWB-Verlag für Wissenschaft und Bildung.
- Gazimihal, M. R. (1961). Müsîkî Sözlüğü. İstanbul: Milli Eğitim Basımevi.
- Gerçek, İ. H. & Akmehmedoğlu, N. (2017). Günümüz Türk sanat müziği bestelerinin geleneksel Türk sanat müziğine göre din-dışı sözlü eser bağlamında değişim ve dönüşüm. İnönü Üniversitesi Kültür ve Sanat Dergisi, 3(1), 149-162. <https://doi.org/10.22252/ijca.337010>
- Kahraman, S. A. & Dağlı Y. (2004). Günümüz Türkçesiyle Evliya Çelebi Seyahatnamesi. İstanbul: Yapı Kredi Yayınları.
- Kaygısız, M. (2000). Türklerde Müzik. İstanbul: Kaynak Yayınları.
- Oransay, G. (1983). "Cumhuriyet'in İlk Elli Yılında Geleneksel Sanat Musikimiz", Cumhuriyet Dönemi Türkiye Ansiklopedisi (C. 6). İstanbul: İletişim Yayınları.
- Özalp, N. (1992). Türk Müsîkîsi Beste Formları. Ankara: TRT Yayınları.
- Özkan, İ. H. (1998). Türk Müsîkîsi Nazariyatı ve Usûlleri Kudüm Velveleleri (5. Baskı). İstanbul: Ötüken Neşriyat.
- Öztuna, Y. (1976). Türk Musiki Ansiklopedisi II. İstanbul: Millî Eğitim Basımevi.
- Sefer, E. (2012). XIX. yüzyılda batılılaşmanın Türk musikisi'ne etkileri. İstanbul Teknik Üniversitesi Sosyal Bilimler Enstitüsü, Türk Müziği Anasanat Dalı, Türk Müziği Programı, Yüksek Lisans Tezi.
- Sözer, V. (1986). Müzik ve Müzisyenler Ansiklopedisi. İstanbul: Remzi Kitabevi.
- Şenocak, E. (2012). Tarihi süreç içinde Türk müziğinde şarkı formu. Haliç Üniversitesi Sosyal Bilimler Enstitüsü, Türk Musikisi Anasanat Dalı, Yüksek Lisans Tezi.
- Tanrıkörur, C. (2019). Osmanlı Dönemi Türk Müsîkîsi (5. Baskı). İstanbul: Dergâh Yayınları.
- Tohumcu, A. (2009). Türk müziği terminolojisinde yozlaşma/örnek olay analizi: şarkı formu. 38. İcanas Uluslararası Asya ve Kuzey Afrika Çalışmaları Kongresi Bildirileri, 711-718, Ankara: Atatürk Kültür, Dil ve Tarih Yüksek Kurumu.

- Tüfekçiođlu, S. (2019). Osmanlıda yenilikçi hareketlerle birlikte Türk mûsikîsine eklenen yeni türler ve bu türlerin teori-pratik ikilemi. *Journal of Institute of Fine Arts*, 42, 173-182. <https://doi.org/10.32547/ataunigsed.523556>
- Uçan, A. (2015). Geçmişten Günümüze Günümüzden Geleceğe Türk Müzik Kültürü (3. Basım). Ankara: Evrensel Müzik ve Yayınevi.
- Ünsal, N. 1992. Hacı Arif Bey'in şarkı formu açısından musikimizdeki yeri. İstanbul Teknik Üniversitesi Sosyal Bilimler Enstitüsü, Doktora Tezi.
- Yahya Kaçar, G. (2012). Türk Mûsikîsi Rehberi (2. Baskı). Ankara: Maya Akademi.
- Yavaşca, A. (2002). Türk mûsikîsi'nde kompozisyon ve beste biçimleri. İstanbul: Türk Kültürüne Hizmet Vakfı Yayınları.
- Yener, S. (2014). Türk mûsikîsi ve Türk kimliği. *Yeni Türkiye*, 57, 11-20.
- Yılmaz, A. 1994. Türk mûsikîsi'nde şarkı formu (dođuşu ve gelişimi). İstanbul Teknik Üniversitesi Sosyal Bilimler Enstitüsü, Yüksek Lisans Tezi.
- Yücel, H. (2023). "Türk Mûsikîsi'nde "Şarkı" ve Nikoğos Ađa'nın Şarkılarına Genel Bir Bakış", *Müzik Kültürüne Dair Çeşitli Görüşler XII* (ed. Haluk Yücel & Serda Türkel Oter). Ankara: Eğitim Yayınevi.
- Web Kaynakları**
- Türk Dil Kurumu Sözlükleri. Erişim 8 Şubat 2024. <https://sozluk.gov.tr/>

ERZURUM GELENEKSEL KONUTLARI ESKİ VE YENİ MEKANSAL KURGULARININ GÖRÜNEBİLİRLİK BAĞLAMINDA İNCELENMESİ

Muhammet Metehan SULAN

Bursa Technical University, Faculty Of Architecture and Design, Department of Architecture
ORCID ID: 0009-0009-4543-6637

Asst. Prof. Dr. Ender ŞEN

Bursa Technical University, Faculty Of Architecture and Design, Department of Architecture
ORCID ID: 0000-0002-5267-5132

ÖZET

Erzurum kenti coğrafi konumu nedeniyle tarih boyunca stratejik ve jeopolitik öneme sahip olmuştur. Yerleşim tarihi çok eski zamanlara dayanan kentte, iklimsel şartlara adapte olan farklı yaşam alanları tarihsel süreç içerisinde değişmiş ve gelişmiştir. Kent tarihi boyunca kent için önemli dokulardan olan ve yere özgü mekânsal yapılarıyla dikkat çeken Erzurum geleneksel konutları bünyesinde farklı mekânsal özellikler barındırmaktadır. Bu özellikler orada yaşanan sosyal ve kültürel hayatla evrimleşmiş ve gelişmiştir. Çalışmada, Erzurum geleneksel konutlarının mekânsal özelliklerinin konut plan düzlemine olan etkisinin yanı sıra sosyal ve kültürel etkileri de program analizleri kullanılarak konutların eski ve yeni plan kurgusu üzerinden incelenmiş ve mekânları daha iyi algılamamızı sağlayan görünebilirlik kavramı üzerinden karşılaştırma yapılmıştır. Çalışma kapsamında restorasyon proje mantığına uygun bir şekilde güncel müdahalelerin yapıldığı belirlenen bazı geleneksel Erzurum konutlarının, restitüsyon (ilk dönem), rölöve ve restorasyon (son dönem) projeleri incelenmiş ve bu projeler üzerinden mekanların görünebilirliğindeki değişimler ve bu değişimlere etki eden mekânsal faktörler incelenmiş sonuçları eski-yeni mekân kurgusu şeklinde karşılaştırılmıştır. Çalışma ile geleneksel Erzurum konutlarının mekan organizasyonlarının altında yatan yaşamsal faaliyetlerin sosyal ve kültürel altyapısı, yapılan mekânsal analizlerle ortaya konmuştur. Bu geleneksel yapıların eski-yeni plan tiplerindeki değişimler ve bu değişimlerle birlikte yeniden işlevlendirilmiş yapıların görünürlük değerlerinin mekânı nasıl etkilediği irdelenmiştir. İncelenen konut planlarında eski plan kurguları üzerinden yapılan analizler sonucunda konutların büyük çoğunluğunda sosyal yaşamın da etkisiyle günlük yaşamın sürdürüldüğü iç avlular (sofa) ve tandır evi (ocak-mutfak) mekan organizasyonunu biçimlendiren en önemli mekanlar olarak tespit edilmiştir. Aynı konutların yeniden işlevlendirilmiş plan kurguları üzerinden yapılan analizler sonucunda müdahalelerle birlikte sofa mekanının merkezi mekan olmaktan çıktığı gözlemlenmiştir. Çalışma, Erzurum geleneksel konutlarının yeniden işlevlendirilmesinde mekânsal kurgu planlanırken tasarımcılara destek olacak nitelikte olması sebebiyle önemli görülmektedir.

Anahtar Kelimeler: Erzurum, Mekan Dizim, Mekânsal Analiz, Geleneksel Konut

EXAMINATION OF OLD AND NEW SPATIAL CONSTRUCTIONS OF ERZURUM TRADITIONAL HOUSES IN THE CONTEXT OF VISIBILITY

ABSTRACT

Erzurum has been of strategic and geopolitical importance throughout history due to its geographical location. In the city, which dates back to ancient times, different living spaces adapted to climatic conditions have changed and developed in the historical process. Erzurum traditional dwellings, which are important textures for the city throughout the history of the city and attract attention with their site-specific spatial structures, contain different spatial features. These features have evolved and developed with the social and cultural life lived there. In this study, the effects of the spatial features of Erzurum traditional houses on the plan plane of the dwelling as well as their social and cultural effects were examined through the old and new plan fiction of the houses using program analysis and a comparison was made through the concept of visibility, which allows us to better perceive the spaces. Within the scope of the study, the restitution (first period), survey and restoration (last period) projects of some traditional Erzurum houses, where current interventions were made in accordance with the restoration project logic, were examined and the changes in the visibility of the spaces and the spatial factors affecting these changes were examined through these projects and the results were compared in the form of old-new space fiction. The study reveals the social and cultural infrastructure of the vital activities underlying the spatial organization of traditional Erzurum houses through spatial analysis. The changes in the old-new plan types of these traditional buildings and how the visibility values of the re-functionalized buildings with these changes affect the space were examined. As a result of the analysis made on the old plan constructions of the examined housing plans, it was determined that the inner courtyards (sofa) and the tandoor house (stove-kitchen), where daily life is carried out with the effect of social life in the vast majority of the houses, are the most important spaces that shape the space organization. As a result of the analysis of the re-functionalized plan designs of the same houses, it was observed that the sofa space ceased to be the central space with the interventions. The study is considered important as it will support designers in planning the spatial organization in the re-functionalization of Erzurum traditional houses.

Keywords: Erzurum, Space Syntax, Spatial Analysis, Traditional Housing

GİRİŞ

İnsan sosyal ve kültürel yapısıyla yaşadığı yeri şekillendirirken, yaşadığı çevreyle de sosyal ve kültürel kimliğini kazanır. Yani mekanlar; bireylerin ve toplumların sosyokültürel yapılarının bilgi ve anlamlarını içeriyorsa, onları da etkiler ve şekillendirir. Bu yönüyle mekân, kişiliğin aynası olarak görülebilmekte ve kent bağlamında kent mekânı, toplumun aynası olarak değerlendirilebilmektedir.

Her bina toplumun ve içinde yaşayanların belirli gereksinimlerine cevap vermek için, bulunduğu çağın inşaat tekniklerinden ve malzemelerinden faydalanarak belirli bir fiziksel mekânın etrafını sarmasıyla oluşturulmuştur. Bu mekân içinde yaşayan insanların sınırlandırılıp belirginleştirilmesi sonucu mimari mekân oluşur. (Altan 2012)

İnsanların en çok yaşadığı ve en çok vakit geçirdiği yer olarak gördüğü yer elbette ki kendi evidir. Gelenek, sosyal ve ekonomik çevre ne olursa olsun, kentsel ve kırsal alanlarda herkes kendini korumak ister. Bu nedenle yüzyıllardır insanlar evlerini kendi ihtiyaç ve yeteneklerine göre şekillendirmiştir. Bu anlamda mekânsal örgütlenme ile toplumsal yapı arasındaki ilişkinin en belirgin olduğu çalışma alanlarından biri de ev içi mekândır. Araştırmalar ile konutların mekansal düzenlemeleri ile sosyal ve kültürel bilgileri yansıttığı ve farklı kültürlerin farklı mekansal örüntülerle temsil edildiği fikri giderek önem kazanmaktadır. Mimari mekanlardan biri olan konut mekânı, birçok kültürel farklılıklardan dolayı farklı yaşamsal alanlar tanımlar. Kültürel farklılıkların yanı sıra mekanlar coğrafi ve iklimsel faktörler gibi birçok koşulun sonucunda da yöreden yöreye değişime ve farklılaşmaya başlamıştır.

“Görünür alan, mekânsal bir ortam hakkında sezgisel düşünmenin etkili bir yoludur. Çünkü görünür alanlar, mekânı algılayan, etkileşim içinde olan ve mekân içinde hareketi sağlayan mekâna ait tekil bakış noktalarından mekânın tanımlanmasını sağlar” (Turner, 2001). Bu doğrultuda görünürlük analizi, farklı mekanların eski ve yeni durumları arasında belirli ihtiyaçlar doğrultusunda zamanla özgün yapıya eklemlenen mekanların yapı kurgusu üzerindeki görünür mekanlara ve yapı kullanımının değişimine etkisini ortaya çıkarmaya yarayan yöntemdir. Bu sonuçlar doğrultusunda mekanlarda yaşayan veya yaşamakta olan kullanıcıların mekân algıları bilimsel bir şekilde ele alınır.

Tarihi Erzurum evlerinin mekanları arasındaki geçişlerin, kullanıcı-mekân arasındaki kullanım yoğunluğunun ve mekanlar arasındaki bağların kültürel altyapıdan nasıl etkilendiği anlaşılır.

ARAŞTIRMA VE BULGULAR

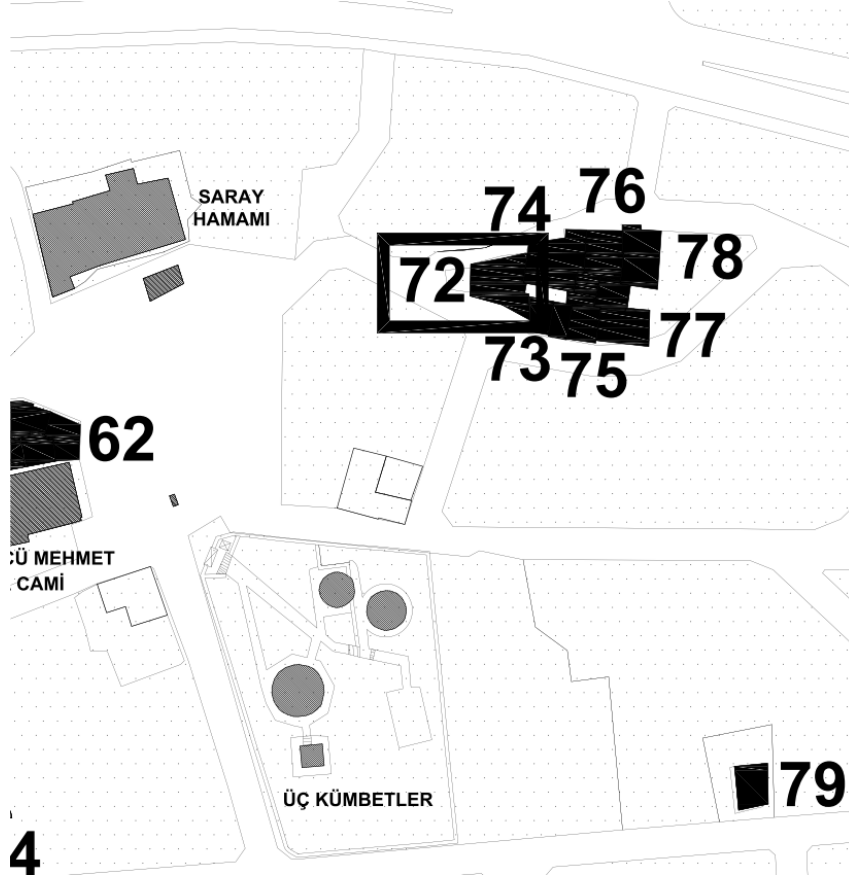
Geleneksel Tarihi Erzurum Evleri'nin plan düzlemindeki eski ve yeni hallerini mekânı kullanan kişilerin mekânı algılamada ve kullanımının değişimi üzerindeki farklılaşmalarının incelenmesinde görünür alan yöntemleri kullanılmıştır. Analizler sonucunda plan düzlemindeki eski ve yeni durumun mekânın kullanımındaki karakteristik yapıyı ne şekilde etkilediğini görünür alan yöntemleri üzerinden anlatılarak Geleneksel Tarihi Erzurum Evleri'nin görünür alan yapılarının eski ve yeni durumlarının rölöve ve restitüsyon çizimleri aracılığıyla ayrı ayrı analizi yapılacak ve devamında birbirleri ile karşılaştırılmıştır.

Çalışmada Geleneksel Erzurum Tarihi Evleri'nin görünür alan analizleri Turner'in geliştirdiği "Depthmap X" yazılımı kullanılarak yapılmıştır. Farklı girdi ve çıktılar karşılaştırılması ile konutların plan tiplerindeki değişimlerin mekân algısı üzerindeki etkisi grafiksel anlatımlarla ve karşılaştırmalarla desteklenmiştir.

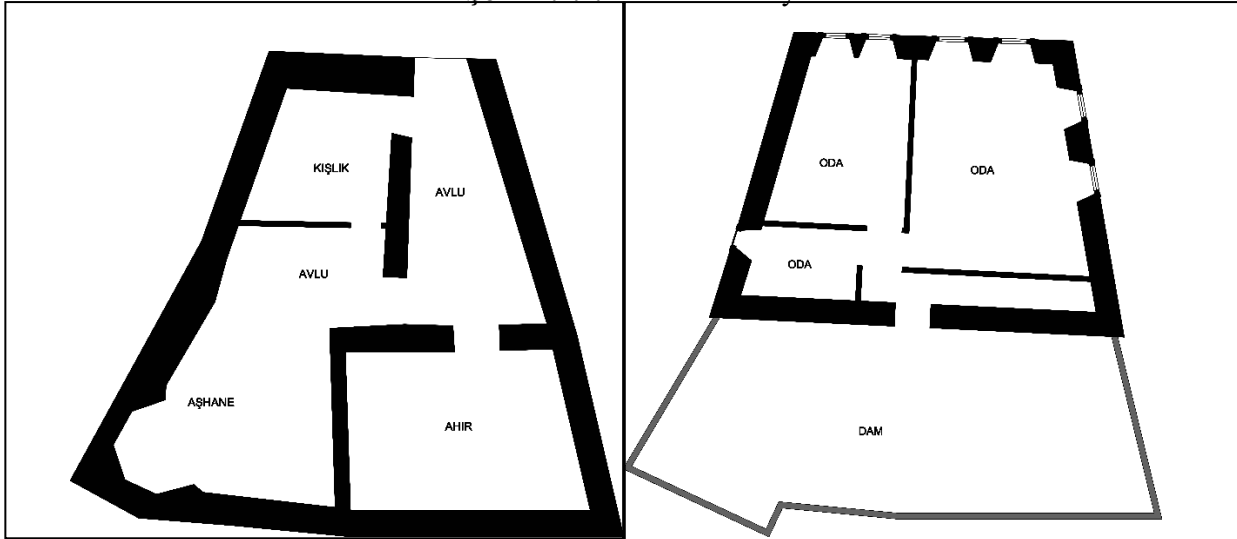
ALAN ÇALIŞMASI: GELENEKSEL ERZURUM EVLERİNDE GÖRÜNÜR ALAN ANALİZLERİ

Konut 1

Konut Yakutiye ilçesine bağlı Sultanmelik Mahallesinde bulunur. İncelenen konut yapısı vaziyet planında bulunan 72 numaralı yapıdır. Konutun bulunduğu alan sit alanı içerisinde bulunup tarihi simgelerden olan üç kümbetlerin bulunduğu mevkiye yakındır, günümüzde restorasyonu yapılan yapılar arasındadır.

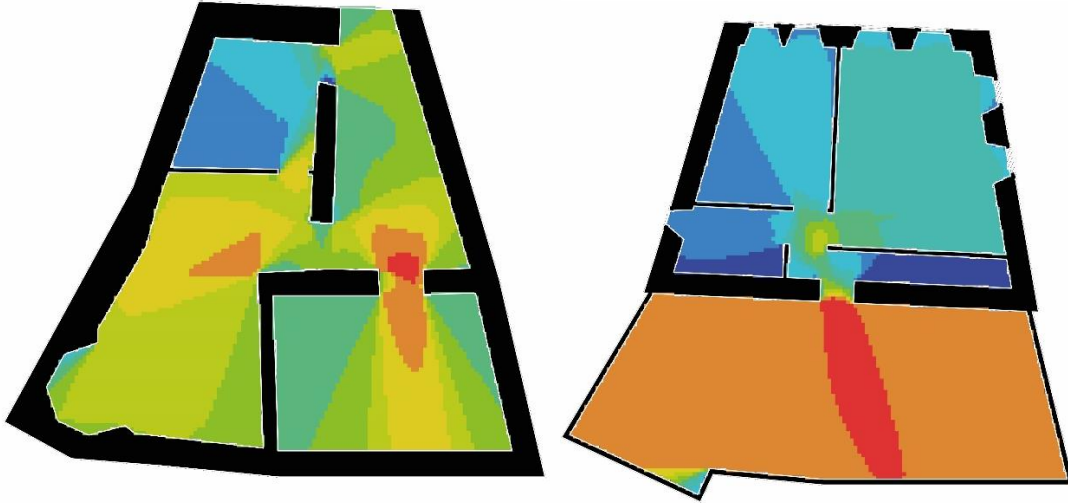


Şekil 2.1.1.1 Konut 1 Vaziyet Planı



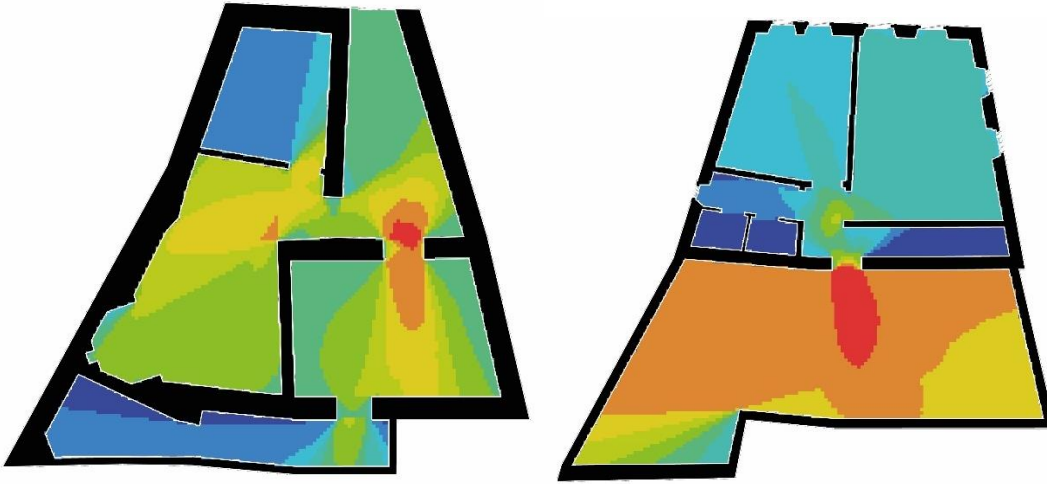
Şekil 2.1.1.2 Zemin Kat – 1.Kat Planı

Yapı iki katlı olarak inşa edilmiştir. Yapı katları arasındaki sirkülasyon düşeyde merdiven ile sağlanmaktadır. Yapı zemininde bulunan küçükbaş hayvanlar için yapılan ahır mekanı bulunmaktadır.



Şekil 2.1.1.3 Konut 1'in Eski Mekan Kurgusunun Alan Bütünleşme Haritası

Konut 1 Eski Mekan bütünleşme grafiğine bakıldığında en bütünleşik alanların kırmızı en ayırışık alanların ise mavi renkte olduğunu görebiliriz. Ortalama görünür alan değeri 3,27 dir. Zemin katta bulunan en bütünleşik alan 4,18 değeri ile giriş-avlu alanı, 1. Katta ise 3,91 değeri ile dam kısmıdır. Konutun en ayırışık alanı ise 1. Katta bulunan avlunun çıkış kısmıdır.

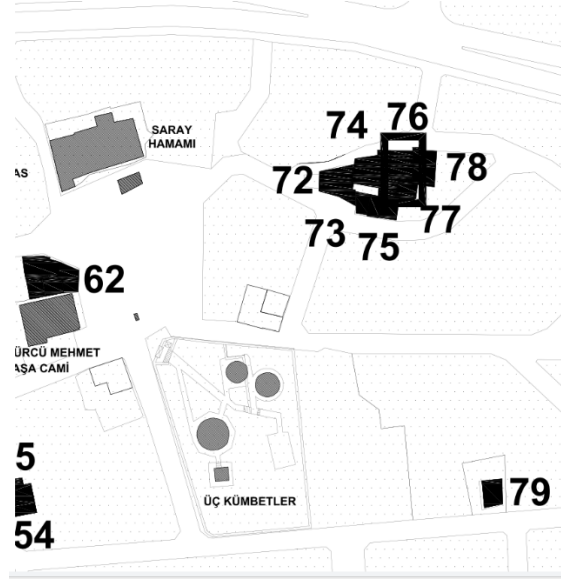


Şekil 2.1.1.4 Konut 1'in Yeni Mekan Kurgusunun Alan Bütünleşme Haritası

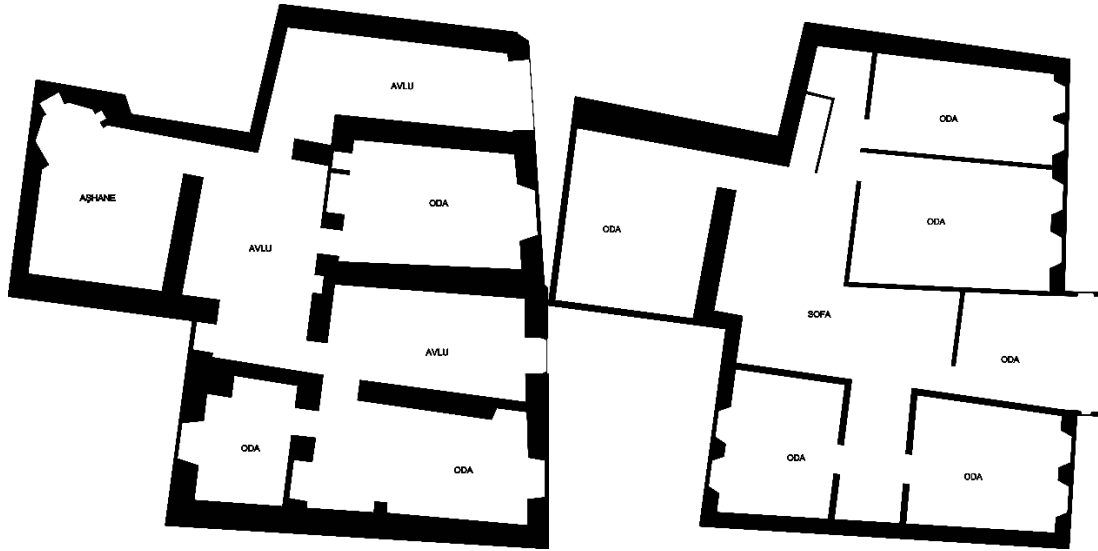
Konut 1 Yeni Mekan bütünleşme grafiğine bakıldığında en bütünleşik alanların kırmızı en ayırışık alanların ise mavi renkte olduğunu görebiliriz. Ortalama görünür alan değeri 3,19 dur. Zemin katta bulunan en bütünleşik alan 4,13 değeri ile giriş-avlu alanı, 1. Katta ise 6,96 değeri ile dam kısmıdır. Konutun en ayırışık alanı ise 1. Katta bulunan wc mekandır.

Konut 2

Konut Yakutiye ilçesine bağlı Sultanmelik Mahallesinde bulunur. İncelenen konut yapısı vaziyet planında bulunan 76 numaralı yapıdır. Konutun bulunduğu alan sit alanı içerisinde bulunup tarihi simgelerden olan üç kümbetlerin bulunduğu mevkiye yakındır, günümüzde restorasyonu yapılan yapılar arasındadır.

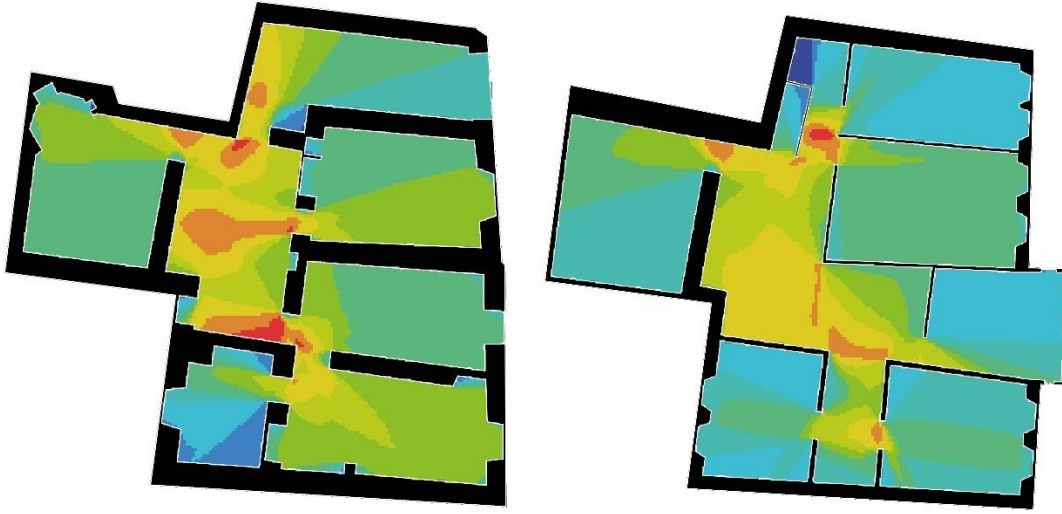


Şekil 2.1.2.1 Konut 2 Vaziyet Planı



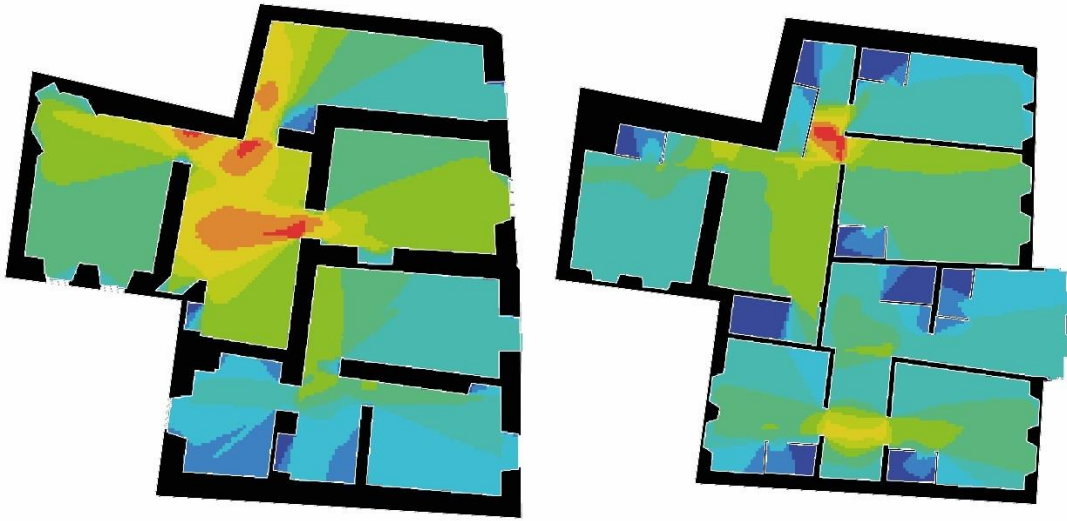
Şekil 2.1.2.2 Zemin Kat- 1.Kat Planı

Yapı iki katlı olarak inşa edilmiştir. Yapı katları arasındaki sirkülasyon düşeyde merdiven ile sağlanmaktadır. Oldukça büyük olan yapı birçok sayıda oda bulundurmaktadır.



Şekil 2.1.2.3 Konut 2'in Eski Mekan Kurgusunun Alan Bütünleşme Haritası

Konut 2 Eski Mekan bütünleşme grafiğine bakıldığında en bütünleşik alanların kırmızı en ayırışık alanların ise mavi renkte olduğunu görebiliriz. Ortalama görünür alan değeri 2,97 dir. Zemin katta bulunan en bütünleşik alan 5,06 değeri ile sofa alanı, 1. Katta ise 6,62 değeri ile sofa kısmıdır. Konutun en ayırışık alanı ise 1. Katta bulunan merdiven alanının arka kısmıdır.



Şekil 2.1.2.4 Konut 2'in Yeni Mekan Kurgusunun Alan Bütünleşme Haritası

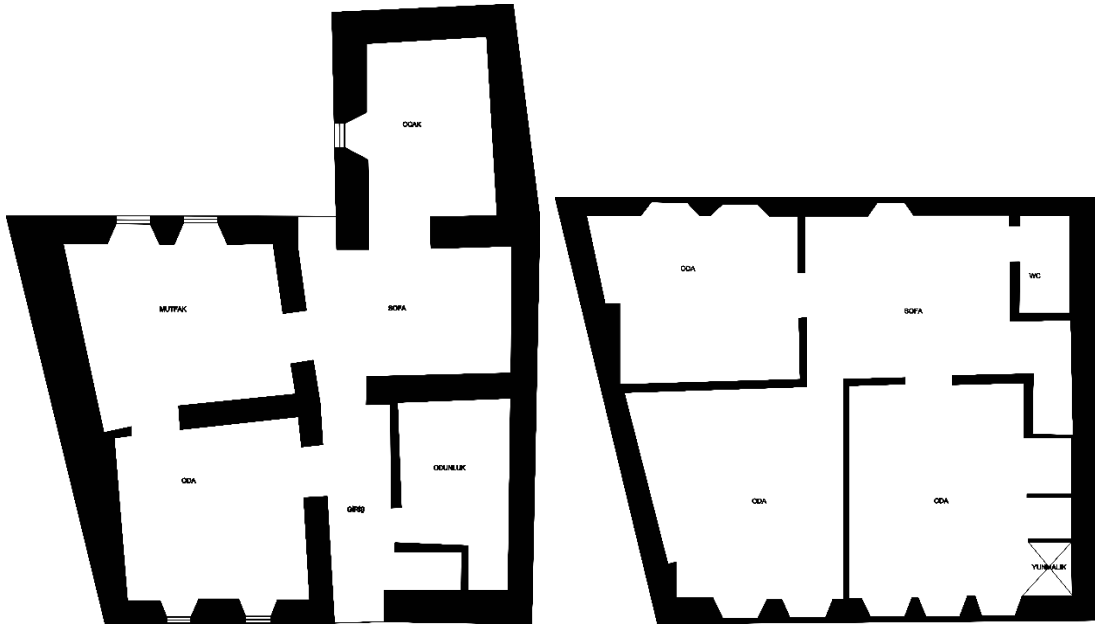
Konut 2 Yeni Mekan bütünleşme grafiğine bakıldığında en bütünleşik alanların kırmızı en ayırışık alanların ise mavi renkte olduğunu görebiliriz. Ortalama görünür alan değeri 2,38 dir. Zemin katta bulunan en bütünleşik alan 4,93 değeri ile sofa alanı, 1. Katta ise 5,55 değeri ile sofa kısmıdır. Konutun en ayırışık alanı ise 1. Katta bulunan wc kısmıdır.

Konut 3

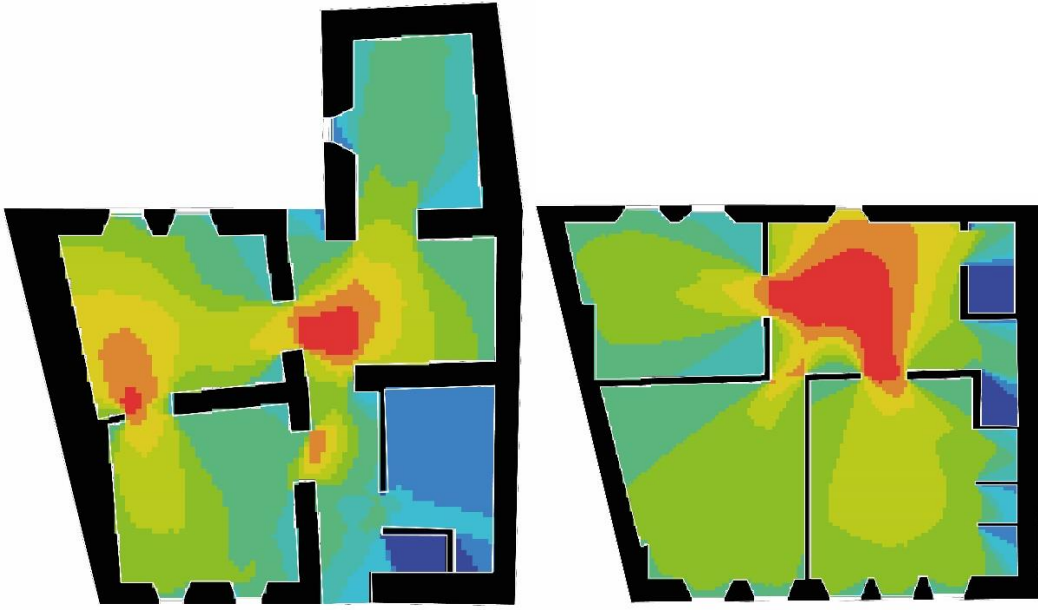
Konut Yakutiye ilçesine bağlı Yeğenağa Mahallesinde bulunur. İncelenen konut yapısı vaziyet planında bulunan 21 numaralı yapıdır. Konutun bulunduğu alan sit alanı içerisinde kültür yolu olarak planlanan alanda bulunuyor.



Şekil 2.1.3.1 Konut 3 Vaziyet Planı

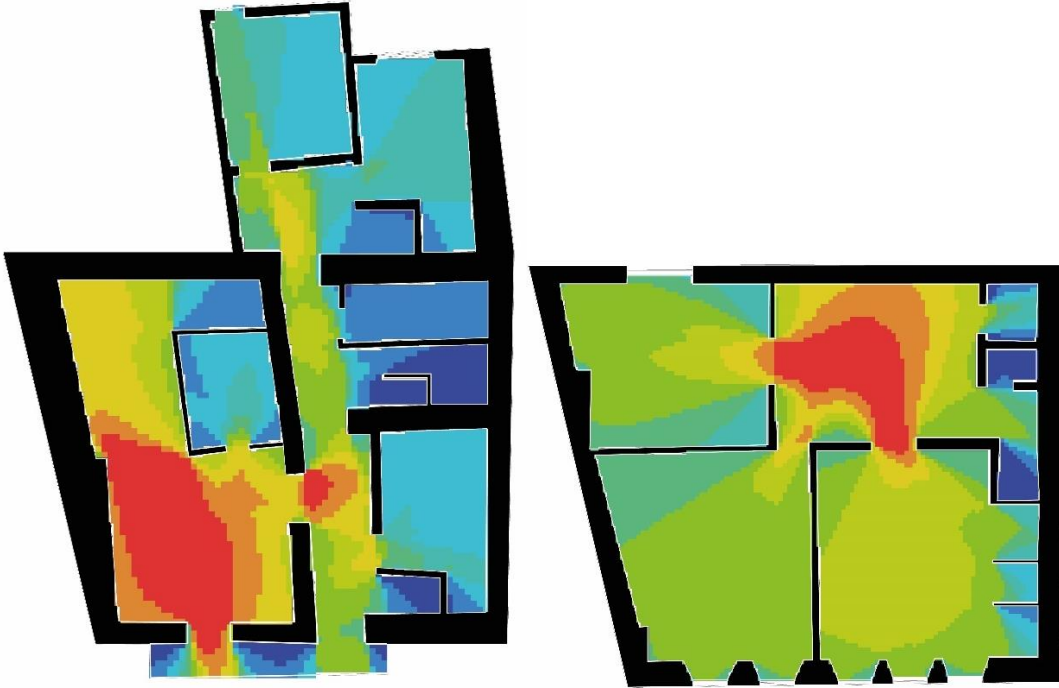


Şekil 2.1.3.2 Zemin Kat- 1.Kat Planı c



Şekil 2.1.3.3 Konut 3'ün Eski Mekan Kurgusunun Alan Bütünleşme Haritası

Konut 3 Eski Mekan bütünleşme grafiğine bakıldığında en bütünleşik alanların kırmızı en ayırışık alanların ise mavi renkte olduğunu görebiliriz. Ortalama görünür alan değeri 2,59 dır. Zemin katta bulunan en bütünleşik alan 2,78 değeri ile sofa alanı, 1. Katta ise 6,30 değeri ile sofa kısmıdır. Konutun en ayırışık alanı ise zemin katta bulunan wc mekanıdır.



Şekil 2.1.3.4 Konut 3'ün Yeni Mekan Kurgusunun Alan Bütünleşme Haritası

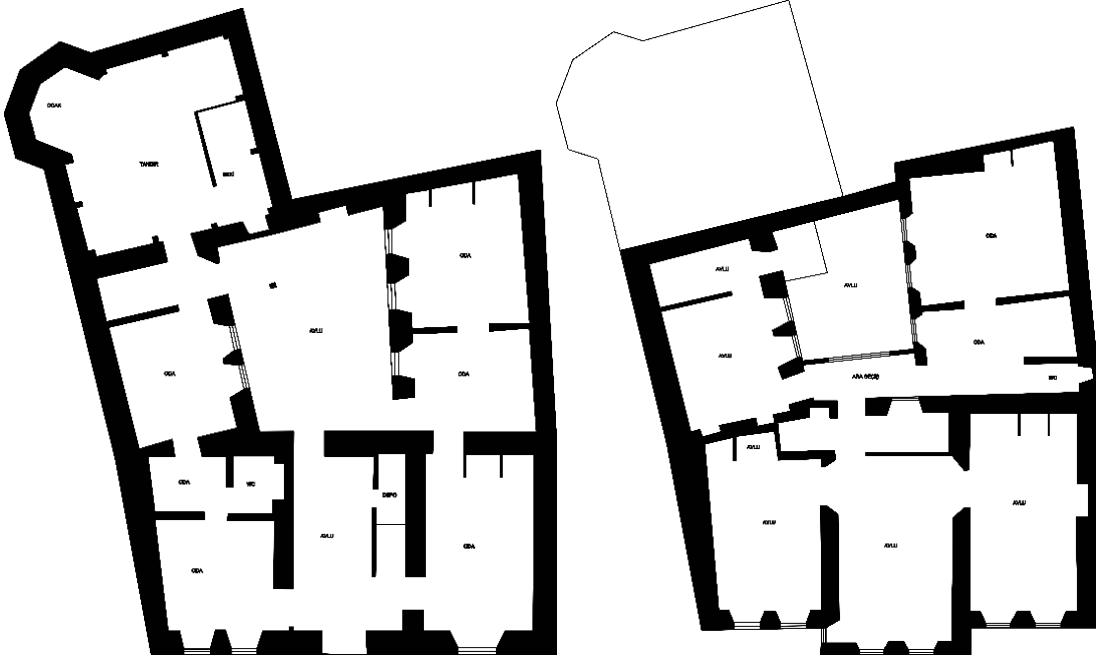
Konut 3 Yeni Mekan bütünleşme grafiğine bakıldığında en bütünleşik alanların kırmızı en ayrışık alanların ise mavi renkte olduğunu görebiliriz. Ortalama görünür alan değeri 1,87 dir. Zemin katta bulunan en bütünleşik alan 1,68 değeri ile sonradan işlevlendirilen dükkan kısmıdır, 1. Katta ise 4,95 değeri ile sofaadır. Konutun en ayrışık alanı ise 1.katta katta bulunan wc mekanıdır.

Konut 4



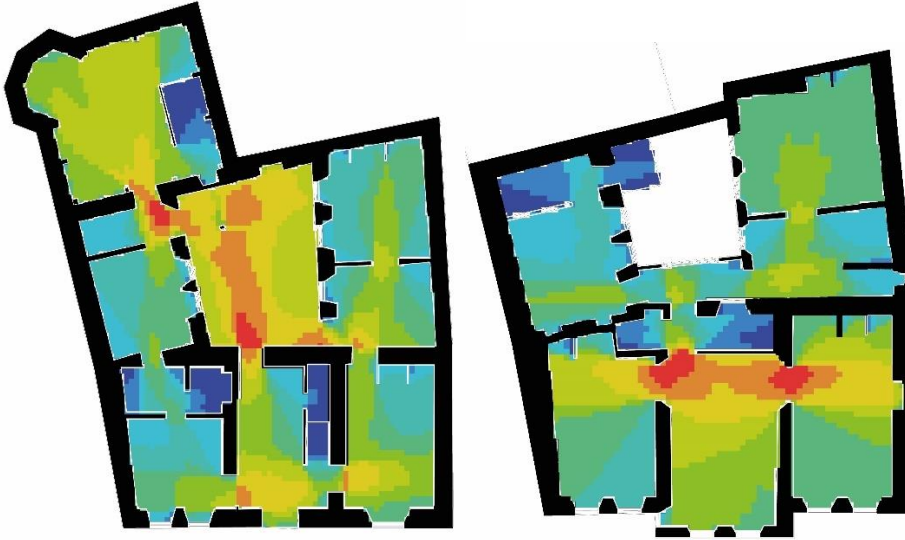
Şekil 2.1.4.1 Konut 4 Vaziyet Planı

Konut Yakutiye ilçesine bağlı Yeğenağa Mahallesiinde bulunur. İncelenen konut yapısı vaziyet planında bulunan kırmızı renk ile boyalı yapıdır. Konutun bulunduğu alan sit alanı içerisinde kültür yolu olarak planlanan alanda bulunuyor.



Şekil 2.1.4.2 Zemin Kat- 1.Kat Planı

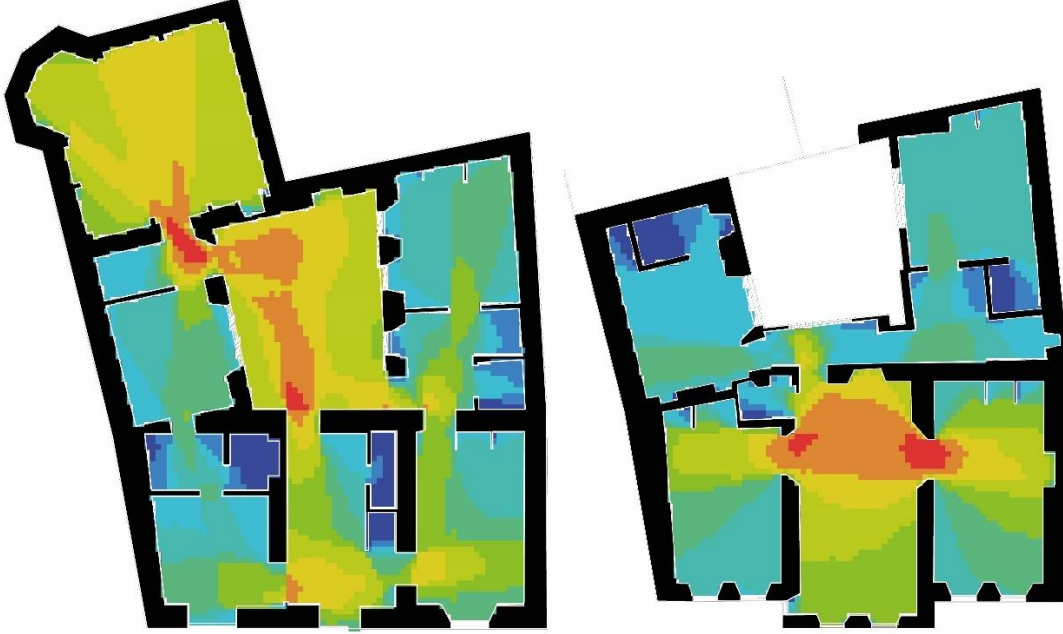
Yapı iki katlı olarak inşa edilmiştir. Yapı katları arasındaki sirkülasyon düşeyde 2 merdiven ile sağlanmaktadır. Oldukça büyük olan yapı birçok sayıda oda bulundurmaktadır. Bunun yanında yapı içerisinde iki kat boyunca çalışan avlu kısmı vardır. Üst katta boşluk olarak hizmet veren avlu alt katta diğer mekanların açıldığı kısımdır.



Şekil 2.1.4.3 Konut 4'ün Eski Mekan Kurgusunun Alan Bütünleşme Haritası

Konut 4 Eski Mekan bütünleşme grafiğine bakıldığında en bütünleşik alanların kırmızı en ayrışık alanların ise mavi renkte olduğunu görebiliriz. Ortalama görünür alan değeri 0,67 dir.

Zemin katta bulunan en bütünleşik alan 1,36 değeri ile avlu alanı, 1. Katta ise 1,27 değeri ile sofa kısmıdır. Konutun en ayırışık alanı ise zemin katta bulunan wc mekanıdır.

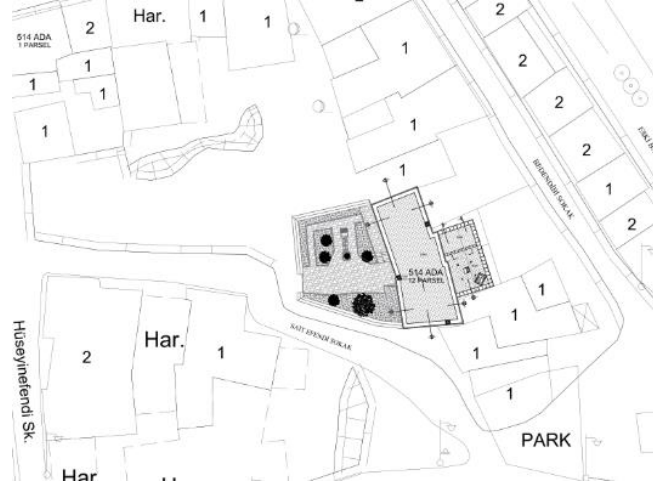


Şekil 2.1.4.4 Konut 4'ün Yeni Mekan Kurgusunun Alan Bütünleşme Haritası

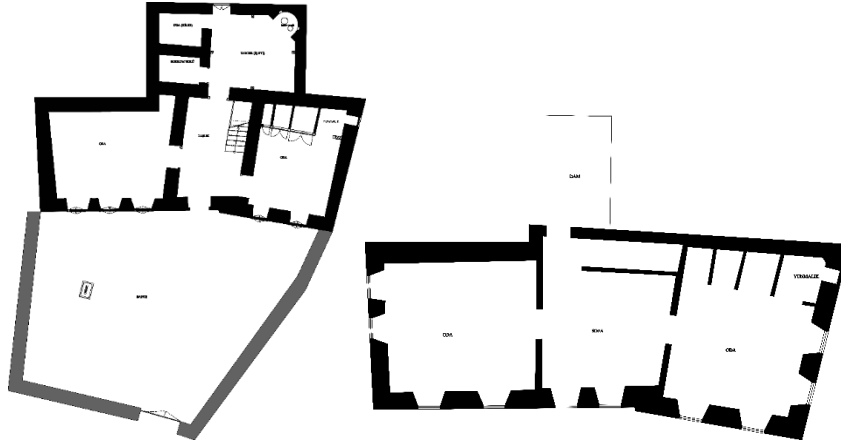
Konut 4 Yeni Mekan bütünleşme grafiğine bakıldığında en bütünleşik alanların kırmızı en ayırışık alanların ise mavi renkte olduğunu görebiliriz. Ortalama görünür alan değeri 0,84 dır. Zemin katta bulunan en bütünleşik alan 1,68 değeri ile avludan tandirevine geçiş alanı, 1. Katta ise 1,64 değeri ile sofa kısmıdır. Konutun en ayırışık alanı ise zemin katta bulunan wc mekanıdır.

Konut 5

Konut Yakutiye ilçesine bağlı Mirza Mehmet mahallesinde bulunur. Bahçeli ve bodrumlu bir plan kurgusu olan yapı 3 katlı olup sirkülasyon düşeyde merdivenle sağlanmıştır. Bodrum kata erişim sağlanmadığı için yapılan analizlerde bodrum kata yer verilmemiştir. 1.katta bulunan yunmalık mekanı da yine yapı özgü nitelikler barındıran mekanlar arasındadır.

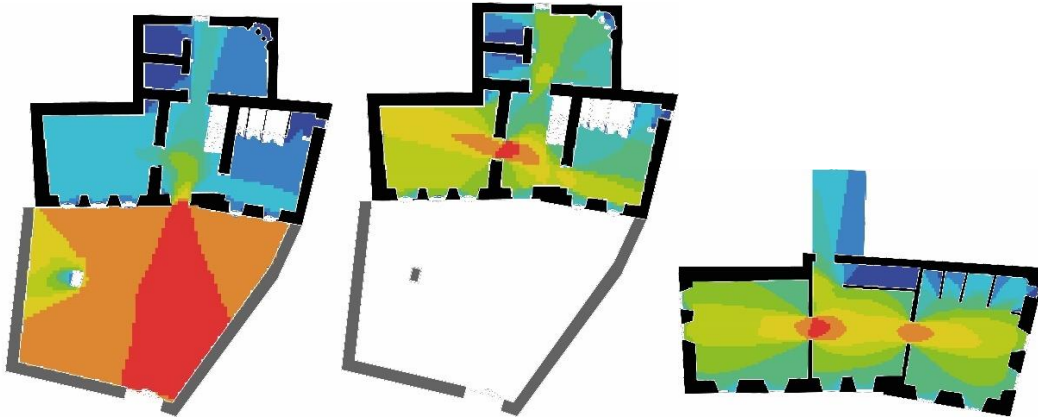


Şekil 2.1.5.1 Vaziyet Planı



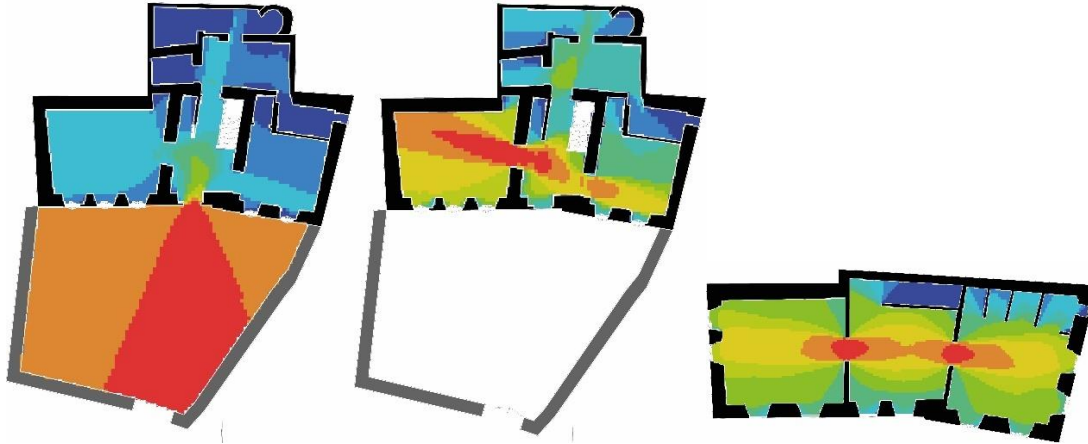
Şekil 2.1.5.2 Zemin Kat- 1.Kat Planı

Yapı bahçeli yapı konumunda bulunduğundan dolayı bahçeli (dışlı) ve bahçesiz (dışsız) olarak gruplandırılarak ayrı ayrı analizleri yapılmıştır.



Şekil 2.1.5.3 Konut 5'in Eski Mekan Kurgusunun Dışlı ve Dışsız Alan Bütünleşme Haritası

Konut 4 Eski Mekan bütünleşme grafiğine bakıldığında en bütünleşik alanların kırmızı en ayırışık alanların ise mavi renkte olduğunu görebiliriz. Ortalama görünür alan değeri 1,26 dır. Dışlı planda zemin katta bulunan en bütünleşik alan 3,88 değeri ile bahçe, dışsız planda zemin katta bulunan en bütünleşik alan 1,41 değeri ile sofa, 1. Katta ise 1,32 değeri ile sofa kısmıdır. Konutun en ayırışık alanı ise zemin katta bulunan kiler (depo) mekanıdır.



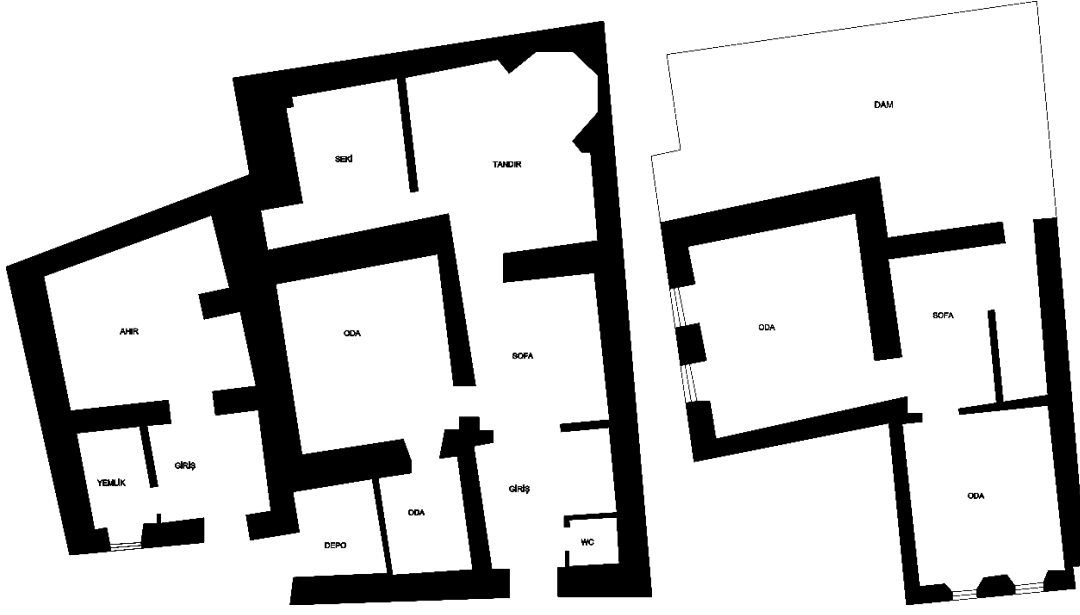
Şekil 2.1.5.4 Konut 5'in Yeni Mekan Kurgusunun Dışlı ve Dışsız Alan Bütünleşme Haritası

Ortalama görünür alan değeri 1,21 dır. Dışlı planda zemin katta bulunan en bütünleşik alan 3,97 değeri ile bahçe, dışsız planda zemin katta bulunan en bütünleşik alan 1,25 değeri ile oda, 1. Katta ise 1,50 değeri ile sofa kısmıdır. Konutun en ayırışık alanı ise zemin katta bulunan kiler (depo) mekanıdır.

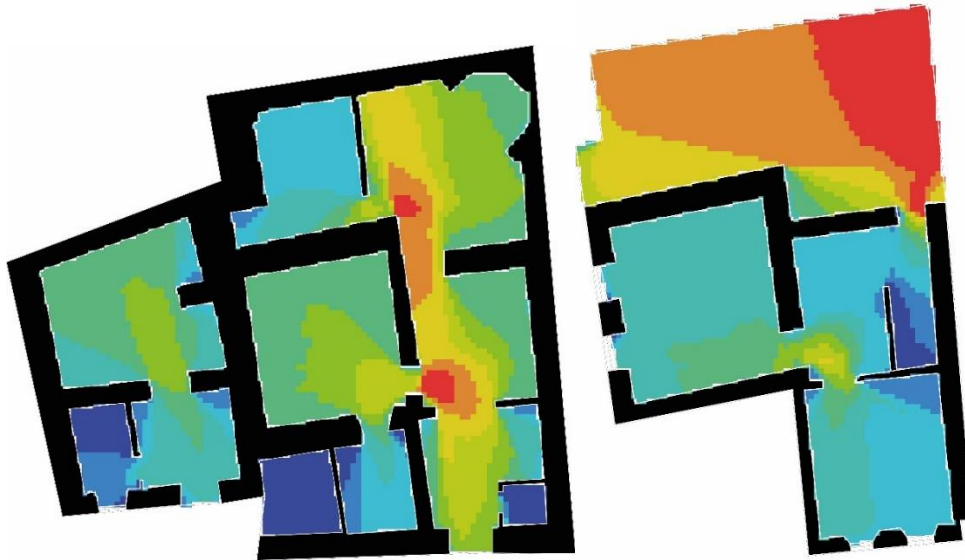
Konut 6

Konut Yakutiye ilçesine bağlı Camiikebir mahallesinde bulunur. Yapı katları arasındaki sirkülasyon düşeyde merdiven ile sağlanmaktadır. Yapı besicilik için gerekli olan ahır mekanını barındıran yapı olmasına rağmen mekanlar bütünlük içerisinde değildir.



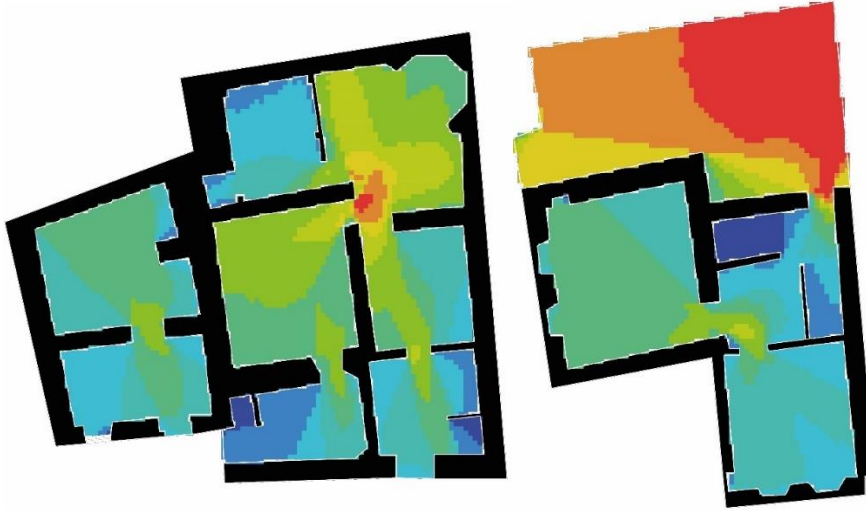


Şekil 2.1.6.2 Zemin Kat- 1.Kat Planı



Şekil 2.1.6.3 Konut 6'nın Eski Mekan Kurgusunun Alan Bütünleşme Haritası

Konut 6 Eski Mekan bütünleşme grafiğine bakıldığında en bütünleşik alanların kırmızı en ayrışık alanların ise mavi renkte olduğunu görebiliriz. Ortalama görünür alan değeri 1,21 dir. Zemin katta bulunan en bütünleşik alan 1,73 değeri ile sofa alanı, 1. Katta ise 2,51 değeri ile dam kısmıdır. Konutun en ayrışık alanı ise zemin katta bulunan wc mekanıdır.



Şekil 2.1.6.4 Konut 6'nın Yeni Mekan Kurgusunun Alan Bütünleşme Haritası

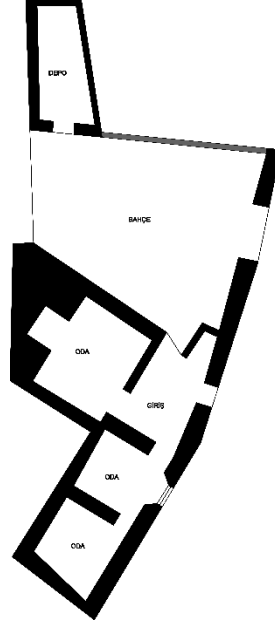
Ortalama görünür alan değeri 1,09 dır. Zemin katta bulunan en bütünleşik alan 1,92 değeri ile tandır alanı, 1. Katta ise 2,15 değeri ile dam kısmıdır. Konutun en ayırışık alanı ise 1. Katta sonradan eklenen banyo mekanıdır.

Konut 7



Şekil 2.1.7.1 Vaziyet Planı

Konut Yakutiye ilçesine bağlı Camiikebir mahallesinde bulunur. Yapı tek katlı olup bahçeli yapılar grubundadır. Oldukça küçük olan yapı 3 oda ve 1 depodan oluşur. Tarihi Erzurum Kalesinin bulunduğu konuma komşu olan yapı günümüzde yerinde değildir.

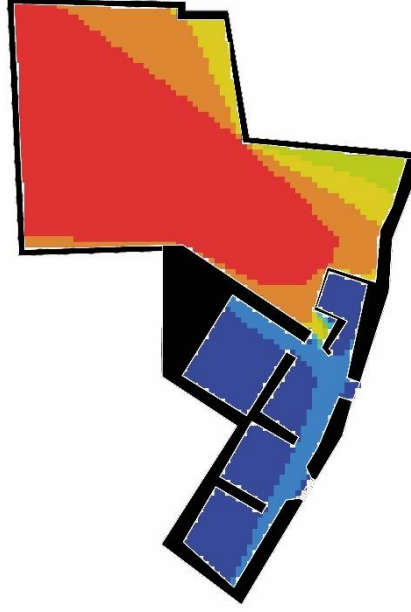


Şekil 2.1.7.2 Kat Planı



Şekil 2.1.7.2 Konut 7'nin Eski Mekan Kurgusunun Alan Bütünleşme Haritası

Konut 7 Eski Mekan bütünleşme grafiğine bakıldığında en bütünleşik alanların kırmızı en ayrışık alanların ise mavi renkte olduğunu görebiliriz. Ortalama görünür alan değeri 0,78 dır. Zemin katta bulunan en bütünleşik alan 1,30 değeri ile bahçe alanıdır. Konutun en ayrışık alanı ise zemin katta bulunan son odadır.



Şekil 2.1.7.2 Konut 7'nin Yeni Mekan Kurgusunun Alan Bütünleşme Haritası

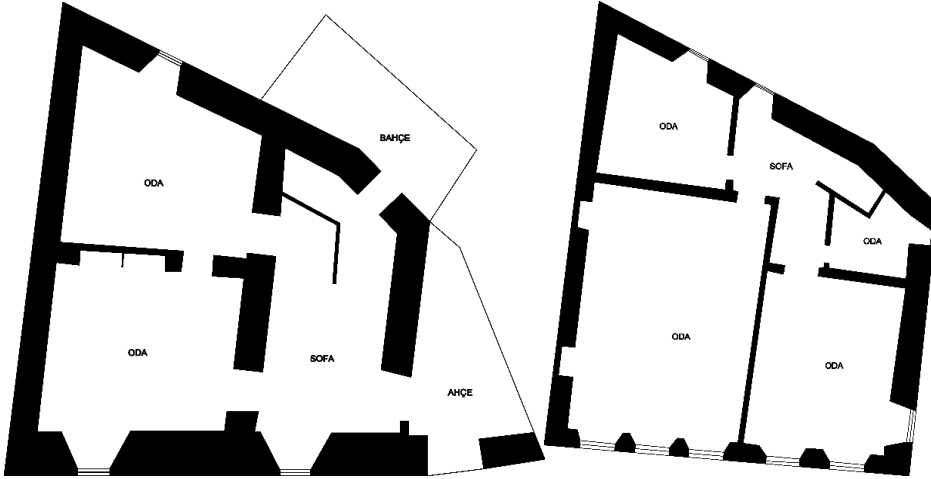
Ortalama görünür alan değeri 1,79 dır. Zemin katta bulunan en bütünleşik alan 2,50 değeri ile bahçe alanıdır. Konutun en ayırışık alanı ise zemin katta bulunan son odadır.

Konut 8

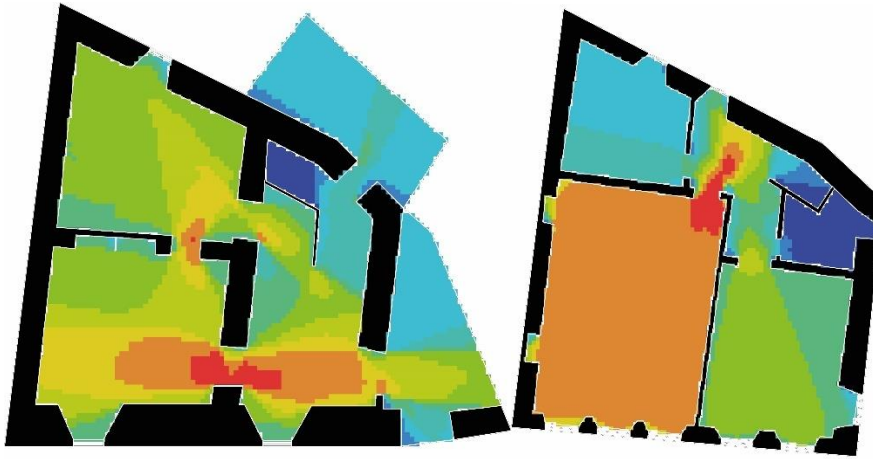


Şekil 2.1.8.1 Vaziyet Planı

Konut Yakutiye ilçesine bağlı Camiikebir mahallesinde bulunur. Yapı katları arasındaki sirkülasyon düşeyde merdiven ile sağlanmaktadır.

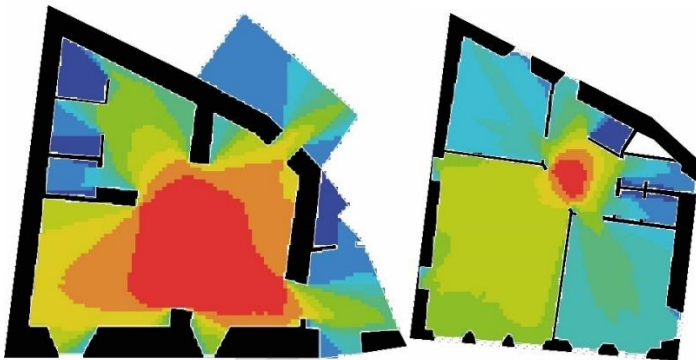


Şekil 2.1.8.2 Zemin Kat- 1.Kat Planı



Şekil 2.1.8.2 Konut 8'in Eski Mekan Kurgusunun Alan Bütünleşme Haritası

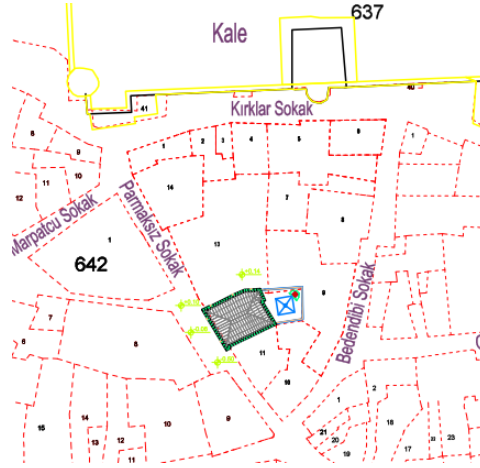
Konut 8'in Eski Mekan bütünleşme grafiğine bakıldığında en bütünleşik alanların kırmızı en ayrışik alanların ise mavi renkte olduğunu görebiliriz. Ortalama görünür alan değeri 1,60 dır. Zemin katta bulunan en bütünleşik alan 2,50 değeri ile sofa ,1.katta ise 2,95 değeri ile oda mekanıdır. Konutun en ayrışik alanı ise zemin katta bulunan odadır.



Şekil 2.1.8.3 Konut 8'in Yeni Mekan Kurgusunun Alan Bütünleşme Haritası

Ortalama görünür alan değeri 1,94 dır. Zemin katta bulunan en bütünleşik alan 3,58 değeri ile sofa, 1.katta ise 3,57 ile sofa mekanıdır. Konutun en ayırışık alanı ise zemin katta bulunan depo mekanıdır.

Konut 9

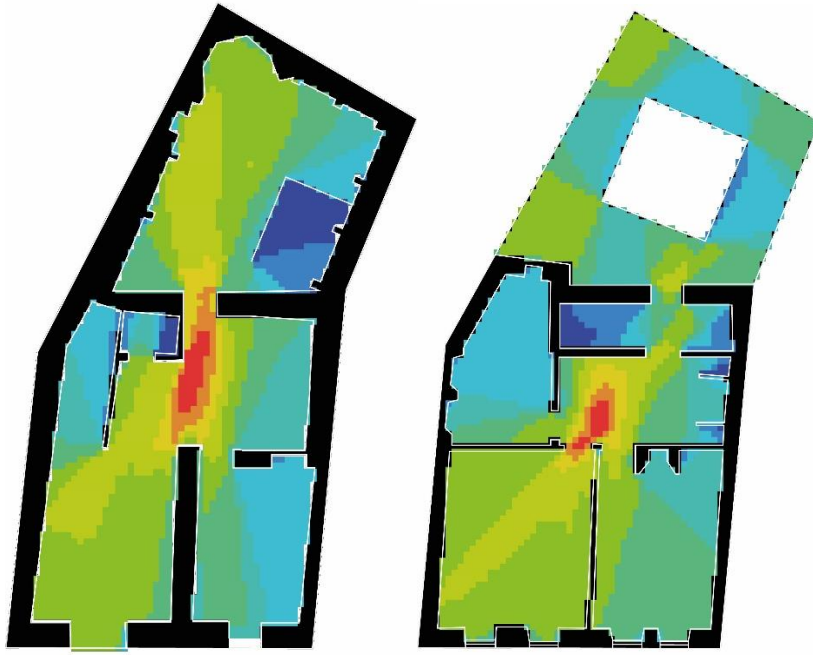


Şekil 2.1.9.1 Vaziyet Planı

Konut Yakutiye ilçesine bağlı Camiikebir mahallesinde bulunur. Tarihi Erzurum Kalesinin bulunduğu konuma komşudur. Yapı katları arasındaki sirkülasyon düşeyde merdiven ile sağlanmaktadır.

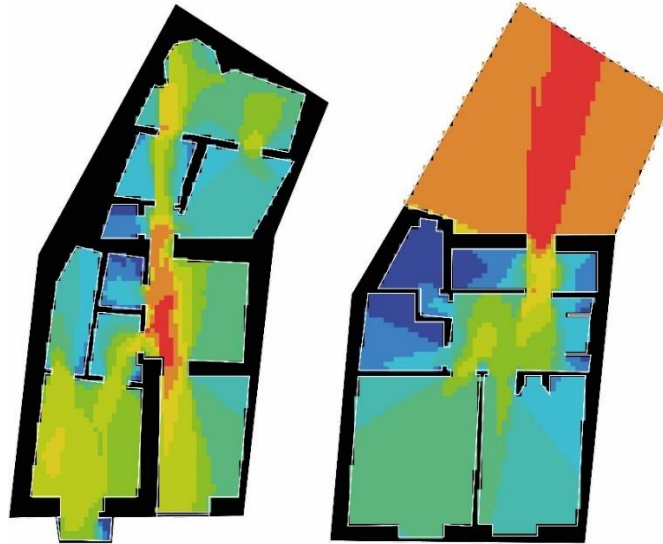


Şekil 2.1.9.2 Zemin Kat- 1.Kat Planı



Şekil 2.1.9.3 Konut 9'un Eski Mekan Kurgusunun Alan Bütünleşme Haritası

Konut 8'in Eski Mekan bütünleşme grafiğine bakıldığında en bütünleşik alanların kırmızı en ayrışık alanların ise mavi renkte olduğunu görebiliriz. Ortalama görünür alan değeri 0,77 dir. Zemin katta bulunan en bütünleşik alan 1,84 değeri ile sofa ,1.katta ise 1,34 değeri ile sofa mekanıdır. Konutun en ayrışık alanı ise zemin katta bulunan wc'dir.



Şekil 2.1.9.4 Konut 9'un Yeni Mekan Kurgusunun Alan Bütünleşme Haritası

Ortalama görünür alan değeri 0,87 dir. Zemin katta bulunan en bütünleşik alan 1,20 değeri ile sofa, 1.katta ise 1,95 değeri ile dam mekanıdır. Konutun en ayrışık alanı ise 1. katta bulunan dipteki odadır.

ALAN ÇALIŞMASI: KONUTLAR GÖRÜNÜR ALAN DEĞERLERİ

KONUTLAR	ESKİ			YENİ		
	ORT	MİN	MAKS	ORT	MİN	MAKS
KONUT 1	3,27	0,46	6,45	3,19	0,14	6,96
KONUT 2	2,97	0,29	6,62	2,38	0,18	5,55
KONUT 3	2,59	0,18	6,30	1,87	0,08	4,95
KONUT 4	0,67	0,04	1,36	0,84	0,05	1,68
KONUT 5	1,26	0,02	3,88	1,21	0,02	3,97
KONUT 6	1,21	0,44	2,51	1,09	0,08	2,15
KONUT 7	0,78	0,12	1,30	1,79	0,04	2,50
KONUT 8	1,60	0,17	2,95	1,94	0,07	3,58
KONUT 9	0,77	0,05	1,84	0,87	0,05	1,95

Şekil 2.2.1 Konutlar Görünür Alan Değerleri**3. SONUÇ**

Erzurum geleneksel konutlarının mekanlar arasındaki bütünsellik durumunun sosyal ve kültürel altyapısını, sosyal yaşamın mekanlar üzerindeki etkisini belirtmek amacıyla tez kapsamında incelenen eski-yeni mekansal kurgularının karşılaştırıldığı konutlar görünürlük ilişkileri üzerinden incelenmiş ve karşılaştırılmıştır. Oluşturulan veriler konutların zemininde yatan sosyal ve kültürel altyapıyı ortaya çıkarmış ve konutlara daha sonradan eklenen veya değiştirilen kurgusunun konut kullanımındaki altyapı üzerindeki etkisi görünür alan yöntemi ile karşılaştırılmış farklılaşan yönleri ortaya konmuştur.

Analizleri yapılan geleneksel Erzurum konutlarının çekirdeğinde sofa veya avlu mekanının olduğu ve diğer mekanların çoğunun avluya veya sofaya açıldığı görülmüştür. Bu konutlardaki sofa kurgusu hem sosyal yapıdaki zemini oluşturur hem de mekanların birbirine bağlanma ve bütüncül hareket etmesinde yüksek görev üstlenir. Tüm bunlara ek olarak sofa, geleneksel konutlarda hem ilk karşılama mekanı hem de yapıyı sokağa bağlayan bir işlev yüklenir.

Mekansal analizler sonucunda bütünleşme grafiklerinde de görüldüğü üzere genel olarak en ayrışik mekanların depolar, tuvaletler ve ahırlar olduğu, en bütünleşik mekanların ise sofa, dam, avlu gibi mekanların olduğu görülmektedir.

Çalışma kapsamında genel olarak incelenen yapıların hem ilk yapıldığı haldeki mekan kurgusu incelenmiş hem de son durumdaki mekan kurgusunun eklemeler ve çıkarmalarla plan kurgusunun nasıl değiştiği karşılaştırılarak analiz edilmiştir.

Yapılan araştırmalar ve grafiksel analitmler sonucunda geleneksel Erzurum konutlarında sofa, avlu ve bahçeli planlı konutlarda bahçe en bütünleşik mekanlar olduğu ortaya çıkmıştır. Orjinal ve ilk plan tiplerinde bu veriler konutların birçoğunda genel olarak aynı mekanlarda seyrederken, planlaması değiştirilmiş, yapı içerisinde yapılan mekansal eklemeler ve çıkarmalar sonucunda plan düzleminde değişime uğramış güncel planlı yapılarda bu mekanların görsel bütünlükleri bozulmuş, azalmış veya başka mekanlara kaydığı görülmektedir. Bunun sonucunda da yapılara yapılan müdahalelerin yapı üzerindeki etkisini ve yapıdaki sosyal altyapıyı nasıl ve ne denli değiştirdiğinin sonuçları incelenmiştir.

Görünebilirlik analizinin yapı üzerindeki restorasyon çalışmalarına olan etkisinin ve yapılan müdahalelerin nasıl bir sonuç doğurabileceği üzerindeki analizleri doğrultusunda verilen kararların mekansal düzlemdeki etkisi araştırılarak yapılmasının doğru olduğu, ortaya konulabilecek kanılar arasındadır.

Geleneksel Erzurum konutlarındaki yaşam alanları, kullanıcılarının kültürel ve sosyal izlerini taşır. Mekânsal düzenleme bu sosyal ve kültürel izlerden oluşan bir bütündür. Mekansal analize bilimsel olarak nesnel sonuçlar veren görünür mekan yöntemleri, geleneksel konutlardaki sosyal ve kültürel yapıları ortaya koymaktadır. Görünür mekan yöntemleri, sadece mevcut yapıların analiz edilmesi ve yorumlanması için değil, restorasyonu yapılacak olan yapılarda ve tasarım aşamasında görsel ve mekânsal bağlamda daha işlevsel mekanlar yaratmak için önemlidir.

KAYNAKÇA

ALTAN İ.,2012. Mimarlıkta Mekan Kavramı

ALTAŞ, N.K., 2013 Kentsel Dönüşümde Kültürel Miras Değerlerinin Korunması: Erzurum Örneği

ATAK, Ö., 2009. Mekânsal Dizim ve Görünür Alan Bağlamında Geleneksel Kayseri

ATATÜRK ÜNİVERSİTESİ SOSYAL BİLİMLER ENSTİTÜSÜ DERGİSİ NİSAN 2018 TARİHİ

Yolların Buluştuğu Erzurum Şehrindeki Beşeri Turistik Eserler

GÜNDOĞDU M.,2014. Mekan Dizimi Analiz Yöntemi Ve Araştırma Konuları

KORKMAZ, S., 2011. Buca Konutlarının Mekân Dizimi Ve Görünür Alan Analizi

KAYSERİLİ, A., 2011. Erzurum Şehri'nin Kültürel Coğrafyası ,Atatürk Üniversitesi Sosyal Bilimler Enstitüsü Coğrafya Anabilim Dalı

ŞEN, E., 2014. Bitlis Geleneksel Konutlarının Zeydan Mahallesi Ölçeğinde Mekânsal Dizim Ve Görünür Alan Bağlamında İncelenmesi, Dicle Üniversitesi Fen Bilimleri Enstitüsü

TAŞDAN, E., 2023 Tarihi Kent Dokusunda Yeni Yapının Değerlendirilmesi:Erzurum Arkeoloji Müzesi Örneği, Atatürk Üniversitesi Fen Bilimleri Enstitüsü Mimarlık Ana Bilim Dalı

GÜNCEL YARGITAY KARARLARI ÇERÇEVESİNDE LİMİTED ORTAKLIKLARDA ORTAĞIN ÇIKMASI VE ÇIKARILMASI

Dr. Öğr. Gör. İbrahim Akan ÖZDEMİR
Gaziantep Üniversitesi Hukuk Fakültesi
ORCID ID: 0000-002-8146-0775

ÖZET

Limited ortaklıklar uygulamada en yaygın ve en çok tercih edilen ortaklık olarak görülmektedir. Bu tercihin sebeplerinden biri, yasanın “ortaklar ortaklık sermayesiyle sınırlı olan sorumludur” şeklinde ifade ettiği, yani limited ortaklık ortakların şahsi malvarlıklarına dair sorumluluklarının söz konusu olmaması olarak ifade edilebilir. Limited ortaklıkta ortağın pay devrinin genel kurul onayına tabi olması, bunun yanında ortaklık sözleşmesiyle pay devrinin yasaklanması ihtimalleri, ortaklar arasındaki güven unsurunun bu ortaklık türünde daha ön planda olduğunu göstermektedir. Hatta limited ortaklıklar bu yönüyle bir anlamda şahıs ortaklıklarına yaklaşmaktadır. Ancak bu yakın güven ilişkisi beraberinde bazı durumlarda çıkma açısından dürüstlük kuralı ve kişilik haklarına aykırılığa, diğer yönüyle çıkarılma açısından ise bir ortağın diğer ortaklar üzerinde olumsuz etki oluşturacak davranışlarının doğumuna sebebiyet verebilmektedir. Söz konusu ihtimaller dikkate değer sonuçlar da oluşturabilmektedir. Bu yönüyle özellikle haklı sebebe dayalı olarak çıkma ve çıkarılma davası açılabilme açısından “kişisel sebeplerin” limited ortaklıklarda haklı sebep teşkil edebilmesi mümkündür. Ayrıca bu davanın “her ortak” (bazı durumlarda da ortaklık) tarafından açılabilme imkanı, konunun anonim ortaklıklar açısından düzenlendiği hükümler ile karşılaştırılma açısından önem arz etmektedir. Limited ortaklıklarda ortağın çıkma ve çıkarılması kavramı, üzerinde oldukça eser verilmiş bir konudur. Ancak Yargıtay’ın söz konusu kavrama ilişkin kararlarının takibi, böylesi dinamik ve canlı bir hukuki platformda, ortaya çıkacak muhtemel yeni durumlar karşısında konunun ilgililerince hukuki anlamda daha kolay pozisyon alabilme imkanı getirecektir. Çalışmamızın temel motivasyonu da bu güncellenme ihtiyacından kaynaklanmaktadır.

Anahtar Kelimeler: Limited Ortaklık, Çıkma, Çıkarılma, Haklı Sebep.

WITHDRAWAL AND EXCLUSION OF A PARTNER IN LIMITED PARTNERSHIPS WITHIN THE FRAMEWORK OF CURRENT SUPREME COURT DECISIONS

ABSTRACT

Limited partnerships are seen as the most common and most preferred partnerships in practice. One of the reasons for this choice can be expressed as the fact that limited partnership partners are not responsible for their personal assets, which is stated in the law as "partners are liable limited to the partnership capital". The fact that the share transfer of the partner in a limited partnership is subject to the approval of the general assembly, as well as the possibility of prohibiting the share transfer with the partnership agreement, shows that the element of trust between the partners is more prominent in this type of partnership. In fact, limited partnerships are, in a sense, closer to sole proprietorships. However, in some cases, this close relationship of trust may lead to violations of the rule of honesty and personal rights in terms of exit, and on the other hand, it may lead to behaviors of a partner that will have a negative impact on other partners in terms of dismissal. These possibilities can also create remarkable results. In this respect, it is possible for "personal reasons" to constitute a justified reason in limited partnerships, especially in terms of filing a suit for quitting or dismissal based on just cause. In addition, the possibility of this lawsuit can be filed by "each partner" (in some cases, the partnership) is important in terms of comparison with the provisions regulating the issue in terms of joint stock companies. Following the decisions of the Supreme Court regarding the concept in question will enable those concerned to take a legal position more easily in the face of possible new situations that may arise in such a dynamic and lively legal platform. The main motivation of our study stems from this need for updating.

Keywords: Limited Partnership, Withdrawal, Exclusion, Just Cause.

GİRİŞ

Limited ortaklıklarda ortağının ortaklık payı devrinin genel kurul onayına tabi olması yanında, ortaklık sözleşmesiyle pay devrinin yasaklanması ihtimali, ortaklar arasındaki güven unsurunu ön plana çıkardığı gibi, böylece bu ortaklık türünün şahıs ortaklıklarına yaklaşan niteliğini ortaya koymaktadır. Ancak ortaklar arasındaki bu yakın ilişki, beraberinde bazı durumlarda ortaklıktan çıkma açısından dürüstlük kuralı ve kişilik haklarına aykırılığa, çıkarılma açısından ise bir ortağın diğer ortaklar üzerinde olumsuz etki oluşturacak davranışlara sebebiyet verebilecektir. Bu yönüyle kişisel sebepler, özellikle haklı sebebe dayalı olarak çıkma ve çıkarılma davası açılabilme açısından limited ortaklıklarda haklı sebep teşkil

edebilecektir. Böylelikle çalışmamızın ilk bölümünde Limited ortaklıktan “çıkma” kavramı ile birlikte bu kavramın yasadan kaynaklanan, sözleşmeden kaynaklanan ve haklı sebebe dayalı sebepleri ele alınmıştır. İkinci bölümde ise, “çıkartılma” kurumu kavramı sebepleriyle birlikte ele alınmaya çalışılmıştır. Ayrıca çalışmada, Yargıtay’ın güncel kararları incelenerek, limited ortaklıkta ortağın ayrılması açısından uygulamadaki sınırların ne şekilde çizildiğine dair yaklaşımlara yer verilmiştir.

I. LİMİTED ORTAKLIKTA ÇIKMA

A. ÇIKMA KAVRAMI

Bir ortağın kendi iradesi neticesinde, ortaklık ilişkisinden ayrılması olarak nitelendirilebileceğimiz ortaklıktan çıkma¹ kavramı hususundaki en tabii durum, ortağın rızasına dayalı olarak gerçekleşmesi olacaktır. Bunun yanında ortağın ölümü gibi, rızası dışındaki bir takım istisnai durumlar da söz konusu olabilir². Ancak hemen belirtmek gerekir ki, limited ortaklıklarda ortaklar tek yanlı iradeleriyle ortaklıktan ayrılamayacak olup, ayrılmak için ortağın çıkma iradesinin “*hukuki bir temele dayanması*” gerekmektedir³.

Çıkma, bir ortağın ortaklığa karşı yönelttiği ve ulaşması gereken tek taraflı bir irade beyanı ile ortak sıfatını sona erdirmesidir. Ortak açısından kişisel ve koruyucu bir hak olan çıkma hakkı “bozucu yenilik doğuran” bir hak niteliğinde olup, bu hakkın kullanılması ile çıkan ortağın ortaklık nezdindeki tüm hak ve yükümlülükleri sona ermektedir⁴. Çıkma hakkının kullanımı temsilciye bırakılabilecektir⁵.

¹ ÇAMOĞLU (Poroy / Tekinalp), Ortaklıklar Hukuku II, Yeniden Yazılmış 13. Bası, 2017, İstanbul, s.423; TAŞDELEN, Nihat, 6102 Sayılı Türk Ticaret Kanununa Göre Limited Ortaklıklarda Çıkma Çıkarılma ve Fesih, 2012, Ankara, s.85. Haklı nedenler olmaksızın ortağın ortaklıktan ayrılması olarak nitelendirme için bkz. ERİŞ, Gönen, Ticari İşletme ve Şirketler, C.III, Güncellenmiş 3.Baskı, 2017, Ankara, s.3137; GÜRPINAR, Bünyamin, *Limited Şirkette Çıkma ve Çıkmaya Katılma*, Gazi Üniversitesi Hukuk Fakültesi Dergisi, Yıl:2016, C.20, S.2, s.77.

² TAŞDELEN, s.85; GÜRPINAR, s.77.

³ Bu temel ortaklık sözleşmesi veya yasa olabilir. ÇAMOĞLU (Poroy / Tekinalp), Ortaklıklar II, s.424.

⁴ TAŞDELEN, s.85,86; ÇAMOĞLU (Poroy / Tekinalp), Ortaklıklar II, s.424; GÜRPINAR, s.97.

⁵ GÜRPINAR, s.79,dpn.21.

B. ÇIKMA SEBEPLERİ

C. Limited ortaklıkların kuruluşunu sağlayan sözleşmelerin, sürekli borç ilişkilerini doğuran sözleşmelerden olduğundan, sona ermeleri de sözleşmenin taraflarından gelecek bir irade beyanı, yasal düzenleme veya sözleşmesel hükümler nedeniyle mümkün olacaktır⁶.

1. Yasada Düzenlenen Çıkma Sebepleri

Yasadan doğan çıkma sebepleri olarak değerlendirilen hükümler, yalnızca limited ortaklara münhasır hükümlerle sınırlı değildir. Ticari ortaklıkların tamamı için geçerli olan genel hükümlerin yanında, başkaca kanunlarda da çıkma hakkına dayanak olacak hükümler bulunmaktadır⁷.

a. Hisse Devri Yoluyla Çıkma

Ortaklıktan ayrılmanın en doğal yolu olan bu ihtimalde, yazılı şekilde yapıp imzaları noterce onaylanmış bir devir sözleşmesinden sonra, TTK m.595/2 hükmü gereğince özel bir nisaba gerek olmaksızın⁸, TTK m.620 uyarınca -kanun veya şirket sözleşmesinde aksinin öngörülmediği hallerde- genel kurulun salt çoğunluğu tarafından verilen onay kararıyla hisse devrolunmuş ve ortak açısından da çıkma gerçekleşmiş olacaktır⁹.

b. Esas Sermaye Payının Devrine Onay Verilmemesi Halinde Çıkma

Limited ortaklıklarda, TTK m.595/4 gereğince payların devrinin esas sözleşmeyle yasaklanabilmesi mümkündür. Bunun yanında pay devri yasaklanmamış olsa bile, şayet aksine düzenleme yoksa TTK m.595/3 gereğince genel kurulun pay devrine onay vermeyebilecektir. Hatta hükme göre redde dair kararda gerekçe belirtmesine gerek dahi bulunmamaktadır.

Bu ihtimallerin oluşması durumunda, çıkma talebi olan limited ortaklık ortağı ancak, TTK m.595/5' de belirtilen haklı sebeplerin varlığı iddiasına dayanabilecektir¹⁰.

⁶ ÇAMOĞLU (Poroy / Tekinalp), Ortaklıklar II, s.424.

⁷ TAŞDELEN, s.89.

⁸ eTTK m.520/2' de "Devir hususunun pay defterine kaydedilebilmesi için, ortaklardan en az dörtte üçünün devre muvafakat etmesi ve bunların esas sermayesinin en az dörtte üçüne sahip olması şarttır." şeklinde nitelikli iki nisap aranmaktayken, yeni kanunda limited ortaklık hisse devri önemli ölçüde kolaylaştırılarak özel nisap aranmaksızın onayı ortaklık genel kuruluna bırakılmıştır. ÇAMOĞLU (Poroy / Tekinalp), Ortaklıklar II, s.423.

⁹ Hisse devrinin geçerliliği, ortaklığa karşı, işlemin pay defterine kaydı ile söz konusu olup, kayıt kurucu değil açıklayıcı niteliktedir. ÇAMOĞLU (Poroy / Tekinalp), Ortaklıklar II, s.424.

¹⁰ TAŞDELEN, s.136.

c. Ortaklığın Birleşmesi Durumunda Çıkma

TTK'da ortaklık birleşmelerinin düzenlendiği bölümde m.141'in birinci fıkrasında, “Birleşmeye katılan şirketler, birleşme sözleşmesinde, ortaklara, devralan şirkette, pay ve ortaklık haklarının iktisabı ile iktisap olunacak şirket paylarının gerçek değerine denk gelen bir ayrılma akçesi arasında seçim yapma hakkı tanıyabilirler.” denilmektedir. Böylece ortaklara, devralan ortaklıktaki pay ve ortaklık haklarının karşılığını almak suretiyle çıkma hakkı tanınmıştır. Bu ihtimalde ortak tek taraflı yenilik doğuran bir bildirimle şirketten çıkma olanağına sahip olabilecektir¹¹.

Bunun yanında TTK m.141/2 gereğince “Birleşmeye katılan şirketler birleşme sözleşmesinde, sadece ayrılma akçesinin verilmesi” öngörebilecektir. Madde gerekçesinde bu ikinci fıkranın, hem çıkma ve hem de çıkarılma açısından iki yanlı kullanılabilmesi ve arzu etmeyen ortakların ayrılma akçesini alarak ortaklıktan çıkma imkânının düzenlendiği belirtilmektedir¹².

d. Ortaklığın Bölünmesi Durumunda Çıkma

TTK m.161'de “şirket paylarının ve haklarının korunması” başlığı ile “oranların korunduğu” ve “oranları korunmadığı bölünme” kavramlarını da içeren bir düzenleme yapılmıştır. Buradaki hükümlere göre bölünen ortaklığın ortakları, bölünmeye katılan ortaklıklardan bazılarında veya tamamında ortak olabileceklerdir. Ortak dilerse bölünen ortaklıktan ayrılabilir, ancak ihraç edilmesi söz konusu olamayacaktır¹³. Böylelikle ortağın ortaklıktan ayrılması karşılıklı mutabakata varılması halinde mümkün olabileceğinden artık bu hak, ortaklıktan çıkma imkânı olarak değerlendirilecektir.

TTK m.173 de düzenlendiği üzere, ortaklık genel kurulu tarafından bölünme kararının onaylanması neticesinde ortağın çıkması ise, TTK m.179/1'e göre bölünmenin ticaret siciline tescil ile geçerlik kazandığı andan itibaren hüküm ifade edecektir¹⁴.

¹¹ ÇAMOĞLU (Poroy / Tekinalp), Ortaklıklar II, s.425.

¹² Konuya ilişkin açıklamalar için bkz. s.14,15.

¹³ TTK m.161'in gerekçesinde “...bölünen şirketin ortakları bölünmeye katılan devralan şirketlerin tümünde ya da bazılarında ortak olabilir veya bölünen şirkette paylarını artırabilirler. Mutabakat varsa bölünen şirketten ayrılabilirler, ancak ihraç edilemezler.” denilmek suretiyle bu durum açıkça ifade edilmektedir. Mutabakatla ortağın çıkmasına izin verilmemesi halinde ise, ortak birleşmeye karşı olsa bile ortaklıktan çıkamayacaktır. GÜRPINAR, s.81.

¹⁴ TAŞDELEN, s.160.

e. Ortaklığın Tür Değişirmesi Durumunda Çıkma

Tür değiştirme hususunun yasada düzenlendiği TTK md. 180-190'da, tür değişikliğine karşı olan ortağın çıkmasına dair doğrudan bir düzenleme görülmektedir. Yalnızca TTK m.183'ün gerekçe bölümündeki *“Tür değiştirme bahane edilerek hiçbir ortak şirketten çıkarılamaz ve hiçbir ortağın ortaklık hakları zedelenemez, azaltılamaz ve sınırlandırılmaz.”* ifadesinden, ortaklığın tür değişikliği ihtimalinde yalnızca bu sebeple ortağın çıkarılma imkanının mümkün olamayacağı söylenebilecektir.

Ancak yasada tür değiştirmeye ilişkin düzenlemelerin yapıldığı maddelerinin hemen akabindeki ortak hükümler kısmındaki TTK m.191'de *“Birleşmede, bölünmede ve tür değiştirmede ortaklık paylarının ve ortaklık haklarının gereğince korunmamış veya ayrılma karşılığının uygun belirlenmemiş olması hâlinde, her ortak, birleşme, bölünme veya tür değiştirme kararının Türkiye Ticaret Sicili Gazetesinde ilanından itibaren iki ay içinde, söz konusu işlemlere katılan şirketlerden birinin merkezinin bulunduğu yerdeki asliye ticaret mahkemesinden, uygun bir denkleştirme akçesinin saptanmasını isteyebilir.”* ifadesi yer almaktadır. Maddede belirtilen iki aylık süre içerisinde denkleştirme akçesi talep edilebilecek ihtimal, *“ayrılma karşılığının uygun belirlenmemiş olması”* şeklinde ifade edildiğinden, burada artık çıkma imkânının ortağa kanunen -üstü kapalı bir şekilde- tanındığı söylenebilecektir¹⁵.

Burada da, tür değişikliğine karşı olup çıkma niyetindeki ortağın çıkma zamanı, tür değiştirmenin onaylanmasına dair genel kurul kararı ticaret tesciline tescil ile geçerlik kazanacağından, tescil anından itibaren hüküm ifade edecektir¹⁶.

f. Çıkmaya Katılma Yoluyla Çıkma

TTK m.639'a göre ortaklık sözleşmesinde ortaklara çıkma hakkının tanınmış olması ve ortaklardan birinin de sözleşmedeki bu hükme dayanarak *“çıkmayı istemesi”* üzerine, müdür veya müdürler gecikmeksizin bu durumdan diğer ortakları haberdar edeceklerdir¹⁷. Böylece her

¹⁵ TAŞDELEN, s.167. Çamoğlu ise aksi görüşle, bu hükmün ortaklıktan çıkma ile bir ilgisi olmadığı iddiasıyla, kanun maddesinde açıklanan davaya temel olan olguların ortakların doğrudan zarar gördüğü haller olup, böylece yasanın ortaklara tazminat kendilerine ödenmek üzere doğrudan zararlar hususunda bir tazminat davası açma hakkı tanıdığını ifade etmektedir. ÇAMOĞLU (Poroy / Tekinalp), Ortaklıklar II, s.427.

¹⁶ TAŞDELEN, s.168.

¹⁷ Haberdar etmeye yönelik bildirim, müdürlere yüklenmiş kanuni bir borç olduğu ve yazılı olarak yapılması gerektiği hususunda bkz. TEKİNALP, Tek Kişi Ortaklığı, s.382.

bir ortağın haberin ulaşmasından itibaren bir aylık hak düşümü süresi¹⁸ içerisinde, ortaklık sözleşmede öngörülen haklı sebebin¹⁹ kendisi için de geçerli olduğunu²⁰ müdürlere bildirmek kaydıyla çıkmaya katılabileceği hükme bağlanmıştır.

Katılma tek taraflı bozucu yenilik doğuran bir hak olmakla beraber²¹ kabule bağlı olmayıp kurucu etki taşımaktadır²².

Çıkmaya katılma kurumunun özellikle çıkmanın dürüstlük kuralına aykırı veya art niyetle kullanılmasını engellemeye yönelik fonksiyonu da bulunmaktadır. Örneğin çıkma talebi bazı hallerde çıkmayı talep eden ortak açısından bir zorunluluk nedeniyle olmamaktadır. Çıkma talebinde bulunan ortak, ortaklığın zor durumundan bir an evvel kurtulmak; ortaklığın kullanılabilir bir öz kaynağına el koymak; çıkmayı şahsi menfaat ve talepleri için bir tehdit olarak kullanmak gibi art niyetli amaçlarla hareket ediyor olabilir. Bu hallerde diğer ortakların da çıkmaya katılmak suretiyle -ortaklığın feshine kadar gidebilecek bir süreç nedeniyle- bu oyunu bozabilme ihtimali doğacaktır²³.

g. Çıkma Davasına Katılma Yoluyla Çıkma

TTK m.639/1 uyarınca, ortaklardan birinin “haklı sebeple çıkma davası” açması halinde de tıpkı çıkmaya katılmada olduğu gibi müdür veya müdürler bu durumu gecikmeksizin²⁴ diğer ortaklara bildireceklerdir. Her bir ortağın haberin ulaşmasından itibaren bir aylık süre içerisinde ortak sözleşmedeki öngörülen haklı sebebin kendisi için de geçerli olduğunu²⁵ ileri sürerek

¹⁸ Bu sürenin hak düşürücü süre olduğu hususunda bkz. **ÇAMOĞLU (Poroy / Tekinalp)**, Ortaklıklar II, s.431; **ERİŞ**, s.3158; **TEKİNALP**, *Çıkmaya Katılma*, s.6.

¹⁹ Buradaki “haklı sebep” ibaresinin “çıkma sebebi” olarak anlaşılması gerektiği hususunda bkz. **KENDİGELEN, Abuzer**, Yeni Türk Ticaret Kanunu Değişiklikler, Yenilikler ve İlk Tespitler, 3.Bası, 2016, İstanbul, s.554,dpn.136.

²⁰ Örneğin ortaklığın kuruluşundan itibaren beş yılın geçmiş olması halinde sürenin dolmasıyla isteyen her ortağın çıkabilmesi kararlaştırılmışsa veya 75 yaşını dolduran her ortağın böyle bir çıkma hakkını kullanabilmesi kararlaştırılmışsa, sürenin dolması veya bu yaşı dolduran ortağın buna dayanarak çıkmaya katılabilmesi mümkün olabilecektir. **ÇAMOĞLU (Poroy / Tekinalp)**, Ortaklıklar II, s.431.

²¹ **ÇAMOĞLU (Poroy / Tekinalp)**, Ortaklıklar II, s.432.

²² **TEKİNALP**, Tek Kişi Ortaklığı, s.381. Şayet ortaklık bu talebi ortağın bu hakka sahip olmadığı iddiasıyla reddetmesi halinde ortağın mahkemede açacağı bir tespit davası ile bildirim hakkını kanıtlaması gerekmektedir. Burada mahkeme kararı ise kurucu değil açıklayıcı niteliktedir. **ÇAMOĞLU (Poroy / Tekinalp)**, Ortaklıklar II, s.432.

²³ **TEKİNALP, Ünal**, *Çıkmaya Katılma*, <http://www.arсланlibilimarsivi.com/kategori/ticaret-sirketleri>

²⁴ Müdürlerin gecikme veya bildirimde bulunmaması ihmal sonucu ise ve ortakların zararına sebep olmuşsa, müdürlerin sorumluluklarına dair hükümler saklı olacaktır. **ÇAMOĞLU (Poroy / Tekinalp)**, Ortaklıklar II, s.432.

²⁵ **TEKİNALP**, *Çıkmaya Katılma*, s.4. TTK m.639 gerekçesinde bu hususla ilgili olarak, “Bu suretle arzu eden ortak kendisine eşit işlem yapılmasını talep edebilecek, bir diğer söyleyişle aynı olanaktan yararlanabilecektir. Çünkü, açılan davadaki haklı sebep sadece davacı ortak değil diğer bazı ortaklar için de geçerli olabilir.

“açacağı bir dava ile”²⁶ çıkma davasına katılabilmesi mümkün olacaktır. Bir aylık sürenin geçirilmesi halinde, süreyi geçiren ortağın kendine özgü bir haklı sebeple yeni bir dava açma hakkı bulunacaktır²⁷.

Çıkma davasına katılmak isteyen ortağın (katılma davacısının) bu davayı, ortaklık sözleşmesinin aynı hükmüne dayanarak mı yoksa sözleşmenin başka bir hükmüne dayanarak mı açabileceği hususu tartışmalıdır. TTK m.639 gerekçesinde bu hususta -öğreti ve yargı kararları ile doldurulmak üzere- yasa da bilinçli şekilde bırakılmış bir boşluk olduğu ifade edilmektedir²⁸.

2. Esas Sözleşmede Düzenlenen Sebeplere Dayalı Çıkma

TTK m.638’de “Şirket sözleşmesi ortaklara çıkma hakkını tanıyabilir, bu hakkın kullanılmasını belirli şartlara bağlayabilir” denilmektedir. Belirli şartlara bağlanabilme hususunun içeriğini ayrıca, göre çıkma hakkı veren olgu ve nedenler yanında bunların kullanılmasına dair usul ile ayrılma akçesinin türü ve tutarı da ortaklık sözleşmesinde düzenlenebileceğine dair TTK m. 577/1-k hükmü doldurmaktadır²⁹.

Davanın sadece davacı için karara bağlanması aynı durumda bulunan ortakları da olumsuz etkileyebilir. Hüküm hem menfaatler dengesine hem de dava ekonomisine de uygundur.” ifadeleri yer almaktadır. Aynı doğrultuda, çıkmaya katılmanın eşit işlem prensibi temeline dayandığı hususunda bkz. **ŞAHİN, Ayşe, Limited Şirkette Ortağın Ortaklıktan Çıkması ve Çıkarılması**, MÜHFHAD (Özel Sayı), Yıl.2012, C.18, S.2, s.853.

²⁶ Usul hukuku açısından değerlendirildiğinde, diğer ortak tarafından açılacak davanın, devam etmekte olan çıkma davası ile birleştirilmesini kastettiği anlaşılırsa da, aynı hakka sahip diğer ortakların ayrı dava açmak yerine, yargılaması devam eden çıkma davasına asli müdahil sıfatıyla katılabilecekleri de ifade edilmektedir. Her iki durumda da çıkma hakkını kullanan ortak bu hakkından vaz geçerse, çıkmaya katılan ortakların da çıkma hakları düşecek olup, ancak bağımsız bir çıkma talebi hakları saklıdır. **ÇAMOĞLU (Poroy / Tekinalp)**, Ortaklıklar II, s.432,433. Aynı doğrultuda, yasa koyucunun burada özel bir usul ve dava sistemi kabul ettiği belirtilmektedir. **ERİŞ**, s.3158; **AKER**, s.95. Sürenin hak düşürücü olduğu hususunda bkz. **ŞAHİN**, s.854.

²⁷ **AKER**, s.95.

²⁸ “Davaya katılacak ortakların aynı şirket sözleşmesi hükmüne veya aynı haklı sebebe dayanmalarının gerekli olup olmadığı, ya da başka hüküm veya haklı sebepler ileri sürülmesinin de mümkün olup olmadığı tartışması yargı kararları ile öğretiye açıktır. Tasarı, bu sorunu katı bir şekilde çözmekten bilerek kaçınmıştır.” TTK m.639 gerekçesi, (www.ticaretkanunu.net/gerekçe/). Bu konuda, ‘ortak haklı sebeplerin’ ya da ‘ortak sözleşmesel sebeplerin’ bulunmasının, çıkmaya katılmanın zorunlu koşulu olarak görülmemesi gerektiği hususunda bkz. **ŞAHİN**, s.854. Aksi görüş, sözleşmedeki başka bir sebebe dayanılması halinde artık, bu bağımsız bir çıkma hakkının kullanılması olacağından çıkmaya katılmanın söz konusu olamayacağını savunmaktadır. **ÇAMOĞLU (Poroy / Tekinalp)**, Ortaklıklar II, s.433.

²⁹ Hakkın kullanılmasının şarta bağlanabileceği konusunda, talep sahibinin kurucu sıfatını taşıması, alınan bir ihalenin tamamlanması veya ortaklığın iki yıl üst üste zarar etmesi gibi örnekler gösterilmektedir. Bu hususta akla gelen eşitlik ilkesine aykırılık ihtimali açısından ise, şirkete katılma talebini ancak bir çıkma hakkı tanınması üzerine kabul eden ortak örneğinden yola çıkarak bir değerlendirme yapılması ve eşitlik ilkesinin bu ihtimalden hareketle geniş yorumlanması gerektiği ifade edilmektedir. **ÇAMOĞLU (Poroy / Tekinalp)**, Ortaklıklar II, s.424. Burada ifade edilmesi gereken bir diğer husus ise, şayet TTK m.577/1-k da belirtildiği üzere, ayrılma akçesi tutarı belirlenmişse ve bu tutar payın gerçek değerinden çok düşükse, ortak bu durumda haklı sebeple fesih davası açabilecektir. Mahkemenin ise, sırf çıkma hakkının sözleşmede var olduğu iddiasıyla bu talebi reddetmesi; çıkarılma kararı vermesi halinde ise, TTK m. 636/3 c.2 de belirtildiği üzere payın gerçek

Böylece örneğin ortaklık sözleşmesinde öngörülmüş olması halinde limited ortaklık ortağı, bozucu yenilik doğuran nitelikteki çıkma iradesini ortaklığa ulaştırdığında³⁰ ortaklığın kabulüne gerek olmaksızın ortaklıktan çıkma imkânına sahip olabilecektir.

Ortağın sözleşmede çıkma açısından belirlenen sebep veya koşulun oluştuğuna yönelik iddiasına rağmen, ortaklığın çıkma talebinin sebep veya koşula uygun olmadığını ileri sürmesi halinde; çıkmak isteyen ortak, bir tespit davası açarak geriye etkili ve açıklayıcı hüküm doğuracak olan bir mahkeme kararıyla çıkma hakkını kullanabilecektir³¹.

Ancak burada belirtilmesi gereken husus, sözleşmesel çıkma hakkı ile payın devrinin kısıtlanması arasında doğrudan bir ilişkinin bulunmadığı hususudur. Bir taraftan payın devri ortaklık sözleşmesiyle yasaklanabilecekken, aynı sözleşmede ortağa çıkma hakkı tanınabilmesi de mümkün olabilecektir³².

3. Haklı Sebeye Dayalı Çıkma

a. Genel Olarak

Limited ortaklıklarda, -sözleşmede aksi öngörülmedikçe- pay devrinin gerçekleşmesi için ortaklık genel kurulunun onayı gerekmektedir (TTK md.595/2). Bu gerekliliğin dayanağı ise ortaklar arasındaki güçlü güven ilişkisidir³³. Bu doğrultuda ayrıca payın devrinin sözleşmeyle yasaklanması da mümkün olabilmektedir (TTK m. 595/4).

Böylelikle dürüstlük kuralı ve kişilik haklarına aykırılığın söz konusu olması halinde; ortaklık ilişkisi kendisi için dayanılmaz hal alan ortak açısından bu ilişkinin sürdürülmesinin kendisinden beklenemeyeceği nedenler olarak nitelenen³⁴ haklı sebep kavramı; ahde vefa

değerinin verilmesine hükmedebileceği ifade edilmektedir. **YILDIRIM, Ali Haydar**, Haklı Sebeye Fesih, Yenilenmiş 10. Baskı, 2014, İstanbul, s.79.

³⁰ Bu ihtimalde ortağın çıkma ânı olarak çıkma beyanının ortaklığa ulaşma tarihi kabul edilmektedir. **TEKİNALP**, Tek Kişi Ortaklığı, s.380.

³¹ **ÇAMOĞLU (Poroy / Tekinalp)**, Ortaklıklar II, s.425. Bundan farklı olarak, mahkeme kararının yenilik doğurucu nitelikte olduğu iddiasıyla çıkmanın mahkeme kararının kesinleşmesinden itibaren hüküm ifade edeceği hususunda bkz. **TEKİNALP**, Tek Kişi Ortaklığı, s.380.

³² **YILDIRIM**, s.75.

³³ **YILDIRIM**, s.71.

³⁴ Kanun haklı sebepten bahsettiği ve hukuki sonuç bağladığı yerlerin hiç birinde bu kavramın tanımını yapmadığı gibi örnek vermekten kaçınmıştır. Buna sebep ise, haklı kavramın her olaya, her ortaklığa, ortakların ve ortaklığın o andaki durumuna ve bunun gibi daha birçok görece kıstasa bağlı olmasından kaynaklandığı belirtilmektedir. **ÇAMOĞLU, Ersin**, *Anonim Ortaklığın Haklı Sebeye Feshinde Hakimın Takdir Yetkisi*, BATİDER, Yıl:2015, C.31,S.1, s.6.

kavramının önüne geçerek, ortaklığın feshi yoluna gitmeye gerek kalmaksızın çıkma hakkı kullanılarak, ihtilafın makul çözümüne dair bir imkân olarak karşımıza çıkmaktadır³⁵.

TTK m.638'e göre herhangi bir pay oranına sahip olunmasına gerek olmaksızın "her ortak" haklı sebebin varlığı iddiasıyla çıkma davası açabilecek olup, ortak açısından bu hak vazgeçilemez mutlak bir hak olacaktır³⁶. Bir davada ileri sürülen sebeplerin haklı sebep olup olmadığı ise hakim tarafından takdir edilecektir³⁷.

TTK m.638/2 c.2 gereğince, "Mahkeme istem üzerine, dava süresince, davacının ortaklıktan doğan hak ve borçlarından bazılarının veya tümünün dondurulmasına veya davacı ortağın durumunun teminat altına alınması amacıyla diğer önlemlere karar verebilir." hükmü ile mahkemenin bu önlemlere istem üzerine karar verileceği gibi re' sen de bir takım önlemlerin takdir edilebileceği anlaşılmaktadır³⁸. Örneğin mahkemece bir kayyım atanarak varlık azaltıcı işlemlerin yapılmasının kayyım onayına tabi olmasına karar verilmesi söz konusu olabileceği gibi, ortağın ortaklığa ödemekte olduğu sermaye borcu taksitlerinin dondurulması da mümkün olacaktır³⁹.

Haklı sebep kavramına ilişkin düzenleme, TTK m.245' de kollektif ortaklıklar kısmında yer almakla birlikte, bu madde düzenlemesinin limited ortaklıklar açısından da uygulanabileceği kabul edilmektedir⁴⁰.

Haklı sebebin kabulü için kusura dayalı olması gerekli olmasa da, kendi kusuru sebebi ile haklı sebebi gündeme getiren ortak, artık bu nedene dayanarak çıkma veya fesih talebinde bulunamayacaktır⁴¹.

Hâkim ileri sürülen durumun haklı sebep olup olmadığına dair hususları araştırırken, ortaklıktan çıkmanın ekonomik anlamda neden olacağı durumları da, bu takdir yetkisinin

³⁵ TAŞDELEN, s.179, 180.

³⁶ TEKİNALP, Ünal, Yeni Anonim ve Limited Ortaklıklar İle Tek Kişi Ortaklığının Esasları, 2012, İstanbul, s.379; TAŞDELEN, s.180; YILDIRIM, s. 72; GÜRPINAR, s.97.

³⁷ Haklı sebep olarak sayılabilecek durumlarla ilgili ihtimallere dair bkz. TAŞDELEN, s.185-188.

³⁸ ERİŞ, s.3137.

³⁹ ÇAMOĞLU (Poroy / Tekinalp), Ortaklıklar II, s.430.

⁴⁰ ŞAHİN, s.852; TAŞDELEN, s.183. Ancak burada ihtiyatla belirtmek gerekir ki, haklı sebebe dayalı çıkma hususunun, limited ortaklığın, sınırlı sorumluluk prensibi gereği olarak kollektif ortaklıktan farklı değerlendirilmesi ihtiyacının göz ardı edilmemesi hususunda bkz. HELVACI, Mehmet, *İki Kişilik Limited Ortaklıkta Haklı Sebeple Ortaklıktan Çıkma ve Yargıtay Görüşü Hakkında Bazı Düşünceler*, MÜHAD, Yıl:1995, C.9, S.1-3, s.374.

⁴¹ ÇAMOĞLU, Takdir Yetkisi, s.7,8; Y. 11. HD. 21.10.2015 tarih, 3992/10828 sayılı kararı.

içerisinde değerlendirecektir⁴². Bununla birlikte hâkim, hem ortağın hem de ortaklığın haklarını korumak zorunda olduğu gibi, ortaklık çalışanlarının durumunu dahi dikkate almak durumundadır⁴³.

Örneğin “ortaklığın aktif olarak faaliyet göstermediği, adresinin belli olmayıp, yapılan tebligatların ortaklıkça alınmadığı, uzun bir süredir ortaklıkça beyanname verilmediği, ortaklar kurulunun uzun bir süreden beri hiçbir şekilde toplanmadığı haller birlikte değerlendirildiğinde bu durum haklı sebep sayılarak, davacının çıkma talebinin de bu doğrultuda kabulüne karar verilebilecektir⁴⁴. Ayrıca limited ortaklıklar açısından sık görülen, ortaklıkta kâr payının hiç dağıtılmaması veya düzensiz şekilde dağıtılması da haklı sebep olarak kabul edilebilecektir⁴⁵.

Mahkemenin vereceği çıkma kararı bozucu yenilik doğuran bir karar olup, kararın kesinleşmesiyle ortak ortaklıktan çıkmış olacak, kesinleşme tarihine kadar varlığını sürdürmüş olan ortaklık vasfı, kesinleşmeyle ortadan kalkacaktır⁴⁶.

b. Ortaklık Sözleşmesiyle Haklı Sebepin Düzenlenmesi

Haklı sebep kavramı hususundaki kanuni düzenlemenin yanında, bu hususa dair kıstasların, hükümlerin ve kullanılması halinde sonuçlarına dair ihtimallerin ortaklık sözleşmesiyle düzenlenmesi de mümkün olabilecektir. Bu hakkın kullanımının sınırlandırılması veya tamamen ortadan kaldırılması ise mümkün değildir⁴⁷.

Çıkma hakkının sınırlandırılma veya ortadan kaldırılması açısından, azınlık aleyhine zorlaştırılması da kabul edilemeyecektir⁴⁸. Ayrıca ortağın bu haklarından vazgeçtiğine dair

⁴² **HELVACI**, s.372. Ayrıca hakimin bu takdir yetkisini kullanırken, somut olaydaki koşullara göre, ortak sayısı, çıkma talep eden ortağın pay oranı, ortaklığın çapı gibi tüm hususların göz önünde bulundurularak bir değerlendirme yapması gerektiği belirtilmektedir. **ÇAMOĞLU (Poroy / Tekinalp)**, Ortaklıklar II, s.429; **GÜRPINAR**, s.97; **GİRAY, R. Eda**, *Limited Şirketin Haklı Sebep Feshi ve Yargıtay'ın Yaklaşımı*, İstanbul Ticaret Üniversitesi Sosyal Bilimler Dergisi, Yıl:6, S.12, Güz 2007/2, s.215.

⁴³ **TAŞDELEN**, s.182.

⁴⁴ **KENDİGELEN, Abuzer**, Hukuki Mütalaalar, Cilt II, Ortaklıklar Hukuku, Kararları Tamamlanmış 3. Bası, 2006, İstanbul, (40) Haklı Sebep Çıkma, s.400.

⁴⁵ Bu ihtimalde mahkemece uygun bir çözüm olan kâr payı ödenmesine karar verilebilme imkanı düşünüldüğünde, çok istisnai durumlar dışında fesih ihtimali zayıf olacaktır. **AKER**, s. 114.

⁴⁶ **TAŞDELEN**, s.182.

⁴⁷ Y. TD. 07.07.1961 tarih, 818/2350 sayılı kararı için bkz. **TAŞDELEN**, s.188; **GİRAY**, s.210.

⁴⁸ **YILDIRIM**, s.85.

ortaklık sözleşmesinde hüküm bulunamayacaktır. Ancak haklı sebebin somut olarak ortaya çıkmasının sonrasındaki süreçte, ortak bu hakkından vazgeçebilecektir⁴⁹.

Şayet sözleşmede hangi sebeplerin haklı sebep olarak kabul edileceği belirtilmişse, -TTK m.577/1-k'da belirtildiği üzere- artık burada kabul edilen hususlar mahkeme açısından bağlayıcı olacak, mahkeme burada sebebin haklı olup olmadığını değil⁵⁰, sözleşmede belirlenen sebebin meydana gelip gelmediğine göre karar verecektir.

Çıkma talebinde bulunan ortak, ortaklık sözleşmesindeki belirtilen çıkma sebeplerinden farklı haklı nedenlere dayanarak da çıkma talep edebilecektir⁵¹.

4. Ortakların Kararı/Onayıyla Çıkma

TTK m.577/1-k' da “çıkma hakkının tanınması ile bunun kullanılmasının şartları, bu hallerde ödenecek olan ayrılma akçesinin türü ve tutarının” ortaklık sözleşmesiyle kararlaştırılabilmesinin mümkün olduğu ifade edilmektedir. Ancak böyle bir sözleşmesel düzenleme veya haklı sebep olmasa dahi, diğer ortakların rıza göstermesi halinde -yani “onaylarıyla” da- her ortağın ortaklıktan çıkabileceği kabul edilmekte olup⁵², bu ihtimalde çıkma zamanı, ortakların kabule ilişkin karar alma anı olacaktır.

5. Payın İtfası Sonucu Çıkma

Ortaklık bünyesinde bir ortağa ait esas sermaye payının yok edilmesi olarak nitelendirilen “İtfa” neticesinde, yenilik doğurucu bu işlemle, payın içerisinde barındırdığı tüm hak ve borçlar düşmektedir. Böylece bir sermaye payının itfası söz konusuysa, o paya sahip olan ortağın ortaklıktan çıkması söz konusu olmaktadır⁵³. Limited ortaklıklarda esas sermaye payının itfası ancak sözleşme değişikliği ile mümkün olabilmesine karşın, ortaklık sözleşmesinde aksine bir düzenleme bulunmuyorsa, sahibinin rızasıyla esas sermaye payı itfa olunabilecektir⁵⁴.

⁴⁹ TAŞDELEN, s.189.

⁵⁰ GÜRPINAR, s.98.

⁵¹ TAŞDELEN, s.189.

⁵² BAHTİYAR, Mehmet, Ortaklıklar Hukuku, 10. Bası, 2015, İstanbul, s.442; YILDIRIM, s.81; TAŞDELEN, s.197; AKER, Halit, Anonim ve Limited Şirketlerde Ortaklık Sifatının Sona Ermesi ve Özellikle Haklı Sebep Fesih Davasına İlişkin Bazı Değerlendirmeler, BATİDER, Yıl:2016, C.32, S.1, s.81.

⁵³ BAHTİYAR, s.442.

⁵⁴ AKER, s.84.

D. ÇIKMA HAKKININ KULLANILMASINA DAİR USUL

Ortaklık sözleşmesiyle tanınan çıkma hakkının kullanılması için, bu sözleşmesel hakkı kullanma niyetinde olan ortağın -ortaklık yönetiminin kabulüne bağlı olmaksızın; tek taraflı, yenilik doğuran bir irade beyanı ile- ortaklığa yönelik bir çıkma bildiriminde bulunması gerekli ve yeterli görülmektedir⁵⁵. Bu bildirim ise, her hangi bir şekil şartına bağlanmamıştır⁵⁶.

Ancak ortaklık yönetimi söz konusu çıkma bildiriminin dayanağı olduğu iddia edilen sözleşmesel şartların oluşmadığı iddiasında ise, bu hususta bir tespit davası açarak mahkemeden çıkma bildiriminin hükümsüzlüğüne karar verilmesini talep edebilecektir⁵⁷.

Çıkma hakkını kullanmış olan ortağın ayrılma akçesi ise, TTK m. 641'deki düzenlemeye dayanılarak ortağın sahip olduğu payın gerçek değeri üzerinden tespit edilecektir.

II. LİMİTED ORTAKLIKTA ÇIKARILMA

A. ÇIKARILMA KAVRAMI

Bir ortağın iradesi dışında, istemediği halde, ortaklıktan uzaklaştırılması yani ortak konumuna son verilmesi⁵⁸ olarak niteleyebileceğimiz çıkarılma, ortaklık tarafından açıklanan ve çıkarılan ortağa varması gereken bir irade beyanıyla, ortaklık sıfatının sona erdirilmesidir. Böylece çıkarılma kararı bozucu yenilik doğuran bir hak niteliğindedir.

Bir ortağın diğer ortaklar üzerinde oluşturduğu olumsuz etki, diğer ortaklar açısından katlanılamayacak bir hale gelmişse ve bu tahammül sınırını aşan etki bir ortağın ortaklıktaki varlığı nedeniyle oluşmaktaysa, artık çıkarılma kavramı gündeme gelebilecektir⁵⁹.

Ortağın çıkarılmasına dair imkan -anonim ortaklıklardan farklı olarak- limited ortaklıkların şahıs ortaklığı vasfını ortaya koyan ve vurgulayan bir fonksiyondur⁶⁰.

⁵⁵ ŞAHİN, s.852; TAŞDELEN, s.178

⁵⁶ TAŞDELEN, s.178. Bu hususta TTK m.576 ve m.577'de ortaklığın, ortaklara yapacağı duyuru ve bildirimler açısından bazı şekil şartları düzenlenmiş olduğu, ortakların ortaklığa yönelik bildirimlerinin ise, ortaklık sözleşmesine yazılabileceği belirtilerek, çıkma beyanının noterden yapılması tavsiyesi hususunda bkz. AKER, s.83.

⁵⁷ TAŞDELEN, s.178.

⁵⁸ TEKİNALP, Tek Kişi Ortaklığı, s.382; BAHTİYAR, s.443.

⁵⁹ TAŞDELEN, s.207, 208.

⁶⁰ AKER, s.95.

B. ÇIKARILMA SEBEPLERİ

1. Yasada Düzenlenen Çıkarılma Sebepleri

a. Birleşme - Bölünme ve Tür Değiştirme Durumunda Çıkarılma

TTK m.141/2' deki ifade “Birleşmeye katılan şirketler birleşme sözleşmesinde, sadece ayrılma akçesinin verilmesini öngörebilirler.” şeklindedir. Ayrılma akçesi kurumunun çıkma ve çıkarılma hususları ile ilgili olduğundan hareketle çıkma kavramının TTK m.141/1' de düzenlenmiş olması neticesinde, artık TTK m.141/2' deki düzenlemenin çıkarılma kavramı olduğu kabul edilmektedir⁶¹.

Ayrıca, TTK m.141/2 gerekçesinde, “İkinci fıkra iki yanlı kullanılabilir: (1) arzu etmeyen ortaklar ayrılma akçesini alarak şirketten çıkabilirler. Böylece anonim şirketlerde şirketten çıkma olanağı sağlanmış olur. (2) ikinci fıkra arzu edilmeyen, devamlı sorun çıkaran azınlığı ve/veya ortağı, ayrılma akçesini ödeyerek şirketten çıkarma hakkını büyük çoğunluğa vermektedir.” denilmek suretiyle bu maddenin çıkarılma açısından da kullanılabilmesi açıkça ifade edilmiştir. Böylece birleşmeye karşı olan ortak veya ortakların ortaklıktan çıkarılmaları imkanı devredilen ortaklığa verilmiştir⁶².

TTK m.151/5'de ise “Birleşme sözleşmesi bir ayrılma akçesini öngörüyorsa bunun, devreden şirket şahıs şirketiye oy hakkını haiz ortaklarının, sermaye şirketiye şirkette mevcut oy haklarının yüzde doksanının olumlu oylarıyla onaylanması şarttır” ifadesi yer almaktadır. Böylece birleşme sözleşmesinde bir ortağın çıkarılmasının ve çıkarılan ortağa ayrılma akçesi ödenmesinin kararlaştırılması halinde, bu birleşme sözleşmesinin devreden ortaklık genel kurulunca yüzde doksanlık bir oranla onaylanmasıyla mümkün olabileceği hükme bağlanmıştır.

Bölünme durumunda, TTK m.161 hükmünün gerekçesinde yer alan “Mutabakat varsa bölünen şirketten ayrılabilirler, ancak ihraç edilemezler” ifadesinden, ortaklığın bölünmesi ihtimalinde çıkmanın söz konusu olabileceği ancak çıkarılmanın mümkün olamayacağı anlaşılmaktadır.

Tür değiştirme halinde ise TTK m.183 hükmünün gerekçesindeki “Tür değiştirme bahane edilerek hiçbir ortak şirketten çıkarılamaz ve hiçbir ortağın ortaklık hakları zedelenemez,

⁶¹ PULAŞLI, Hasan, *Türk Ticaret Kanunu Tasarısının Değerlendirilmesi ve Eleştirilen Hükümler*, Türk Ticaret Kanunu Tasarısı Sempozyumu, Yeditepe Üniversitesi Hukuk Fakültesi Dergisi, Yıl:2005, C.2, S.1, s.433.

⁶² TAŞDELEN, s.209.

azaltılamaz ve sınırlandırılmaz” ifadesinden, tür deęiřtirme halinde ıkarılmanın yalnızca bu sebeple mmkn olamayacağı aıka anlařılmaktadır.

b. Ortaklıęın alıřmasını Engelleyen Azınlıęın ıkarılması

TTK m.208’ deki ifadeyle, “*Hkim řirket, doęrudan veya dolaylı olarak bir sermaye řirketinin paylarının ve oy haklarının en az yzde doksanına sahipse, azlık řirketin alıřmasını engelliyor, drstlk kuralına aykırı davranıyor, fark edilir sıkıntı yaratıyor veya pervasızca hareket ediyorsa, hkim řirket azlıęın paylarını varsa borsa deęeri, yoksa 202’nci maddenin ikinci fıkrasında ngrlen řekilde belirlenen deęer ile satın alabilir*” denilmektedir. Bylelikle azınlıęın, ortaklıęın alıřmasını engellemesi, drstlk kuralına aykırı davranması⁶³ veya katlanılmazlıęı akla getirir řekilde davranması halinde azınlıęın payları satın alınmak⁶⁴ suretiyle ortaklıktan ıkarılabilmesi mmkn olacaktır.

Maddede belirtilen sz konusu řartların oluřması zerine, azınlıęın ıkarılmasına karar verilmesi -genel kurulun devredilmez yetkilerinin sayıldıęı TTK m.616/1-h gereęince- genel kurul kararıyla mmkn olabilecektir. TTK m.616/1-ı hkmne gre de kendi paylarını iktisap yetkisi mdre verilmiřse mdr tarafından yapılacak iřlemler; bu yetki verilmemiřse, mdr iřleminin genel kurulca onaylanması halinde geerli olacaktır.

c. Mahkemeden Ortaklıęın Feshinin Talep Edilmesi zerine ıkarılma

Ortaklık iliřkisinin ortak iin dayanılmaz hal alması veya bir ortaęı ortak olmaya ynelten durum ve řartların ortadan kalkmasının sz konusu olduęu hallerde ortak, mahkemeye bařvurmak suretiyle, haklı sebeplerin varlıęı iddiasıyla ortaklıęın feshini talep edebilecektir.

TTK m.636/3’ de “*Haklı sebeplerin varlıęında, her ortak⁶⁵ mahkemeden řirketin feshini isteyebilir. Mahkeme, istem yerine, davacı ortaęa payının gerek deęerinin denmesine ve*

⁶³ Azınlıęın kt niyetli olarak kullanılması halinde ortaklıęı olumsuz etkileyebilecek bazı haklarına rnek olarak, oybirlięi gereken kararlarda olumsuz řekilde hareket etmek; genel kurul kararlarına iptal, ynetim kurulu yelerine haksız ve keyfi olarak sorumluluk davası amak; gerek olmamasına raęmen bilano grřmelerinin ertelenmesi talebinde bulunmak gibi ortaklıęa ve iřleyiřine zarar verici eylemler sayılabilecektir. AKIN, İrfan, TTK m.208 Kapsamında Anonim řirketlerde Azınlıęın Ortaklıktan ıkarılması, Gazi niversitesi Hukuk Fakltesi Dergisi, Yıl:2013, C.17, S.1-2, s.3,4; TAŐDELEN, s.214.

⁶⁴ TTK m.202’ de satın alınacak payların satın alınma bedelinin tespitinin ne řekilde yapılacağı dzenlenmiř olup maddede, “*paylarının varsa en az borsa deęeriyle, byle bir deęer bulunmuyorsa veya borsa deęeri hakkaniyete uygun dřmüyorsa, gerek deęerle veya genel kabul gren bir ynteme gre belirlenecek bir deęerle satın alınmasını mahkemeden isteyebilirler. Deęer belirlenirken mahkeme kararına en yakın tarihteki veriler esas alınır.*” ifadeleriyle pay sahibinin hak kaybının nlenmesine ynelik bir yaklařım ortaya konulduęu gzlenmektedir.

⁶⁵ Burada anonim ortaklıktaki haklı sebeple fesih kurumuna iliřkin TTK m.531 hkmnden iki aıdan farklılık sz konusu olduęu dile getirilmektedir. Birincisi, bu hak azınlık hakkı deęil, bireysel ortaklık hakkı olarak

davacı ortağın şirketten çıkarılmasına veya duruma uygun düşen ve kabul edilebilir diğer bir çözüme hükmedebilir” denilmektedir. Böylece mahkeme tarafından verilebilecek bir fesih kararına bir alternatif olarak ortağın payının gerçek değerinin ödenmesi suretiyle çıkarılmasına karar verilebileceği hükme bağlanmıştır.

Hemen belirtmek gerekir ki çıkarılma kararını mahkeme haklı sebeplerin varlığını kabul etmesi halinde verebilecektir. Yoksa hakimin ileri sürülen sebepleri ortaklığın feshi açısından yeterli bulmaması halinde davanın reddedilmesi gerekecektir⁶⁶. Aksi görüşe göre ortaklığın feshini haklı kılan bir durumun olmadığı tespit edildiğinde ortağın çıkarılabileceği ifade edilmektedir⁶⁷. Ancak bu yaklaşım, ayrılma niyetinde olan her ortağın, ortada bir haklı sebep olmasa dahi, fesih davası açmak yoluyla amacına ulaşabilme imkanını getirebilecektir. Bu nedenle haklı sebebin bulunmaması halinde davanın reddi kararı yeterli olacaktır.

Bu ihtimalde ortak, çıkarılmasını talep etmese dahi, mahkemece çıkarılma doğrultusunda karar verilebilir. Çünkü kanun koyucu bu konudaki takdir hakkını mahkemeye vermiş bulunmaktadır⁶⁸. Ancak davacı ortak, dava dilekçesinde feshi talep etmesinin yanında, mahkemece bu talebin uygun görülmemesi halinde çıkmasına izin verilmesini isteyerek, “*terditli*” talepte bulunma imkanına da sahiptir⁶⁹ (HMK m.111).

Çıkarma kararı verilmesi halinde, otağa ödenecek olan paya ait gerçek değer mahkemece hesap ettirilerek karar yazılması gerekeceği, aksi durumda gerçek değerde anlaşmazlık olması durumunda çıkarılan ortak tarafından yeni bir dava açılmak zorunda kalacağı haklı olarak ifade

düzenlenmiştir. Pay oranı ne olursa olsun her ortak haklı sebeplerin varlığı halinde fesih davası açma hakkına sahiptir. İkinci olarak ise, kişisel nedenlerin anonim ortaklar açısından sadece aile ortaklıkları söz konusu olduğunda gündeme gelebileceği, limited ortaklıklarda kişisel nedenlerin her zaman haklı nedenle fesih hususunda bir sebep olarak karşımıza çıkabileceği ifade edilmektedir. **AYOĞLU, Tolga**, *Anonim Ortaklıkların Haklı Nedenle Feshi*, Galatasaray Üniversitesi Hukuk Fakültesi Dergisi, Prof. Dr. Oğuz İMREGÜN’ e Saygı Sempozyumu, Yıl:2013/2, s.236,237. Özellikle ikinci olarak değindiğimiz farklılık açısından limited ortaklıklarında kişisel bağların daha sıkı olması nedeniyle kişisel nedenlerin birer haklı sebep teşkil edeceği belirtilmektedir. **ERDEM, Nuri**, *Anonim Ortaklığın Haklı Sebeple Feshi*, 2012, İstanbul, s.71. Yine aynı doğrultuda, anonim ortaklıklarda pay sahipleri arasındaki kişisel ilişkilerin, haklı sebep oluşturmasının sadece aile şirketlerinde dikkate alınabileceği hususunda bkz. **NOMER ERTAN, Füsun**, *Anonim Ortaklığın Haklı Sebeple Feshi Davası –TTK m.531 Üzerine Düşünceler*, İÜHFİM, Yıl:2015, C.73, S.1, s.426.

⁶⁶ **ÇAMOĞLU (Poroy / Tekinalp)**, *Ortaklıklar II*, s.444; **MİNELİLER, Zeynep**, *Yeni Türk Ticaret Kanunu’na Göre Limited Şirketlerin Haklı Sebeple Feshi*, Gazi Üniversitesi Hukuk Fakültesi Dergisi, Yıl:2016, C.20, S.2, s.111.

⁶⁷ **YILDIRIM**, S.74.

⁶⁸ Bu yaklaşımla, usul hukuku bakımından geçerli olan HMK m.26 ve m.74’ deki taleple bağlılık ilkesine, ticaret hukuku açısından kanuni bir istisna daha getirildiği hususunda bkz. **KENDİGELEN**, İlk Tespitler, s.434,435,551.

⁶⁹ **AKER**, s.129.

edilmektedir⁷⁰. Ortağa ödenecek bu pay değerinin kim tarafından ve nasıl ödeneceğinin, bu payların geçici olarak ortaklık tarafından iktisap edilip edilemeyeceği hususunun da yasada yer almaması nedeniyle bu husus yargı kararları ve öğreti görüşlerine göre şekillendirilmek durumunda⁷¹.

Bu açıdan ortaklığın kendi paylarını iktisap etmesi ihtimalinde ise, TTK m.612'deki düzenlemenin ve özellikle yeterli öz kaynağa sahip olma ve payların itibari değerinin esas sermayenin yüzde onunu aşmaması şartının göz önünde bulundurulması gerekecektir.

2. Ortaklık Sözleşmesinde Çıkarılma Sebeplerinin Öngörülmesi

TTK m.640/1 hükmü gereğince limited ortaklığa ortaklık sözleşmesinde sebepleri düzenlenerek genel kurul kararıyla ortakları çıkarılma hakkı tanınmaktadır. TTK m.577/1-1 hükmünde de ortaklık sözleşmesinde ortağın, ortaklıktan çıkarılmasına ilişkin özel sebeplerin gösterilmesi halinde bu sebeplerin bağlayıcı olacağı hüküm altına alınmıştır.

Çıkarılma kararı TTK m.640/2' ye göre ortağa noter aracılığıyla bildirilecek olup; bu bildirimden itibaren üç ay içerisinde iptal davası⁷² açmayan ortak açısından çıkarılma kararı kesinleşecektir. İptal davası açılması halinde davayı kazanan ortak ortaklıktan hiç çıkmamış gibi işlem görürken; davanın reddedilmesi halinde hüküm açıklayıcı nitelikte olacak ve ortak, genel kurul kararının kendisine tebliği tarihinde ortaklıktan çıkmış olacaktır⁷³.

TTK m. 640/3 hükmünde, -TTK m. 640/1'den farklı olarak ortaklık sözleşmesinde öngörülmemiş olsa bile- çıkarılma sebebi açısından haklı sebebin varlığı halinde yasadın kaynaklanan bir imkana dayanılması söz konusudur⁷⁴.

TTK m.641'de ortağın ayrılması halinde ödenecek ayrılma akçesine dair düzenleme yapılmıştır. Ayrılma tabiri burada çıkma ve çıkarılma kavramlarını kapsar şekilde kullanılmaktadır. TTK m.641'in gerekçesindeki "*Ayrılma her çeşidi ile çıkma ve çıkarılma ile doğal çıkma hali olan ölümü de kapsar. Ayrılma özellikle çıkarılma, el koyucu (müsadere edici)*

⁷⁰ **TEKİNALP**, Tek Kişi Ortaklığı, s.384.

⁷¹ **SÜMER, Ayşe**, *Anonim Ortaklıklarda Haklı Sebep Fesih*, MÜHFHAD (Özel Sayı), Yıl:2012, C.18, S.2, s.846.

⁷² Genel kurul kararlarına üç aylık sürede açılacak iptal davası açma imkanının zaten bulunduğu ve TTK m.640/2' deki çıkarılmanın her halükarda bir genel kurul kararına dayanacağından hareketle, böyle bir düzenlemeye gerek olmadığı hususunda bkz. **KENDİGELEN**, İlk Tespitler, s.555. Ayrıca bu üç aylık sürenin 'hak düşürücü süre' olduğu belirtilmektedir. **ERİŞ**, s.3163.

⁷³ **ÇAMOĞLU (Poroy / Tekinalp)**, Ortaklıklar II, s.438.

⁷⁴ **TEKİNALP**, Tek Kişi Ortaklığı, s.383.

ve cezalandırıcı bir yaklaşıma olanak vermemelidir” ifadesine dayanılarak burada kastedilenin çıkarılma olduğu söylenebilecektir.

3. Haklı Sebep ile Çıkarılma

a. Çıkarılmanın Dava Yoluyla Gerçekleşmesi

TTK m.640/3’deki “*Şirketin istemi üzerine ortağın mahkeme kararıyla haklı sebebe dayanılarak şirketten çıkarılması hâli saklıdır.*” ifadesinden çıkan sonuç; tıpkı ortağın haklı sebeple çıkma davası açabileceği gibi, ortaklığın da haklı sebebin varlığı halinde çıkarma davası açabileceğinin mümkün olabileceğidir.

Çıkarılma hususunda açılacak dava, genel kurulca karar alındıktan⁷⁵ sonra limited ortaklık adına müdür veya müdürlerce açılacaktır. Çıkarılmak istenen ortak şayet müdür ise dava varsa diğer müdür tarafından açılabilir⁷⁶.

Haklı sebepler ortaklık sözleşmesinde gösterilmiş olabilir. Ancak ortaklık bu sayılan sebeplerle bağlı olmayıp, bir başka haklı sebebe dayanmak suretiyle de çıkarma davası açılabilir⁷⁷.

Bozucu yenilik doğuran bu hakka dayanarak, mahkemeye başvurabilmek için TTK m.621/1-h gereğince, “*temsil edilen oyların en az üçte ikisinin ve oy hakkı bulunan esas sermayenin tamamının salt çoğunluğunun bir arada bulunması*” şeklinde nitelikli çoğunluk, yani ağırlaştırılmış nisapla⁷⁸ alınan bir genel kurul kararı gerekecektir.

Genel kurulun karar vermesi üzerine, mutlaka bir çıkarma davası açılmasının zorunlu olmadığı, çıkarılması yönünde karar alınan ortağın bu kararı kabul etmesi halinde karşılıklı anlaşmayla da çıkarılmanın gerçekleşmesi mümkün olabilecektir⁷⁹.

⁷⁵ Bu yetki, TTK m.616/1-h hükmü gereğince, genel kurulun devredilemez yetkilerindedir.

⁷⁶ ÇAMOĞLU (Poroy / Tekinalp), Ortaklıklar II, s.439.

⁷⁷ TEKİNALP, Tek Kişi Ortaklığı, s.383,384.

⁷⁸ KENDİGELEN, İlk Tespitler, s.556. Limited ortaklık sözleşmesiyle nisabın, daha da ağırlaştırılabileceği ifade edilmekte olup, ayrıca kararın oylamasına ise çıkarılacak ortağın da katılabileceği ve bu fikre dayanak olarak da TTK m.619’ daki oydan yoksunluk halleri arasında çıkarma kararının sayılmadığı ifade edilmektedir. TEKİNALP, Tek Kişi Ortaklığı, s.383. Aksi görüş, ‘hiç kimse kendi davasının hakimi olamaz’ evrensel kuralı nedeniyle, çıkarılan ortağın oylamaya katılamayacağını savunmaktadır. ÇAMOĞLU (Poroy / Tekinalp), Ortaklıklar II, s.439. Ortağın oylamaya katılamayacağı görüşü doğrultusunda, TTK m.619’ daki sayılan hallerin sınırlı oluşu hususundaki düşüncelerin istisnaları ve gerekçeleri hususunda ise bkz. PULAŞLI, Hasan, “Limited Şirketler Hususundaki Güncel Gelişmeler ve Türk Ticaret Kanunu Tasarısındaki Bazı Sorunlar” BATİDER, Yıl:2009, C.25, S.2, s.48; AKER, s.98.

⁷⁹ AKER, s.98.

Burada mahkemece verilecek bir çıkarma kararı kurucu nitelik taşımakta olup, söz konusu karar ortak açısından hükümlerini çıkarma kararının kesinleşmesiyle doğuracaktır⁸⁰.

Yeri gelmişken çıkarma davası yanında bir başka ihtimalin daha değerlendirilmesinde fayda olacaktır. TTK m.577/1-e hükmü ile belirli veya belirlenebilir ortaklara, veto hakkı verilmiş olması ihtimalinde, genel kurulca ortağın çıkarılması hususunda karar alınmadığı hallerde, TTK m.636/3 hükmü gereğince fesih davası açma yoluna başvurulabileceği savunulmaktadır⁸¹.

b. Haklı Sebep Olarak Değerlendirilecek Durumlar

Haklı sebep olabilecek durumların tespitine ilişkin olarak, hakimin geniş takdir yetkisinin bulunduğu ifade edilmektedir⁸². Ancak uygulama açısından bir ortağın haklı sebeple ortaklıktan çıkarılma sebeplerine değinmek konuyu somutlaştırmak adına faydalı olacaktır.

Yargıtay, ortakların ortaklık amacını gerçekleştirmek üzere eşit konumda gayret ve özen gösterme yükümü olarak adlandırılan affectio sociatatis⁸³ unsurunun eksikliği ve sadakat yükümlülüğüne aykırı davranışı⁸⁴, ortağın ortaklık menfaatini koruma yükümlülüğünün sürekli ihlali olarak değerlendirerek, çıkarılma hususunda haklı sebep olarak kabul etmiştir.

Bununla birlikte ortağın yaşlanması veya hastalığı⁸⁵ gibi ortağın ortaklığa katkısı ve yükümlülüklerini yerine getirme hususunda zafiyete düşmesi de yine haklı sebep olarak kabul edilebilecek hususlardandır. Haklı sebebin muhakkak ortağın kusurundan kaynaklanması ise bir koşul olarak kabul edilemeyecektir⁸⁶.

Ortağın karşılıklı güven ilişkisini ortadan kaldıracak şekilde davranması⁸⁷ haklı sebep olarak sayılabildiği gibi; ortağın sistematik olarak ortaklığın işleyişini engellemesi veya genel kurul kararlarına, esas sözleşme hükümlerine aykırı davranmanın süreklilik kazanması veya ortaklık müdürünün ortaklıkla rekabet etmesi⁸⁸ hallerinde de haklı sebebin varlığı kabul edilmiştir⁸⁹.

⁸⁰ ÇAMOĞLU (Poroy / Tekinalp), Ortaklıklar II, s.443.

⁸¹ YILDIRIM, s.86.

⁸² ÇAMOĞLU, Takdir Yetkisi, s.9.

⁸³ POROY (Tekinalp/Çamoğlu), Ortaklıklar Hukuku I, Yeniden Yazılmış 13. Bası, 2014, İstanbul, s.25.

⁸⁴ Y. 11.HD. 11.06.2001 tarih, 3297/5291 sayılı kararı. (www.kazanci.com.tr)

⁸⁵ Y. 11.HD. 11.05.1998 tarih, 1915/3246 sayılı kararı. (www.kazanci.com.tr)

⁸⁶ ÇAMOĞLU (Poroy / Tekinalp), Ortaklıklar II, s.440.

⁸⁷ Y. 11.HD. 20.06.2002 tarih, 2447/6370 sayılı kararı.; Y. 11.HD. 07.11.2006 tarih, E.2005/8143, K.2006/11357 sayılı kararı. (www.kazanci.com.tr)

⁸⁸ Y. 11.HD. 11.03.2002 tarih, 1221/2173 sayılı kararı. (www.kazanci.com.tr)

⁸⁹ Y. 11.HD. 11.04.1984 tarih, 939/1846 sayılı kararı. (www.kazanci.com.tr)

Ortaklar arasında huzursuzluk ve geçimsizlik söz konusu olması halinde ortaklığın çalışamaz hale gelmesi halinde bu durum da yine haklı sebep kabul edilerek çıkarılma hükümleri uygulanabilecektir⁹⁰.

Ancak örneğin ortağın, ortaklığın geleceğine dair olumsuz tahmin ve kaygıları bulunduğu iddiasına rağmen, bu iddiaların somut verilere dayandırılmaması halinde artık bu durum haklı sebep olarak kabul edilemeyecektir⁹¹.

III. ÇIKMA ve ÇIKARILMANIN NETİCELERİ

Ortaklıktan çıkma ve çıkarılma kavramlarını tek bir ifade ile “ayrılma” olarak nitelendirmek gerekirse⁹² “ortaklıktan ayrılma zamanı”, eğer ortak tek taraflı yenilik doğuran “*bir bildirimle*” ayrılma beyanında bulunmuşsa, beyanın ortaklığa ulaştığı tarih olacaktır. Ancak ayrılmaya “*genel kurulca*” karar verilmişse kararın alındığı tarih, şayet ayrılma “*mahkeme kararıyla*” gerçekleşmişse de kararın kesinleştiği tarih ortaklıktan ayrılma zamanı olarak kabul edilecektir. Böylece ayrılma tarihi ayrılmanın hukuken kesinleşme tarihi olacak, tescil ve ilan ise yalnızca açıklayıcı nitelikte bir fonksiyon icra edecektir⁹³.

Ayrılma tarihinin hukuki önemi, kamu borçlarından sorumluluk açısından söz konusu olacaktır. Çünkü limited ortaklıklarda ortak, TTK m.602 gereğince ortaklık borçlarından kişisel olarak sorumlu olmamasına rağmen, ortaklığın kamu borçlarından dolayı hissesi oranında tüm malvarlığı ile sınırsız olarak sorumludur. İşte bu nedenle ortağın kamu borçlarından sorumluluğu, ayrılmasının hukuken kesinleşmesiyle sona erecektir.

Ayrılma neticesinde ortak, sahip olduğu ortaklık vasfını bir bütün olarak kaybedecek olmakla, böylece esas sermaye payına bağlı olan tüm hak ve borçları da bu ana kadar devam edip ayrılma

⁹⁰ Y. 11.HD. 08.12.2005 tarih, E.2004/14514, K.2005/12079 sayılı kararı (www.kazanci.com.tr). Bir başka karar örneği olarak, “Bir ortağın davranışları, şirket faaliyetlerine sekte verecek nitelikte ise ve onun bu tutumu ve davranışı sonucunda ahenksizlik ve huzursuzluk oluşmuş ise ve karşılıklı güvenin ortadan kalkmış olduğu söz konusu ise ve bu uyumsuz tutum ve davranışlar sonucu şirket ve diğer ortaklar zarar görecektir” şeklinde, bu ortağın meydana gelen bu olaylarda kusurlu olup olmadığına bakılmaksızın objektif iyi niyet kuralları da gözetilerek, ortaklıktan çıkarılması gerekir.” gerekçesiyle İstanbul Altıncı Asliye Ticaret Mahkemesinin 06.1.2001 tarih, E. 1999/966, K.2001/1360 sayılı kararıyla verilen “çıkarma kararı”, Y.11.HD. 20.06.2002 tarih, E.2002/3701, K.2002/6332 sayılı kararıyla onanmıştır. **KENDİGELEN, Abuzer**, Hukuki Mütalaalar, Cilt IV, 2006, İstanbul, s.280-287.

⁹¹ **AKER**, s.113.

⁹² “Ayrılma her çeşidi ile çıkma ve çıkarılma ile doğal çıkma hali olan ölümü de kapsar.” TTK m.641 gerekçesi, (www.ticaretkanunu.net/gerekçe/)

⁹³ **ÇAMOĞLU (Poroy / Tekinalp)**, Ortaklıklar II, s.446.

ile de sona erecektir⁹⁴. Ayrıca ortağın ortaklıktan ayrılması, tüm esas sermaye payları açısından sonuç doğuracak olup, bir ortağın bir veya birkaç payı bakımından ayrılırken, geriye kalan diğer pay veya payları açısından ortaklık vasfını muhafaza etmesi mümkün olamayacaktır⁹⁵.

Bununla birlikte TTK m.641/1 gereğince “Ortak şirketten ayrıldığı takdirde, esas sermaye payının gerçek değerine uyan ayrılma akçesini istem hakkını haizdir.” ifadesiyle de belirtildiği üzere, ayrılan ortağın “ayrılma akçesi” talep hakkı, çıkma gibi çıkarılmanın da sonuçlarındandır.

TTK m.642 gerekçesinde de açıkça belirtildiği üzere ayrılma akçesinin muaccel hale gelebilmesi -öncelikle ortağın ayrılabilmesi gerekir- TTK m.641 gereğince üç ihtimalde mümkün olacaktır. Bunlar şirketin kullanılabilir bir öz kaynak üzerinde tasarruf etmesi, ayrılan kişinin esas sermaye paylarının devredilebiliyor olması ve esas sermayenin ilgili hükümlere göre azaltılması halidir. Bu şartlardan “herhangi birinin gerçekleşmesi” halinde ayrılma akçesinin ayrılma neticesiyle birlikte kendiliğinden muaccel hale geleceği ifade edilmektedir⁹⁶. Böylece ayrılma akçesinin önce öz kaynaktan verileceği; şayet böyle bir kaynak yok ise, çıkan ortağın ayrılma akçesini ödeyerek paylarını alabilecek bir ortak veya üçüncü kişi aranacağı; bulunamaması halinde de sermaye azaltılması yoluna gidilerek itfa karşılıkları ile ödeneceği ifade edilmektedir⁹⁷.

TTK m.642/3’e göre ise ayrılan ortağın ayrılma akçesinin ödenmeyen kısmının, ortaklığa karşı, bütün alacaklılardan sonra gelen bir alacak oluşturacağı hükme bağlanmıştır. Burada belirtmek gerekir ki, ayrılma akçesinin muacceliyeti açısından, 6335 sayılı kanun ile TTK m.642/2’nin kaldırılmasının⁹⁸ özellikle iradi çıkma hallerinde, üzerinde tasarruf edilebilecek öz kaynağın var olup olmadığının veya TTK m.642/1 c.3 de belirtilen azaltılacak sermaye miktarının nasıl ve kim tarafından tespit edileceği açısından belirsizliğe neden olduğu ifade edilmektedir⁹⁹.

⁹⁴ Bununla birlikte, bilgi alma hakkı, çıkmadan önce kararlaştırılmış olan fakat ödenmeyen kar payını alma hakkı ve ortaklıktan çıkışından itibaren iki yıl daha ek ödeme (ortaklığın iflası halinde) yükümlülüğü devam etmektedir. TAŞDELEN, s.199.

⁹⁵ TEKİNALP, Tek Kişi Ortaklığı, s.379.

⁹⁶ KENDİGELEN, s.557.

⁹⁷ TEKİNALP, Çıkma Katılma, s.3; ŞAHİN, s.856.

⁹⁸ Bu kaldırılan fıkra, “İşlem denetçisi kullanılabilir öz kaynak tutarını belirler. Bu tutar ayrılma akçesinin ödenmesine yetmiyorsa, işlem denetçisi esas sermayeden ne tutarda indirim yapılması gerektiğini de gösterir.” şeklinde ihdas edilmişti.

⁹⁹ KENDİGELEN, s.557,558; GÜRPINAR, s.98.

Yargıtay tarafından eTTK döneminde verilmiş bir kararda, iki kişilik limited ortaklıkta, bir ortağın çıkma davasını açamayacağı, çünkü böyle bir ihtimalde ortaklığın feshinin söz konusu olacağı ileri sürülmekte olduğu görülmektedir¹⁰⁰. Ancak TTK'da artık tek kişilik limited ortaklığın kurulabilme imkanından hareketle, bu problemin ortadan kalkmış olduğu ve ayrılma davasının açılabilmesi kabul edilecektir¹⁰¹.

SONUÇ

Çıkma kavramı ile, bir ortağın, ortaklık ilişkisine kendi iradesi neticesinde son vermesi kastedilirken, çıkarılma kavramında ortağın iradesi dışında istemediği halde ortaklık konumuna son verilmesi söz konusudur. Öğretide bu iki kavramı birlikte tanımlamak üzere TTK m.641 gerekçesindeki “ayrılma” tabiri kullanılmaktadır.

Çıkma, bir ortağın tek taraflı irade beyanı neticesinde olabileceği gibi, yasal düzenleme veya sözleşmesel hükümlere dayanarak da gerçekleştirilebilir.

Ortaklıktan ayrılmanın en doğal yolu olan hisse devrinin, limited ortaklıklarda genel kurul onayına tabi olması ve bazı durumlarda genel kurulun devre onay vermemesi; hatta sözleşmeyle pay devrinin yasaklanabilme ihtimali, ayrılma hususunda haklı sebeple çıkma davasını gündeme getirmektedir.

Haklı sebebin takdirinde, hakimin çok geniş denilebilecek bir takdir yetkisinin bulunduğu kabul edilmesine rağmen; şayet hangi sebeplerin haklı sebep olacağı, ortaklık sözleşmesinde düzenlenmişse, artık hakimin bu sebeple bağlı olacağı; hakim tarafından yapılacak değerlendirmenin, sebebin haklı sebep olup olmadığı değil, sadece sözleşmede belirlenen sebebin meydana gelip gelmediği açısından olacağı belirtilmelidir.

Limited ortaklığın birleşme, bölünme ve tür değiştirme hallerinde ortağın çıkma olanağı bulunmaktayken; çıkarılma açısından sadece limited ortaklığın birleşmesi ihtimalinde bu durum söz konusu olabilecek, bölünme ve tür değiştirmede ortağın çıkarılması mümkün olmayacaktır.

Ayrılmanın hukuken kesinleşmesi zamanının tayini, limited ortaklıklar açısından özellikle önem arz etmektedir. Çünkü limited ortaklık ortağı, TTK m.602 gereğince ortaklık borçlarından

¹⁰⁰ Y. 11.HD. 20.10.2003 tarih, 8693/49501 sayılı kararı (www.kazanci.com.tr).

¹⁰¹ **BAHTİYAR**, s.445; **ERDEM**, s.69,70; **ŞAHİN**, s.856. Yargıtay'da verdiği son kararlarında, değişen kanun neticesinde, iki ortaklı limited ortaklıklarda da çıkarılma davasının mümkün olabileceğini kabul etmektedir. Y. 11.HD. 11.03.2014 tarih, E.2012/5040, K.2014/4642 sayılı kararı (www.kazanci.com.tr).

kişisel olarak sorumlu olmamasına rağmen, kamu borçlarından dolayı tüm malvarlığı ile sınırsız olarak sorumludur. Limited ortaklık ortağının, bu kamu borçlarından sorumluluğu ise, ayrılmasının hukuken kesinleşmesiyle sona erecektir.

Ayrılma kurumunun önemli sonucu olan “*ayrılma akçesi*”nin ortağa ödenmesi safhasında bu bedelin önce öz kaynaktan verileceği; şayet bu mümkün değilse bu bedeli karşılamak üzere paylarını satın alabilecek bir ortak veya üçüncü kişi bulunacağı; bunun da mümkün olmaması halinde ise sermaye azaltılması yoluna gidileceği belirtilmelidir.

KAYNAKÇA

- AKER, Halit**, Anonim ve Limited Şirketlerde Ortaklık Sıfatının Sona Ermesi ve Özellikle Haklı Sebep ile Feshine İlişkin Bazı Değerlendirmeler, BATİDER, Yıl:2016, C.32, S.1, s.63-150.
- AKIN, İrfan**, TTK m.208 Kapsamında Anonim Şirketlerde Azınlığın Ortaklıktan Çıkarılması, Gazi Üniversitesi Hukuk Fakültesi Dergisi, Yıl:2013, C.17, S.1-2, s.1-19.
- AYOĞLU, Tolga**, Anonim Ortaklıkların Haklı Nedenle Feshi, Galatasaray Üniversitesi Hukuk Fakültesi Dergisi, Prof. Dr. Oğuz İMREGÜN' e Saygı Sempozyumu, Yıl:2013/2, s.220-252.
- BAHTİYAR, Mehmet**, Ortaklıklar Hukuku, 10. Bası, 2015, İstanbul.
- ÇAMOĞLU, Ersin**, Anonim Ortaklığın Haklı Sebep ile Feshinde Hakimın Takdir Yetkisi, BATİDER, Yıl:2015, C.31,S.1, s.5-19.(Takdir Yetkisi)
- ERDEM, Nuri**, Anonim Ortaklığın Haklı Sebep ile Feshi, 2012, İstanbul.
- ERİŞ, Gönen**, Ticari İşletme ve Şirketler, C.III, Güncellenmiş 3.Baskı, 2017, Ankara.
- GİRAY, R. Eda**, Limited Şirketin Haklı Sebep ile Feshi ve Yargıtay'ın Yaklaşımı, İstanbul Ticaret Üniversitesi Sosyal Bilimler Dergisi, Yıl:6, S.12, Güz 2007/2, s.195-218.
- GÜRPINAR, Bünyamin.**, Limited Şirkette Çıkma ve Çıkmaya Katılma, Gazi Üniversitesi Hukuk Fakültesi Dergisi, Yıl:2016, C.20, S.2, s.73-101.
- HELVACI, Mehmet**, İki Kişilik Limited Ortaklıkta Haklı Sebep ile Ortaklıktan Çıkma ve Yargıtay Görüşü Hakkında Bazı Düşünceler, MÜHAD, Yıl:1995, C.9, S.1-3, s.361-375.
- NOMER ERTAN, Fusun**, Anonim Ortaklığın Haklı Sebep ile Feshi Davası –TTK m.531 Üzerine Düşünceler, İÜHF, Yıl:2015, C.73, S.1, s.421-440.
- KENDİGELEN, Abuzer**, Yeni Türk Ticaret Kanunu Değişiklikler, Yenilikler ve İlk Tespitler, 3.Bası, 2016, İstanbul.(İlk Tespitler)
- KENDİGELEN, Abuzer**, Hukuki Mütalaalar, Cilt II, Ortaklıklar Hukuku, Kararları Tamamlanmış 3. Bası, 2006, İstanbul.(Mütalaalara II)
- KENDİGELEN, Abuzer**, Hukuki Mütalaalar,Cilt IV,2006, İstanbul.(Mütalaalar IV)
- MİNELİLER, Zeynep**, Yeni Türk Ticaret Kanunu'na Göre Limited Şirketlerin Haklı Sebep ile Feshi, Gazi Üniversitesi Hukuk Fakültesi Dergisi, Yıl:2016, C.20, S.2, s.95-117.
- POROY / TEKİNALP / ÇAMOĞLU**, Ortaklıklar Hukuku I, Yeniden Yazılmış 13. Bası, 2014, İstanbul. (Ortaklıklar I)
- POROY / TEKİNALP / ÇAMOĞLU**, Ortaklıklar Hukuku II, Yeniden Yazılmış 13. Bası, 2017, İstanbul. (Ortaklıklar II)
- PULAŞLI, Hasan**, “Limited Şirketler Hususundaki Güncel Gelişmeler ve Türk Ticaret Kanunu Tasarısındaki Bazı Sorunlar”, BATİDER, Yıl:2009, C.25, S.2, s.37-54. (Limited Şirketler).
- PULAŞLI, Hasan**, Türk Ticaret Kanunu Tasarısının Değerlendirilmesi Ve Eleştirilen Hükümler, Türk Ticaret Kanunu Tasarısı Sempozyumu, Yedi Tepe Üniversitesi Hukuk Fakültesi Dergisi, Yıl:2005, C.2, S.1, s.429-449.(Eleştiri)
- SÜMER, Ayşe**, Anonim Ortaklıklarda Haklı Sebep ile Feshi, MÜHFHAD (Özel Sayı), Yıl:2012, C.18, S.2, s.839-851.
- ŞAHİN, Ayşe**, Limited Şirkette Ortağın Ortaklıktan Çıkması ve Çıkarılması, MÜHFHAD (Özel Sayı), Yıl:2012, C.18, S.2, s.851-859.

TAŞDELEN, Nihat, 6102 Sayılı Türk Ticaret Kanununa Göre Limited Ortaklıklarda Çıkma Çıkarılma ve Fesih, 2012, Ankara.

TEKİNALP, Ünal, Çıkmaya Katılma,

<http://www.arslanlibilimarsivi.com/kategori/ticaret-sirketleri>

TEKİNALP, Ünal, Yeni Anonim ve Limited Ortaklıklar İle Tek Kişi Ortaklığının Esasları, 2012, İstanbul.(Tek Kişi Ortaklığı)

YILDIRIM, Ali Haydar, Haklı Sebep Fesih, Yenilenmiş 10. Baskı, 2014, İstanbul.

KROMUN SULU ÇÖZELTİLERDE pH ÜZERİNE ETKİSİNİN ADSORPSİYON YÖNTEMİ İLE İNCELENMESİ

Esra YALÇINER

Bursa Uludag University, Faculty of Arts and Sciences, Department of Chemistry, Bursa, Turkey
ORCHID ID: 0009-0008-6910-6395

Petek BALCI

Bursa Uludag University, Faculty of Arts and Sciences, Department of Polymer Materials, Bursa, Turkey
ORCHID ID: 0009-0009-0981-1647

Prof. Dr. Ali KARA

Bursa Uludag University, Faculty of Arts and Sciences, Department of Polymer Materials, Bursa, Turkey
ORCHID ID: 0000-0003-2457-6314

ÖZET

Günümüzde artan sanayileşme ve kentleşme ile çeşitli sorunlar ortaya çıkmaktadır. Ağır metal iyonlarının neden olduğu kirlilik bu sorunların başında gelmektedir. Krom (VI), sadece endüstriyel atık sularında bulunan önemli bir ağır metaldir. Bu tür çevre kirliliğini yönetebilmek için Cr (VI) adsorpsiyon mekanizmalarının daha iyi anlaşılması gerekmektedir (Islam vd. 2019). Krom metali çeşitli endüstriyel atık suların deşarjı nedeniyle çevresel kirliliklerde olumsuz etki göstermektedir. Bu nedenle ağır metal iyonlarının sulu ortamdan uzaklaştırılması gerekmektedir. Bu çalışma kapsamında sulu ortamdan krom (VI) iyonlarının adsorpsiyon yöntemiyle uzaklaştırılması amaçlanmıştır. Süspansiyon polimerizasyon yöntemi ile sentezlenen A4 polimerinin krom (VI) iyonlarının sulu ortamdan uzaklaştırılmasında adsorbent olarak kullanılabilirliği pH etkisi üzerinde incelenmiştir.

Bu çalışmada, 2-3-4-5'lik pH suları 1 M'lık hidroklorik asit (HCl) ve 0.1 M'lık sodyum hidroksit (NaOH) kullanılarak ayarlanmıştır. pH metre ile ölçümleri yapılmıştır. Cr (VI) iyonunun sulu çözeltilerinin hazırlanabilmesi için potasyum dikromat ($K_2Cr_2O_7$) katısı kullanılmıştır. UV-VIS Spektrofotometre ile yapılan analizler Cr (VI) için pH'ı 2-3-4-5 olan 1000 ppm konsantrasyonunda stok çözeltiler hazırlanmıştır. Farklı pH'taki Cr (VI) stok çözeltileri kullanılarak 10-20-30-40 ppm'lik çözeltiler 25 mL'lik balon jojelerde her bir pH için hazırlanmıştır. Viallerin içerisine 0.01 gram A4 polimeri eklenip üzerine 10 mL farklı pH ve konsantrasyonlarda hazırlanan çözeltiler ilave edilmiştir. Adsorpsiyon 24 saat boyunca karanlık bir ortamda gerçekleştirilmiştir. Deney sırasında zaman, polimer miktarı, sıcaklık ve konsantrasyon parametreleri sabit tutulmuştur. Maksimum adsorpsiyon sonunda çözeltilerin UV-VIS spektrofotometre cihazında 346 nm'de ölçümleri yapılmıştır. Maksimum adsorpsiyon kapasitesi değerleri pH 2'de 30.219 mg/g olarak bulunmuştur, bu da A4 polimerinin bu pH'ta optimum performans gösterdiğini ve %75.5'lik bir giderim verimi elde ettiğini göstermektedir.

Anahtar Kelimeler: Krom (VI), Adsorpsiyon, Polimer, pH Etkisi, Atık Su

INVESTIGATION OF THE EFFECT OF CHROMIUM ON pH IN AQUEOUS SOLUTIONS BY ADSORPTION METHOD

ABSTRACT

In today's world, increasing industrialisation and urbanisation have led to various environmental issues. One prominent problem is the pollution caused by heavy metal ions. Among these, hexavalent Chromium (Cr (VI)) stands out as a significant heavy metal found exclusively in industrial wastewater. To effectively manage this type of environmental pollution, a better understanding of Cr (VI) adsorption mechanisms is essential (Islam et al., 2019). Chromium metal negatively impacts environmental quality due to its presence in the discharge of various industrial wastewater streams. Consequently, the removal of heavy metal ions from aqueous environments is crucial. This study aims to remove Chromium (VI) ions from aqueous solutions using an adsorption method. The suitability of A4 polymer, synthesised via suspension polymerisation, as an adsorbent for removing Cr (VI) ions from aqueous environments was investigated with a focus on pH effects.

To prepare Cr (VI) aqueous solutions, potassium dichromate ($K_2Cr_2O_7$) solid was used. UV-VIS spectrophotometric analysis was performed on stock solutions of Cr (VI) with pH values of 2, 3, 4, and 5, each at a concentration of 1000 ppm. Solutions with Cr (VI) concentrations of 10, 20, 30, and 40 ppm were prepared for each pH in 25 mL volumetric flasks using Cr (VI) stock solutions at different pH levels. To these vials, 0.01 grams of A4 polymer were added, followed by the addition of 10 mL of the prepared solutions with varying pH and concentrations. Adsorption was carried out in a dark environment for 24 hours. During the experiment, parameters such as time, polymer amount, temperature, and concentration were kept constant. After maximum adsorption, the solutions were analyzed using a UV-VIS spectrophotometer at 346 nm. The maximum adsorption capacity values were found to be 30.219 mg/g at pH 2, indicating that A4 polymer performed optimally at this pH, achieving a removal efficiency of 75.5%.

Keywords: Chromium (VI), Adsorption, Polymer, pH Effect, Wastewater

1. INTRODUCTION

Globalization and rapid industrialization have led to environmental problems that pose a growing threat to humanity. As a result, there is an increasing need for effective and efficient methods, particularly in the chemical industry. Industrial waste and wastewater containing heavy metals are among the primary causes of environmental pollution. Innovative approaches and efforts are required to tackle this issue (Gunatilake, 2015).

In developing countries, there is a growing trend of direct or indirect discharge of heavy metal wastewater into the environment. Heavy metals are non-biodegradable and have a propensity to accumulate within living organisms, unlike organic contaminants. Many heavy metal ions are known for their toxic or carcinogenic properties. Industrial wastewater treatment often contains toxic heavy metals such as zinc, copper, mercury, lead, and chromium, which can make remediation challenging (Arbabi and Golshani, 2016). Since Chromium is widely used in various industries, Chromium-contaminated wastewater can originate from a large number of sources. Chromium is used in the metal plating industry as well as in the production of inks, paints, pigments, glass, ceramics and some adhesives. Chromium is also used in tanning, textile dyeing and wood preservation (Nriagu and Nieboer, 1989).

Hexavalent Chromium is known to be 100 times more toxic than trivalent chromium and easily penetrates the human body upon exposure. Cr (VI) tends to accumulate in the food chain and poses serious health risks to humans. These risks include skin irritations, respiratory problems, intestinal corrosion, ulcers and even lung cancer (Qin et al., 2018). Cr (VI) is a strong oxidant and most of its compounds are highly soluble in water, making it readily bioavailable. According to the World Health Organization (WHO) drinking water guidelines, the maximum permissible concentration of Cr (VI) in drinking water is 0.05 mg/L. In addition, the US Environmental Protection Agency (USEPA) has set a maximum discharge limit of 0.1 mg/L Cr (VI) to inland surface waters. Therefore, the removal of Cr (VI) from water and wastewater is extremely important. Such limits are critical to the protection of water resources and the environment (Alemu et al., 2018).

Various methods, including adsorption, biosorption, reduction, filtration, reverse osmosis, ion exchange, foam flotation, electrolysis, and surface adsorption, are used for chromium removal (Owlad et al., 2009). Adsorption is the preferred method for removing Cr (VI) from wastewater due to its simplicity and high efficiency, making it one of the most commonly used techniques (Kong et al., 2021). Adsorption is a mass transfer process where soluble or removable species from a liquid phase are transported to the surface of a solid phase (Rashid et al., 2021). Various materials such as activated carbon, microbial biomass, clay minerals, metal oxides and polymeric adsorbents have been used as adsorbents for the removal of heavy metal ions from aqueous solutions (Kara, Aksoy and Beşirli, 2012). Polymeric adsorbents, which are preferred for the removal of heavy metal ions, generally offer advantages such as high efficiency, easy handling, various adsorbent options, reusability and cost effectiveness. In particular, the removal of toxic metal ions by chelating polymers is of great importance in environmental

applications. The success of chelating polymers designed for the selective removal of metal ions depends on several criteria such as specific and rapid complexation of metal ions. Among these criteria, polymeric adsorbents containing components such as ethylenediamine, poly(ethyleneimine), amidoxime, acrylamide, dithiocarbamate, polyaniline, thiazolidine and reactive amino acids have played an important role (Kara, 2009).

The aim of this study is to remove chromium (VI) ions from aqueous solutions using an adsorption method. The suitability of A4 polymer synthesised by suspension polymerisation was investigated as an adsorbent to remove chromium (VI) ions from aqueous media, focusing on the pH effect.

2. RESEARCH AND FINDINGS

2.1. Experimental Studies

2.1.1. Preparation of pH Waters

pH adjustments were performed using 1M Hydrochloric Acid (HCl) and 0.1M Sodium Hydroxide (NaOH). All pHs were measured with a Mettler-Toledo pH meter and pH waters with pH 2-3-4-5 were prepared.

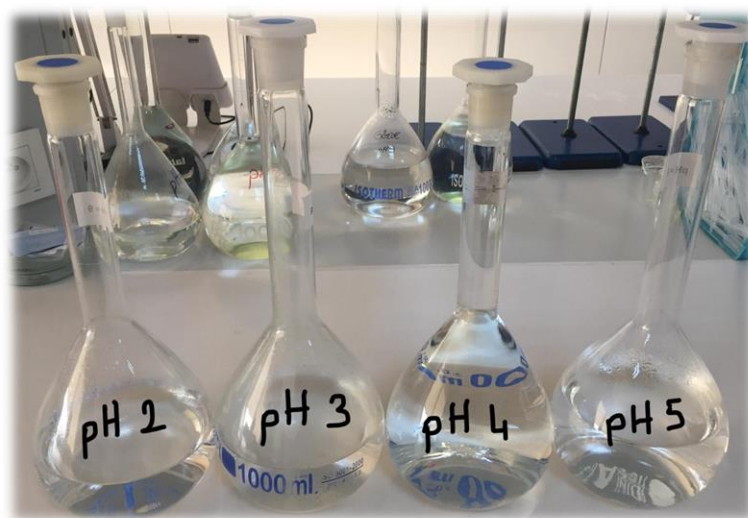


Figure 2.1. pH Waters

2.1.2. Preparation of the Solutions Used

To prepare aqueous solutions of Cr (VI) ion, solid potassium dichromate ($K_2Cr_2O_7$) was used. One gram of potassium dichromate was weighed and added to a beaker containing pH 2 water. The mixture was stirred on a magnetic stirrer and then transferred to a 500 mL volumetric flask.

The volume was completed with pH 2 water. The same procedure was repeated using pH 3-4-5 water. Additionally, 1000 ppm stock Cr (VI) solutions with pH 2-3-4-5 were prepared.

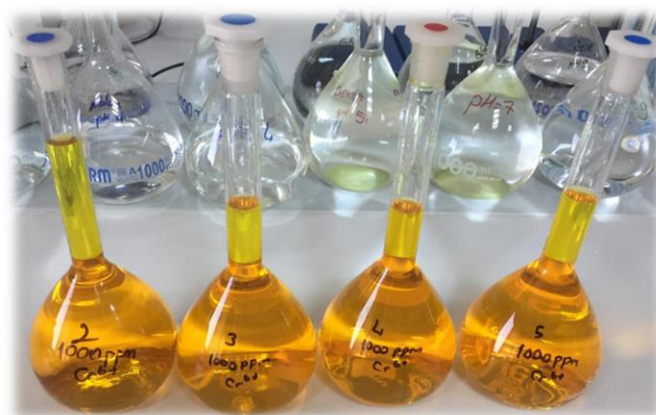


Figure 2.2. 1000 ppm Cr (VI) stock solutions

The UV-VIS spectrophotometer (HACH LANGE DR 5000) was used to perform wavelength scanning of any of the 1000 ppm Cr (VI) stock solutions between 200-800 nm. The wavelength at which the maximum absorption occurred was determined as 346 nm and was used in all measurements.

The stock solution was initially prepared at a concentration of 1000 ppm and used as a reference for the preparation of other dilute solutions. Solvent was used to dilute the stock solution to the appropriate pH for each solution. Solutions of 10, 20, 30, and 40 ppm were prepared in 25 mL volumetric flasks.

For example, to prepare a 10 ppm solution, 0.25 mL of the stock Cr (VI) solution was added to pH 2 water and the volume was made up to 25 mL. The same procedure was followed for other pH values, and calibration solutions were prepared.

$$M_1 \cdot V_1 = M_2 \cdot V_2$$

$$25 \text{ mL} \cdot 10 \text{ ppm} = x \text{ mL} \cdot 1000 \text{ ppm}$$

$$x = 0.25 \text{ mL}$$

$$25 \text{ mL} \cdot 20 \text{ ppm} = x \text{ mL} \cdot 1000 \text{ ppm} \quad x=0.50 \text{ mL}$$

$$25 \text{ mL} \cdot 30 \text{ ppm} = x \text{ mL} \cdot 1000 \text{ ppm} \quad x=0.75 \text{ mL}$$

$$25 \text{ mL} \cdot 40 \text{ ppm} = x \text{ mL} \cdot 1000 \text{ ppm} \quad x=1 \text{ mL}$$

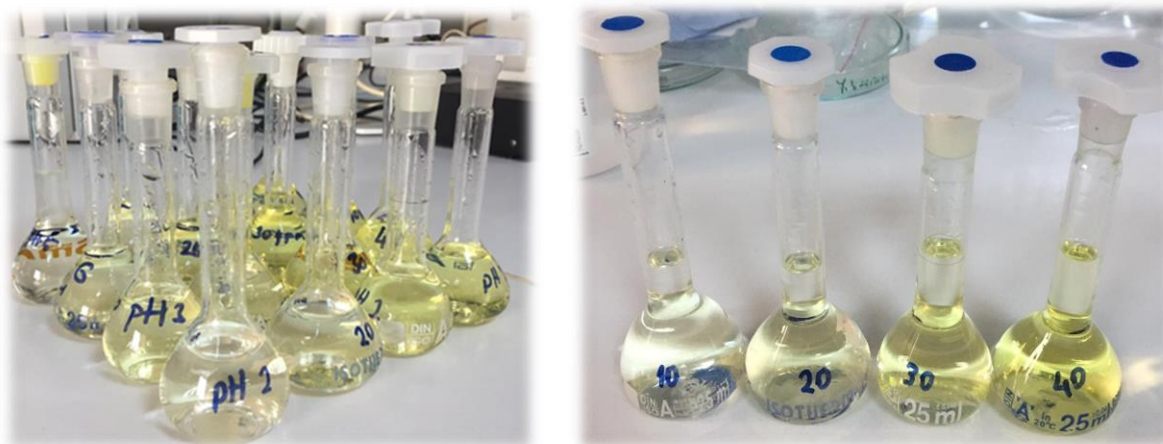


Figure 2.3. Calibration Solutions

2.1.3. Investigation of pH Effect on Adsorption of Cr (VI) Ions

0.01 grams of A4 polymer were added to the vials, followed by the addition of 10 mL of calibration solutions prepared at varying pH levels and concentrations. The adsorption process was carried out in the dark for 24 hours. Once the maximum adsorption was reached, the solutions were measured at 346 nm using a UV-VIS spectrophotometer to determine the absorbance values.

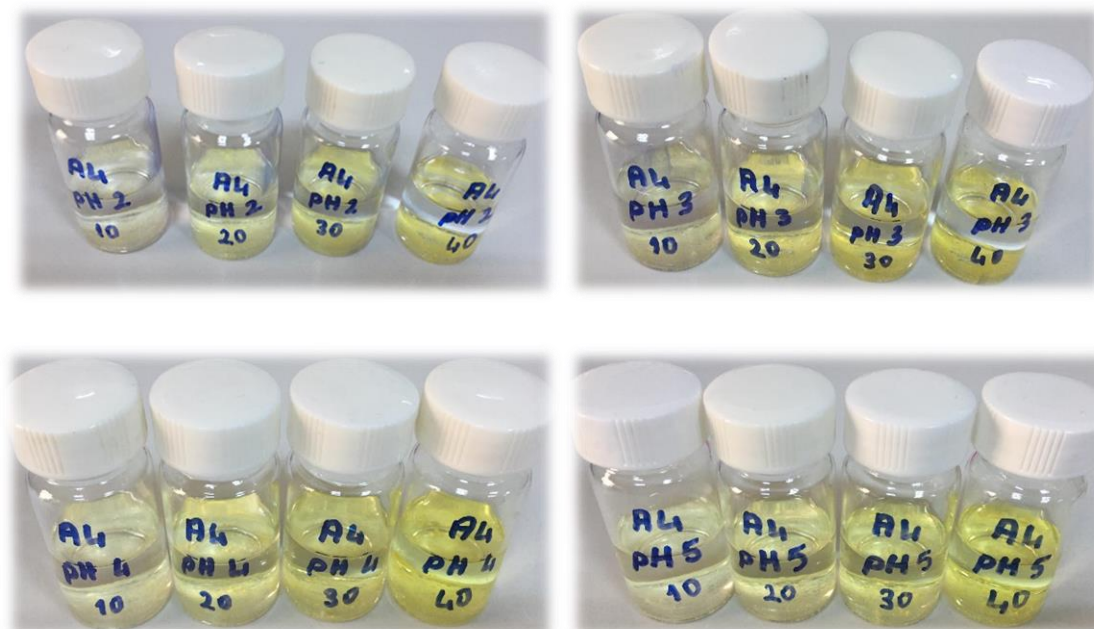


Figure 2.4. Cr (VI) solutions with A4 polymer added in the vial

2.2. Experimental Results and Discussion

Absorbance values were measured in a UV-VIS spectrophotometer at a wavelength of 346 nm for calibration solutions with concentrations of 10, 20, 30, and 40 ppm. Calibration graphs were then created based on these measurements.

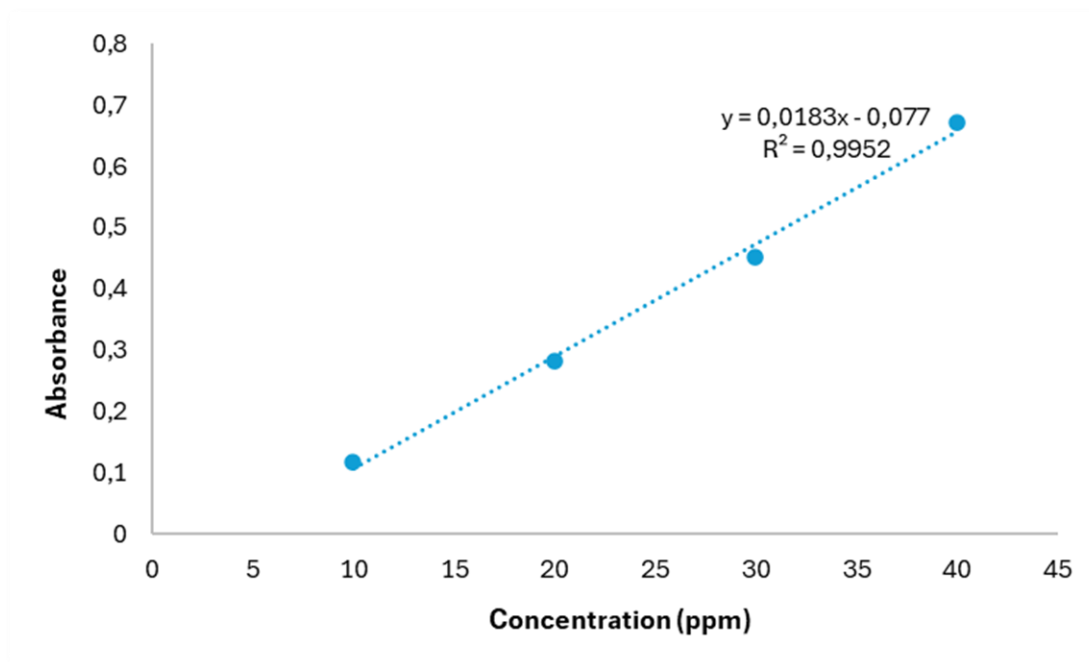


Figure 2.5. Calibration graph for pH 2

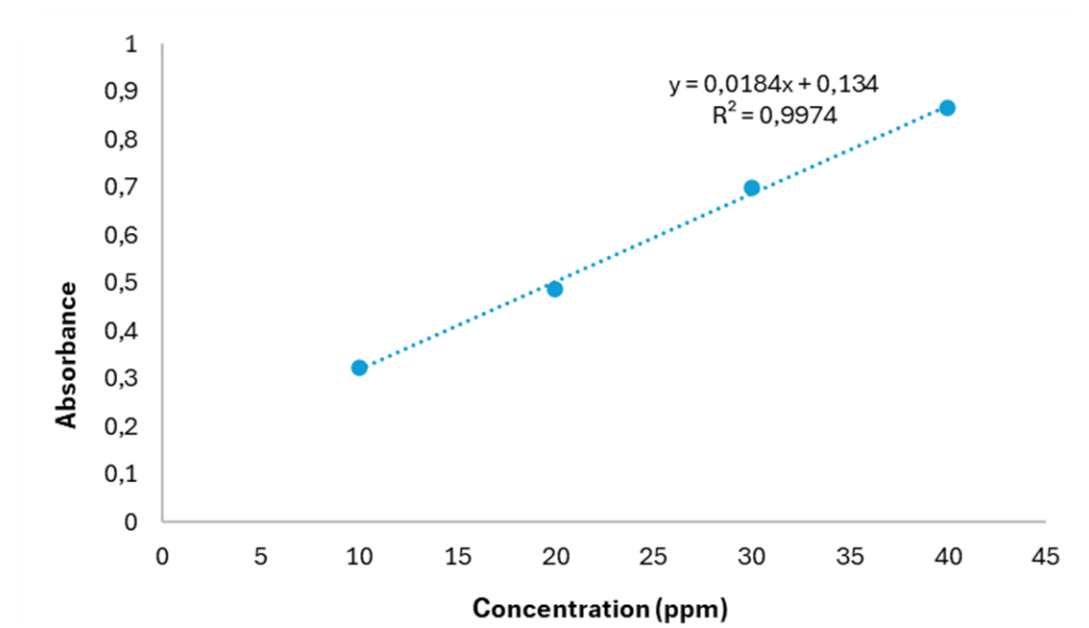


Figure 2.6. Calibration graph for pH 3

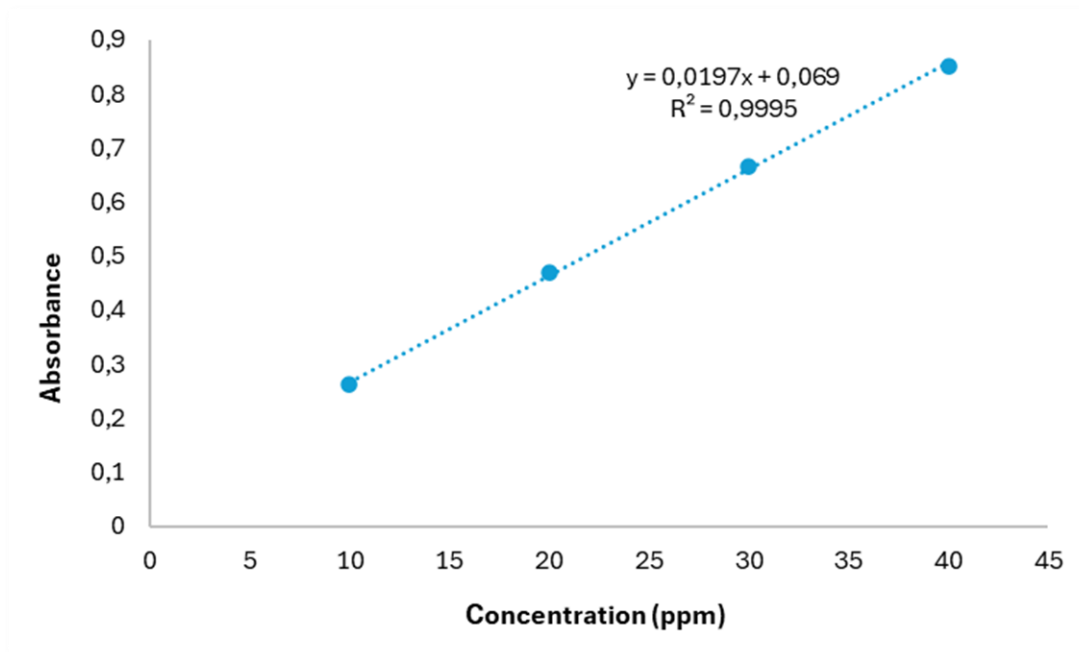


Figure 2.7. Calibration graph for pH 4

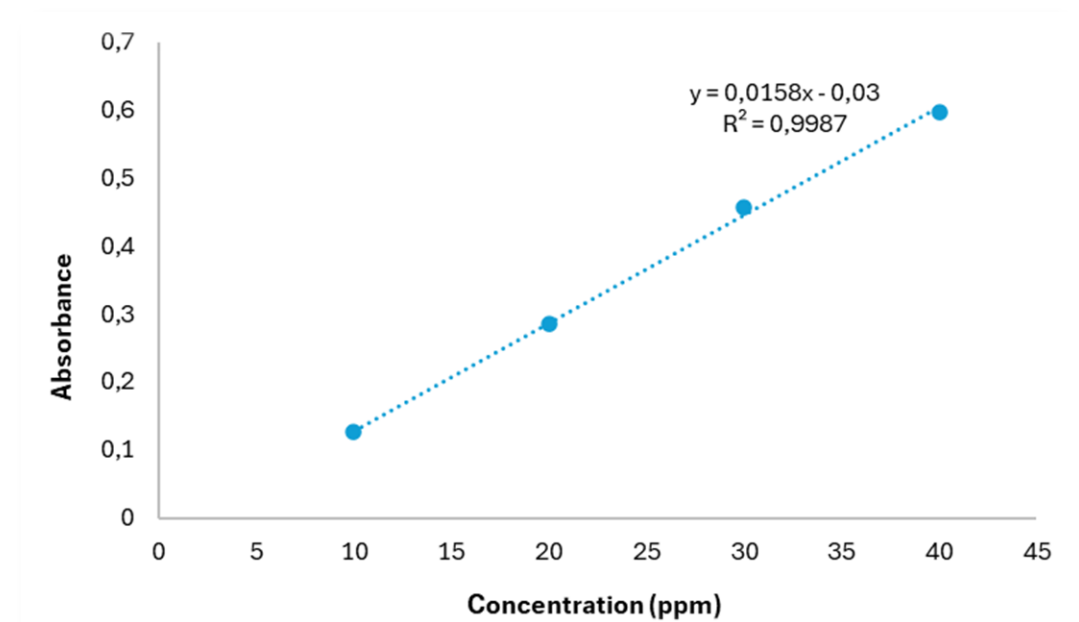


Figure 2.8. Calibration graph pH 5

2.2.1. Determination of Adsorption Capacity and Percent Removal

pH	C ₀	Absorbance Value	C _{son}	Polymer Amount	Adsorption Capacity (Q _e)	% Removal
2	40	0.102	9.781420765	0.01	30.21857923	75.54644809
3	40	0.356	12.06521739	0.01	27.93478261	69.83695652
4	40	0.425	18.07106599	0.01	21.92893401	54.82233503
5	40	0.507	33.98734177	0.01	6.012658228	15.03164557

Table 2.1. Measurement results for 40 ppm at the end of 24 hours

The temperature, time, polymer amount, and concentration parameters were kept constant throughout the experiments. A solution concentration of 40 ppm was used throughout. The calculations related to the experiment are presented below.

For pH 2;

$$C_{son} = (\text{Absorbance Value} + 0.077) / 0.0183$$

$$C_{son} = (0.102 + 0.077) / 0.0183 = 9.781420765$$

$$Q_e = C_0 - C_{son}$$

$$Q_e = 40 - 9.781420765 = 30.21857923$$

$$\% \text{ Removal} = (Q_e / C_0) \times 100$$

$$\% \text{ Removal} = (30.21857923 / 40) \times 100 = 75.54644809$$

The experiment was repeated for pH values of 3, 4, and 5, and the results for adsorption capacity and percent removal were recorded.

2.2.2. pH Effect

The presence of Cr (VI) species in soil and water systems is highly dependent on pH, which is a crucial factor affecting adsorption (Öter, 2021). Cr (VI) exists in the form of anionic species, including HCrO_4^- , $\text{Cr}_2\text{O}_7^{2-}$, and CrO_4^{2-} (Saha and Orvig, 2010). In aqueous solutions with a pH above 6, Cr (VI) forms the tetrahedral yellow chromate ion CrO_4^{2-} . Between pH 2 and 6, HCrO_4^- and the orange-red dichromate ion $\text{Cr}_2\text{O}_7^{2-}$ are in equilibrium. At pH levels below 1, the primary species formed is H_2CrO_4 (Arslan and Tor, 2009). Figure 2.9 shows that the adsorption capacity

(Q_e) decreases as the pH increases. Therefore, the maximum adsorption capacity was achieved at pH 2.

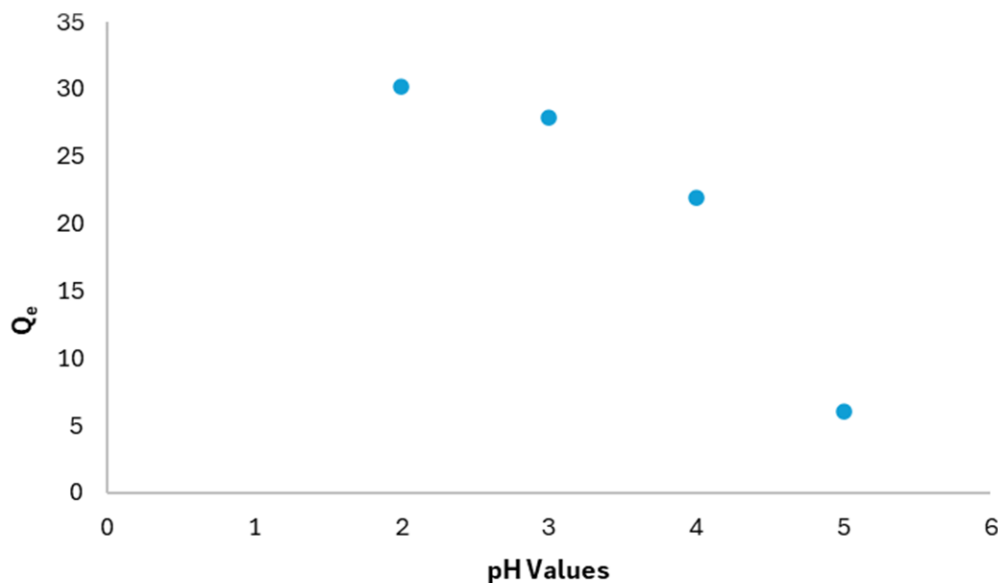


Figure 2.9. Effect of pH on Cr (VI) adsorption of A4 polymer

3. CONCLUSIONS

The study investigated the usability of A4 polymer, synthesized by the suspension polymerization method, as an adsorbent for removing chromium (VI) ions from aqueous media.

The maximum adsorption capacity was found to be 30.219 mg/g at pH 2.

The results indicate that A4 polymer is most effective at pH 2, with a percentage removal of 75.5%.

REFERENCES

- Alemu A., Lemma B., Gabbiye N., Alula M. T., Desta M. T. (2018). Removal of Chromium (VI) from Aqueous Solution Using Vesicular Basalt: A potential Low Cost Wastewater Treatment System. Volume 4, Issue 7.
- Arbabi M., Golshani N. (2016). Removal of Copper Ions Cu (II) from Industrial Wastewater: A Review of Removal Methods. *International Journal of Epidemiologic Research*, 3(3), 283-293.
- Arslan G., Tor A. (2009). Facilitated Transport of Cr (VI) Through a Novel Activated Composite Membrane Containing Cyanex 923 as a Carrier. Volume 337, 224-231.
- Gunatilake S. (2015). Methods of Removing Heavy Metals from Industrial Wastewater. *Journal of Multidisciplinary Engineering Science Studies*, Volume 1.
- Islam M. A., Angove M. J., Morton D. W. (2019). Recent innovative research on chromium (VI) adsorption mechanism. *Environmental Nanotechnology, Monitoring & Management*, 12, 100267.
- Kara A. (2009). Adsorption of Cr (VI) ions onto poly(ethylene glycol dimethacrylate-1- vinyl-1,2,4-triazole). *Journal of Applied Polymer Science*, 114 (2).
- Kara A., Aksoy S., Beşirli N. (2012). Adsorption Properties of Cr (VI) onto Microspheres Carrying Imidazole Functional Groups: Kinetic and Isotherm Studies. *Hacettepe J. Biol. & Chem.*, 40 (1), 37-44.

- Kong Z., Du Y., Wei J., Zhang H., Fan L. (2021). Synthesis of a new Ion-imprinted Polymer for Selective Cr(VI) Adsorption from Aqueous Solutions Effectively and Rapidly. Journal of Colloid and Interface Science, Volume 588, 749-760.
- Nriagu J. O., Nieboer E. (1989). Chromium in the Natural and Human Environments.
- Owlad M., Aroua M. K., Daud W. A. W., Baroutian S. (2009). Removal of Hexavalent Chromium-Contaminated Water and Wastewater: A Review. Volume 200, 59-77.
- Öter Ç. (2021). Kromun Zencefil Tozu Üzerine Adsorpsiyon ile Atık Sulardan Uzaklaştırılması. Düzce Üniversitesi Bilim ve Teknoloji Dergisi, 9, 480-492.
- Qin X. Y., Chai M. R., Ju D. Y., Hamamoto O. (2018). Investigation of Plating Wastewater Treatment Technology for Chromium, Nickel and Copper. Earth and Environmental Science, 191.
- Rashid R., Shafiq I., Akhter P., Iqbal M. J., Hussain M. (2021). A state-of-the-art review on wastewater treatment techniques: the effectiveness of adsorption method. Environmental Science and Pollution Research, Volume 28, pages 9050–9066.
- Saha B., Orvig C. (2010). Biosorbents for Hexavalent Chromium Elimination from Industrial and Municipal Effluents. Coordination Chemistry Reviews, Volume 254, 2959-2972.

SULU ÇÖZELTİLERDE BAKIRIN ADSORPSİYON YÖNTEMİYLE pH ÜZERİNDEKİ ETKİSİNİN İNCELENMESİ

Esra YALÇINER

Bursa Uludağ University, Faculty of Arts and Sciences, Department of Chemistry, Bursa, Turkey
ORCID ID: 0009-0008-6910-6395

Petek BALCI

Bursa Uludağ University, Faculty of Arts and Sciences, Department of Polymer Materials, Bursa, Turkey
ORCID ID: 0009-0009-0981-1647

Prof. Dr. Ali KARA

Bursa Uludağ University, Faculty of Arts and Sciences, Department of Polymer Materials, Bursa, Turkey
ORCID ID: 0000-0003-2457-6314

ÖZET

Dünyada bulunan ağır metallerin insanlar üzerinde birçok zararlı etkisi bulunmaktadır. Endüstriyel alandaki faaliyetlerin artmasıyla birlikte, ağır metallerin salınımı çevresel kirlilikleri de arttırmaktadır. Ağır metallerle birlikte artan çevre kirliliği ve insan sağlığı üzerindeki olumsuz etkisi nedeniyle bu kirliliğin sulu ortamdan uzaklaştırılması gerekmektedir. Bunun için çeşitli yöntemler kullanılmaktadır. Bu çalışma kapsamında ise sulu ortamdan Bakır(II) iyonlarının adsorpsiyon yöntemiyle uzaklaştırılması amaçlanmıştır. Süspansiyon polimerizasyon yöntemi ile sentezlenen A4 polimerinin Bakır (II) iyonlarının sulu ortamdan uzaklaştırılmasında adsorbent olarak kullanılabilirliği pH etkisi üzerinde incelenmiştir.

Bu çalışmada, 2.5-3.5-4.5-5.5'lük pH suları 1 M'lık hidroklorik asit (HCl) ve 0.1 M'lık sodyum hidroksit (NaOH) kullanılarak ayarlanmıştır. pH metre ile ölçümleri yapılmıştır. Cu (II) iyonunun sulu çözeltilerinin hazırlanabilmesi için Bakır (II) Nitrat Trihidrat [Cu (NO₃)₂.3H₂O] katısı kullanılmıştır. UV-VIS Spektrofotometre ile yapılan analizler Cu (II) için pH'ı 2.5-3.5-4.5-5.5 olan 4000 ppm konsantrasyonunda stok çözeltiler hazırlanmıştır. Farklı pH'taki Cu (II) stok çözeltileri kullanılarak 1000-2000-3000-4000 ppm'lik çözeltiler 25 mL'lik balon jodede her bir pH için hazırlanmıştır. Viallerin içerisine 0.01 gram A4 polimeri eklenip üzerine 10 mL farklı pH ve konsantrasyonlarda hazırlanan çözeltiler ilave edilmiştir. Adsorpsiyon 24 saat boyunca karanlık bir ortamda gerçekleştirilmiştir. Deney sırasında zaman, polimer miktarı, sıcaklık ve konsantrasyon parametreleri sabit tutulmuştur. Maksimum adsorpsiyon sonunda çözeltiler UV-VIS spektrofotometre cihazında 302 nm'de ölçümler yapılmıştır. Maksimum adsorpsiyon kapasite değerleri pH 4.5'te 3996.164 mg/g olarak bulunmuştur. Böylece A4 polimerin en iyi pH 4.5'te çalıştığı ve yüzde gideriminin 99.90 olduğu belirlenmiştir.

Anahtar Kelimeler: Adsorpsiyon, Polimer, Bakır (II), Atık Su, pH Etkisi

INVESTIGATION OF THE EFFECT OF COPPER ON pH IN AQUEOUS SOLUTIONS BY ADSORPTION METHOD

ABSTRACT

Heavy metals found in the world can have harmful effects on humans. As industrial activities increase, so does the release of heavy metals, leading to environmental pollution. To mitigate the negative impact of heavy metal pollution on human health, it is necessary to remove it from aqueous environments. Various methods are used for this purpose. This study aims to remove Copper (II) ions from aqueous media using the adsorption method. The study investigated the usability of A4 polymer, synthesized through the suspension polymerization method, as an adsorbent for removing Copper (II) ions from aqueous media. The effect of pH was also examined.

In this study, pH of 2.5-3.5-4.5-5.5 was adjusted using 1 M hydrochloric acid (HCl) and 0.1 M sodium hydroxide (NaOH). pH was measured with a pH meter. Copper (II) nitrate trihydrate [Cu (NO₃)₂.3H₂O] solid was used to prepare aqueous solutions of Cu (II) ion. For the analysis by UV-VIS Spectrophotometer, stock solutions were prepared at a concentration of 4000 ppm with a pH of 2.5-3.5-4.5-5.5 for Cu (II). Using Cu (II) stock solutions at different pHs, 1000-2000-3000-4000 ppm solutions were prepared for each pH in 25 mL flasks. 0.01 gram of A4 polymer was added into the vials and 10 mL of solutions prepared at different pH and concentrations were added. Adsorption was carried out in a dark environment for 24 hours. Time, polymer amount, temperature and concentration parameters were kept constant during the experiment. At the end of maximum adsorption, the solutions were measured at 302 nm in UV-VIS spectrophotometer. Maximum adsorption capacity values were found to be 3996.164 mg/g at pH 4.5. Thus, it was determined that A4 polymer worked best at pH 4.5 and the percentage removal was 99.90.

Keywords: Adsorption, Polymer, Copper (II), Wastewater, pH Effect

1. INTRODUCTION

Environmental pollution poses significant challenges to the world, with heavy metal pollution being one of the most pressing issues (Li et al., 2024). The presence of heavy metals in wastewater has been on the rise due to the increase in industrial and anthropogenic activities. These activities include the coating and electroplating industry, battery production, pesticide use, mining, rayon production, metal rinsing processes, tanning, fluidized bed bioreactors, textile production, metal smelting, petrochemicals, paper production, and electrolysis applications (Qasem et al., 2021). Heavy metals are non-biodegradable and tend to accumulate

in living organisms. Many heavy metal ions are known to be toxic or carcinogenic, unlike organic pollutants (Fu and Wang, 2011).

The treatment of industrial wastewater raises concerns about toxic heavy metals, particularly zinc, copper, mercury, lead and Chromium (Arbabi and Golshani, 2016). Copper is a vital trace element essential for humans due to its involvement in enzyme synthesis, as well as the development of tissues and bones. Nonetheless, excess consumption of divalent copper (Cu^{2+}) can be toxic and carcinogenic when ingested. Overconsumption of Cu^{2+} leads to its accumulation in the liver, resulting in symptoms such as vomiting, headache, nausea, respiratory issues, abdominal pain, liver and kidney failure, and ultimately gastrointestinal bleeding (Bilal et al., 2013).

Copper-containing wastewater is typically divided into two main types according to its constituents: acidic copper-containing effluent, consisting mainly of Cu^{2+} , CuCl_2 and $[\text{Cu}(\text{H}_2\text{O})_n]^{2+}$; and alkaline copper-containing effluent, dominated by $\text{Cu}(\text{NH}_3)_2^{2+}$. Among these components, Cu^{2+} is considered the most toxic. As a result, the US Environmental Protection Agency has set the permissible limit of Cu^{2+} in industrial wastewater at 1.3 mg/L. Similarly, the World Health Organization stipulates that the Cu^{2+} content in drinking water should not exceed 2 mg/L (Li et al., 2024).

The choice of the most appropriate wastewater treatment process relies on fundamental parameters including pH levels, initial metal concentrations, the specificity of the applied treatment compared to alternative technologies, environmental impacts, and economic considerations. Additionally, the technical feasibility, simplicity, and cost-effectiveness of the plant are crucial factors that significantly influence the selection of the optimal technology (Krstić et al., 2018). There are many methods for the removal and recovery of heavy metals from wastewater. These methods include chemical treatment with lime, application of caustic agents, reverse osmosis, membrane filtration, ion exchange, adsorption, and precipitation (Chang et al., 2002). Adsorption is the most effective of these methods. The other methods have inherent limitations such as the formation of large amounts of sludge, low efficiency, sensitive operating conditions and costly disposal. Adsorption is a relatively new process and is emerging as a preferred method for heavy metal removal due to its flexibility in design, high quality treated effluent, recyclability and regenerability of the adsorbent (Renu et al., 2017).

The aim of this study was to investigate the suitability of A4 polymer synthesized by suspension polymerization method as an adsorbent for the removal of copper (II) ions from aqueous media, focusing on the pH effect.

2. RESEARCH AND FINDINGS

2.1. Experimental Studies

2.1.1. Preparation of pH Waters

Waters with pH values of 2.5, 3.5, 4.5, and 5.5 were prepared by employing 1M Hydrochloric Acid (HCl) and 0.1M Sodium Hydroxide (NaOH) solutions. The pH adjustments were measurements utilizing a Mettler-Toledo pH meter.

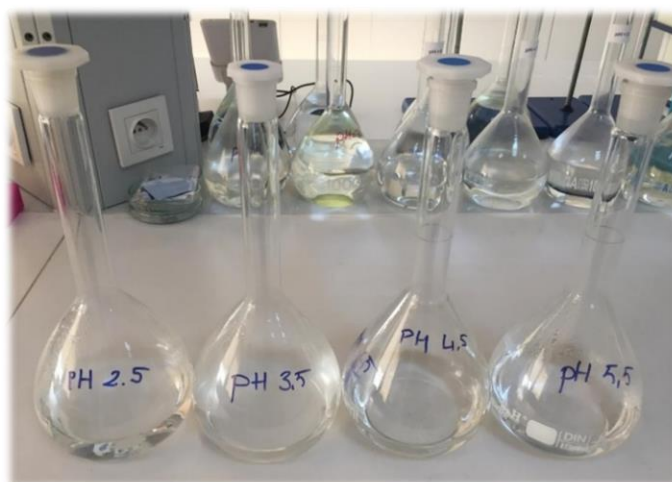


Figure 2.1. pH waters

2.1.2. Preparation of the Solutions Used

Copper (II) nitrate trihydrate $[\text{Cu}(\text{NO}_3)_2 \cdot 3\text{H}_2\text{O}]$ solid was used to prepare aqueous solutions of Cu (II) ion. Weighed 2.58 gram of Copper (II) nitrate trihydrate into a beaker, added some pH 2.5 water and stirred on a magnetic stirrer. It was transferred to a 500 mL volumetric flask and the volume was completed with pH 2.5 water. The same procedure was performed using pH 3.5-4.5-5.5 water and 4000 ppm stock Cu (II) solutions with pH 2.5-3.5-4.5-5.5 were prepared.



Figure 2.2. 4000 ppm Cu (II) stock solutions

Wavelength scanning of any of the 4000 ppm Cu (II) stock solutions was performed with a UV-VIS spectrophotometer (HACH LANGE DR 5000) between 200-800 nm. As a result of the wavelength scan, the wavelength at which the maximum absorption occurred was determined as 302 nm and this wavelength was used in all measurements.

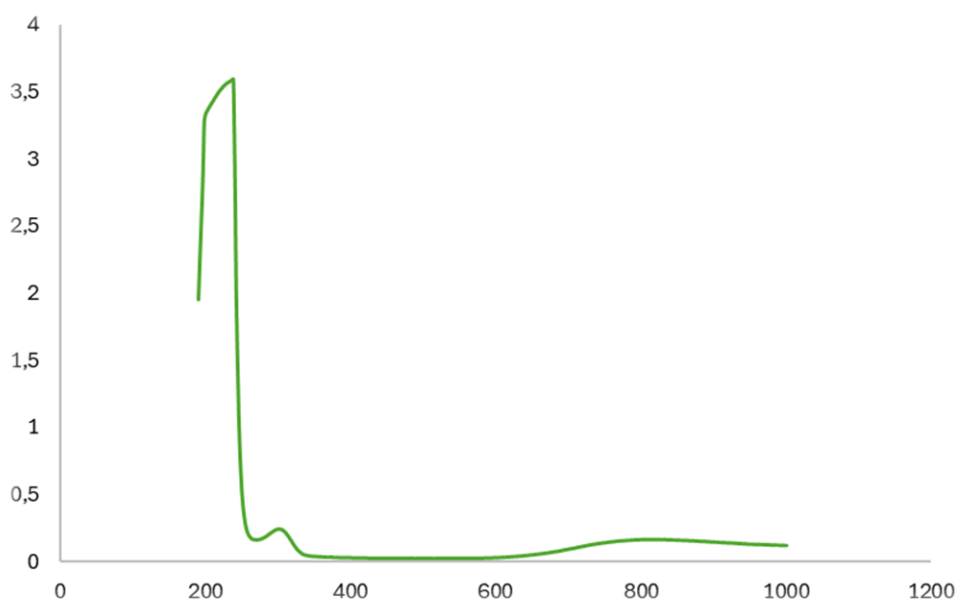


Figure 2.3. Result of wavelength scanning of Cu (II) stock solution

The stock solution was initially prepared at a specific concentration (4000 ppm) and this solution was used as a reference for the preparation of other dilute solutions. Dilutions from the stock solution were made with solvent at the pH of each solution. Solutions of 1000-2000-3000-4000 ppm were prepared in a 25 mL volumetric flask.

For example; for 1000 ppm, 6.25 mL of the stock Cu (II) solution was taken and the volume was made up to 25 mL with pH 2.5 water. The same procedure was performed for other pHs and calibration solutions were prepared.

$$M_1 \cdot V_1 = M_2 \cdot V_2$$

$$25 \text{ mL} \cdot 1000 \text{ ppm} = x \text{ mL} \cdot 4000 \text{ ppm}$$

$$x = 6.25 \text{ mL}$$

$$25 \text{ mL} \cdot 2000 \text{ ppm} = x \text{ mL} \cdot 4000 \text{ ppm} \quad x=12.50 \text{ mL}$$

$$25 \text{ mL} \cdot 3000 \text{ ppm} = x \text{ mL} \cdot 4000 \text{ ppm} \quad x=18.75 \text{ mL}$$

$$25 \text{ mL} \cdot 4000 \text{ ppm} = x \text{ mL} \cdot 4000 \text{ ppm} \quad x=25 \text{ mL}$$

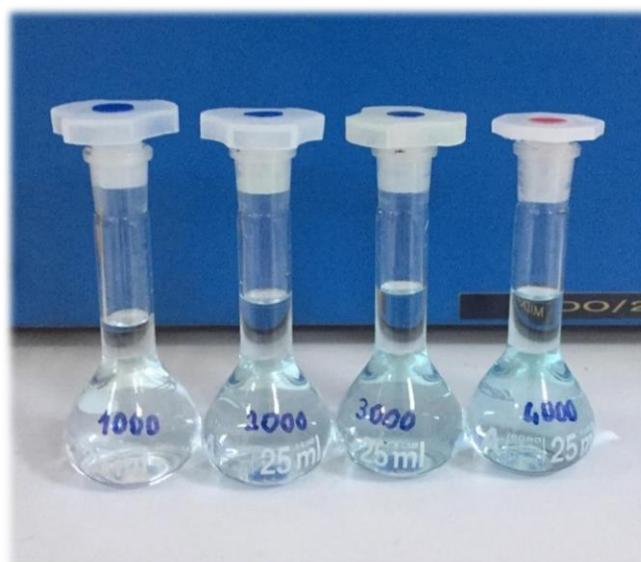


Figure 2.4. Calibration Solutions

2.1.3. Investigation of pH Effect on Adsorption of Cu (II) Ions

0.01 gram of A4 polymer was added into the vials and 10 mL of calibration solutions prepared at different pH and concentrations were added. Adsorption was carried out in the dark for 24 hours. At the end of maximum adsorption, the solutions were measured at 302 nm in UV-VIS spectrophotometer and absorbance values were determined.

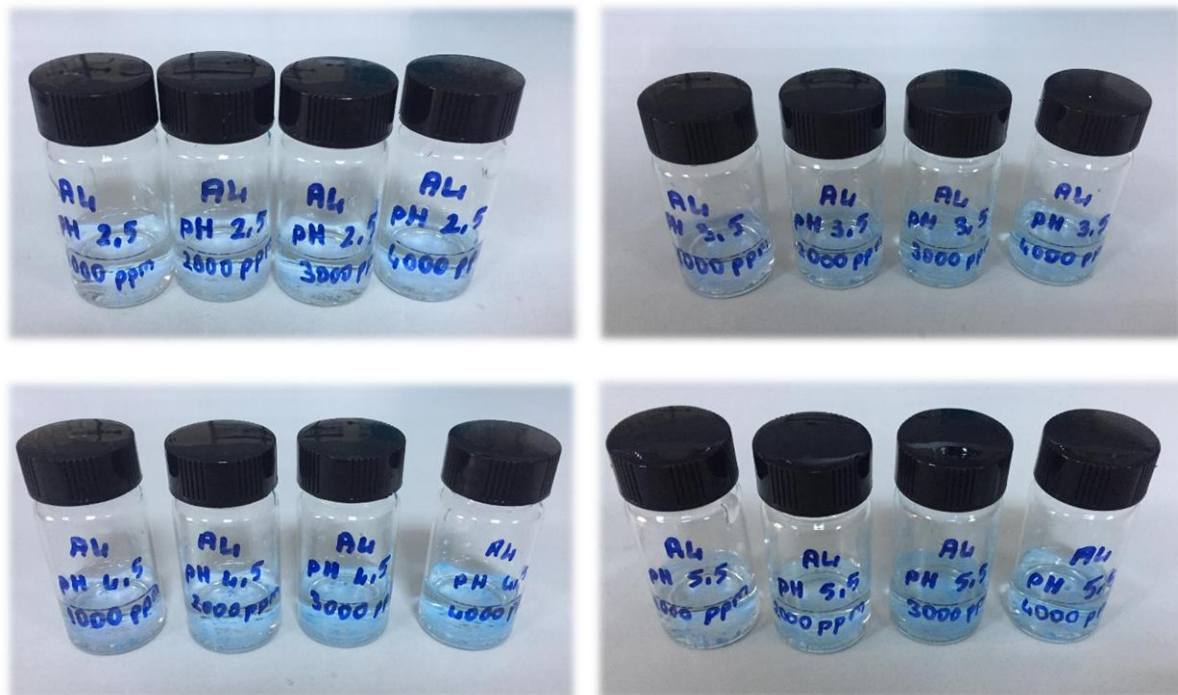


Figure 2.5. Cu (II) solutions with A4 polymer added in the vial

2.2. Experimental Results and Discussion

The absorbance values of the calibration solutions at 1000, 2000, 3000, 4000 ppm concentrations were measured at 302 nm wavelength in UV-VIS spectrophotometer and calibration graphs were created.

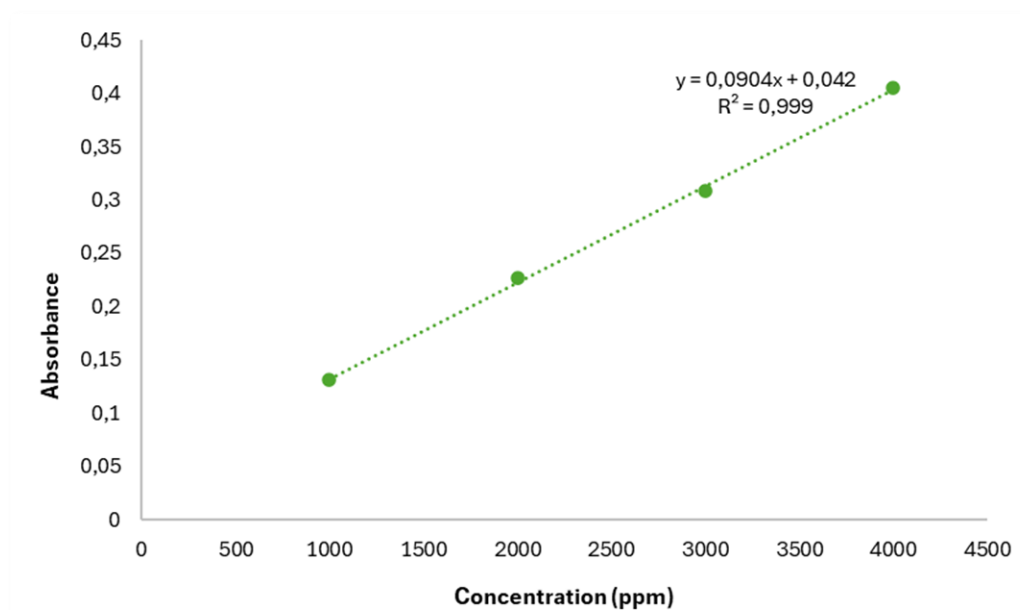


Figure 2.6. Calibration graph for pH 2.5

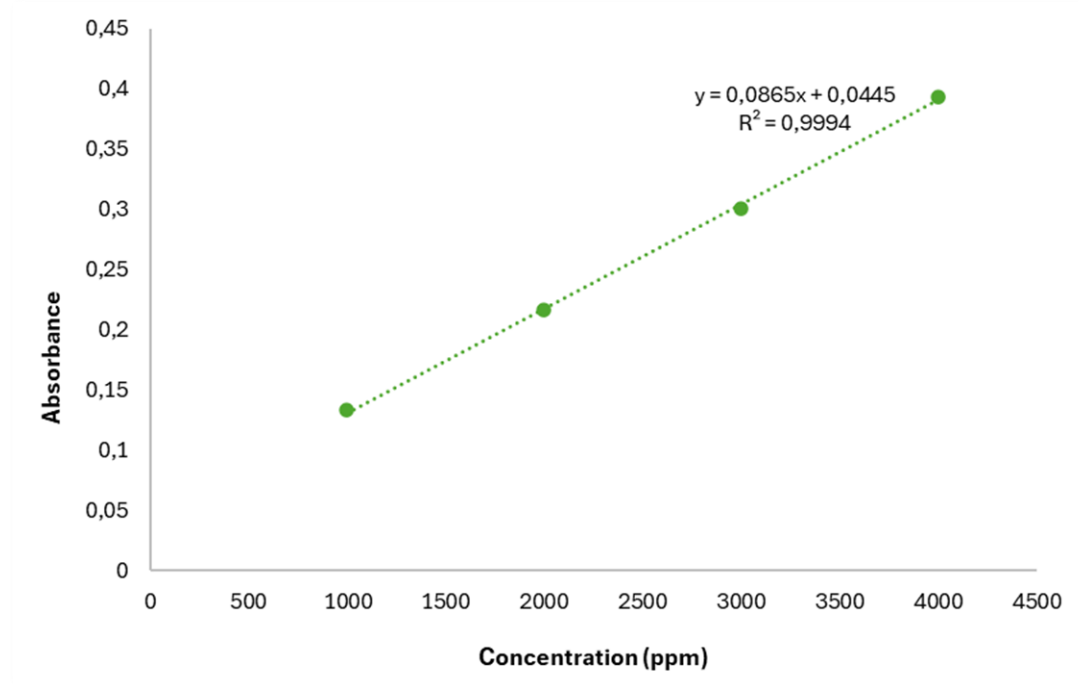


Figure 2.7. Calibration graph for pH 3.5

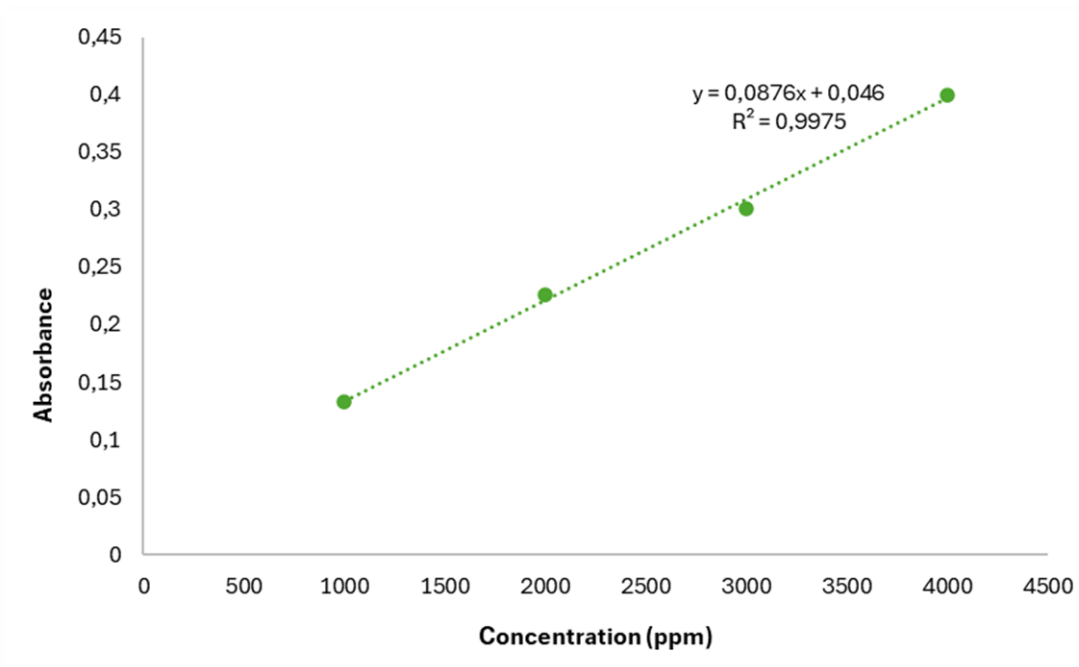


Figure 2.8. Calibration graph for pH 4.5

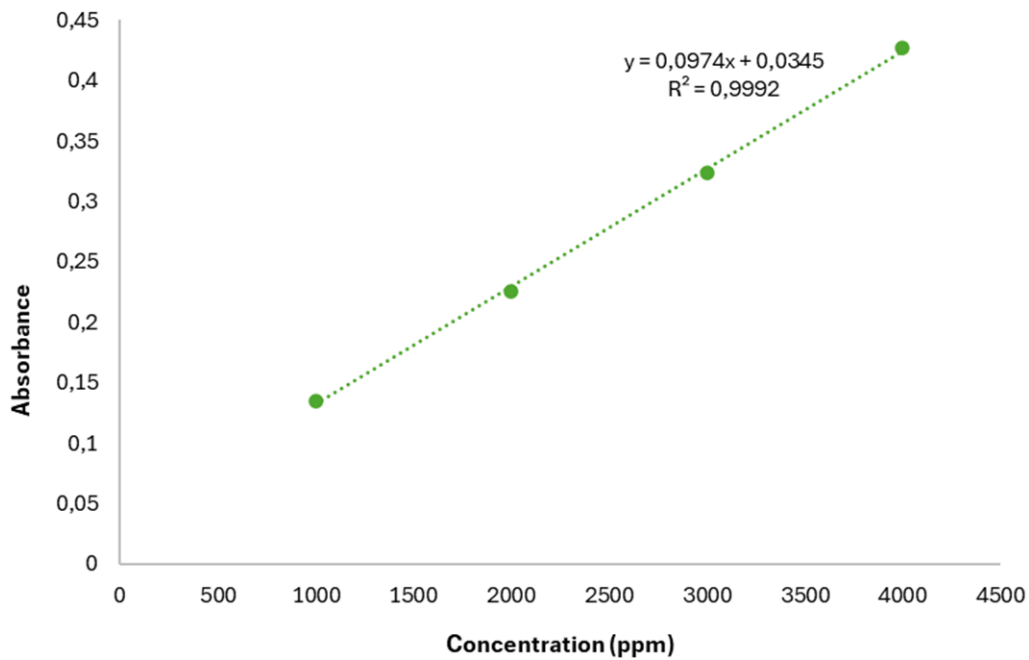


Figure 2.9. Calibration graph for pH 5.5

2.2.1. Determination of Adsorption Capacity and Percent Removal

The effect of pH on the adsorption of Cu (II) aqueous solution with A4 polymer synthesized by suspension polymerization method was investigated. The time, temperature, concentration and polymer amount parameters were kept constant during the experiments. All experiments were carried out under the same conditions. Adsorption capacity (Q_e) values were determined for each pH.

$$Q_e = \frac{(C_0 - C_e)V}{m}$$

Q_e = Adsorption capacity (mg/g)

C_0 = Concentration (mg/L)

C_e = Cu (II) concentration remaining in solution (mg/L)

V = Solution volume (mL)

m = Polymer amount (g)

The percent removal values were calculated for each pH with the formula below.

$$\% \text{ Removal} = \frac{(C_0 - C_e) \times 100}{C_e}$$

pH	Adsorption Capacity (Q_e)	% Removal
2.5	3995.840708	99.8960177
3.5	3995.878613	99.89696532
4.5	3996.164384	99.90410959
5.5	3995.682752	99.89206879

Table 2.1. Measurement results for 4000 ppm at the end of 24 hours

2.2.2. pH Effect

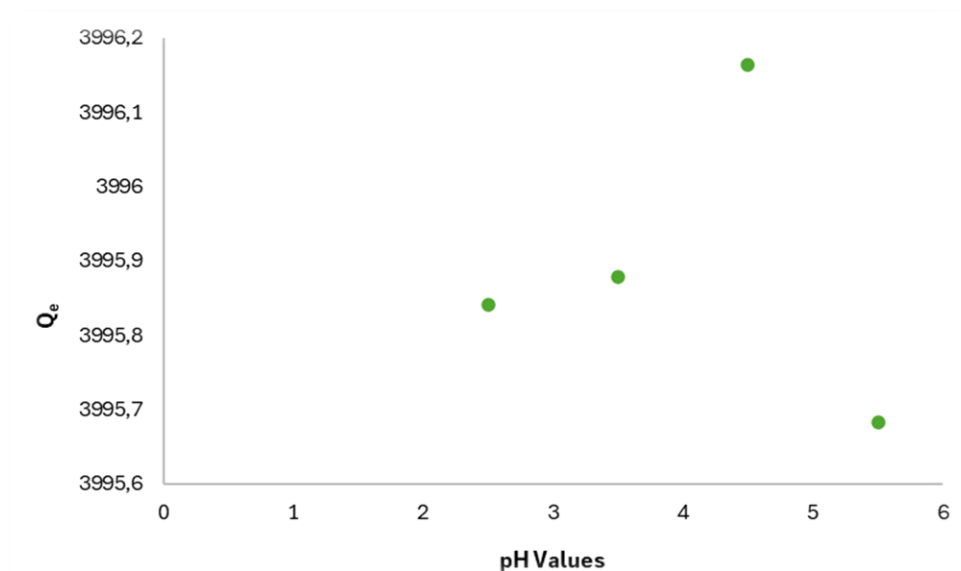


Figure 2.9. Effect of pH on Cu (II) adsorption of A4 polymer

The usability of A4 polymer used as adsorbent for adsorption of copper (II) ions from aqueous solutions was investigated in the range of pH 2.5-5.5. As a result of the studies, it was observed that after showing a good performance at pH 4.5, a decrease occurred.

The removal of metal ions from contaminated water is mainly controlled by the pH of the solution. It is not recommended to use the basic zone for metal ion removal. This is due to its ability to form hydroxides.

The increase in Cu(II) ion removal efficiency in the acidic zone is related to the general increase in the number of cationic sites on the surface of the composite adsorbent.

3. CONCLUSIONS

The research aimed to assess the efficacy of A4 polymer, synthesized via suspension polymerization, as an adsorbent for adsorption copper (II) ions from aqueous solutions, with particular emphasis on the influence of pH.

The maximum adsorption capacity of 3996.164 mg/g observed at pH 4.5 signifies the optimal performance of A4 polymer under these conditions, achieving a removal efficiency of 99.90%.

Based on the findings, it was concluded that A4 polymer demonstrates superior efficacy at pH 4.5, resulting in a removal efficiency of 99.90%.

REFERENCES

- Arbabi M., Golshani N. (2016). Removal of Copper Ions Cu (II) from Industrial Wastewater: A Review of Removal Methods. *International Journal of Epidemiologic Research*, 3(3), 283-293.
- Bilal M., Shah J. A., Ashfaq T., Gardazi S. M. H., Tahir A. A., Pervez A., Haroon H., Mahmood Q. (2013). Waste biomass adsorbents for copper removal from industrial wastewater-A review. *Journal of Hazardous Materials*, Volume 263, Part 2, 322-333.
- Chang Y. K., Chang J. E., Lin T. T., Hsu Y. M. (2002). Integrated copper-containing wastewater treatment using xanthate process. *Journal of Hazardous Materials*, Volume 94, Issue 1, 89-99.
- Fu F., Wang Q. (2011). Removal of heavy metal ions from wastewaters: A review. *Journal of Environmental Management*, Volume 92, Issue 3, 407-418.
- Krstić V., Urošević T., Pešovski B. (2018). A review on adsorbents for treatment of water and wastewaters containing copper ions. *Chemical Engineering Science*, Volume 192, 273-287.
- Li Q., Wang Y., Chang Z., Kolaly W. E., Fan F., Li M. (2024). Progress in the treatment of copper(II)-containing wastewater and wastewater treatment systems based on combined technologies: A review. *Journal of Water Process Engineering*, Volume 58, 104746.
- Salman S., Hasan N., Hasan M., Kubra K. T., Sheikh C., Rehan A. I., Waliullah R. M., Rasee A. I., Awual E., Hossain M. S., Alsukaibi A. K. D., Alshammari H. M., Awual R. (2023). Improving copper(II) ion detection and adsorption from wastewater by the ligand-functionalized composite adsorbent. *Journal of Molecular Structure*, Volume 1282, 135259, ISSN 0022-2860, <https://doi.org/10.1016/j.molstruc.2023.135259>.
- Qasem N. A. A., Mohammed R. H., Lawal D. U. (2021). Removal of heavy metal ions from wastewater: a comprehensive and critical review. *Clean Water*, volume 4, Article number: 36.
- Renu, Agarwal M., Singh K. (2017). Heavy metal removal from wastewater using various adsorbents: a review. *Journal of Water Reuse and Desalination*, 7 (4), 387–419.

ENHANCED CO₂ SENSING ALONG WITH CHITOSAN, ZnO/GO and POLYMETHYL METHACRYLATE COMPOSITES

Vedat AZRAK

Dokuz Eylul University, The Graduate School of Natural And Applied Sciences, Department of Chemistry, Tinaztepe Campus,

ORCID ID: 0009-0005-1792-4394

Özlem ÖTER

Dokuz Eylul University, The Graduate School of Natural And Applied Sciences, Department of Chemistry, Tinaztepe Campus,

ORCID ID: 0000-0001-9267-6849

ABSTRACT

This study was deeply focused on developing a novel gaseous CO₂ sensor based on the emission based response of HPTS in chitosan/GO/ZnO/polymethyl methacrylate composites. HPTS is a well known fluorescent dye which possess a decreasing luminescence intensity at 520 nm to CO₂ [1]. The ion-pair form of the HPTS was used in the polymethyl methacrylate matrix either in thin film and fiber forms containing chitosan, GO/ZnO and chitosan/GO/ZnO as additives. Chitosan has received important attention due to its structural characteristics such as being biocompatible, biodegradable, cost-effective, non-toxic polymer and its suitability for gas storage. It is a biopolymer having amine-rich groups which is appropriate especially for CO₂ adsorption purposes [2]. Thus we have employed chitosan for the first time either in solid or dissolved forms in polymethyl methacrylate matrices for enhancing CO₂ sensitivity of HPTS based optical sensors. Also we have utilized chitosan together with graphene oxide/zinc oxide in order to increase the surface area of chitosan and polymethyl methacrylate polymers. The best results were obtained for the optimum concentration of chitosan containing thin film sensor slides which exhibited 30 times higher sensitivity than with the ones which do not contain any chitosan. The addition of GO/ZnO composite did not revealed a significant enhancement in the sensor response, however, it facilitated the fiber sensor formation by electrospinning process due to its increasing effect of electrical conductivity.

Keywords: Optical CO₂ Sensor, Fluorescence, Chitosan

References

Fathalian, F., Moghadamzadeh, H., Hemmati, A., & Ghaemi, A. *Scientific Reports* (2024) 14:3186
Zeyrek Ongun, M., Oğuzlar, S., Köse Yaman, P., & Öter, Ö. *Spectrochimica Acta - Part A: Molecular and Biomolecular Spectroscopy*, (2021), 263.

CHITOSAN, ZnO/GO ve POLYMETHYL METHACRILATE KOMPOZİTLERİ İLE BİRLİKTE GELİŞTİRİLMİŞ CO₂ ALGILAMA

ÖZET

Bu çalışma, kitosan/GO/ZnO/polimetil metakrilat kompozitlerinde HPTS'nin emisyonu dayalı tepkisine dayanan yeni bir gaz CO₂ sensörü geliştirmeye derinlemesine odaklanmıştır. HPTS, 520 nm'de CO₂'e karşı azalan bir lüminesans yoğunluğuna sahip iyi bilinen bir floresan boyadır (Zeyrek Ongun vd., 2021). HPTS'nin iyon çifti formu, polimetil metakrilat matrisinde, katkı maddesi olarak kitosan, GO/ZnO ve kitosan/GO/ZnO içeren ince film ve fiber formlarında kullanılmıştır. Kitosan, biyoyumlu, biyolojik olarak parçalanabilir, uygun maliyetli, toksik olmayan polimer olması ve gaz depolamaya uygunluğu gibi yapısal özellikleri nedeniyle önemli bir ilgi görmüştür. Özellikle CO₂ adsorpsiyonu için uygun olan amin bakımından zengin gruplara sahip bir biyopolimerdir (Fathalian vd., 2024). Bu nedenle, HPTS tabanlı optik sensörlerin CO₂ hassasiyetini arttırmak için kitosanı ilk kez katı veya çözünmüş formlarda polimetil metakrilat matrislerinde kullandık. Ayrıca kitosan ve polimetil metakrilat polimerlerinin yüzey alanını arttırmak için kitosanı grafen oksit/çinko oksit ile birlikte kullandık. En iyi sonuçlar, kitosan içermeyenlere kıyasla 30 kat daha yüksek hassasiyet sergileyen kitosan içeren ince film sensör slaytlarının optimum konsantrasyonu için elde edilmiştir. GO/ZnO kompozitinin eklenmesi sensör yanıtında önemli bir artış ortaya koymamış, ancak elektrik iletkenliğini artırıcı etkisi nedeniyle elektrospinning işlemi ile fiber sensör oluşumunu kolaylaştırmıştır.

Anahtar Kelimeler: Optik CO₂ Sensörü, Fluroesans, Kitosan

Kaynakça

Fathalian, F., Moghadamzadeh, H., Hemmati, A., & Ghaemi, A. *Scientific Reports* (2024) 14:3186
Zeyrek Ongun, M., Oğuzlar, S., Köse Yaman, P., & Öter, Ö. *Spectrochimica Acta - Part A: Molecular and Biomolecular Spectroscopy*, (2021), 263.

Pd NANOPARTİKÜL DEKORE EDİLMİŞ POLİDOPAMİN ELEKTROTTA ETANOL ELEKTROOKSİDASYONU

Elif TEMUR

Atatürk University, Faculty of Science, Department of Nanoscience and Nanoengineering

ORCID ID: 0000-0002-6656-2407

Hülya ÖZTÜRK DOĞAN

Atatürk University, Vocational School of Technical Sciences, Department of Chemistry and Chemical Processing Technologies

ORCID ID: 0000-0002-4072-7744

ÖZET

Yenilenebilir alternatif enerji kaynakları arasında doğrudan alkollü yakıt hücresi (DAFC) sistemleri yüksek enerji verimliliği sayesinde ön plana çıkmaktadırlar. DAFC sistemlerinde yakıt olarak çoğunlukla metanol ve etanol tercih edilmektedir. Metanol ile kıyaslandığında etanol, toksik olmaması ve biyokütleden elde edilebilmesinden dolayı daha cazip bir yakıt kaynağıdır. DAFC'lerde elektrokatalizör olarak çoğunlukla platin (Pt) kullanılır. Ancak Pt pahalıdır ve doğada sınırlı miktarda bulunmaktadır. Paladyum (Pd) bazlı elektrokatalizörler Pt'den nispeten daha ucuz olduğundan Pt'e iyi bir alternatiftir. Elektrokatalizör bileşiminde Pd miktarını en aza indirmek amacıyla iletken polimerler iyi bir strateji olabilir. Bu çalışmada iletken polimer olarak polidopamin (PDA) kalem ucu elektrot (PGE) yüzeyinde üretildi ve sonrasında PDA/PGE elektrodun yüzeyi Pd nanoparçacıkları ile dekore edildi. Elektrokimyasal teknik ile hazırlanan Pd@PDA/PGE elektrotların etanol elektrooksidasyonundaki elektrokatalitik özellikleri araştırıldı. Deneysel sonuçlar, Pd@PDA/PGE elektrotların alkali ortamda etanol yakıt hücrelerinde elektrot malzemesi olarak doğrudan kullanılabileceğini göstermiştir.

Anahtar Kelimeler: Polidopamin, Pd nanoparçacık, Elektrodpozisyon, Etanol elektrooksidasyonu.

ETHANOL ELECTROOXIDATION ON Pd NANOPARTICLE DECORATED POLYDOPAMINE ELECTRODE

ABSTRACT

Among renewable alternative energy sources, direct alcohol fuel cell (DAFC) systems stand out due to their high energy efficiency. DAFC systems mostly use methanol and ethanol as fuel. Compared to methanol, ethanol is a more attractive fuel source because it is non-toxic and can be obtained from biomass. Platinum (Pt) is most commonly used as the electrocatalyst in DAFCs. However, Pt is expensive and is found in limited amounts in nature. Palladium (Pd)-based electrocatalysts are a good alternative to Pt because they are relatively cheaper than Pt. Conductive polymers may be a good strategy to reduce the amount of Pd in the electrocatalyst composition. In this study, polydopamine (PDA) as a conductive polymer was produced on the pencil graphite electrode (PGE) surface, and then the surface of the PDA/PGE electrode was decorated with Pd nanoparticles. The electrocatalytic properties of Pd@PDA/PGE electrodes prepared by electrochemical technique in ethanol electrooxidation were investigated. Experimental results showed that Pd@PDA/PGE electrodes can be directly used as electrode materials in ethanol fuel cells in alkaline environment.

Keywords: Polydopamine, Pd nanoparticles, Electrodeposition, Ethanol electro-oxidation.

1. GİRİŞ

Doğrudan alkol yakıt hücreleri (DAFC'ler), yüksek enerji verimliliği ve güç yoğunluğu, düşük çalışma sıcaklıklarında kullanım kolaylığı ve toksik olmaması nedeniyle oldukça dikkat çekici bir güç kaynağı olarak kabul edilmektedir (Lamy, 2002). Metanol, etanol ve izopropanol gibi alkoller genellikle DAFC'ler için yakıt olarak kullanılır. Bu organik yakıtlar karşılaştırıldığında etanol, şekerin fermantasyonundan kolaylıkla elde edilebilmesi, yüksek enerji yoğunluğuna ve daha düşük toksisiteye sahip olması gibi üstün avantajlarından dolayı daha sık tercih edilmektedir. Bu hücrelerde kaynak olarak kullanılacak yakıt ile beraber bir diğer önemli bileşen sistemi katalize edecek materyaldir. Literatür çalışmalarında elektrokatalitik aktivite gösteren malzemelere yönelik araştırmalar büyük ilgi konusu olmaya devam etmektedir. Kullanılacak katalizör için en önemli gereksinimlerden bazıları maliyeti, dayanıklılığı, katalizörün stabilitesi ve etanol oksidasyonu için katalizör desteğidir (Vigier, 2006). Platin (Pt), Altın (Au) ve Rutenyum (Ru) gibi metaller, etanol oksidasyon reaksiyonları için elektrokatalizör olarak kullanılmaktadır (Qui, 2015). Fakat bu metal elektrotlar oldukça

maliyetli ve aktivite kaybı gibi dezavantajlara sahiptirler (Mazumder ve Sun, 2009). Metal katalizörün maliyetini azaltmak ve kataliz zehirlenmesini önlemek için bu metallere alternatif olarak çeşitli karbon destekli (karbon nanotüp, aktif karbon ve grafen) kompozitler (Zhao, 2020) veya polimerler (Yang, 2008) elektrokatalizörlere destek malzemeleri olarak kullanılmıştır. Özellikle Pd ile modifiye edilmiş elektrotlar, son yıllarda kapsamlı olarak çalışılan elektrokatalizör uygulaması olmuştur (Ge, 2007).

Bu çalışma kapsamında, PGE elektrot yüzeyi polimerleştirilmiştir dopamin ile kaplanmıştır. Daha sonra PdCl₂ çözeltisi kullanılarak elde edilen PDA/PGE elektrot yüzeyi Pd nanoparçacıklar ile dekore edilmiştir. Her iki adımda materyal sentezi için, çevre dostu, basit, hızlı, ucuz ve homojen parçacık dağılımı gibi avantajlara sahip elektrokimyasal yöntem kullanılmıştır. Etanol elektro-oksidasyonu için Pd ile modifiye edilmiş PDA/PGE elektrotunun elektrokatalitik aktivitesi tartışılmaktadır.

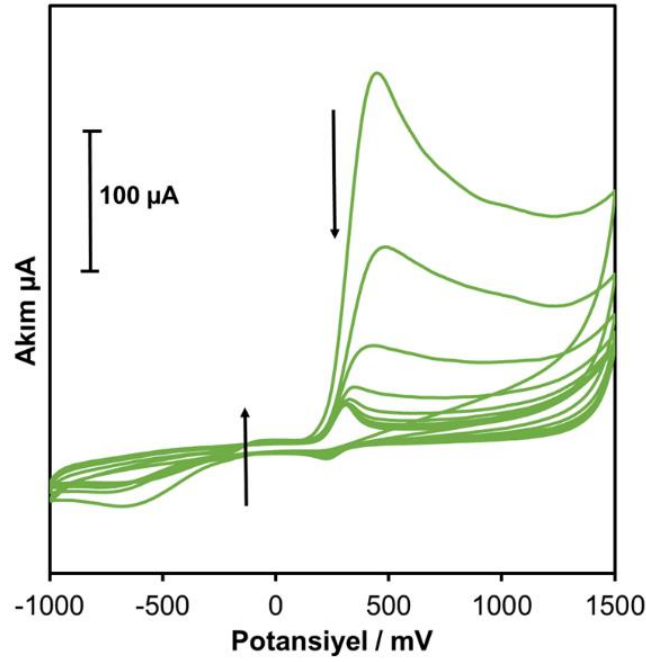
2. ARAŞTIRMA VE BULGULAR

2.1. Deneysel Çalışmalar

Deneysel çalışmalarda, Elektrokimyasal ölçümler için referans olarak Ag/AgCl elektrot, karşıt elektrot platin tel ve çalışma elektrodu olarak PGE elektrodun kullanıldığı geleneksel üç elektrotlu hücre sistemi tercih edilmiştir. Dopamin polimerizasyonu için, 5 mM dopamin pH=7 fosfat tamponu içerisinde çözülmüş ve dönüşümlü voltametri (CV) tekniğinden yararlanılarak dopamin, PGE elektrot yüzeyinde polimerleştirilmiştir. Daha sonra paladyum nanoparçacıkların elektrokimyasal sentezi için 0,1 M HCl içerisinde çözülmüş 2 mM PdCl₂ çözeltisi kullanılmıştır. Elektrokimyasal ko-depozisyon tekniği ile PDA/PGE elektrot yüzeyine 50 mV sabit potansiyel altında 2 dakika boyunca Pd nanoparçacıkları dekore edilmiştir. Elde edilen Pd@PDA/PGE elektrotların kristal örgüleri ve yapısal analizi X-ışını kırınımı (XRD) spektrumu ile incelenmiştir. Yakıt hücrelerinde katalizör olarak kullanılması hedeflenen Pd@PDA/PGE elektrodun aktivitesi, 1 M C₂H₅OH ve 0,5 M NaOH içeren çözelti ile CV tekniğinden yararlanılarak ölçülmüştür.

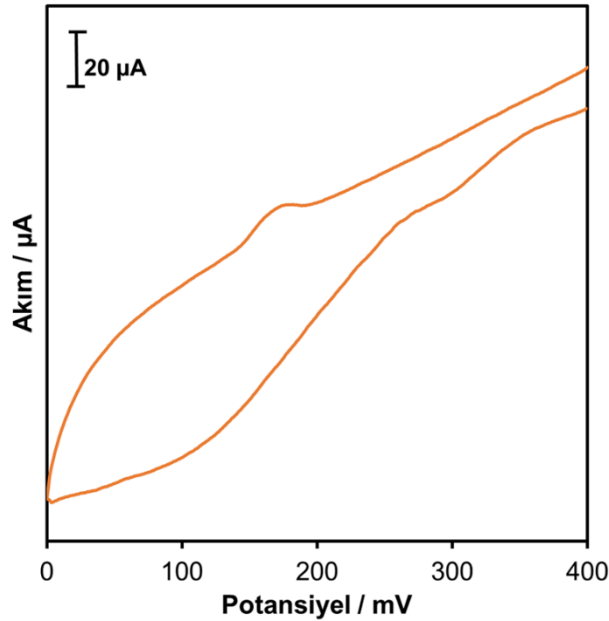
2.2. Deneysel Sonuçlar

PGE elektrot yüzeyinde dopamin polimerizasyonu için dönüşümlü voltamogram tekniğinden yararlanılmıştır. 5 mM Dopamin içeren pH=7 fosfat tamponu içerisinde 50 mV/s tarama hızında -1,0 V/ 1,5 V potansiyel aralığında alınan 10 çevrim dönüşümlü voltametri grafiği şekil 2.1'de gösterilmektedir. Her CV taramasında, polidopaminin elektrot yüzeyine birikmesi nedeniyle akımın istikrarlı bir şekilde azaldığı gözlemlenmiştir.



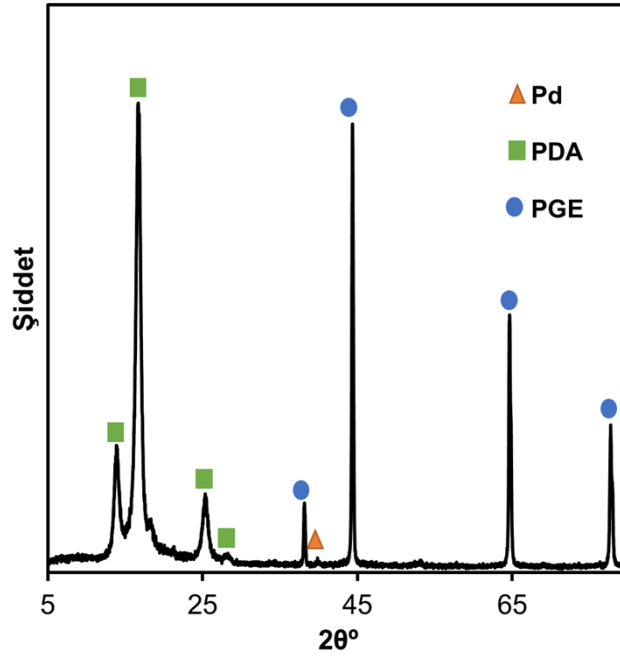
Şekil 2.1. PGE elektrodun 5 mM Dopamin içeren pH=7 Fosfat tamponu içerisinde alınan dönüşümlü voltamogramı.

Pd nanoparçacık depozisyon potansiyelini belirlemek için 2 mM PdCl₂ (0,1 M HCl) çözeltisi içerisinde PDA/PGE elektrodun elektrokimyasal davranışı CV tekniği ile incelenmiştir (Şekil 2.2). Kaydedilen CV grafiği incelendiğinde; yaklaşık +50 mV sabit potansiyel altında 2 dakika süreyle, elektropolimerizasyon yöntemi ile hazırlanmış PDA/PGE elektrotların yüzeyi Pd nanoparçacıklar ile dekore edilmiştir.



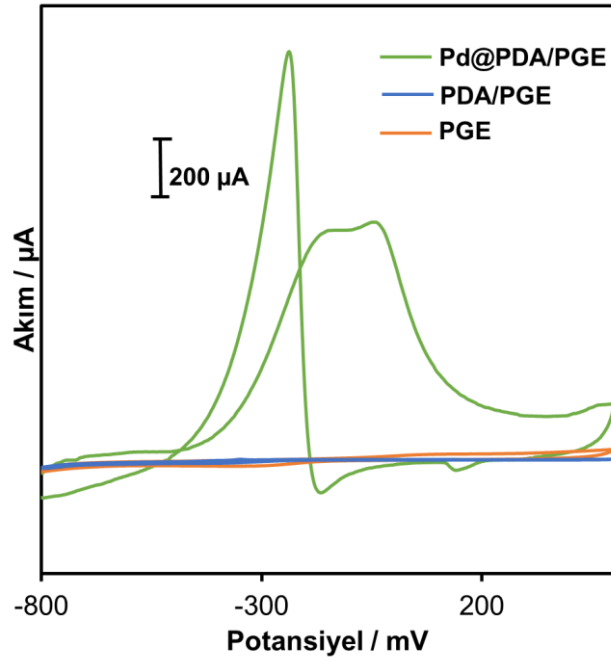
Şekil 2.2. PDA/PGE elektrodun Pd sulu çözeltisi içerisinde alınan dönüşümlü voltamogramı.

Elde edilen Pd@PDA/PGE elektrotların yapısal analizi için XRD tekniğinden yararlanılmıştır (Şekil 3.1). Alınan XRD spektrumu incelendiğinde PGE substrat ve Pd@PDA malzemesi dışında herhangi bir kırınım pikine rastlanmamıştır. Paladyum nanoparçacıklarına ait yaklaşık 40° (111) spesifik kırınım piki (JCPDS kart no. 05-0681) (Chen, 2010) ve PDA'ya ait yaklaşık 23° , 25° ve 26° 'de elde edilen kırınım pikleri (JCPDS kart no. 08-0247) (Meng, 2017) elektrokimyasal polimerizasyon ve deposisyon yöntemi ile Pd@PDA/PGE elektrotlarının başarılı bir şekilde sentezlendiğini desteklemektedir.



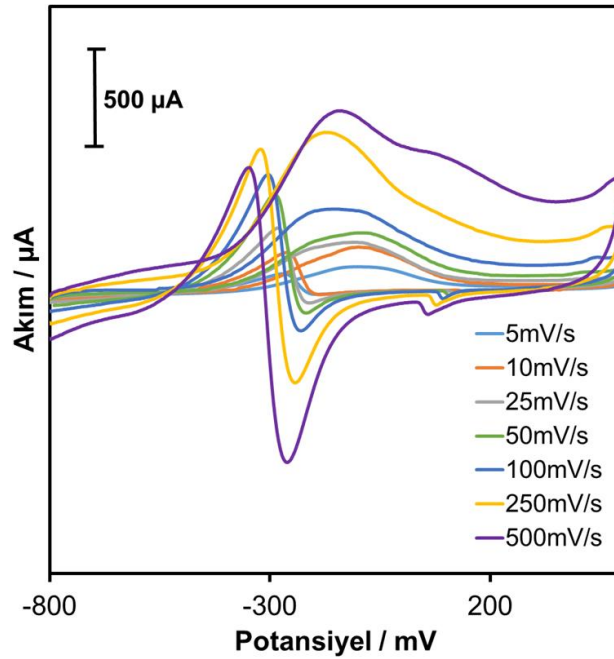
Şekil 2.3. Pd@PDA/PGE elektrot için alınan XRD spektrumu.

Şekil 2.4'de, Pd nanoparçacıklarının, PDA/PGE elektrotların etanol elektrooksidasyonu için katalitik aktivitesine kazandırdığı olumlu özellikleri karşılaştırmak amacıyla CV grafikleri üst üste çakıştırılmıştır. 1 M C_2H_5OH ve 0,5 M NaOH çözeltisi içerisinde alınmış dönüşümlü voltametri grafikleri incelendiğinde Pd nanoparçacıklar ile dekore edilmiş elektrot PDA/PGE ve PGE elektrotlara kıyasla; -300 mV potansiyelde oldukça dikkat çekici ve akım yoğunluğu yüksek etanol oksidasyon piki sergilemiştir.



Şekil 2.4. PGE, PDA/PGE ve Pd@PDA/PGE elektrotların etanol çözeltisi içerisinde alınan dönüşümlü voltamogramı.

Etanol elektrooksidasyonu için önemli parametrelerden bir tanesi de farklı tarama hızları altında kaydedilen oksidasyon pikinin incelenmesidir. Bu amaçla, 5 mV/s ile 500 mV/s tarama hızları arasında CV grafikleri kaydedilmiştir (Şekil 2.5.). Tarama hızının artmasına bağlı olarak etanol oksidasyonuna ait akım yoğunluğu değeri de artış göstermiştir. Bu elektrokimyasal davranış Pd@PDA yapıları yüzeyinde etanol elektrooksidasyonunun difüzyon kontrollü bir süreç üzerinden gerçekleştiğini işaret etmektedir.



Şekil 2.5. Farklı tarama hızlarında etanol çözeltisi içerisinde Pd@PDA/PGE elektrot için alınan dönüşümlü voltamogram grafikleri.

3. SONUÇ

- Dopamin, PGE substrat üzerine elektrokimyasal polimerizasyon yöntemi kullanılarak sentezlenmiştir.
- Elde edilen PDA/PGE elektrot Pd nanoparçacık ile elektrokimyasal depozisyon yöntemi kullanılarak dekore edilmiştir.
- Pd ile dekore edilmiş PDA/PGE elektrot XRD yöntemi ile yapısal olarak karakterize edilmiştir.
- Pd@PDA/PGE elektrodun etanol elektro oksidasyon performansı dönüşümlü voltametri tekniği kullanılarak incelenmiş ve elde edilen sonuçlara göre Pd@PDA/PGE elektrodun doğrudan alkol yakıt pilleri (DAFC) uygulamasında katalizör olarak kullanılabileceği öngörülmüştür.

KAYNAKÇA

- Chen, H., Wei, G., Ispas, A., Hickey, S.G., Eychmu" ller, A. (2010). Synthesis of Palladium Nanoparticles and Their Applications for Surface Enhanced Raman Scattering and Electrocatalysis. *J. Phys. Chem. C*, 114, 21976–21981.
- Ge, J., Xing, W., Xue, X., Liu, C., Lu, T., Liao, J. (2007). Controllable Synthesis of Pd Nanocatalysts for Direct Formic Acid Fuel Cell (DAFC) Application: From Pd Hollow Nanospheres to Pd Nanoparticles. *J. Phys. Chem. C*, 111, 17305-17310.
- Lamy, C., Lima, A., LeRhun, V., Delime, F., Coutanceau, C., Leger, J. (2002). Recent advances in the development of direct alcohol fuel cells (DAFC). *Journal of Power Sources*, 105, 283-296.
- Mazumder, V., and Sun, S. (2009). Oleylamine-Mediated Synthesis of Pd Nanoparticles for Catalytic Formic Acid Oxidation. *J. Am. Chem. Soc.*, 131, 4588–4589.
- Meng, R., Chen, Y., Zhang, W., Dong, X., Ma H., Wang, G. (2017). Synthesis of a hydrophilic α sulfur/PDA composite as a metal-free photocatalyst with enhanced photocatalytic performance under

visible light. *Journal of Macromolecular Science, Part A: Pure and Applied Chemistry*, Vol. 54, No. 5, 334–338.

Qiu, Y., Huo, J., Jia, F., Shanksa, B.H., Li, W. (2015). N- and S-doped mesoporous carbon as metal-free cathode catalysts for direct biorenewable alcohol fuel cells. *J. Mater. Chem. A*, 4, 83.

Vigier, F., Rousseau, S., Coutanceau, C., Leger, J., Lamy C. (2006). Electrocatalysis for the direct alcohol fuel cell. *Topics in Catalysis*, Vol. 40.

Yang, C., Chiu, S., Lee, K., Chien, W., Lin, C., Huang, C. (2008). Study of poly(vinyl alcohol)/titanium oxide composite polymer membranes and their application on alkaline direct alcohol fuel cell. *Journal of Power Sources*, 184, 44–51.

Zhao, X., Liu, Q., Li, Q., Chen, L., Mao, L., Wang, H., Chen, S. (2020). Two-dimensional electrocatalysts for alcohol oxidation: A critical review. *Chemical Engineering Journal*, 400, 125744.

BİR SAVAŞÇININ GÖKLERDEKİ TASAVVURU: DİVAN EDEBİYATINDA MİRRÎH

Emre VURAL

Amasya University, Faculty of Education, Department of Turkish Teaching
Amasya Campus

ORCID ID: 0000-0002-4870-6200

ÖZET

Gezegenler ve yıldızlar kadim zamanlardan itibaren oluşumları ve hareketleriyle insanoğlunun ilgisini çekmiştir. İnsanlar; farklı zaman dilimlerinde karşılaştıkları gökyüzündeki cisimlerin hareketlerini, efsanevi ve mitolojik bilgilerin yanı sıra bilim vasıtasıyla da anlamlandırmaya çalışmıştır. İnsanların tabiatı gözlemleyerek edindikleri bilgilerin toplamında ise efsane ile gerçeğin iç içe geçmiş olduğu bazen de olağandışılığın harmanlandığı bir bilgi yığını ile karşılaşılır. Medeniyetlerin bilgi alışverişinde bulunmaları ve gökyüzüne dair yeni bilgiler elde etmeleri neticesinde ise hem Batı hem de Doğu medeniyetlerinde ortak inanışlara rastlanır. Her iki medeniyetin de çeşitli anlamlar yüklediği, hareketlerinden yola çıkarak çeşitli yorumlamalar yaptığı gezegenlerden birisi de Mars'tır. Güneş sistemi içinde bulunan bu gezegen, tarih boyunca gökyüzü hakkında araştırmalar yapan kavimlerin ortak katkılarıyla çok yönlü ve çok anlamlı bir hâle bürünmüştür. Özellikle Batı medeniyetinde savaş tanrısı olarak algılanan ve savaşçı özellikleriyle ön plana çıkan Mars, divan edebiyatı şairleri tarafından da benzer vasıflarla şiirlere konu olmuştur. Güçlü, cesaretli, yenilmez ve kan dökücü gibi sıfatlarla nitelendirilen Mars, klasik Türk edebiyatında çoğunlukla sevgiliyle eş değer olarak görülmüştür. Çalışmamızdaki asıl amaç çok yönlü ve çok kültürlü bir yapıya sahip olan ve klasik Türk edebiyatında daha çok Mirrîh olarak adlandırılan Mars gezegeni hakkında şairlerin nasıl bir hayal tasavvuru oluşturduklarını ve ona ne gibi anlamlar yüklediklerini ortaya çıkarmaktır.

Anahtar Kelimeler: Klasik Türk edebiyatı, Astroloji, Yıldız, Mirrîh, Mars.

THE IMAGINATION OF A WARRIOR IN THE SKY: MİRRÎH IN DIVAN LITERATURE

ABSTRACT

Planets and stars have attracted the attention of human beings with their formation and movements since ancient times. People have tried to make sense of the movements of the objects in the sky they encountered in different periods of time, through science as well as legendary and mythological information. In the sum of the information that people acquire by observing nature, a mass of information is encountered where legend and reality are intertwined and sometimes the extraordinary is blended. As a result of civilizations exchanging information and obtaining new information about the sky, intertwined beliefs can be found in both Western and Eastern civilizations. Mars is one of the planets to which both civilizations attributed various meanings and made various interpretations based on their movements. This planet, which stands out with its proximity to the sun, has become versatile and meaningful with the joint contributions of tribes who have conducted research on the sky throughout history. Mars, which is perceived as the god of war especially in Western civilization and stands out with its warrior characteristics, has been the subject of poems with similar qualities by divan literature poets. Mars, described with adjectives such as strong, courageous, invincible and bloodthirsty, has often been seen as equivalent to a lover in classical Turkish literature. The main purpose of our study will be to reveal what kind of imagination the poets created about the planet Mars, which has a versatile and multicultural structure and is more commonly called Mirrîh in classical Turkish literature, and what meanings they attributed to it.

Keywords: Classical Turkish literature, Astrology, Star, Mirrîh, Mars.

1. GİRİŞ

Tarih öncesi dönemlerde başlayan Astronomi bilimi, insanoğlu tarafından tabiatı anlamlandırma çabası olarak zaman içerisinde çok çeşitli medeniyetlerin katkı yaptığı bir alan olarak karşımıza çıkar. Günlük hayatta sürekli olarak tabiatın içindeki olaylara maruz kalan insanlar, ilk zamanlarda karşılaştıkları doğa olaylarından korkmuşlar ve açıklayamadıkları bu korkuyu anlamlandırmak için doğadaki ve özellikle gökyüzündeki unsurlara tapınmaya başlamışlardır. Sonraki devirlerde Mezopotamya bölgesinde ortaya çıkan Sümerler ve Babiller ise kullandıkları yöntemlerle astronomi alanında önemli kazanımlar elde etmiş, güneş ve ay başta olmak üzere Satürn, Jüpiter, Mars, Venüs ve Merkür gezegenlerinin hareketlerini inceleyebilecek noktaya ulaşmışlardır. Eski Yunanlılar ise geliştirilen Astronomi bilimine oluşturdukları ekoller ile yeni katkılar yapmışlardır. Evreni bir küre olarak algılayan ve dünyayı

da onun merkezinde olduğunu kabul eden Pitagor, evreni cisimlerin hareketleri ile tanımlamaya çalışan Aristo ve düşünceleri ile Doğu medeniyetlerini oldukça etkileyen Batlamyus bu bağlamda önemli bir yere sahiptir. İslam medeniyetinde ise XIX. ve X. yüzyıllarda Bağdat'ta bilim adamlarının astronomiyle ilgilendikleri bilinmektedir. XV. yüzyılda kendi adıyla bir gözlemevi kuran Uluğ Bey'in çalışmaları da kendisinden sonra gelenleri aydınlatmıştır. Avrupa'da ise Kopernik, Galile ve Kepler gibi isimler astronomi üzerinde yeni tezler geliştirerek güneş ve gezegenler hakkında yeni iddialar ortaya atmışlardır (Kırkıbyık, 2001, s.11-25).

Yunan mitolojisinde Ares olarak adlandırılan Merrîh yıldızı, Zeus ile Hera'nın oğlu olarak karşımıza çıkar. Oldukça hareketli bir çocukluk dönemi geçiren Ares, gücün ve savaşın temsilcisi konumundadır. Etrafındakilere ölüm saçan, insanları kesip parçalamaktan zevk duyan, kana susamış birisi olarak tasvir edilen Ares, uzun mızrağıyla en kalın kalkanları bile delebilen bir güce sahiptir. Savaş meydanında düşmanın hatlarını bozup dağıtan bu savaş tanrısı, korkunç sesler çıkararak karşısındaki düşmanlarını korkuturdu. Oldukça güçlü olan Ares, kuşatma sırasında şehirleri koruyan duvarları ve surları kolaylıkla yıkabilmeye de mahirdi (Can, 1994, s.86).

İtalyanların savaş tanrısı Mars'la özdeşleştirdikleri Ares, Troia savaşında Troialıların yanında savaşa katılmıştır. Bir insan boyunda olan Ares, genellikle yayan olarak savaşır ve savaş esnasında korkunç naralar atar. Trakya'da yaşadığına inanılan Ares, klasik Yunan mitolojisinde, savaş mitoslarında ve kavga dövüş hikayelerinde karşımıza çıkar. Kaba gücün ve zalimliğin temsilcisi konumunda olan Ares, bahsi geçen anlatılarda her zaman galip gelmez. Yunanlılar, Ares'in kaba gücünün Herakles'in zekâsı ve Athena'nın sağduyusu karşısında mağlup olmasından hoşlanmışlar ve eserlerinde bu durumu dile getirmişlerdir. Pek çok çocuk sahibi olan Ares'in çocukları da ona benzer özellikler gösterir. Çocuklar acımasız eylemlerde bulunarak insanları öldüren, şiddet yanlısı ve konuk sevmez kişilerdir (Grimal, 2012, s.76-78).

Yunan mitolojisinde savaşçı özellikleriyle ön plana çıkan Ares'in benzer ve farklı vasıflarla karşımıza çıktığı bir başka alan ise Roma mitolojisidir. Yunan kültüründen her alanda etkilenen Romalılar, özellikle Yunanlıların din alanındaki görüşlerinden etkilenmişler ve bu konuda Yunan mitolojisinde yer alan çoğu tanrıyı da benimsemişlerdir. Yunan savaş tanrısı Ares ile bir tutulan Mars, Roma anlayışında Iuppiter'den sonra en önemli tanrıdır. Yunan kültüründe yüceltilen ve sevilen bir tanrı olmayan Ares, yok edici bir gücü temsil ederken Roma kültüründe Mars kurucu bir güç olarak karşımıza çıkar. Romalıların babası olarak nitelendirilir. Eski bir

İtalyan geleneği olan kutsal baharla da ilişkilendirilen Mars, Roma kültüründe tarımla bağlantılı bir tanrı olarak da karşımıza çıkar. Mars'ın Yunan kültüründeki savaşçı özelliği Roma kültüründe farklıdır. Roma kültüründeki Mars, savaşa giden çiftçilerin koruyucusudur (Turak, 2018, s.482-489).

Mars'ın Roma kültürünün temellerinde yer alan bir tanrı olduğu söylenebilir. Zira Roma şehrinin kurucuları olan Romulus ve Remus'un babaları Mars'tır. Roma efsanelerine göre doğduktan sonra bir dağa bırakılan bu iki kardeş, babalarının gönderdiği ve kutsal olduğuna inanılan bir dişi kurt tarafından beslenmiştir. Sonrasında bir çoban tarafından bulunan kardeşler, ileride Roma şehrini kurmuştur. Roma efsanelerinde yine bu olayla bağlantılı olarak Romulus'un çocuklarına ataları olan Mars'la bağlantılı olarak 'Mars'ın çocukları' ifadesinin de kullanıldığı görülür. Romalıların dışında Mersi halkı, Merrucini halkı ve Mamertiumlar'da atalarının Mars olduğunu ileri sürerek kendileriyle Mars arasında bir kutsiyet oluşturmaya çalışmışlardır (Grimal, 2012, s.461).

Türk kültüründeki yıldızlara bakıldığında ise eskiden beri yıldız bilgisinin Türkler arasında önemli bir yere sahip olduğu görülür. Türkler, yıldızların konumlarından özellikle yön bulma ve hava tahminleri yürütme noktasında faydalanmışlardır. Türk mitolojisinde ise Merih yıldızı, renginden dolayı korkunç ve ateşli olarak nitelendirilmiştir. Türkler bu yıldızla 'Bakır sokum' derken Anadolu'da Mars gezegeni için 'Yaldırık' adı da kullanılır. Kutadgu Bilig'de Mars yıldızı 'Kürüd' olarak adlandırılmıştır (Ögel, 2014, s.261-262). Mars'ın ateş ile olan bağlantısından yola çıkan Türkler; ateş unsurunun gökyüzündeki cisimlerini Kızıl-sagızgan (Kızıl saksagan) adlı yıldız takımıyla, Merih yıldızını ise Ooı yultuz adıyla isimlendirmişlerdir (Esin, 2001 s.25).

Erzurumlu İbrahim Hakkı *Marifetnâme*'sinde Mirrîh yıldızının tabiatının aşırı sıcak ve kuru olduğunu belirtir. Küçük uğursuz olarak nitelendirilen Mirrîh'in vasıfları arasında şenlik, şecaat, hiddet, kuvvet, hıyanet, öfke, edepsizlik, inat ve baş olma bulunmaktadır. Bu açıdan Mirrîh'e bakıldığında gücün ve iktidarın, iyi ve kötü vasıflarla bu yıldızın bünyesinde toplandığı görülür (Yılmaz ve Kılıç, 2012, s. 149). Ömer Ferit Kam ise *Âsâr-ı Edebiye Tedkîkâtı* adlı eserinde Mirrîh yıldızının yine savaşçı özellikleri ile öne çıktığını belirtir. Feleğin beşinci katında bulunan Mirrîh, harbe vekildir ve uğuru en az olan yıldızdır. Tabiatında sıcaklığı ve kuruluşu barındıran bu yıldız aynı zamanda kırmızı renge de mensuptur. Klasik Türk edebiyatında geçen Behrâm, Behrâm-ı felek, tîğ-zen-i âsumân gibi ifadeler Mirrîh'i ifade etmek

için kullanılır. Savaş tanrısı olarak betimlenen bu yıldız Sâbiiler Mameres, Yunanlılar Ares ve Romalılar ise Mars adını vermişlerdir (Kam, 2008, s.200.)

Elinde kılıç veya kılıca benzer bir silah ile minyatürlerde resmedildiğinden dolayı divan şairleri, eline silah almış kişileri Mirrîh'e benzetmiş ve onları bu gezegenle vasıflandırmışlardır. Divan şiirinde kan dökücü özelliği ile hatıra getirilen gözle ilgili çeşitli hayaller kurarken Mirrîh-çeşm ifadesini kullanan şairler; kin, intikam ve hırs duygularını ifade etmek için de Mirrîh'ten şiirlerinde sık sık bahsetmiştir (Şentürk, 1994, s. 162). Divan şairleri Mirrîh hakkında bahsi geçen bu özelliklerin büyük çoğunluğunu sevgiliyi tasvir etmek ve onun özelliklerini açıklamak için kullanmıştır. Divan şiirinde kan dökücü gözü, kılıca benzeyen gamzesi ve âşıklar arasında kavga çıkarması sebebiyle sevgili; Mirrîh ile büyük benzerlikler göstermektedir. Bu çalışmada divan şairlerinin nasıl bir Mirrîh tasviri oluşturdukları tespit edilerek, şairlerin sevgili ile Mirrîh arasında nasıl bir bağ kurduklarının değerlendirilmesi yapılacaktır.

1.SAVAŞÇI OLARAK MİRRÎH

Batı mitolojisinde üzerinde zırhıyla, başındaki miğferle birlikte kalkan, mızrak ve kılıçla kuşanmış tam teçhizatlı bir asker olarak betimlenen Ares (Grimal, 2012, s.76), divan şairleri tarafından da benzer özelliklerle zikredilir. Savaş meydanında yer alan bir asker olarak betimlenen Ares; Mirrîh adıyla çeşitli silahları kuşanmış, gücün ve kan dökücülüğün bir simgesi olarak klasik Türk edebiyatındaki yerini alır.

1.1.HANÇER KULLANIR

Sözlükte “1. Ucu eğri ve sivri, kamaya benzer kısa bıçak. 2. Işık demeti. 3. Mecaz. Sevgilinin kaş ve kirpiği” (Çağbayır, 2017, s. 604) anlamlarına gelen hançer, divan edebiyatında Mirrîh ile adı en fazla anılan silahlardan birisidir. Öyle ki aşağıdaki şiirde Şefî'î (ö.?), sevgilinin gözlerini can alma noktasında Mirrîh'in hançeri ile denk görmüştür. Sevgilinin bakışlarının hançere benzetilmesinin sebebi ise bakışların keskinliğinden kinayedir. Son derece keskin gözlere sahip olan sevgili, acımasız bir şekilde âşığının başını keserek hançere benzeyen kirpiklerini kana bulamıştır. Şair tarafından resmedilen Mirrîh portresi, batı ve doğu medeniyetlerinde yer alan Mirrîh'in kan dökücülüğü, zalimliği ve silah taşınması gibi özellikleriyle birebir örtüşmektedir:

“Kesüp mirrîhveş başum Şefî'î çeşmi dildârun

Döküp kanum müje hançerlerini kana kandurmuş” (Gıynaş, 2017, s.1263).

Zâtî (ö.1547), ise Mirrîh'in sahip olduğu hançerin nasıl yapıldığından bahsetmektedir. Şaire göre insanları öldürmede son derece çabuk ve süratli olan bu hançer, öfke âteşinde (nâr-ı hışm) can alıcı katillerin zehriyle (zehr-i kattâl) oluşturulmuştur. Şaire göre can alma noktasında bu hançerin etkin olmasının sebebi onun yapılışındaki bu yöntemdir. Öfke, can alma ve kan dökme Mirrîh'in hançerinin tabiatına işlemiştir:

“Ele bir hançer-i tîz almış idi kim Mirrîh

Nâr-ı hışm-ile düzilmiş suyu zehr-i kattâl” (Kurtoğlu, 2017a, s.224).

Keskin aletler ve silahlar her ne kadar demirden ve çelikten üretilse de mevki ve konum sahibi kişilerin daha farklı madenlerden üretilmiş özellikle altın, gümüş ve elmastan imal edilmiş özel silahlara sahip olduğu bilinmektedir. Kan dökmede ve can almada oldukça mahir olan Mirrîh'in de hançeri şair tarafından (hançer-i elmâs) olarak nitelendirilmiştir. Değerli ve kıymetli bir taş olan elmasın işlendiği vakit son derece keskin olma durumu da akla getirildiğinde Mirrîh'in taşıdığı hançerin hem son derece kıymetli hem de keskin olduğu ortaya çıkar:

“İy Süheylî sunma el sîb-i zenahdânın görüp

Sakin ol mîrrîh-çeşmün hançer-i elmâsı var” (Harmancı, 2007, s.286).

Divan şairleri, kozmolojiyle ilgili hayaller oluştururken gezegenlerin ve yıldızların doğadaki hareketlerinden oldukça yararlanmışlardır. Bahsi geçen unsurların hareketlerini divan şiirinin estetiğinde yeniden yorumlayan şairler, aşka ve sevgiliye dair betimlemeleri doğa üzerinden okuyucularına sunmuştur. Şafak vakti güneşin doğarken kırmızı renkli oluşunu yeniden yorumlayan şair, güneşin kırmızı renkli oluşunu Mirrîh'in hançerinin dökmüş olduğu kanlara bağlamaktadır. Mirrîh, hançeri ile o kadar kan dökmüştür ki güneş bu kanlardan dolayı kırmızı renge bürünmüştür:

“Gösteren burç-ı şafakda ‘aksini her subh-dem

Hancer-i Mirrîh dökdüğü ‘adûnun kanıdır” (Ersoy, 2017, s.70).

Yıldızların ve meteorların kaydıkları zaman gökyüzünde çıkarmış oldukları ateşe değinen Bâkî (ö.1600)'ye göre gökyüzünde görünen ateşin (kıvılcımın) sebebi Mirrîh'in hançeridir. Şaire göre ay, parlaklığı ve etkileyiciliği dolayısıyla sevgilinin yüzüne heveslenmiş, bu duruma sinirlenen Mirrîh ise kabzasından hançerini çekmiştir. Hışımla sert bir şekilde kabzasından

çekilen hançer ise tam bu esnada kıvılcım çıkartmıştır. İşte gökyüzünde görünen kıvılcımın asıl sebebi budur:

“Bâkıyâ gökde şihâb atılmadı Mirrîh-i çarh

Rûy-ı yâre öykünür diyü mehe hançer çeker” (Küçük, 2011, s.213).

Gücün ve kan dökücülüğün divan edebiyatındaki simgesi durumunda olan Mirrîh, sahip olduğu vasıflarla ve elindeki hançerle aynı zamanda belirli bir düzeni de sağlayan kişidir. Azmîzâde Hâletî (ö.1631)’ye göre gökyüzündeki gezegenlerin ve yıldızların belirli bir düzen içinde dönmelerini sağlayan Mirrîh’dir. Şaire göre gök cisimleri, elinde hançerle onları izleyen Mirrîh’in korkusundan dolayı dönüşlerini belirli bir düzen içinde gerçekleştirmektedir. Aksi durumda Mirrîh, onları cezalandıracaktır. Beytin perde arkasında ise aslında Mirrîh, divan şiirindeki sevgilinin bir hizmetkârı olarak nitelendirilmiştir. Sevgilinin isteğini (muradını) gerçekleştirmek için Mirrîh, elinde hançerle feleğin en üstünde (çerh-i mu‘allâ)’da beklemektedir:

“Murâdun üzre dönmekde şitâb itsün diyü dâ’im

Turur hançerle Mirrîh üstine çerh-i mu‘allânun” (Kaya, 2017, s.143).

Benzer bir şiirde ise yine Mirrîh, sevgilinin bir hizmetkârı olarak düşünülmüştür. Gözünü kırpmadan kurbanlarını kasap gibi öldüren Mirrîh, hançerini çekmiş bir şekilde sevgilisi için (berre-i çarhı) kurban etme hazırlığı içindedir. Şair aslında bir bakıma Mirrîh’in bu derece kan dökücü olduğunu sevgiliye bağlamaktadır. Divan şiirinde son derece etkili bir konumda bulunan sevgili için Mirrîh sürekli olarak âşıkları kurban etmekte sonuçta ise (kassâb) kasap olarak adlandırılmaktadır:

“Geldi Mirrih üstine hançer çeküp kassâbvâr

Berre-i çarhı diler kim ide kurbânun senün” (Erünsal, 2018, s.542).

1.2.KILIÇ TAŞIR

Bir savaşçı olarak klasik Türk edebiyatı metinlerinde tasvir edilen Mirrîh’in kullandığı silahlardan birisi de kılıçtır. XVI. yüzyılın hem önemli bir şairi hem de gerçek bir askeri olan Taşlıcalı Yahya Bey (ö.1582), aşağıdaki şiirinde savaş meydanında mücadele eden askerlerin her birini gökyüzündeki Mirrîh gezegenine benzetmiştir. Bu askerlerin kollarında kalkan, ellerinde ise parlak kılıçlar bulunmaktadır.

“Mücâhidler felekde kevkeb-i Mirrîhün emsâli

Elinde tîğ-ı rahşânı kolında çarhî kalkanı” (Çavuşoğlu, 1977, s.72).

Mirrîh’in özelliklerinden ve vasıflarından söz eden divan şairleri, bazen bu gezegenle birlikte diğer gezegenleri de çeşitli özellikleriyle şiirlerine dahil eder. Bu gezegenlerden birisi de Yunanlıların Afrodit, Romalıların Venüs, İranlıların ise Nâhid olarak adlandırdıkları Zühre’dir. Sıklıkla eğlence meclislerindeki çeşitli simgelerle tasvir edilen Zühre, müzisyenleri ve hanendeleri tesiri altına almıştır (Şentürk, 1994, s.155-157). Dünyanın içinde farklı duyguları barındıran bir mekân olduğunu dile getirmek isteyen Me’âli (ö.1535/36?), bu düşüncesini Mirrîh ve Zühre gezegenlerinin özellikleriyle ortaya koymuştur. Şaire göre Mirrîh’in kanlar saçan kılıcı dünyanın azabını, Zühre’nin elindeki sazı ise dünyanın zevkini simgelemektedir:

“Ey Me’âlî dünyanın zevk ü ‘azâbın gösterür

Tîğ-i hûn-efşân tutup mirrîh elde zühre sâz” (Gıynaş, 2017, s.1066).

Mirrîh’in elinde kılıçla anlatıldığı bir başka beyitte ise kılıcının parlaklığından söz edilmiştir. Keskinliği dolayısıyla (mir’ât-ı tîğ) olarak nitelendirilen bu kılıç, Mirrîh’e kin ile bakan gözlerin kendilerini görecekları son ayna olarak nitelendirilmiştir. Sahip olduğu kılıcıyla kan dökücülüğü ve acımasızlığı ön plana çıkarılan Mirrîh’in karşısında ise feleğin en büyüğü ve en yüksek mertebesinde bulunan ve büyük uğursuz olarak adlandırılan Zuhâl (Yılmaz ve Kılıç, 2012, s.135) bulunmaktadır:

“Görinür mir’ât-ı tîğundan ana şekl-i ecel

Ey Zuhâl-kîn eylesen eflâkde Mirrîh’e kîn” (Kurtoğlu, 2017a, s.139).

Eskiden muğ-beçelerin “1. Ateşperest çocuğu, Zerdüşti çocuğu. 2. Meyhaneci çırağı” (Kantar, 2009, s.2256) meyhanelerde yaptıkları kılıç dansının etkisinden bahseden şaire göre Mirrîh, elinde kılıçla dans eden muğbeçeyi gördüğünde korkuya kapılmaktadır. Mirrîh’in bu korkusu ise kılıç kuşanmış bir muğbeçeye karşı galip gelememektir. Şiirde muğbeçe olarak anılan ise aslında sevgilinin kendisidir. Şair, bir bakıma sevgili karşısında Mirrîh’in bile çaresiz olduğunu ve korkuya kapıldığını dile getirmektedir:

“Raks idüp tîğ ile ol muğ-beçe-i ‘işve-nümâ

Togrısı gökdeki Mirrîh’a hirâsân geliyor” (Arslan, 2018, s.41).

2.MİRRÎH'İN SIFATLARI

Mirrîh'in kelime olarak anlamlarından birisi de küçük uğursuz anlamına gelen (nahs-ı asgar)'dır (Şentürk, 1994, 162). Mirrîh'in tanımında bile uğursuzluğun olması aslında onun bir anlamda edebî metinlerde şairlerce kötü sıfatlarla anılacağına göstergesi durumundadır. Öyle ki aşağıdaki beyitte sevgilisine talip olan âşığın karşısında bu isteğini engellemek için Mirrîh bulunmaktadır. Şiirdeki Mirrîh'in sıfatları ise düşman ('adu) ve küçük uğursuz (nahs-ı suğra)'dur:

“Metâ'-ı şems-i hüsn-i yâre olduk Müşterî ammâ

'Adû Mirrîh-sıfat mâ-beynimizde nahs-ı suğradır” (Demir, 2017, s.245).

Beyitlerde sürekli savaşçı tasviriyle karşımıza çıkan Mirrîh'in en önemli özelliklerinden birisi de kavgacı bir yapıya sahip olmasıdır. Söz konusu savaş olduğunda Mirrîh; her ortamda bu özelliğini göstermek ve kavga çıkarmak için fitneye (karışıklığa) başvurmaktadır. Aşağıdaki beyitte ise şair fitne çıkarma konusunda sevgilisinin Mirrîh ve Müşterî'den daha mahir olduğunu dile getirerek bir anlamda Mirrîh'in fitne çıkarma konusundaki yeteneğine de değinmiştir:

“Ol necm-i fitne şu'le-i evc-i cemâl-i yâr

Mirrîh ü Müşterîde aranmış bulunmamış” (Taş, 2017, s.167).

2.1.KAN DÖKÜCÜ

Şiirinde sevgilinin güzellik unsurları olan göz, kaş ve gamzeden bahseden Bursalı Rahmî (ö.1567/68), onun kan dökücü özelliğini Mirrîh üzerinden anlatmıştır. Şaire göre sevgilinin Mirrîh'e benzeyen gözleri kan dökmeye niyet ettiğinde onun yardımına diğer güzellik unsurları yetişir. Bu durumda ise sevgilinin gamzesi kılıç, kaşları ise ok olmakta ve âşığın kanını dökmek için bütün bu unsurlar harekete geçmektedir:

“Gözün mirrîh-veş kan dökmege eylerse ger âgâz

Sunar tîgin ana gamzen virür tîr ü kemân ebrû” (Erdoğan, 2017, s.252).

Azmî-zâde Hâletî (ö.1631), ise yine sevgiliden dem vurarak onun melek yüzlü (melek-sûret) fakat Mirrîh ahlaklı (Mirrîh-sîret) olduğunu dile getirmektedir. Şair, âşığa seslenmekte ve ona dış görünüşüyle mizacı uyuşmayan bu sevgiliden uzak durmasını öğütlemektedir. Aksi halde Mirrîh'in özelliklerini taşıyan bu sevgili, âşığın kanını dökecektir:

“Melek-sûretdür ol dil-ber velî Mirrîh-sîretdür

Sakın ey ‘âşık-ı şeydâ alur cânun döker kanun” (Kaya, 2017, s.387).

Başka bir şiirdeyse yine Azmî-zâde Hâletî (ö.1631), göklerde intikam alıcı Mirrîh’in tesiri olmasa düşmanların kanının yere dökülmeyeceğinden bahsetmektedir. Şaire göre savaşta başarılı olmanın ve kan dökmenin yolu Mirrîh’in tesirinden kaynaklanmaktadır:

“Hasmun yire dökülmez idi kanı olmasa

Te’sîr-i kevkeb-i şeh-i Mirrîh-i intikâm” (Kaya, 2017, s.89).

Divan şiirinde şairlerin başlarına gelen kötü olayların sorumlusu olarak feleği görmeleri ve ondan yakınmaları çok sık karşılaşılan bir durumdur. Feleğin dönüşünün kendi baht ve talihlerini etkilediğini düşünen insanlar, kötü ve olumsuz bir durumla karşılaştıklarında sorumlu olarak feleği görmüşler ve bu durumdan dert yanmışlardır. Aşağıdaki beyitte de karşılaştığı olumsuz durum neticesinde gözyaşı dökken âşık resmedilmektedir. Âşığın böyle bir durumda bulunmasının sebebi ise feleğin ona zulüm etmesi ve Mirrîh’in onun kanını dökmesidir:

“Nice yaş dökeyim bu derd ile ben

Çarh zulm itdi dökdi kan Mirrîh” (Yakar, 2018, s.30).

Mirrîh’in kan dökücü özelliğinin anıldığı bir başka beyitte ise Bâkî (ö.1600), Mirrîh’in durmadan kan dökmesini, işret meclisi üzerinden anlatmaya çalışmıştır. Şiirinde kelimelerin tevriyeli anlamlarından yararlanan şair, meyhanelerde durmadan kadehlere şarap dökülmesi hadisesini, Mirrîh’in kan dökücülüğü üzerinden ifade etmiştir:

“Felek-i ‘işrete bir ahter-i ferhunde iken

Yine Mirrîh-sıfat turma döker kanı kadeh” (Küçük, 2011, s.120).

2.2.CAN ALICI (CELLÂD)

Sözlükte “1.Kırbaççı. 2.Çok kırbaç vuran. 3.Mahkemece verilen ölüm cezasını uygulayan görevli. 4. mecaz. Hiç çekinmeden suç işleyen kimse. 5. mecaz. Çok merhametsiz 6.Sevgilinin gamzesi” (Çağbayır, 2017, s.262) anlamlarına gelen cellâd ifadesi söz konusu Mirrîh olduğunda divan şiirinde daha çok ölüm cezasını uygulayan kişi, merhametsiz ve sevgilinin gamzesi anlamlarında kullanılır. Feleğin başkomutanı olarak görülen Mirrîh (Pala, 1994, s.323) şairler tarafından sıklıkla felek adına can alan biri olarak tasvir edilmiştir. Âşığın dert ve elem içinde

olmasını sağlayan, onun başına gelen türlü felaketlerin müsebbibi konumunda bulunan felek, âşığa daha fazla sıkıntı çektirmek istediğinde Mirrîh'i gönderir. Şiirinde Zühre'nin gaddar, Mirrîh'in cellâd olduğunu belirten Osman Nevres (ö.1876), gökyüzündeki gezegenlerin her birinin aslında âşığı avlamak için (ona türlü cefalar etmek için) gezindiğinden bahsetmektedir:

“Bilmedim nesr-i sipihrin böyle sayyâd olduğun

Zühre'nin gaddâre Mirrîh'in de cellâd olduğun” (Kaya, 2020 s.330).

Eskiden kılıç yapımında demirler kor ateş içinde dövülür sonrasında ise kızgın bir hale gelen bu demirler, çelik niteliği kazanması için suya batırılırdı. İyi bir kılıç yapmada ustanın mahareti kadar ateşin kızgınlığı ve çelikleme işlemi de önemli bir yer tutmaktadır. Şiirinde kılıç yapımında kullanılan bu uygulamayla Mirrîh'in cellâdlığından dem vuran Zâtî (ö. 1547), Mirrîh'in kılıcının kahır ateşinde dövüldüğünden söz etmektedir:

“Dirlik âbından revân cellâd-ı Mirrîh el yuya

Âteş-i kahrunda ger üstâd düzse bir husâm” (Kurtoğlu, 2017a, s.71).

Fevzî (ö.1678), ise aşağıdaki şiirinde cellâd olarak Mirrîh'in gamzesinden (gamze-i Mirrîh) söz etmektedir. Şaire göre bu zamana kadar can alan Mirrîh'in devri artık kapanmış, felekte kanlar dökerek can alma sırası artık Mehmet Şâh'a geçmiştir:

“Harâm olsun sana cellâdlık ey gamze-i Mirrîh

Felekde kanlar dökmek Mehemmed Şâha kalmışdur” (Kaplan, 2019, s. 114).

Hız. Süleyman'ın hikmet ve tedbiriyle bilinen veziri Âsaf b. Berahyâ'nın isminden kinaye olan Âsaf ismi, Osmanlı Devleti'nde vezir ve veziriâzamlar için kullanılan bir tabirdir (İpşirli, 1991, s.455). Divan edebiyatında ise iyi bir yönetici konumunda bulunan vezirleri ifade etmek için telmih ve tenasüp vasıtasıyla şairler tarafından kullanılır (Pala, 1994, s.33). Diyarbakırlı Lebîb (ö.1768)'e göre yetenekleri ile ön plana çıkan ve etkili bir yönetim anlayışına sahip olan Âsaf, söz konusu kılıçla savaşmak olduğunda Mirrîh ile baş edemeyecek durumdadır. Şair, inatçı ve cellâd olarak nitelendirilen Mirrîh'in kılıçla mücadele etmede ne kadar yetenekli olduğunu bir anlamda ortaya koyar. Âsaf ise söz konusu bu mücadelede cellâdı olan Mirrîh'e çirak (şakird) bile olamaz:

“Niçe âsaf ki murâd eylese şâkird olamaz

Darbet-i tîğda cellâdına Mirrîh-i 'anîd” (Kurtoğlu, 2017b, s.68).

3. SEVGİLİ OLARAK MİRRÎH

Klasik Türk edebiyatında sahip olduğu özelliklerle şiirin merkezinde bulunan sevgili, âşığa karşı her zaman için acımasız ve merhametsizdir. Âşık, sevgiliye ne kadar zarif davranıp onu incitmemek için elinden geleni yapsa da sevgili tam tersi âşığı incitip onu yaralamak için elinden geleni yapar. Sahip olduğu güzellik unsurlarıyla âşığa kılıç çeken, ok ve mızrak atan bir savaşçı edasında olan sevgili, bu yönleriyle savaşın ve gücün timsali olan Mirrîh'e benzetilmek için hayli uygundur. Sevgilinin özellikle kanlar saçan gözü ve kılıç gibi keskin olan gamzesi, Mirrîh'e benzetilerek bu unsurlar vasıtasıyla âşığa yapılan eziyetler divan şairlerince farklı hayallerle dile getirilmiştir.

Sevgilinin güzellik unsurlarını, gökyüzündeki yıldızlar vasıtasıyla ifade etmek niyetinde olan şair; sevgilinin gözünü kan dökücü olması sebebiyle Mirrîh'e, kaşını ise şekil itibarıyla kılıca benzeyen ayın yeni haline benzetmiştir. Tasvir edilen bu sevgili ise şekil itibarıyla ortaya tam anlamıyla Mirrîh portresi koymaktadır. Kan dökmeye hazır halde bekleyen bu sevgilinin parlak yanağı, alnı ise güneşe ve aya benzetilmiştir. Şair güzelliği ile güneşe, aya benzeyen ve bu haliyle âşığı cezbeden sevgilisinin aslında arka planda elinde kılıcıyla bekleyen, kan dökücü bir zalim olduğunu anlatmaktadır:

“Gözünü merrihe vü kaşun hilâle benzeden

Rûşen ol hadd ü cebînün benzedür mihr ü mehe” (Üst, 2018, s.3026).

Mirrîh'in elinde tuttuğu hançerin sevgilinin hilal kaşlarına benzetildiği bir başka şiirde ise şair, sevgilinin güzellik unsurlarından faydalanarak Mirrîh'in kan dökücü özelliğini vurgulamıştır. Kan dökücülüğü ile dikkat çeken ve sahip olduğu hançerle tasvir edilen bu sevgili, Mirrîh'in bizzat kendisidir:

“Kasd itse girse kanına bir 'âşıkın o meh

Mirrih-i ebruvânına hançer hilâl imiş” (Batğı, 2017, s.105).

Sevgilinin yan bakışı olan (gamze), divan şairleri tarafından sıklıkla keskin bir kılıca benzetilir. Bakışlarındaki keskinlikle âşığı yaralama hatta onu öldürme konusunda oldukça mahir olan gamze, sevgilinin sahip olduğu önemli unsurlardan birisidir. Kana meyletmiş bir şekilde (mâ'il-i hûn) Mirrîh'e benzetilen bu gamze, her ne kadar ilk başta korkunç bir intiba uyandırsa da âşık için bu durumun hiçbir önemi yoktur. Çünkü sevgili her ne kadar elinde kılıçla tasvir edilse de sevgilinin bir başka güzellik unsuru olan leb (dudak), âşığın bütün gamını gidermektedir. Zira

Hız. İsa'nın can verme özelliğine sahip olan bu dudak, sevgilinin kılıcıyla can veren âşığı tekrar diriltecektir:

“Mirrîh-sıfat mâ'il-i hûn ise de gamzen

Gam yok ki bu leble güzelüm 'İsî-şiyemsin” (Kaplan, 2019, s.157).

Yukarıdaki şiirde Hız. İsa'nın can bağışlama özelliği ile anılan leble, aşağıdaki şiirde ise âşığa sevinçli ve neşeli sözler söyleyen Venüs yıldızının (Nâhid) dudağı olarak karşımıza çıkmaktadır. Sevgilinin dudağını; eğlence ortamlarında tasvir edilen ve neşeyle birlikte anılan Venüs'e benzeten şair, sevgilinin gözlerini ise âşığı öldürmeye niyetli olan Mirrîh'in gözlerine benzetmektedir. Şair, bu zıtlıklarla aslında sevgilinin bünyesinde bulunan farklılıkları ortaya koymaktadır. Ona göre âşığın mutlu olması da can vermesi de sevgilinin elindedir:

“Leblerün nâhide benzer sûreti ehl-i neşât

Gözlerün mirrîha benzer hey'eti ehl-i silâh” (Mermer, 2020, s.325).

Sevgilinin gamzesi; yeri geldiğinde âşığı yaralama ve öldürme gibi eylemleri de üstlenir. Şairlerce daha çok ok ve kılıca benzetilen gamze, ok olarak düşünüldüğünde âşığın canını, gönlünü, sinesini, ciğerini ve yüreğini hedef olarak seçer. Gamzenin ok olarak düşünülmesine sebep olan ise sevgilinin güzellik unsuru olan kirpik oklarıdır (Pala, 1994, s. 162). Aşağıdaki şiirde âşığı yaralama ve onun kanını akıtma noktasında sevgilinin gamzesinden bahseden şaire göre; sevgilinin gamzeleri dildûz “gönlü delen, yüreğe saplanan” (Kanar, 2009, s. 728) olması yönüyle Mirrîh'in kılıcından daha üstündür:

“Nükteler dil-dûzluk da'vâsın etse gamzeden

Gamzen eyler tîğ-i mirrîh-i kazâ-âyîne bahs” (Kurtoglu, 2017b, s.291).

Divan şairi için sevgilinin yolunda çile çekmek ve bu uğurda can vermek âşığın değerini ve onun ne derece büyük bir âşık olduğunu göstermesi bakımından önemlidir. Sevgilinin türlü azapları karşısında sesini çıkarmayan; sevgilisi için canını bile isteyerek veren âşık için kıymetli olan unsur, sevgiliye olan aşkı ispatlamaktır. Sevgiliye benzetilen Mirrîh karşısında canını veren (küşte olan) âşık için de böyle bir durum söz konusudur. Şiirde âşığın canını alan unsur ise can alma konusunda Mirrîh'in kılıcının şöhretine sahip olan sevgilinin gamzeleridir:

“Küşte olalı Safvetî Mirrîh-i sipihre

Gâlib görünür oldı şehâ şöhret-i gamzen” (Güzel, 2018, s.70).

Eski dönemlerde müneccimler, gökyüzündeki gezegenlerin ve yıldızların hareketlerine bakarak gelecekle ilgili çeşitli tahminlerde bulunurlardı. Bunun altında yatan inanç ise gökyüzündeki cisimlerin hareketlerinin insanların baht ve talihlerini etkilemesidir. Bu inanış çerçevesinde gökyüzüne bakarak gelecekle ilgili tahmin yürüten müneccimi, şiirine dahil eden şaire göre gelecek zaman içinde yüz binlerce kan dökülecektir. Çünkü müneccim, gökyüzünde Mirrîh'in gözüne benzeyen ayı görmüştür. Şaire göre Mirrîh'in gökyüzünde görülmesi onun taşıdığı anlamlar dolayısıyla bir bakıma felaketin habercisidir. Bu felaket neticesinde ise gelecekte oldukça fazla kan dökülecektir:

“Tâli‘ün tutup müneccim ey meh-i mirrîh-çeşm

Didi kim bunun ucundan günde yüz bin kan olur” (Gıynaş, 2017, s.687).

Sevgilinin özelliklerinden birisi de onun aşıkları arasında kavga (fitne) çıkarmasıdır. Divan şiirindeki sevgili, ona âşık olanların sayısı ile övünür. Her bir âşığa ayrı bir kıymet ve ehemmiyet veren sevgili, âşıklarının kendi aralarında onun için kavga etmesinden de hoşlanır. Bu yönüyle girdiği her ortamda âşıkları birbirine düşürerek onların kavga etmesine sebebiyet veren sevgili, şairler tarafından fitne çıkarıcı kişi olarak adlandırılır. Aşağıdaki şiirde ise âşıklar arasında fitne çıkarıcı unsurun sevgilinin Mirrîh'e benzeyen gözü olduğu ifade edilmiştir. Aslında şair bir bakıma yukarıdaki şiirde olduğu gibi gökyüzüne bakılarak gelecek hakkında tahmin yürütme geleneğine de vurgu yapmıştır. Şaire göre bugün gerçekleşecek olayların hepsinin müsebbibi sevgilinin fitne çıkarıcı gözüdür çünkü kendisini ortaya çıkarmıştır:

“Senün mirrîh çeşmün fitnesidür

Bu gün her hâdisе kim ola vâki” (Tanrıbuyurdu, 2018, s.196).

Sevgilinin fitneci (fettân) olarak nitelendirildiği bir başka şiirde ise âşıklar arasında kavgalar çıkarıcı ve onları birbirine düşüren sevgili, yine Mirrîh olarak karşımıza çıkmaktadır. Kavgacı ve dövüşçü yapısıyla bilinen Mirrîh, âşıkları arasında çatışma çıkarmak isteyen sevgiliyle özellikleri bakımından örtüşmektedir. Şaire göre hilal kaşısı ve Mirrîh'e benzeyen gözleriyle sevgili, fitne çıkarıcı Mirrîh'dir:

“Hilâlî kaşısı mı mirrîh çeşmi üzre cânânun

Yazılmış üstine ma‘kûs yâhûd nûn mı fettânun” (Saraç, 2002, s.171).

Klasik Türk edebiyatında Mirrîh, daha çok elindeki kılıçla veya hançerle tasvir edilir. Bazı beyitlerde ise Mirrîh'in diğer elinde kalkan da bulunmaktadır. Ancak aşağıdaki beyitte şair, oldukça farklı bir hayal oluşturmuştur. Bu beyitte Mirrîh, kılıç, hançer ve kalkan gibi savaş âletlerinin hiçbirini kullanmamaktadır. Şair, sevgilinin öfkeli gözlerini (pür-hışm), yaya benzettiği kaşının içinde görmüştür. Bu tasvirde ok atmaya hazırlanan sevgili ise Mirrîh'dir:

“Pür-hışm çeşmüni çün kaşun içinde gördüm

Sandum ki eylemişdür Mirrîh kavsı menzil” (İpekten, 2020, s.84).

Sözlükte “1. (ast.) Merih. 2.erkek adı. 3. eski İran hükümdarı Behrâm-ı Gûr.” (Kanar, 2009, s.354) anlamlarına gelen behrâm kelimesi divan şairlerince Mirrîh'in anlatıldığı beyitlerde tevriyeli olarak kullanılmıştır. Aşağıdaki şiirde de böyle bir durum mevcuttur. Şair, öfke dolu gözleri sebebiyle Mirrîh'e benzettiği sevgilisinden Behrâm diye söz etmektedir. Beyitte ismi geçen Behrâm'a farklı açıdan bakıldığında ise ortaya İran hükümdarı Behrâm çıkmaktadır:

“ ‘Ayn-ı Merrîhdurur çeşmi ki pür-hışmdurur

Ol kamer çehreye per nâm komışlar Behrâm” (Üst, 2018, s.2396).

SONUÇ

Divan şiirinde yer alan kozmolojiyle ilgili metinlere bakıldığında şairlerin gerçek ve olağandışlıkla harmanlanmış kadim bilgilerden, mitolojilerden ve çeşitli inanışlardan faydalanarak çeşitli hayaller oluşturdukları görülür. Dünyaya geldiği andan itibaren doğa olaylarını gökteki cisimlerin hareketleriyle açıklamaya çalışan insanlık, bu bilgilere uzun deneyimler sonucunda ulaşmıştır. Şairlerin edindikleri bu bilgiler ise Doğu ve Batı medeniyetlerinin hafızasında bulunan ortak bilgilerdir. Yunanlıların Ares, Romalıların Mars, doğu medeniyeti mensup milletlerin ise daha çok Mirrîh ve Behrâm olarak adlandırdığı Mars gezegeni de bu açıdan bünyesinde birçok ulusun özelliğini ve inanışını taşıyan bir karakteri yansıtmaktadır. Divan şairleri; Yunan ve Roma mitolojisinde savaş tanrısı olarak tanımlanan başında miğferi olan, bir elinde kalkan diğer elinde mızrak taşıyan bu savaşçıyı bazen benzer özelliklerle bazen de farklılıklarla şiirlerine taşırlar. Divan edebiyatında tıpkı bahsi geçen mitolojilerdeki gibi savaşçı olarak karşımıza çıkan Mirrîh, savaş aleti olarak hançer, kılıç ve kalkan kullanır. Batı kültüründe görülen mızrak ve miğfer bu açıdan divan şiirinde Mirrîh ile ilişkilendirilmez.

Tabiatı ve yapısı itibariyle öfkeli, kızgın, kavgacı ve kan dökücü bir karakter sergileyen Mirrîh, hem batı kültüründe hem de divan edebiyatında bu haliyle yerini alır. Bahsi geçen bu sıfatların hepsi divan şiirindeki sevgili tipinin özellikleriyle örtüştüğünden dolayı, şairlerin birçoğu Mirrîh'ten bahsederken aslında şiirin arka yapısında sevgiliyi anlatmaktadırlar. Mirrîh'in gözü, kan dökücülüğü vasıtasıyla sevgilinin gözüne benzetilerken; sahip olduğu keskin kılıcıysa sevgilinin gamzesiyle eş tutulmuştur. Bu açıdan şairler, öldürme noktasında oldukça mahir olan Mirrîh'i ve sevgiliyi bir arada anmışlardır. Bazense şairler, sevgilinin güzellik unsuru olan kirpiği, Mirrîh'in kılıcına ve okuna benzetmişlerdir. Divan şiirinde sevgilinin kirpiğinin oka benzetilmesi, çok sık kullanılan bir durumdur ancak batı kültüründeki Mirrîh tasvirlerine bakıldığında böyle bir benzetmeye rastlanmaz. Sevgiliyle Mirrîh arasında yakınlık kuran şairler, Mirrîh'i farklı bir şekilde tasvir ederek zaman zaman onu ok taşıyan bir savaşçı olarak da görmüşlerdir.

Kozmolojiyle ilgili unsurların anlatıldığı divan şiirinde pek çok gezegen ve yıldız aynı beyit içinde farklı anlamlar taşıyacak şekilde kullanılmıştır. Divan şairleri Mirrîh'ten bahsederken farklı özelliklere sahip olan Müşterî ve Nâhid gibi gezegenleri de onunla birlikte anmışlardır. Gezegenleri birbiriyle kıyaslayan şairler, hayallerini oluştururken bahsi geçen gezegenlerin özelliklerini de sıralarlar. Bununla birlikte divan şiirinde daha çok sevgiliyle bir tutulan güneşin ve ayın da bahsi geçen metinlerde karşımıza çıktığına söyleyebiliriz. Ortaya çıkan tasvirlerde divan şairleri, bir bütün olarak gökyüzündeki bütün unsurları çeşitli benzetmeler ve hayaller vasıtasıyla şiirlerinde aktarmaya çalışmışlardır.

KAYNAKÇA

- Arslan, M. (2018). Bursalı İffet Dîvânı. <https://ekitap.ktb.gov.tr/Eklenti/59882,bursali-iffet-divanipdf.pdf?0>, Erişim tarihi: [04.03.2024]
- Batği, Ö. (2017). Numân Mâhir Dîvânı. <https://ekitap.ktb.gov.tr/Eklenti/56156,numan-mahir-divanipdf.pdf?0>, Erişim tarihi: [04.03.2024]
- Can, Ş. (1994). Klasik Yunan Mitolojisi. (3.Baskı) İnkılâp Kitabevi.
- Çağbayır, Y. (2017). Ötüken Osmanlı Türkçesi Sözlüğü. Ötüken Neşriyat.
- Çavuşoğlu, M. (1977). Yahyâ Bey Dîvân. İstanbul Üniversitesi Edebiyat Fakültesi Yayınları.
- Demir, H. (2017). Lâzikîzâde Feyzullah Nâfiz Dîvânı. <https://ekitap.ktb.gov.tr/Eklenti/54126,53959lazikizade-feyzullah-nafizdivanpdfpdf.pdf?0>, Erişim tarihi: [04.03.2024]
- Erdoğan, M. (2017). Bursalı Rahmî Dîvânı. <https://ekitap.ktb.gov.tr/Eklenti/55910,bursali-rahmi-divanipdf.pdf?0>, Erişim tarihi: [04.03.2024]
- Ersoy, E. (2017). Münirî Dîvânı. <https://ekitap.ktb.gov.tr/Eklenti/56095,muniri-divanipdf.pdf?0>, Erişim tarihi: [04.03.2024]
- Erünsal, İ.E. (2018). Tâcî-Zâde Ca'fer Çelebi Dîvânı. <https://ekitap.ktb.gov.tr/Eklenti/59332,taci-zade-cafer-celebi-divanipdf.pdf?0>, Erişim tarihi: [04.03.2024]
- Esin, E. (2001). Türk Kozmolojisine Giriş. (1.Baskı) Kabalcı Yayınları.

- Gıynaş, K.A. (2017). Pervâne Bey Mecmuası. <https://ekitap.ktb.gov.tr/Eklenti/55832,pervane-bey-mecmuasi-pdf.pdf?0>, Erişim tarihi: [04.03.2024]
- Grimal, P. (2012). Mitoloji Sözlüğü Yunan ve Roma. (1.Baskı) Kabalcı Yayınları.
- Güzel, B. (2018). Safvetî Mehmet Çelebi Dîvânı. <https://ekitap.ktb.gov.tr/Eklenti/58910,safveti-mehmet-celebi-divancesipdf.pdf?0>, Erişim tarihi: [04.03.2024]
- Harmancı, M.E. (2007). Süheylî Dîvân. (1.Baskı) Akçağ Yayınları.
- İpekten, H. (2020). Karamanlı Nizâmî Dîvânı. <https://ekitap.ktb.gov.tr/Eklenti/73032,karamanli-nizami-divanipdf.pdf?0>, Erişim tarihi: [04.03.2024]
- İpşirli, M. (1991). Âsaf. İslam Ansiklopedisi içinde (Cilt:3, s.35). Türkiye Diyanet Vakfı Yayınları. <https://islamansiklopedisi.org.tr/asaf>, Erişim tarihi: [04.03.2024]
- Kam, Ömer F. (2012). Divan Şiirinin Dünyasına Giriş Âsâr-ı Edebiyye Tedkîkâtı (Hazırlayan Halil Çeltik). Birleşik Yayınları.
- Kanar, M. (2009). Osmanlı Türkçe Sözlüğü. (1.Baskı) Say Yayınları.
- Kaplan, Y. (2019). Fevzî Dîvânı. <https://ekitap.ktb.gov.tr/Eklenti/67209,fevzi-divanipdf.pdf?0>, Erişim tarihi: [04.03.2024]
- Kaya, B.A. (2017). Azmizâde Hâletî Dîvânı. <https://ekitap.ktb.gov.tr/Eklenti/56159,azmizade-haleti-divanipdf.pdf?0>, Erişim tarihi: [04.03.2024]
- Kaya, B.A. (2020). Osman Nevres Dîvânı. <https://ekitap.ktb.gov.tr/Eklenti/76247,osman-nevres-divanipdf.pdf?0>, Erişim tarihi: [04.03.2024]
- Kırbyık, H. (2001). Babillerden Günümüze Kozmoloji. (1.Baskı) İmge Kitabevi.
- Kurtoğlu, O. (2017a). Zâtî Dîvânı (Gazeller Dışındaki Şiirler). <https://ekitap.ktb.gov.tr/Eklenti/56164,zati-divanipdf.pdf?0>, Erişim tarihi: [04.03.2024]
- Kurtoğlu, O. (2017b). Lebib Dîvânı. <https://ekitap.ktb.gov.tr/Eklenti/55756,lebib-divanipdf.pdf?0>, Erişim tarihi: [04.03.2024]
- Küçük, S. (2011). Bâkî Dîvânı. (2. Baskı) Türk Dil Kurumu Yayınları.
- Mermer, A. (2020). Karamanlı Aynî Dîvânı. <https://ekitap.ktb.gov.tr/Eklenti/78478,karamanli-ayni-divanipdf.pdf?0>, Erişim tarihi: [04.03.2024]
- Ögel, B. (2014). Türk Mitolojisi II. Cilt. (5. Baskı) Türk Tarih Kurumu Yayınları.
- Pala, İ. (2007). Ansiklopedik Divân Şiiri Sözlüğü. (15.Baskı) Kapı Yayınları.
- Saraç, M.A.Y. (2002). Emrî Divanı. (1.Baskı) Eren Yayıncılık.
- Şentürk, A.A. (1994). Osmanlı Edebiyatında Felekler, Seyyare ve Sabiteler (Burçlar). *Türk Dünyası Araştırmaları* (90), 131-180.
- Tanrıbuyurdu, G. (2018). Kalkandelenli Mu'îdî Dîvânı. <https://ekitap.ktb.gov.tr/Eklenti/59883,kalkandelenli-mu39idi-divanipdf.pdf?0>, Erişim tarihi: [04.03.2024]
- Taş, H. (2017). Vahyî Dîvânı. <https://ekitap.ktb.gov.tr/Eklenti/55745,vahyi-divanipdf.pdf?0>, Erişim tarihi: [04.03.2024]
- Turak, Ö. (2018). Roma Pantheonu: Eski Yunan Tanrıları Nasıl Romalı Oldu?, *Amisos*, 3/5, 481-492.
- Üst, S. (2018). Edirneli Nazmî Dîvânı. <https://ekitap.ktb.gov.tr/Eklenti/57766,edirneli-nazmi-divanipdf.pdf?0>, Erişim tarihi: [04.03.2024]
- Yakar, H.İ. (2018). Gelibolulu Sun'î Dîvânı. <https://ekitap.ktb.gov.tr/Eklenti/57257,gelibolulu-suni-divanipdf.pdf?0>, Erişim tarihi: [04.03.2024]
- Yılmaz, D. & Kılıç, H. (2012). Erzurumlu İbrahim Hakkı Marifetnâme. Hikmet Neşriyat

GELENEKSELDEN POPÜLER KÜLTÜRE: TÜRK MÜZİĞİNDE İCRACILIK ÖRNEĞİ

Turgay AKDAĞOĞLU

Ardahan Üniversitesi, Güzel Sanatlar Fakültesi, Türk Müziği Bölümü

ÖZET

Bu çalışma, Türk müziğinin geleneksel köklerinden modern popüler kültüre uzanan geniş yelpazesinde icracılığın evrimini ele almaktadır. Türk müziği, tarihi boyunca derin bir dönüşüm geçirmiştir; geleneksel formlardan, popüler müziğin global trendlerine kadar uzanan bir spektrumda kendini yeniden şekillendirmiştir. Bu makale, bu dönüşüm sürecinde icracıların rolünü, icra tekniklerinin nasıl evrildiğini ve bu süreçte müzikal ifadenin nasıl değiştiğini incelemektedir. Ayrıca, geleneksel Türk müziğinin özgün unsurlarının, modern popüler müzik pratiklerine nasıl entegre edildiğini ve bu sürecin Türk popüler müziğinin benzersiz karakterini nasıl şekillendirdiğini ortaya koymaktadır.

Makale, ilk olarak Osmanlı döneminden itibaren Türk müziğinde icracılığın tarihçesini özetlemekte, ardından Cumhuriyet döneminin getirdiği yenilikler ve Batılılaşma çabaları çerçevesinde müzikal icranın nasıl dönüştüğünü ele almaktadır. Geleneksel saz eserlerinden, klasik Türk müziği repertuarına, ardından 20. yüzyılın ikinci yarısında ortaya çıkan popüler Türk müziği icralarına kadar uzanan geniş bir perspektif sunulmaktadır.

Araştırma, geleneksel müzikten popüler müziğe geçişte icracıların karşılaştığı zorlukları, bu süreçte kullanılan yeni enstrümanları ve teknolojinin icracılık üzerindeki etkilerini de detaylı bir şekilde inceler. Özellikle, elektronik müzik aletlerinin kullanımının artması, stüdyo kayıt tekniklerinin gelişimi ve sosyal medyanın icracılar için sunduğu yeni platformlar gibi konulara değinilmektedir.

Son olarak, makale, Türk müziğinde icracılığın geleceğine dair öngörülerde bulunarak, geleneksel ve popüler müziğin birbirini nasıl etkilediği, bu etkileşimin Türk müziğinin global müzik piyasasındaki yerini nasıl şekillendirdiği üzerine düşünceler sunmaktadır. Bu çalışma, Türk müziğinin dinamik yapısını ve icracılık pratiğinin sürekli evrim geçiren doğasını vurgulayarak, müzikal miras ile modern ifade arasında köprü kurmaktadır.

Anahtar Kelimeler: Türk Müziği, Geleneksel Müzik, Popüler Kültür, İrcacılık, Müzikal Dönüşüm, Kültürel Kimlik, Sanatçılar, Müzik Endüstrisi, Çalgılar, Müzikal Yenilik.

ABSTRACT

This study examines the evolution of performance in a wide range of Turkish music, from its traditional roots to modern popular culture. Turkish music has undergone a deep transformation throughout its history; It has reshaped itself in a spectrum ranging from traditional forms to global trends of popular music. This article examines the role of performers in this transformation process, how performance techniques evolved, and how musical expression changed in this process. It also reveals how unique elements of traditional Turkish music were integrated into modern popular music practices and how this process shaped the unique character of Turkish popular music.

The article first summarizes the history of performance in Turkish music since the Ottoman period, and then discusses how musical performance transformed within the framework of the innovations brought by the Republican period and Westernization efforts. A broad perspective is presented, ranging from traditional instrumental pieces to the classical Turkish music repertoire, and then to popular Turkish music performances that emerged in the second half of the 20th century.

The research examines in detail the difficulties faced by performers in the transition from traditional music to popular music, the new instruments used in this process, and the effects of technology on performing. In particular, topics such as the increased use of electronic musical instruments, the development of studio recording techniques and the new platforms offered by social media for performers are touched upon.

Finally, the article makes predictions about the future of performing in Turkish music and offers thoughts on how traditional and popular music affect each other and how this interaction shapes the place of Turkish music in the global music market. This work builds a bridge between musical heritage and modern expression by emphasizing the dynamic structure of Turkish music and the constantly evolving nature of performing practice.

Key Words: Turkish Music, Traditional Music, Popular Culture, Performance, Musical Transformation, Cultural Identity, Artists, Music Industry, Instruments, Musical Innovation.

ARKİTEKTONİK ÖĞELERİN MİMARİ TASARIM SÜRECİ OLARAK YORUMLANMASI: TURGUT CANSEVER MİMARLIĞI

Assist. Prof. Dr. Ayça ARSLAN

Usak University, Faculty of Architecture and Design, Department of Architecture, 1 September
Campus, Center, Usak

ORCID ID: 0000-0002-5262-1429

ÖZET

Bu çalışma, mimari tasarım sürecinde önemli bir yer tutan konsept, konsept geliştirme, ikonik, benzersiz olma ve mimari estetik kaygı gibi kavramlara yoğunlaşarak, bina tasarımının güzellik, estetik ve soyut/sanatsal kısmına konsantre olmaktadır. Mimari tasarım denilen kavram, her ne kadara içe dönük bir süreç olarak bilinse de, aslında son derece interdisipliner konuları ilgilendiren, iç mekân ile kentsel mekân arasında, bina ile kent arasında görünürlüğü olmasından dolayı, hem kendine dönük hem de kente ait sorumlulukları olan bir süreçtir. Mimari tasarım denilen kavramı sadece bina ölçeğine indirgemek, modernizm döneminde kalan artık eski bir stildir. Günümüzde, özellikle içinde bulunduğumuz globalleşen ve küreselleşen çağda, bir fark yaratabilmek ve bunu yaparken kendi örf ve adetlerimizi, kültürel değerlerimizi korumak, kendi iklim ve çevremize uygun çözümler üretmek ama bir taraftan da yenilikçilik ve ileri teknolojiyi kullanabilmek, belki de bugünün mimari tasarım araçlarını tarif eden kavramlar olarak karşımıza çıkar.

Sürdürülebilirlik, kimlikli toplumlar/mimariler ancak mimari tasarımların buldukları bağlama entegre olabilme ve bağlanabilme kapasiteleri ile sağlanabilir ve kolektif bellekte çok önemli yeti olan ‘aşinalık’ kavramını, ancak görsel sanatların en çarpıcı ve güçlü olanı ‘kimlikli bina tasarımları’ ile sağlanabilir. Kimlikli bina dediğimiz kavramının birçok parametresi mevcuttur, bunlardan en baskın olanları; mekânsal kimlik, kültürel kimlik ve bağlamsal kimlik olarak üç ana başlıkta toplanabilir. Mimari tasarımda mekânsal kimliği sadece iç mekanlar bazında ; avlular, sofalar, eyvanlar, etc..olarak ele alamayız, binanın kentle entegrasyonu söz konusu olduğu için, sokaklar, meydanlar ve bina etkileşimi olarak da ele alınması gerekir. Çevresel kimliğe, bölgenin rengi, binaların dokuları ve renkleri, kültürel kimliğe ise arki-tektonik öğeleri sunabiliriz, Arap kültüründeki Kubbe, veya Türk evinde ki ‘Cumba’ gibi. İşte bu çalışmada, mimari tasarımın, kimlik boyutu üç tip tasarım parametresi ile ele alınıp, Mimar Turgut Cansever mimarlığı ve projeleri üzerinden bina analizleri yapılacak olup, yurtdışı uluslararası örneklere ünlü ve güncel mimari projeler aracılığıyla yer verilecektir. Sonuç olarak,

çalışmada amaçlanan, mimari tasarım sürecinde kimlikli binalar yaratma süreçlerine ışık tutacak tasarım verilerinin ve süreçlerinin elde edilmesidir.

Anahtar Kelimeler: Bölgeselcilik, Arkitektonik öğeler, Mimari Tasarım, Turgut Cansever

THE INTERPRETATION OF ARCHTECTONIC ELEMENTS AS AN ARCHITECTURAL DESIGN PROCESS: ARCHITECTURAL APPROACH OF TURGUT CANSEVER

ABSTRACT

This study concentrates on the beauty, aesthetics and abstract/artistic parts of building design, such as; concept development, iconicity, uniqueness, and architectural aesthetics, which have an important place in the architectural design process. Although the concept of architectural design is known as an introverted process, it is actually a process that concerns highly interdisciplinary issues and has both self-oriented and urban responsibilities due to its visibility between the interior and urban space, the building and the city. Reducing the concept of architectural design to just the building scale is an old style left over from the modernism period. Nowadays, especially in the globalizing age we live in, being able to make a difference and while doing this, preserving our own customs and traditions, cultural values, producing solutions suitable for our own climate and environment, but also being able to use innovation and advanced technology, is perhaps what describes today's architectural design tools, appear as concepts. Sustainability and societies/architectures with identity can only be achieved with the capacity of architectural designs to integrate and connect to their context, and the concept of 'familiarity'. This is a very important ability in collective memory, and can only be achieved with 'identity building designs', the most striking and powerful of visual arts. The concept of what we call an identity building has many parameters, the most dominant ones are: i. spatial identity, ii. cultural identity, iii. contextual identity. In architectural design, spatial identity is not based on only interior space such as; courtyards, sofas, iwans, etc.; the integration of building with the environment is in questions such as; streets-squares and building interaction. For the environmental identity, the color of the region, textures and materials of buildings come forward. The cultural identity pays attention to architectonic elements, such as; domes, domes, arches, etc. For example 'Dome' is an extra important architectural element in Arab culture or the 'Bay Window (cumba)' in Turkish culture. In this study, the identity of architectural design has been investigated with three types of design parameters, and building analyzes have been realized over Architect Turgut Cansever projects. In addition, international examples from abroad also be included to analyzes, selected from current, iconic, and famous architectural environments. As a result, the aim of the study is to obtain design data and processes that will shed a light for future studies on the processes of creating buildings with identity, in the architectural design process.

Keywords: Regionalism, Architectonic elements, Architectural Design, Turgut Cansever

ENHANCEMENT OF PLANT GROWTH, USING PLANT GROWTH PROMOTING RHIZOBACTERIA (PGPR) ASSOCIATED WITH PLUM TREES (PRUNUS DOMESTICA)

Batoul Essalimi

Laboratory of Plant Biotechnology, Ecology and Ecosystem Valorisation, Faculty of Sciences, University Chouaib Doukkali, 24000 El Jadida, Morocco

Siham Esserti

Laboratory of Plant Biotechnology, Ecology and Ecosystem Valorisation, Faculty of Sciences, University Chouaib Doukkali, 24000 El Jadida, Morocco

Lalla Aicha Rifai

Laboratory of Plant Biotechnology, Ecology and Ecosystem Valorisation, Faculty of Sciences, University Chouaib Doukkali, 24000 El Jadida, Morocco

Tayeb Koussa

Laboratory of Plant Biotechnology, Ecology and Ecosystem Valorisation, Faculty of Sciences, University Chouaib Doukkali, 24000 El Jadida, Morocco

Kacem Makroum

Laboratory of Plant Biotechnology, Ecology and Ecosystem Valorisation, Faculty of Sciences, University Chouaib Doukkali, 24000 El Jadida, Morocco

Malika Belfaiza

Laboratory of Plant Biotechnology, Ecology and Ecosystem Valorisation, Faculty of Sciences, University Chouaib Doukkali, 24000 El Jadida, Morocco

Lydia Faize

PIAF-UMR547, University Blaise Pascal, , France

Mohamed Faize

Laboratory of Plant Biotechnology, Ecology and Ecosystem Valorisation, Faculty of Sciences, University Chouaib Doukkali, 24000 El Jadida, Morocco

ABSTRACT

Salinity is one of the main abiotic stresses limiting plant growth and development.

High salinity is harmful for crop physiology and yield, moreover, the use of salt-tolerant plants combined with beneficial soil microorganisms could improve the effectiveness of biological methods for saline soil recovery. Here, we assess the influence of plant-growth-promoting bacteria (PGPR).

In this study, we performed a screening of bacteria associated with the rhizosphere of *Prunus domestica* trees to identify bacterial strains with plant growth-promoting activity. Ten strains isolated from the rhizosphere of *P. domestica* showed multiple in vitro plant growth promoting rhizobacteria (PGPR) activity such as the production of indole acetic acid, hydrogen cyanide, ammonia, solubilization of phosphates and antifungal activity against *Verticillium dahliae* and *Fusarium oxysporum* f.sp. *melonis* in vitro. 16S rRNA sequencing identified strains Pr7 and Pr8 as *Pseudomonas stutzeri* and *Bacillus toyonensis*, respectively.

In planta, they significantly increased the growth (stem length, number of leaflets, leaf area and root weight) and biochemical (nitrate reductase activity, proline and chlorophyll content) parameters of tomato, as well as the rate of seed germination. Two selected strains (Pr7 and Pr8) protected tomato plants against salt stress. In addition The plants inoculated with pr7 and pr8 had significantly greater shoot biomass than the control. Since these two PGPR inoculants exhibited multiple traits beneficial to the examined host plants, Plant growth declined significantly under salt stress compared to the control, successful acclimatization of micropropagated plants.

Keywords: Plant growth promoting Rhizobacteria, Salt stress, Seedling growth.

1.INTRODUCTION

The intensification of agricultural production and improved yields has forced farmers to use chemicals in the form of fertilizers and pesticides as a reliable method in protecting crops from plant pathogens (Oerke and Dehne, 2004; Roy et al., 2006) However, several negative impacts are encountered on human health and environment, including accumulation of chemicals in all parts of the food chain and contamination of water and soil (Aktar et al., 2009). Soil is a fantastic reservoir of microorganisms, in terms of diversity and density, especially the rhizosphere, constituting a rhizomicrobiome. The massive release of rhizo-deposits into the rhizosphere by the roots exerts a considerable control over the composition of rhizo-microbiome (Zhang et al., 2017). These microorganisms find essential energy substrates for their metabolisms and some of them, mainly bacteria, in turn play a key role in a number of processes including the acquisition of nutrients for plants, geochemical cycles such as nitrogen, and soil structure. These bacteria, which positively influence the growth and health of plants, are included under the term Plant Growth Promoting Rhizobacteria (PGPR). Several species belonging to the genus *Alcaligenes*, *Arthrobacter*, *Azobacter*, *Azospirillum*, *Bacillus*, *Burkholderia*, *Enterobacter*, *Klebsiella*, *Pantoea* and *Serratia* were reported to be PGPR (Shaharan and Nehra, 2011) and inoculating plants with them can be an effective strategy to stimulate crop growth and to improve crop tolerance for the abiotic stresses, such as drought and salinity, within the context of climatic change. This discovery has resulted in multifunctional PGPR-based formulations for commercial agriculture, to minimize the use of synthetic fertilizers and agrochemicals (Backer et al., 2018). Several strains belonging to the genus of *Bacillus* and *Pseudomonas* are

already marketed as a biofertilizer and biopesticide (Borriss 2011; Santoyo et al., 2012; Sivasakthi et al., 2014).

This work aimed on the isolation of rhizospheric bacteria producing antifungal substances and stimulating plant growth from the rhizosphere of *Prunus domestica*, with multiple applications. We first, focused on the identification of potential PGPR strains by determining their in vitro traits related to mineral nutrition, production of the plant growth hormone indole-3-acetic acid (IAA), and their antagonism against various strains of phytopathogenic fungi. Two strains were selected and identified as *Pseudomonas stutzeri* and *Bacillus toyonensis* using 16S rRNA gene sequencing. Our main goals were to assess, their effect on tomato seed germination, growth, chlorophyll contents and biochemical parameters under normal conditions and when subjected to salt stress;

2. Materials and methods

2.1. Microorganisms

The bacterial strain used in this study was carried out in February 2019 in a private plum orchard, located at El Gherb region, Sidi Kacem, Morocco. The bacterial isolates were obtained from rhizospheric soil by serial dilutions performed in sterile physiological water were spread on Yeast Peptone Glucose Agar (YPGA) medium and then incubated at 28 °C for 48 h. The chosen colonies were purified separately after being streaked three times on YPGA agar.

Eventually, two bacterial strain with the highest IAA producing, phosphate solubilizing ability and ammonia production named Pr7 and Pr8, was further characterized and identified. All the above experiments were carried out under sterile conditions.

2.2. Characterization of the isolates

For 16S rRNA (Partial 16S ribosomal RNA) gene sequence analysis, the 16S rRNA sequencing was performed for taxonomical assignment. The primers sequences used for PCR amplification of bacterial genomic DNA and sequencing are as follows: 27-F: 5' -AGA GTT TGA TCC TGG CTC AG-3' , and 1492-R: 5' -TAC GGT TAC CTT GTT ACG ACT T-3' . The obtained sequences were compared against nucleotide databases to generate a consensus sequence using the NCBI BLAST algorithm at <http://www.ncbi.nlm.nih.gov/blast/Blast.cgi>. 16S rDNA

sequences obtained from the selected strains Pr7 and Pr8 were deposited in GenBank under the accession numbers MT946867 and MT946868, respectively.

The production of IAA by the bacteria strain was evaluated using colorimetric method of Loper and Scroth (1986). Cyanide production was detected following the protocol of Lorck et al. (1948).

Ammonia production was assessed both qualitatively and quantitatively. The qualitative test was carried out according to the method of Laslo et al. (2012).

2.4. Microbial inoculation and salt stress treatments

Tomato seeds (*Lycopersicon esculentum*) var. 'Campbell' were disinfected with 5% commercial bleach for 1 min then rinsed with sterile distilled water (SDW) and inoculated with bacterial isolates at a concentration of 10^8 CFU mL⁻¹ during 30 min. Un-inoculated control seeds were similarly treated with SDW. After inoculation, seeds were sown in trays containing the peat.

Tomato seeds were germinated in plastic pots as described above in the presence of SDW or in aqueous Pr7 or Pr8 formulations (10^8 cfu mL⁻¹). Plants were treated after 12 days of emergence with SDW (as salinity control) or with 150 mM of NaCl every two days during 12 days. The pots were irrigated with SDW when necessary. Each experiment was repeated twice with 10 replicate plants of each treatment. 35 days after application of the first salt treatment the plants were analyzed for growth parameters as described above. Proline content was determined at 0, 3 and 12 days after the application of the first salt treatment.

Results

Based on the macroscopic characteristics of the colonies on YPGA medium (size, shape, color and surface) fifty different colonies were isolated from the rhizosphere of *P. domestica*. However, only 10 isolates, which enhanced vigor index of tomato seedlings, were further characterized for their in vitro and in planta PGPR activities.

All selected strains showed PGPR activities (Table 1). They were all able to produce IAA from 19.3 to 48.4 μ g mL⁻¹ as observed for Pr5 and Pr31,

Similarly, they were also able to produce ammonia. This capacity ranged from 0.16 to 0.96 $\mu\text{g mL}^{-1}$ for the strains Pr26 and Pr8, respectively

Results showed that they can significantly and almost equally solubilize tricalcium phosphate with solubilization index varying from 1.3 to 1.6. Regarding HCN production, only 4 strains (Pr5, Pr8, Pr31 and Pr48) were able to do so, as revealed by the shift from yellow to brownish coloration.

Table 2
Comparative performance of PGPR strains isolated from plum rhizosphere on growth parameters of tomato seedlings.

Treatment	Germination rate (%)	Stem length (cm)	Vigor Index	Leaf number	Leaf area (cm^2)	Root fresh weight (g)
Control	75 \pm 0.3 ^c	33.2 \pm 1.6 ^d	24.9	49 \pm 3.5 ^c	13.45 \pm 0.034 ^{cd}	12.1 \pm 1.5 ^c
Pr5	72 \pm 5 ^c	43.7 \pm 3.1 ^b	31.5	53.7 \pm 3.1 ^c	18.10 \pm 0.027 ^{ab}	21.1 \pm 2.3 ^{ab}
Pr6	82 \pm 3 ^b	48.2 \pm 3.4 ^b	39.5	58.2 \pm 3.5 ^{bc}	16.89 \pm 0.04 ^c	19.4 \pm 3.2 ^{ab}
Pr7	80 \pm 0.3 ^b	39.3 \pm 3.3 ^c	31.4	66.7 \pm 2.9 ^b	15.61 \pm 0.05 ^c	18.8 \pm 2.2 ^{ab}
Pr8	95 \pm 1 ^a	54.4 \pm 2.2 ^a	52	83.4 \pm 3.2 ^a	20.60 \pm 0.037 ^a	23.8 \pm 4.1 ^a
Pr17	85 \pm 0.3 ^b	32.5 \pm 2.2 ^d	27.6	54.3 \pm 2.6 ^c	14.21 \pm 1.89 ^{bc}	18 \pm 2.4 ^{bc}
Pr18	70 \pm 1 ^c	40 \pm 2.4 ^c	28	69.8 \pm 4.9 ^b	10.59 \pm 0.040 ^d	12.6 \pm 1.2 ^c
Pr26	80 \pm 0.3 ^b	32.5 \pm 2 ^d	26	60.5 \pm 2 ^{bc}	11.32 \pm 1.35 ^d	Nd
Pr31	76 \pm 2 ^c	38.3 \pm 3 ^c	29	66.2 \pm 3.3 ^b	16.55 \pm 0.018 ^b	19.3 \pm 1.5 ^{ab}
Pr48	91 \pm 5 ^a	44.8 \pm 0.3 ^b	40.3	69.8 \pm 2.3 ^b	16.26 \pm 0.031 ^b	17 \pm 2.6 ^{bc}
Pr50	92 \pm 3 ^a	33 \pm 2.4 ^d	30.4	63 \pm 2.4 ^b	9.96 \pm 2.63 ^e	12.6 \pm 3.2 ^c

For germination rate, leaf area and root fresh weight data are means and confidence interval (95%) from three replicates. For stem length and leaf number data are means and confidence interval (95%) from ten replicates. Values within the same column followed by different letters are significantly different according to Tukey's honest significant difference (HSD) test at $P < 0.05$. nd; non determined.

2.5. Plant analyses

Effect of rhizobacterial strains on germination and plant growth parameters

To assess the in planta activity of rhizobacterial strains the rate of germination of tomato seeds, as well as various parameters of growth (stem weight, vigor index, root weight, leaf number and leaf area), were determined (Table 2). The bacterial treatment of tomato seeds showed that the strains Pr6, Pr7, Pr8, Pr17, Pr26, Pr48 and Pr50 enhanced significantly germination rate, with a maximum observed for the strain Pr8 (95% versus 75% for the control). The stem length was significantly enhanced in seeds treated with all the strains used, except for Pr17 and Pr50. However, vigor index was enhanced by all the strains with the Pr8 being the most effective (52 compared with 24.9 for the control). All the strains significantly increased the number of leaves. However, the maximum of increase was recorded with the strain Pr8 with an average of 83 leaves / plant compared to the 49 leaves / plant for the control treated with SDW. Likewise, the leaf area was significantly improved and the greatest effect was recorded again with the strain Pr8 (20.60 respective to 13.45 for the control). Furthermore, the roots fresh weight was generally improved in all inoculated plants compared to the control, except for the strains 17 and 50, with the maximum of improvement obtained by using the strain Pr8. An illustration of

the positive effect of the strain Pr8 on vegetative growth of tomato seedlings is shown in Fig. 1.

Table 2
Comparative performance of PGPR strains isolated from plum rhizosphere on growth parameters of tomato seedlings.

Treatment	Germination rate (%)	Stem length (cm)	Vigor Index	Leaf number	Leaf area (cm ²)	Root fresh weight (g)
Control	75±0.3 ^c	33.2 ± 1.6 ^d	24.9	49±3.5 ^c	13.45±0.034 ^{cd}	12.1 ± 1.5 ^c
Pr5	72±5 ^c	43.7 ± 3.1 ^b	31.5	53.7 ± 3.1 ^c	18.10±0.027 ^{ab}	21.1 ± 2.3 ^{ab}
Pr6	82±3 ^b	48.2 ± 3.4 ^b	39.5	58.2 ± 3.5 ^{bc}	16.89±0.04 ^b	19.4 ± 3.2 ^{ab}
Pr7	80±0.3 ^b	39.3 ± 3.3 ^c	31.4	66.7 ± 2.9 ^b	15.61±0.05 ^c	18.8 ± 2.2 ^{ab}
Pr8	95±1 ^a	54.4 ± 2.2 ^a	52	83.4 ± 3.2 ^a	20.60±0.037 ^a	23.8 ± 4.1 ^a
Pr17	85±0.3 ^b	32.5 ± 2.2 ^d	27.6	54.3 ± 2.6 ^c	14.21±1.89 ^{bc}	18±2.4 ^{bc}
Pr18	70±1 ^c	40±2.4 ^c	28	69.8 ± 4.9 ^b	10.59±0.040 ^d	12.6 ± 1.2 ^c
Pr26	80±0.3 ^b	32.5 ± 2 ^d	26	60.5 ± 2 ^{bc}	11.32±1.35 ^d	Nd
Pr31	76±2 ^c	38.3 ± 3 ^c	29	66.2 ± 3.3 ^b	16.55±0.018 ^b	19.3 ± 1.5 ^{ab}
Pr48	91±5 ^a	44.8 ± 0.3 ^b	40.3	69.8 ± 2.3 ^b	16.26±0.031 ^b	17±2.6 ^{bc}
Pr50	92±3 ^a	33±2.4 ^d	30.4	63±2.4 ^b	9.96±2.63 ^e	12.6 ± 3.2 ^c

For germination rate, leaf area and root fresh weight data are means and confidence interval (95%) from three replicates. For stem length and leaf number data are means and confidence interval (95%) from ten replicates. Values within the same column followed by different letters are significantly different according to Tukey's honest significant difference (HSD) test at $P < 0.05$. nd; non determined.

Effect of rhizobacterial strains on leaf pigments, nitrate reductase activity and proline content

The in planta effect of selected strains was also assessed through various biochemical parameters including chlorophyll a and b content as well as nitrate reductase activity and proline concentration (Table 3). Inoculation of tomato seeds with the isolated bacterial strains resulted in plants with significantly elevated chlorophyll a, except for the strains Pr17, Pr31 and Pr50. This effect was clearly evidenced with the strain Pr8 where chlorophyll a and b were enhanced by 75% and 32%, respectively. Nitrate reductase was also significantly enhanced after inoculation with almost all strains, except with Pr17 and Pr31. The highest activity was reported for the strains Pr6 and Pr8 and was about 112% and 62%, respectively higher than the control. However, with Pr26 and Pr50 this activity was drastically inhibited. All the strains increased Proline content in tomato plants, with the exception of the strains Pr17 and Pr31. The maximum concentration of proline is recorded in the plants inoculated with strain Pr8 and was four times greater than that of the control plants.

Table 3

Comparative performance of PGPR strains isolated from plum rhizosphere on photosynthetic pigments, nitrate reductase activity and proline content of tomato seedlings.

Treatment	Chlorophyll a (mg g ⁻¹ FW)	Chlorophyll b (mg g ⁻¹ FW)	Nitrate reductase (mmol NO ₂ g ⁻¹ FW)	Proline (mM g ⁻¹ FW)
Control	0.81±0.11 ^c	0.59±0.08 ^b	0.78±0.07 ^c	0.64±0.1 ^d
Pr5	1.12±0.09 ^b	0.78±0.01 ^a	1.01±0.08 ^b	1.85±0.03 ^b
Pr6	1.26±0.01 ^b	0.59±0.04 ^b	1.69±0.03 ^a	1.73±0.1 ^b
Pr7	1.03±0.03 ^{bc}	0.59±0.07 ^b	0.95±0.03 ^{bc}	1.29±0.3 ^b
Pr8	1.41±0.05 ^a	0.78±0.05 ^a	1.27±0.09 ^b	2.51±0.1 ^a
Pr17	1.06±0.05 ^b	0.54±0.14 ^b	0.85±0.09 ^c	0.78±0.2 ^d
Pr18	1.23±0.09 ^{ab}	0.65±0.04 ^b	1.05±0.05 ^b	1.25±0.2 ^c
Pr26	nd	Nd	0.24±0.02 ^d	Nd
Pr31	1.02±0.12 ^{bc}	0.5 ± 0.05 ^b	0.8 ± 0.11 ^c	0.62±0.2 ^d
Pr48	1.27±0.23 ^b	0.73±0.13 ^{ab}	1.11±0.7 ^b	1.94±0.1 ^b
Pr50	1.15±0.1 ^b	0.61±0.1 ^b	2.5 ± 0.6 ^d	Nd

Data are means and confidence interval (95%) of three replicates. Values within the same column followed by different letters are significantly different according to Tukey's honest significant difference (HSD) test at $P < 0.05$. nd; non determined.

Enhancement of salt stress tolerance by *P. stutzeri* and *B. toyonensis*

Treatment of tomato seeds with selected *P. stutzeri* Pr7 and *B. toyonensis* Pr8 strains allowed for an evaluation of the ameliorative effect on plants against the salinity stress. Plants cultivated in the presence of the strains Pr7 or Pr8 grew to a significantly greater extent in comparison to the plants that were raised without bacterium (Table 4). Stem length, leaf number, leaf area and root lengths as well as root fresh weight were significantly higher in bacterially treated plants under normal conditions. Additionally, all parameters with the exception of root fresh weight were better in bacterially treated plants when exposed to 150 mM of NaCl. The same increase was observed for proline, which is considered an important osmolyte in plants. Proline content was higher in bacterized plants than in the control. Furthermore, salinity induced a significant increase in the proline content in the leaves of tomato plants. The increase was almost two times higher, in bacterized tomato plants under salinized conditions at 3 days and 12 days after salt treatment, than in non-bacterized plants (Fig. 4).

Table 4

Effect of the selected strains Pr7 and Pr8 on growth parameters of tomato seedlings subjected to salt stress.

NaCl Treatment	Bacterial treatment	Stem length (cm)	Leaf number	Leaf area (cm ²)	Root length (cm)	Root fresh weight (g)	
0 mM	Control	39.8 ± 0.7	74.9 ± 2.8	18.2 ± 0.23	16.3 ± 0.6	5.5 ± 0.5	
	Pr7	66.3 ± 3.9*	103.6 ± 7.3*	22.6 ± 0.15*	27.3 ± 1.7*	8.5 ± 1.6*	
	Pr8	59.9 ± 1.2*	100.4 ± 8.3*	27.4 ± 0.33*	28.7 ± 4.8*	10.6 ± 2.5*	
	150 mM	Control	34.5 ± 2.9	62.8 ± 4	11.1 ± 1.80	13.5 ± 0.6	3.6 ± 0.4
		Pr7	45.6 ± 0.9*	76.4 ± 3*	20.5 ± 4.45*	22.7 ± 2.4*	5.2 ± 0.8*
		Pr8	48.5 ± 1.5*	81 ± 4*	19.8 ± 1.50*	24.2 ± 4.6*	4.8 ± 0.9

Conclusion

The present study concluded that the isolated strains of PGPR (Pr7, Pr8) led to improved plant growth, chlorophyll and proline contents, and nitrate reductase activity of tomato plants. The promoting effect of plant growth seems to be related to the production of IAA. In addition, they were able to mitigate the negative effects caused by salinity on tomato plants

ŞAGİRD PERSPEKTİVLƏRİNİN MONİTORİNQİNİN PEDAQOJİ PROSESDƏ ƏHƏMİYYƏTİ

**Orucov Vidadi Ömər oğlu Pedaqogika elmlər doktoru,
Professor Rzayeva Günay Abas qızı magistrant**
Lənkəran Dövlət Universiteti

XÜLASƏ

Təqdim etdiyim işin məqsədi ümumtəhsil məktəblərində şagird perspektivlərinin monitorinqinin əhəmiyyətini aşkara çıxarmaq, onların gələcək imkanlarının üzə çıxarılmasının vasitə və yollarını göstərməkdir.

Elmi-texniki tərəqqi əsri kimi xarakterizə olunan XX əsrin sonlarında müxtəlif tipli təhsil ocaqlarında şagirdlərin gələcək imkanlarının, təfəkkür fəaliyyətinin hər vasitə ilə genişlənməsinə böyük əhəmiyyət verilmişdir. Təlim prosesində şagirdlərin idrak fəaliyyətini inkişaf etdirmək, onları müstəqil yaradıcılıq fəaliyyəti göstərməyə hazırlamaq, tədqiqatçılıq bacarıqları aşılamaq fənnlərin tədrisi qarşısında duran əsas problemlərdən biridir. Dərs prosesində biliklərin formalaşdırılması zamanı şagirdlərin təfəkkürünün müstəqilliyinə nail olmaq, onları informasiya bolluğu ilə zənginləşdirmək olar. Məktəb-təhsil sistemi yarandığı vaxtdan görkəmli filosoflar, pedaqoqlar təhsilin ilkin mərhələsindən şagirdlərin müstəqil fəaliyyət göstərmələrinə, tədqiqatçılıq qabiliyyətlərinin inkişafına xüsusi fikir verməyi diqqət mərkəzinə gətirmişlər. Antik dövrün dahi yunan filosofları Sokrat, Platon, Aristotel yetirmələrinin idraki inkişafını və bunun əsasını təşkil edən müstəqil düşünmə, sualqoyma, təhliletmə, müqayisə aparma, nəticə çıxarma qabiliyyətlərinin inkişafını vacib hesab etmişlər. Şagirdlərin müvəffəqiyyətlərinin qiymətləndirilməsi də təlim prosesinin səmərəliliyinin artırılmasında mühüm amillərdən biridir. Təhsildə islahatlar, yeniləşmə və dünya təhsil sistemində inteqrasiya təhsil sistemində qiymətləndirməyə yeni yanaşmanı tələb edir. Ulu öndər Heydər Əliyev çıxışlarında dəfələrlə göstərmişdir ki, təhsil hər bir millətin, dövlətin gələcəyidir. Ona görə də dövlətimiz təhsilimizi inkişaf etdirməyə, inkişaf etmiş ölkələrdəki təhsil səviyyəsinə çatdırmağı prioritet sahə elan etdi. 15 iyun 1993-cü ildə ümummillə lider Heydər Əliyevin hakimiyyətə qayıdışı yeni bir dövrün, inkişaf və tərəqqinin əsasını qoydu. Respublikamızda təhsil siyasəti öz ifadəsini 12 noyabr 1995-ci ildə Heydər Əliyevin rəhbərliyi ilə hazırlanmış “Azərbaycan Respublikasının Konstitusiyası”nın 42-ci maddəsində tapdı. 15 iyun 1999-cu ildə “Azərbaycan Respublikasının təhsil sahəsində İslahat Proqramı” qəbul olundu. Təsdiq olunmuş “Azərbaycan Respublikasının təhsil sahəsində İslahat Proqramı”nda başlıca istiqamətlərdən biri tədris proqramlarının, təhsilin məzmunu və metodikasının

yeniləşdirilməsi nəzərdə tutulmuşdur. Ümummilli lider Heydər Əliyevin rəhbərliyi ilə yazılmış “Azərbaycan Respublikasında təhsil sahəsində İslahat Proqramı” təhsil siyasətinin istiqamətini göstərən rəsmi sənəd kimi qəbul edildi. Bu sənəddə göstərilən təhsillə bağlı prinsiplər elə təhsil siyasətinin mahiyyətini özündə əks etdirir: təhsilin humanistləşdirilməsi, demokratikləşdirilməsi, diferensiallaşdırılması, fərdiləşdirilməsi, humanitarlaşdırılması, inteqrasiya və s.bu prinsiplərdəndir. Azərbaycan Respublikasının Nazirlər kabinetinin 30.10.2006-cı il 233 sayılı qərarı ilə təsdiq olunmuş Ümumtəhsil Konsepsiyasında (Milli Kurikulum) qiymətləndirmə aşağıdakı kimi göstərilmişdir:

-Şagird nailiyyətlərinin qiymətləndirilməsi təhsilin keyfiyyəti və inkişafı haqqında müvafiq məlumatların toplanması və onların təhlili ilə müşayiət olunur.

-Toplanmış məlumatlar bir qayda olaraq şagirdlərin təlimə münasibətlərini ölkədə təhsil siyasətinin qurulması və gələcək inkişaf perspektivlərinin müəyyənləşdirilməsi üçün etibarlı mənbə hesab olunur.

-Şagird nailiyyətlərinin qiymətləndirilməsi məqsədəuyğunluq, qarşılıqlı dəyərləndirmə, müvafiqlik və etibarlılıq, inkişafyönümlülük, şəffaflıq və qarşılıqlı əməkdaşlıq prinsipinə əsaslanır.

-Kurikulum üzrə qiymətləndirmə şagirdin təlim nəticələrinin müvafiq məzmun standartlarına uyğunluğunu müəyyənləşdirmək məqsədi ilə aparılır.

Göründüyü kimi təhsildə qiymətləndirmə sistemi pedaqoji prosesin təkmilləşdirilməsi üçün tələb olunan tədbirlərin görülməsi məqsədini daşmalıdır. Çünki qiymətləndirmənin düzgün təşkili və qiymətləndirmə aparılarkən məqsədin aydın olması təhsilin keyfiyyətinin yüksəldilməsində və şagird perspektivlərinin artırılmasında mühüm rol oynayır. Ona görə də ümumtəhsil məktəblərində elmi, pedaqoji və psixoloji cəhətdən əsaslandırılmış monitoring və qiymətləndirmənin aparılması təhsil prosesinin keyfiyyətinin yüksəldilməsinin ən mühüm şərtlərindən biridir.

EXPLORING BIOACTIVE COMPOUNDS IN OLIVE POMACE: IMPLICATIONS FOR HUMAN HEALTH

GUERBOUB Lynda
SOUFI Ouahiba
OULDSAADI Linda

Laboratoire de Mathématiques, Biophysique, Biochimie et Scientométrie, Faculté des Sciences de la Nature et de la Vie, Université de Bejaia, Bejaia 06000, Algeria

ABSTRACT

Olive pomace, often overlooked in the olive oil extraction process, harbors a plethora of bioactive compounds with promising health properties. This seminar aims to delve into these compounds and analyze their potential impact on health promotion.

We will first address the chemical composition of olive pomace, highlighting polyphenols, tocopherols, sterols, and other compounds with recognized antioxidant properties. Subsequently, we will review recent scientific studies suggesting links between the consumption of these bioactive compounds and various health benefits, including the reduction of cardiovascular diseases, support for the immune system, and even anti-inflammatory properties.

We will also discuss potential applications of olive pomace as a source of active principles in the food and pharmaceutical industries, paving the way for new perspectives in the field of nutraceuticals

This seminar provides a unique opportunity to explore the fascinating possibilities offered by bioactive compounds in olive pomace, underscoring their significance in promoting a healthy and balanced life.

Keywords: olive pomace ; bioactive compounds ; polyphenols; health benefits; chemical composition ; extraction process

OPTIMIZATION OF THE EXTRACTION OF BIOACTIVE COMPOUNDS FROM PLUM BY-PRODUCTS

KANTAOUI Aicha

Laboratory of Biomathematics, Biophysics, Biochemistry and Scientometry (L3BS), Faculty of Natural and Life Sciences, University of Bejaia, 06000, Bejaia, Algeria

Pr. BOUDRIES Hafid

Laboratory of Biomathematics, Biophysics, Biochemistry and Scientometry (L3BS), Faculty of Natural and Life Sciences, University of Bejaia, 06000, Bejaia, Algeria

Dr LARICHE Nesrine

laboratory of molecular toxicology, Faculty of Natural and Life Sciences, University of jijel, 18000, jijel, Algeria

ABSTRACT

Optimization of the extraction of bioactive substances from plum by-products is a research field aimed at maximizing the efficiency of extracting beneficial compounds from plum by-products, such as the skin, seeds, and pulp after plum processing into finished products like juices, jams, or dried products.

Plum by-products contain a variety of bioactive substances, including antioxidants, phenolic compounds, dietary fibers, and vitamins. These compounds are recognized for their health benefits, including their ability to combat oxidative stress, reduce inflammation, and prevent certain chronic diseases.

The optimization of extracting these bioactive substances involves several aspects. Firstly, selecting the most appropriate extraction method is important, such as solvent extraction, ultrasound-assisted extraction, or pressure extraction. Each method has advantages and disadvantages in terms of efficiency and cost.

Next, extraction conditions need to be optimized, including temperature, extraction time, solvent-to-material ratio, and pH. These parameters can influence the quantity and quality of the extracted substances.

Furthermore, pre-treatment techniques can be employed to enhance extraction, such as grinding, drying, or enzymatic treatment of plum by-products prior to extraction.

Lastly, the use of advanced analytical techniques, such as high-performance liquid chromatography (HPLC) or mass spectrometry, allows for the quantification and identification of specific bioactive substances present in the obtained extracts.

The optimization of the extraction of bioactive substances from plum by-products is gaining increasing interest due to its potential implications in the valorization of food waste, production of functional ingredients, and exploration of new natural sources of health-beneficial

Key words: plum by-products, antioxidants, optimization, valorization , phenolic compounds

COMPARATIVE EVALUATION OF GUT TOXICITY INDUCED BY LINCOMYCIN AND TETRACYCLINE IN BROILER CHICKS

Usman Haider

Institute of Physiology and Pharmacology Faculty of Veterinary Science University of Agriculture
Faisalabad, Pakistan

Wafa Majeed

Institute of Physiology University of Agriculture Faisalabad, Pakistan

Bilal Aslam

Institute of Physiology and Pharmacology Faculty of Veterinary Science University of Agriculture
Faisalabad, Pakistan

Muhammad Naeem Faisal

Institute of Physiology and Pharmacology Faculty of Veterinary Science University of Agriculture
Faisalabad, Pakistan

ABSTRACT

Antimicrobial agents are the most valuable means available for treating bacterial infections. Lincomycin and tetracycline are common brands having antibacterial activity. It is considered to be a cost-effective drug because of its low cost, good activity against pathogenic anaerobic bacteria, and favorable pharmacokinetics and pharmacodynamics. Lincomycin and tetracycline are still the criterion standard for therapy of anaerobic infections, especially in gut infections. Antibiotics in animal feed as growth promoters are primary sources of antibiotic resistance and stress factor for gut epithelium. Current studies elaborate on the advances in understanding toxicity induced by lincomycin and tetracycline on a mucosal layer of the gut of a broiler. Day-old birds were taken and divided into three groups having three biological replicates in each treatment group (6 chicks/replicate). The first group was a control group that received a normal diet, the second group received the normal diet with growth promoter (lincomycin), and the third group was fed with a routine diet and tetracycline. Birds were slaughtered at the end of the study period (36 days). Parameters including physical parameters, immune titer (Newcastle and Infectious Bursal disease), histopathological examination of the gut, and hematological parameters were studied. On a weekly basis, the body weights of birds were taken. At the same time, feed intake (g) and feed conversion ratio was measured accordingly. For hematological and histopathological analysis, blood and tissue samples were taken on the 28th and 36th day of the trial. Results of this experiment showed that supplementing the broiler feed with 6.25g/500g of lincomycin and tetracycline improved the body weight gain and feed conversion ratio (FCR) of broilers at the finisher phase ($P < 0.05$). In conclusion, the results of this study showed that the addition of tetracycline increases immune titer against ND and IBD diseases as compared to control and lincomycin-treated groups. Statistically, data was analyzed through

analysis of variance and the significance of the result was determined through Duncan's Multiple Range test

Keywords: lincomycin, antibacterial, antibiotic resistance, tetracycline

PRELIMINARY INVESTIGATION OF AIRBORNE MICROBES IN KODAIKANAL- A PLACE OF TOURIST IMPORTANCE

Vardhana Janakiraman

*Department of Biotechnology, School of Life Sciences, Vels Institute of Science, Technology and
Advanced Studies, Pallavaram, Chennai- 600117, Tamilnadu, India*

Bhuvanewari. S

Bharathi Women's College, Broadway, Chennai-600008, Tamilnadu, India

N.K. Udaya Prakash

*Department of Biotechnology, School of Life Sciences, Vels Institute of Science, Technology and
Advanced Studies, Pallavaram, Chennai- 600117, Tamilnadu, India*

ABSTRACT

Bioaerosols, comprising bacteria, fungi, and viruses associated with atmospheric particulate matters, contributes up to 25%. They have an impact on human as well as agriculture depending upon their composition as allergen, pathogen and toxigen. Kodaikanal is a place of tourist importance in the state of Tamil Nadu, where more than 10 million people visit the place in a year. Thus, to monitor the presence of airborne microbes the present study is conducted. Kodaikanal, is a small hilly town located in Palani hills of Dindigul district in the state of Tamil Nadu, India which is also called as Princess of hills in South India due to its climatic factors. Kodaikanal, the town is situated at an altitude of 2,225 meters (7,300 feet). The air samples from 8 different locations of Kodaikanal were investigated for the presence of microbes using an impinger. The samples collected were investigated for the presence of total fungi. The Colony forming units for fungi it was 63 to 1288/m³ of air. The fungal species recorded were classified under different genera which includes, *Aspergillus*, *Penicillium*, *Cladosporium*, *Aureobasidium*, *Curvalaria*, *Alternaria*, *Rhizopus*, *Trichoderma*, *Candida*, *Paecilomyces*, and few Non-Sporulating Colonies. The average colony forming units per cubic meter for each species and their respective percent contributions to the total species recorded will be discussed in detail. The study is of first of its kind from Kodaikanal and recommends elaborative study on this area.

Keywords: Airborne microbes; Bioaerosols; Kodaikanal; Microbial diversity; Portable air sampler; Glass Impinger, Colony forming units.

INTRODUCTION

Bioaerosols, encompassing bacteria, fungi, and viruses associated with atmospheric particulate matter, constitute a notable portion of atmospheric aerosols, contributing up to 25% [1]. The

presence of chemical pollutants in airborne particulate matter is a recognized contributor to adverse human health effects, particularly respiratory illnesses. In recent years, airborne microorganisms embedded in atmospheric particles have gained increasing attention due to their demonstrated impact on the atmospheric environment and potential consequences for human health, agricultural productivity, and ecosystem stability [2,3,4,5,6]. The microbial community within bioaerosols now includes numerous pathogens, raising concerns about severe health issues such as asthma, respiratory infections, skin and wound infections, acne, and allergic reactions [7,8,9].

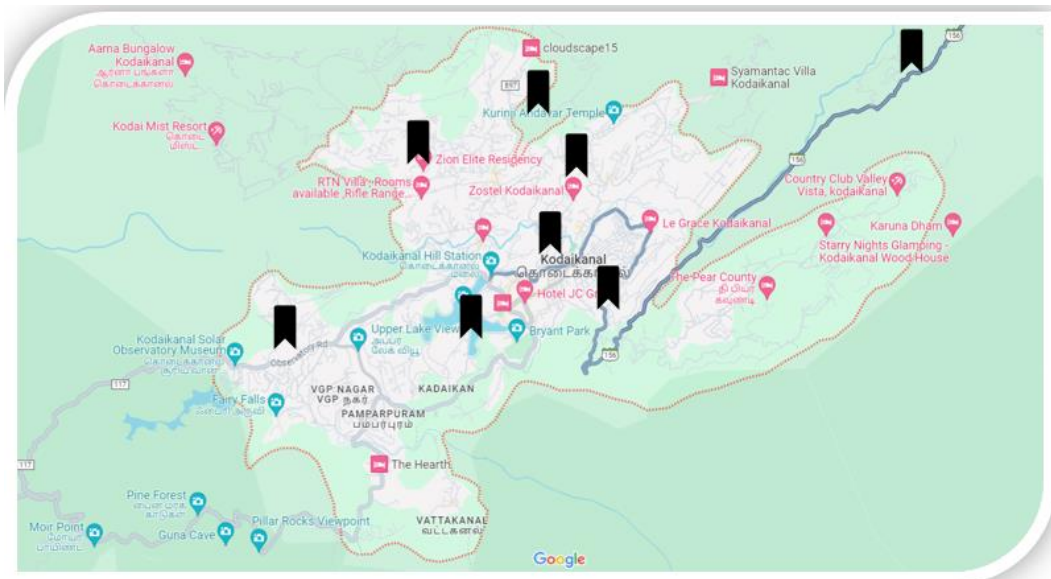
In response to these concerns, a preliminary research study was conducted to monitor the presence of airborne microbes in Kodaikanal, a significant tourist destination in the state of Tamil Nadu, India. Nestled in the Palani hills of Dindigul district, Kodaikanal is renowned as the "Princess of Hills" in South India due to its favorable climatic factors. Situated at an altitude of 2,225 meters (7,300 feet), this small hilly town attracts more than 10 million visitors annually. It's noteworthy to mention that a previous study was conducted in Nadugani forest of the Western Ghats [10], and in continuation of that, this research was carried out in Kodaikanal, providing valuable insights into the regional microbial ecology and contributing to the broader understanding of airborne microorganisms in different ecosystems.

Materials and Methods

Sampling site

The study was conducted at Kodaikanal, Dindigul District of Tamil Nadu, India. The air sample was collected from various places and were analysed for the presence of fungal types. A total of eight different locations, all above 2000 meters altitude were considered for sample collection . The sites include Villpatti (1890m), Obervatory road (2245m), Lake Road (2087m), Bazaar Road (2099m), Naidupuram (2122 m), Kurinji Aandavar Temple(2089m) Kodaikanal city road (2036m), and Kodaikanal ghat road (1068m) (Figure 1)

Figure 1: Map of Sample collecting site



Air Sampling

The air is monitored in 8 different locations using an Impinger containing 10 ml of sterile distilled water which is connected to a battery-operated vacuum inlet pump (Figure 2). The air is sampled for 10 minutes with the suction rate of 5L/ ml in each location.

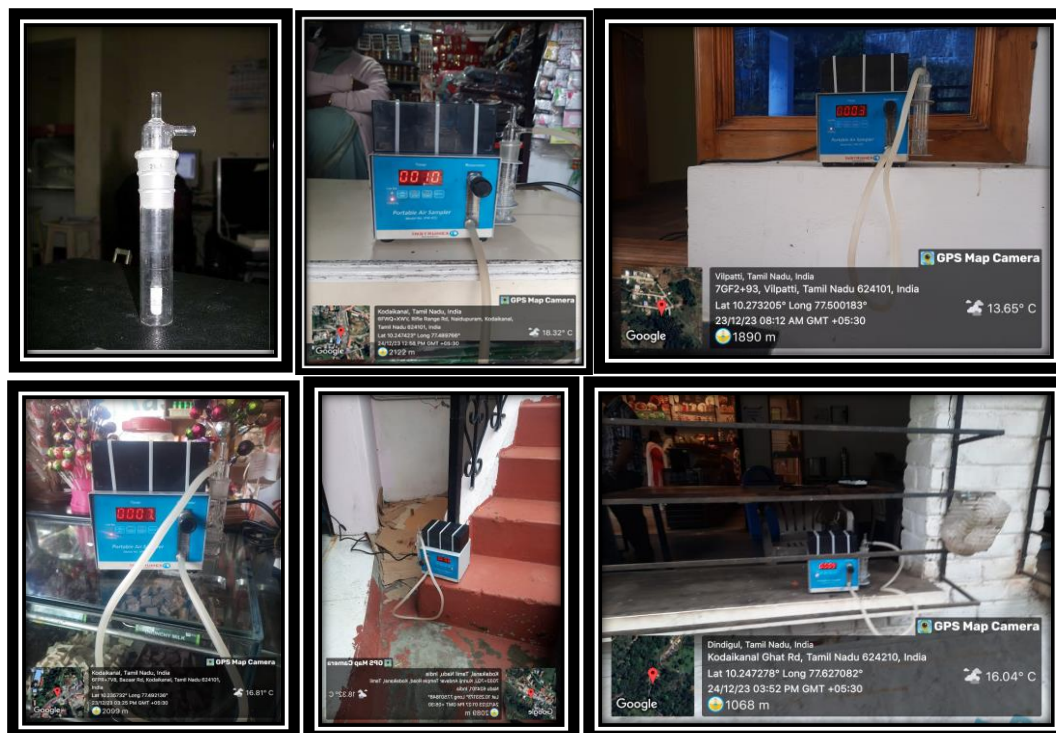


Figure 2: Glass impinger along with air sampler used for sample collection at various sites

Isolation and Identification

The sample was plated in petri dishes containing Potato Dextrose Agar for the growth of fungus. The sample inoculated petri plates were incubated in room temperature at $28 \pm 2^\circ \text{C}$ for the isolation of fungi. After incubating, the colonies were counted and identified and sub cultured for further studies. The fungi were identified with the help of standard text books and monographs. [11-15]

Presentation of Data

The colonies of individual species are converted to number/m³ of air by multiplying with a factor calculated as follows and the counts are expressed as Colony Forming Unit (CFU)/cubic meter of air.

Suction rate of the sampler = 5 L/min

Duration of each sampling = 10 mins

Amount of air sampling in 10 min = $5 \times 10 = 50 \text{ L}$

Let the number of colonies recorded X

Thus, the number of colonies recorded/m³ of Air = $1000 \times X / 50$

Conversion Factor = 20

The term percent contribution refers to the contribution of individual species to the total and is calculated as follows.

$$\text{Percent contribution} = \frac{\text{No of CFU/m}^3 \text{ of an individual species}}{\text{Total no of CFU/m}^3 \text{ of all the species}} \times 100$$

Results

A total of 12 Fungal Species belonging to 7 genera, were recorded from 8 different atmospheres of Kodaikanal. Among them 1 belongs to Zygomycota and the remaining belongs to Deuteromycetes. Among the total genera recorded, the genus *Aspergillus* was represented by maximum number of species (4), followed by *Penicillium* (2), *Trichoderma* (2). Other genera that include *Aureobasidium*, *Absidia*, *Cladosporium*, and *Chysonilia* were represented by single species each. The detailed representation of fungal species isolated from different sampling sites was given in table 1.

Table 1: Fungal species isolated form different sampling sites

S.No	Species	1	2	3	4	5	6	7	8	Total CFU	Average	% Contribution
	Zygomycota											
1	<i>Absidia corymbifera</i>	-	-	-	-	3	-	-	-	60	7.5	0.53
	Deuteromycetes											
2	<i>A.niger</i>	-	-	4	20	1	-	-	-	500	62.5	4.42
3	<i>A.flavus</i>	-	-	1	1	1	-	-	-	60	7.5	0.53
4	<i>A. japonicus</i>	-	-	-	-	2	-	-	-	40	5.0	0.35
5	<i>A. flavipes</i>	-	-	-	1	-	-	-	-	20	2.5	0.18
6	<i>Aureobasidium pullulans</i>	-	-	2	-	-	-	-	-	40	5.0	0.35
7	<i>Cladosporium cladosporioides</i>	-	-	-	1	-	-	-	-	20	2.5	0.18
8	<i>Chrysonilia sitophila</i>	-	-	-	-	-	2	-	-	40	5.0	0.35
9	<i>Penicillium Sp 1.,</i>	-	-	-	-	515	-	-	-	10300	1287.5	91.15
10	<i>Penicillium Sp 2.,</i>	-	-	-	-	1	-	-	-	20	2.5	0.18
11	<i>Trichoderma harzianum</i>	-	1	-	-	-	-	1	1	60	7.5	0.53
12	<i>Trichoderma viridae</i>	-	-	-	-	-	-	1	-	20	2.5	0.18
	Non sporulating colony	1	-	-	3	2	-	-	-	120	15.0	1.06

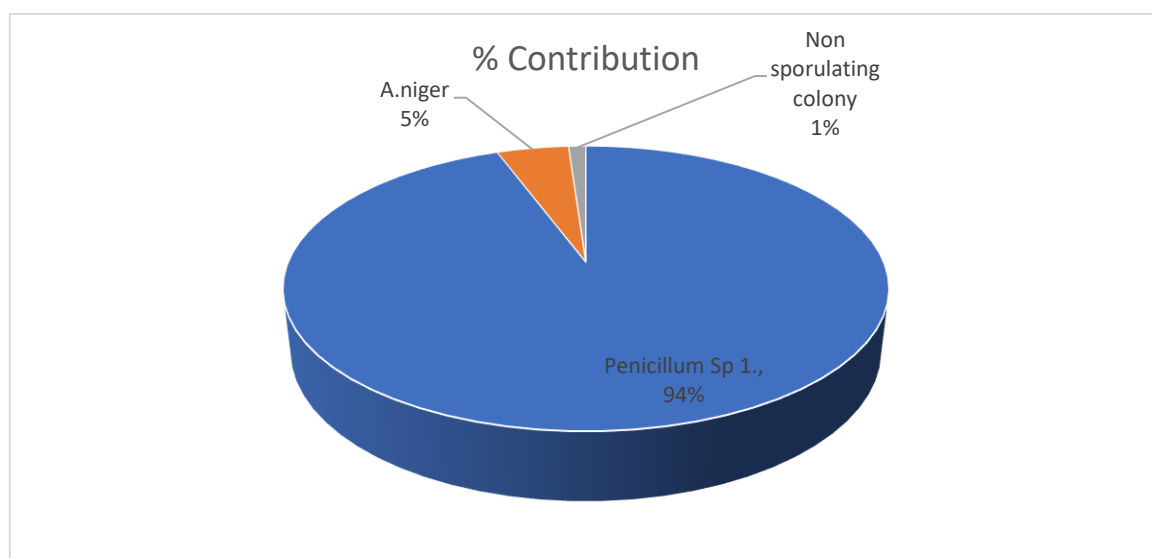
Among the eight different locations sampled from Kodaikanal, the highest number of colony forming units were from Naidupuram (2122m) followed by Bazaar Road (2099m). The total average colony forming units recorded per cubic meter of air from different sampling sites is presented in Table 2.

Table 2: Total Average colony forming units per cubic meter

S.No	Species	Average
1	<i>A.niger</i>	63
2	<i>A.flavus</i>	8
3	<i>A. japonicus</i>	5
4	<i>A. flavipes</i>	3
5	<i>Absidia corymbifera</i>	8
6	<i>Aureobasidium pullulans</i>	5
7	<i>Cladosporium cladosporioides</i>	3
8	<i>Chrysonilia sitophila</i>	5
9	<i>Penicillium Sp 1.,</i>	1288
10	<i>Penicillium Sp 2.,</i>	3
11	<i>Trichoderma harzianum</i>	8
12	<i>Trichoderma viridae</i>	3
	Non sporulating colony	15
	Total	1413

Among the species isolated, *Penicillium Sp.*, was found to be dominant with a percentage of 91.15%. this was followed by *Aspergillus niger* with a percent contribution of 5%. The other significant contributors to the environment are few Non sporulating Fungi, *Aspergillus flavus*, *Absidia corymbifera*, *Trichoderma harzianum*, and others. The percent contribution of the highest prevalent species is given in Figure 3.

Figure 3: Percentage contribution of Highest prevalent Species



Discussion

The preliminary research conducted in Kodaikanal aimed to assess the presence and diversity of airborne microbes, particularly focusing on fungal types due to their potential impact on human health and environmental considerations. The findings reveal a diverse microbial community, with notable contributions from various fungal species. The study identified a total of 12 fungal species across 8 different locations in Kodaikanal, representing diverse genera. The predominance of the *Aspergillus* genus, particularly *Aspergillus niger*, with four identified species, and the presence of *Penicillium* and *Trichoderma*, reflects the richness of the fungal community. These findings align with existing literature on atmospheric fungal communities and contribute valuable data to the understanding of regional biodiversity [16].

Quantitative analysis revealed intriguing patterns in fungal abundance. *Penicillium* Sp. 1 emerged as the dominant species, constituting a remarkable 91.15% of the total Colony Forming Units (CFUs). This dominance prompts further exploration into the ecological roles and potential health implications associated with this prevalent species. A study revealed that *Penicillium* is the major cause of Ashtma in humans. [17]. The presence of *Cladosporium cladosporioides* as the dominant fungal species of outdoor is a saprophytic fungi which was reported in previous studies [17,18].

Aspergillus niger, the second most prevalent species, also demands attention due to its known pathogenicity. It was reported to cause otomycosis which mainly affects the hearing ability of humans. Other *Apergillus* sp., acts as a potential pathogen and toxigen [16] emphasizing the need for considering health risks associated with these identified species.

Limitations

Limitations of this study include limited sampling duration and location.

Conclusion

In conclusion, this manuscript provides valuable insights into the fungal ecology of the atmospheric environment in Kodaikanal. Emphasizing the need for further research to elucidate the ecological roles and potential health impacts of dominant fungal species, the study

significantly contributes to our understanding of airborne microbial communities. This report marks the first of its kind, paving the way for future investigations in this critical field.

Conflict of Interest: The authors declare that there is no conflict of interest.

References

- Jaenicke R. Abundance of cellular material and proteins in the atmosphere. *Science*. 2005 Apr 1;308(5718):73.
- Bojar RA, Holland KT. Acne and Propionibacterium acnes. *Clin Dermatol*. 2004;22:375–379.
- Brown JK, Hovmöller MS. Aerial dispersal of pathogens on the global and continental scales and its impact on plant disease. *Science*. 2002 Jul 26;297(5581):537-41.
- Delort AM, Vaïtilingom M, Amato P, Sancelme M, Parazols M, Maillhot G, Laj P, Deguillaume L. A short overview of the microbial population in clouds: Potential roles in atmospheric chemistry and nucleation processes. *Atmos Res*. 2010;98:249–260.
- Hill TC, Moffett BF, Demott PJ, Georgakopoulos DG, Stump WL, Franc GD. Measurement of ice nucleation-active bacteria on plants and in precipitation by quantitative PCR. *Appl Environ Microbiol*. 2014 Feb;80(4):1256-67.
- Xu C, Wei M, Chen J, Wang X, Zhu C, Li J, Zheng L, Sui G, Li W, Wang W, Zhang Q, Mellouki A. Bacterial characterization in ambient submicron particles during severe haze episodes at Ji'nan, China. *Sci Total Environ*. 2017 Feb 15;580:188-196.
- Dijkshoorn L, Nemec A, Seifert H. An increasing threat in hospitals: Multidrug-resistant *Acinetobacter baumannii*. *Nat Rev Microbiol*. 2007;5:939–951.
- Nazaroff WW. Embracing microbes in exposure science. *J Exp Sci Environ Epidemiol*. 2019;29:1–10.
- Lacey J, Crook B. Fungal and actinomycete spores as pollutants of the workplace and occupational allergens. *Ann Occup Hyg*. 1988;32:515–533.
- Udayaprakash NK, Kiran D, Keerthivasan V, Sriraman V, Jagadeesh, Bhuvanewari S. Assessment of Airborne Microbes and their Ecological Significance in Nadungani forest, Nilgiris, India. 2023. *EIACP Newsletter*. 2023;21(1):1-4.
- Ellis MB. *More Dematiaceous Hyphomycetes*. Commonwealth Mycological Institute, Kew, Surrey, England; 1976.
- Raper KB, Fennell DI. *The Genus Aspergillus*. Williams & Wilkins, Baltimore, MD, USA; 1973.
- Onions AHS, Allsopp D, Eggins HOW. *Smith's Introduction to Industrial Mycology*. Arnold, London, England; 1981.
- Udaya Prakash NK. *Basic Mycology*. Oxford and IBH Publishing Co. Pvt. Ltd., New Delhi, India; 2004.
- Baxi SN, Portnoy JM, Larenas-Linnemann D, Phipatanakul W; Environmental Allergens Workgroup. Exposure and Health Effects of Fungi on Humans. *J Allergy Clin Immunol Pract*. 2016 May-Jun;4(3):396-404.
- Bhuvanewari S, Srinivasan, Ahila, Nyayiru Kannaian, Udaya Prakash. Airborne fungi in a Paper Industry in India. *Ankara International Congress on Scientific Research – VII*. 2022;1069-1075.
- Shams-Ghahfarokhi M, Aghaei-Gharehbolagh S, Aslani N, et al. Investigation on distribution of airborne fungi in outdoor environment in Tehran, Iran. *J Environ Health Sci Engineer*. 2014;12:54.
- Mallo AC, Nitiu DS, Gardella Sambeth MC. Airborne fungal spore content in the atmosphere of the city of La Plata, Argentina. *Aerobiologia*. 2011;27:77–84.

REFLECTING ON SOFT SKILLS DEVELOPMENT SESSIONS: UTILIZING REFLECTIVE JOURNALING TO ENHANCE NURSING STUDENTS' SOFT SKILLS

**Azzouzi Widad
Gantare abdellah**

Nursing and Midwifery Unit, Laboratory of Sciences and Health Technologies, Higher Institute of Health Sciences, Hassan First University of Settat, Settat, Morocco

ABSTRACT

Background Nursing education has recognized the importance of soft skills in addressing workplace challenges and is increasingly implementing initiatives to incorporate these skills using innovative learning strategies. However, the execution of tasks or decisions without engaging in thoughtful contemplation is considered lacking in thoroughness or fulfillment. It is important to reflect on soft skills to further enhance their acquisition.

Aim This study aimed to grade and explore reflective journals of nursing students to self-reflect on soft skills acquired through a soft skills development initiative in the nursing curriculum.

Methods A convenience sample of 35 nursing students was recruited from a three-year bachelor's degree program in nursing and midwifery to participate in a soft skills development program. Nursing students were asked to complete a structured journal assignment. The de-identified journals were analyzed using the ATLAS.ti 9 software.

Results Thirty-five structured journals were analyzed, resulting in the identification of five themes: 1) acknowledgment of soft skills importance; 2) soft skills enhancement; 3) the helping relationship; 4) personal development; and 5) dealing with emergencies. The results of grading students' reflective journals showed that a majority of students scored at level 1, with a score of five being the highest level of self-reflection. Only a small percentage reached level 5. The mean grade for the reflective journal ratings was 2, indicating significant variation in the level of student reflection (the standard deviation equals 1.41).

Conclusion

Integrating reflective journaling concurrently with the soft skills initiative during initial training effectively facilitates the development of important soft skills among nursing students in the workplace.

EXPERIENCES OF OXYGEN HOOKAH USERS IN WOMEN IRAN: A PHENOMENOLOGICAL STUDY

Behzad Valizadeh

Head of the National Tobacco Control Secretariat, Ministry of Health and Medical Education

Mehdi Mozafari

Department of law, pardis azad university, Tehran, Iran

Khadije Ezzati- Rastegar

Ph.D Health Education & Health Promotion, Hamadan University of Medical Sciences. Iran

Sevda Mozafari

Graduate student, Department of water engineering, Urmia University, Tehran , Iran

Elahe Ezati

PhD in Health Education & Promotion, Assistant Professor, Asadabad School of Medical Sciences

ABSTRACT

Introduction: In recent years, the prevalence of hookah consumption has increased significantly in the age group above 18, especially among women. Meanwhile, alternative behaviors can reduce the prevalence of hookah consumption. The oxygen hookah, which was invented to replace the traditional hookah, looks similar to the hookah but with different functions. On this device, instead of tobacco and charcoal, a balloon consisting of two gases, oxygen and nitrous oxide, is installed. This study was conducted aiming at investigating the experiences of oxygen hookah users in Tehran in the form of a phenomenological study.

Method and Materials: This phenomenological qualitative study was conducted with the participation of 19 oxygen hookah users in Tehran. . The population studied here included all subjects who had a prior experience of traditional hookah smoking and had quit it to use oxygen hookah (Pakdam). Purposive sampling was performed with the most variety. After recording and taking notes of the interviews, all texts were immediately transcribed in a verbatim manner and entered into MAXQDA10 to be coded.

Findings: The average age of the participants was 32.01 ± 5.41 years. The interviews were conducted and after coding and classification, the 7 conceptual categories and 14 subcategories of "perceived reward (improvement of **mental health and of physical condition**), positive attitude towards the device (attractiveness and neatness of the environment), imaginations(role pattern and acceptability of behavior), behavioral willingness (alternative behavior and curiosity), subjective norms (acceptance of important others and reduction of stigma), perceived

cons (insufficient entertainment, low accessibility and rejection by peers and friends) and enabling factors (cost savings) were extracted from the experiences of the participants.

Conclusion: Considering the increase in the prevalence of hookah use, especially among teenagers and young adults, and the characteristics of this age group in terms of their interestedness in experiencing new entertainment, using this device to replace the traditional hookah can reduce the harm caused by hookah.

Conflict of interest:

All authors have no conflict of interest to declare.

Biography

Elahe Ezati has completed his PhD Health Promotion Hamedan University of Medical Sciences,

postdoctoral studies from Stanford University School of Medicine. She is has published papers in journals about hookah smoking in women and has been serving as an member of Health Education Association.

Presenting author details

Full name: Elahe Ezati

Contact number:989189296695

Twitter account:.....

Linked In account:...

Section:Pervention and control

Category: (Oral presentation)

IMPACT OF CONTINUOUS HEALTH NETWORK MANAGEMENT ON HYPERTENSION AND DYSLIPIDEMIA IN ACS PATIENTS

Zhiyuan Fan

Department of Nursing, The Third People's Hospital of Henan Province, Zhengzhou, 450000, China

Linghan Zhou

Department of Nursing, The Third People's Hospital of Henan Province, Zhengzhou, 450000 China

Meng Li

Department of Nursing, The Third People's Hospital of Henan Province, Zhengzhou, 450000 China

Dongyang Wang

Corresponding author : Dongyang Wang, Ph.D, MPH, RN, Associate Professor, Department of Nursing, The Third People's Hospital of Henan Province, Zhengzhou, 450000, China.

ABSTRACT

Background: The prevalence of dyslipidemia is consistently on the rise each year. Currently, leveraging network information platforms for external continuity management has emerged as a focal point in chronic disease health management. This study aims to investigate the impact of continuous health network management on patients with hypertension and dyslipidemia in acute coronary syndrome (ACS).

Methods: We selected 100 cases of ACS patients with hypertension and dyslipidemia who visited between June 1, 2023, and December 30, 2023. They were randomly allocated into a control group and a study group, each comprising 50 cases. The control group received standard hospital care, while the study group underwent continuous health network management in addition to standard care for 6 months. Post-intervention, we compared blood pressure levels, lipid profiles, and scores on the Hypertension Self-Management Behavior Rating Scale (HPSMBRS) between the two groups.

Results: Following intervention, the study group exhibited significantly lower systolic and diastolic blood pressure levels, as well as lower levels of low-density lipoprotein cholesterol (LDL-C), compared to the control group ($P < 0.01$, $P < 0.05$). Furthermore, the study group demonstrated higher scores across various dimensions of the HPSMBRS compared to the control group, with statistically significant differences ($P < 0.01$).

Conclusion: Implementation of continuous health network management in patients with hypertension and dyslipidemia in ACS leads to improved blood pressure control, enhanced lipid metabolism, and increased self-management capabilities, thus fostering the adoption of healthier behaviors.



Keywords: Hypertension; Dyslipidemia; Acute Coronary Syndrome; Continuity of Care; Health Management

EVALUATION OF MECHANICAL AND MICROSTRUCTURE PROPERTIES OF WC/CU POWDER COMPOSITE

U. Elaiyaran*

Department of Automobile Engineering, Easwari Engineering College, Chennai, India-600089

G.V. Hariharan

Department of Management studies, Sri Sairam Institute of Technology, Chennai, India -600044

C. Jayabalan

Department of Mechanical Engineering, AMET University, Kanathur, India – 603112

J. Paulmar Pushparaj

Department of Mechanical Engineering, Easwari Engineering College, Chennai, India -600089

ABSTRACT

This study investigates the mechanical and microstructural properties of a sintered WC/Cu powder composite developed through the powder metallurgy process. Tungsten carbide (WC) and copper (Cu) powders were meticulously blended in varying proportions to achieve a composite with enhanced mechanical performance. The powder mixture was compacted and sintered under controlled conditions to form a dense and well-consolidated composite material. The mechanical properties such as hardness and compressive strength were systematically evaluated to assess the materials suitability for specific applications. In this study, composites were fabricated with varying weight proportion of WC and Cu powders using powder metallurgy method followed by sintering. Furthermore, the microstructure of the sintered composite was examined using scanning electron microscopy (SEM) techniques to gain insights into the distribution and bonding characteristics of WC and Cu phases. It was revealed that the composite prepared with WC60:Cu40 combination showed improved mechanical properties: hardness of 236 NHN and compressive strength of 1150 MPa. The results provide valuable information on the synergistic effects of the WC/Cu combination and offer insights into the potential applications of the developed composite in engineering and manufacturing industries.

Keywords: Composite material, WC/Cu powder, Powder metallurgy, SEM, compressive strength

Conclusion

- In this research, WC/Cu composite was fabricated using powder metallurgy technique.
- Mechanical properties such as hardness, yield strength and impact strength were evaluated in the prepared composites.
- It was observed from the mechanical behavior that addition of Cu improved mechanical properties.
- The composite prepared with 15 wt.-% of Cu showed improved hardness of 88BHN, yield strength of 178MPa and impact strength of 13J.
- Finally, it was concluded that the addition of Cu improved mechanical properties

Elaiyarasan U

Hall-1, Sholadoye

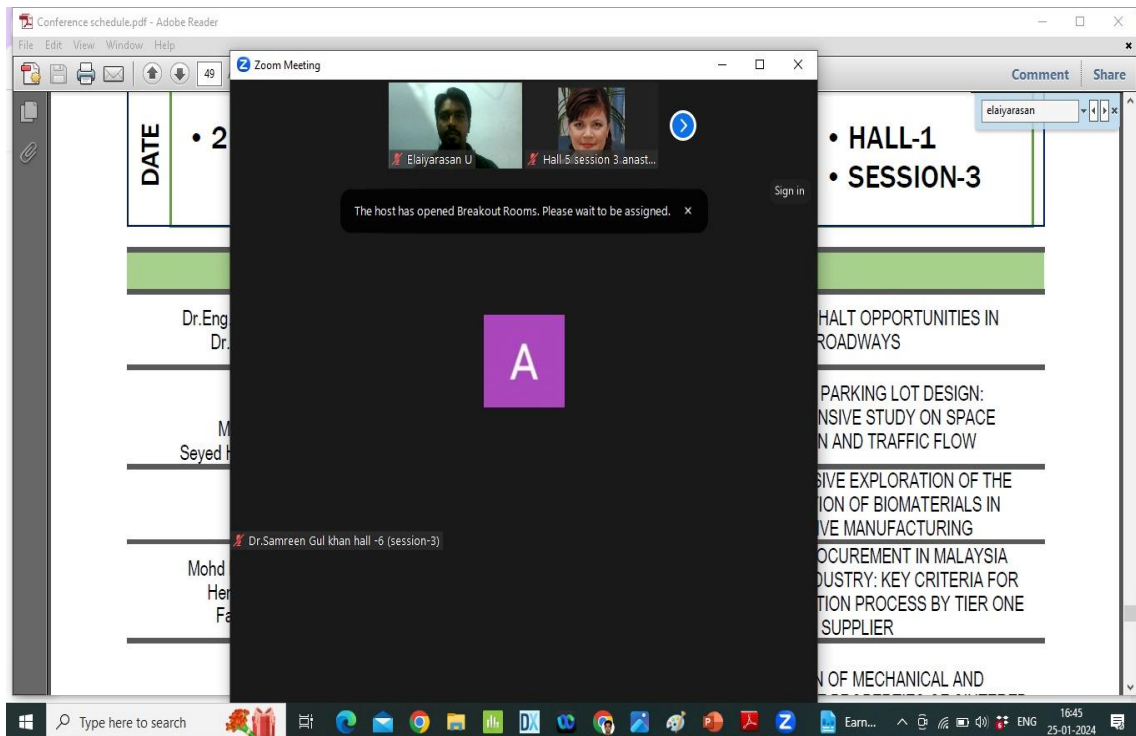
Edan Khan

Subhashish .Dey

Subhashish .Dey

You are screen sharing Remaining: 09:01:58 Stop Share


Mute Stop Video Participants Chat New Share Pause Share Remote Control Apps More




The screenshot shows a Zoom meeting window with a shared PDF document titled "Conference schedule.pdf" in Adobe Reader. The PDF content includes a table with columns for "DATE" and "SESSION" and lists various topics and speakers. A Zoom notification in the center of the meeting window states: "The host has opened Breakout Rooms. Please wait to be assigned." The meeting participants list shows "Elaiyarasan U" and "Hall 5, session 3 anast...". The Windows taskbar at the bottom shows the system tray with the date "25-01-2024" and time "16:45".

DATE	SESSION
• 2	
	• HALL-1
	• SESSION-3
	HALT OPPORTUNITIES IN ROADWAYS
	PARKING LOT DESIGN: INSISIVE STUDY ON SPACE AND TRAFFIC FLOW
	SISIVE EXPLORATION OF THE ION OF BIOMATERIALS IN IVE MANUFACTURING
	OCUREMENT IN MALAYSIA
	DUSTRY: KEY CRITERIA FOR TION PROCESS BY TIER ONE SUPPLIER
	N OF MECHANICAL AND


You are viewing Dr.Eng.Aishah AL Shehhi's screen View Options Sign in Remaining: 09:39:09 View




Research Limitation



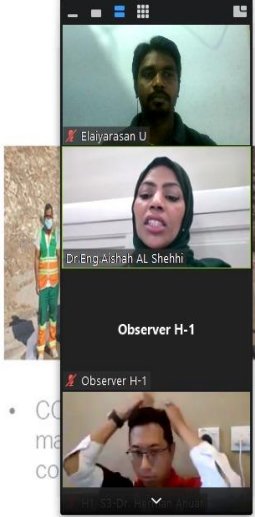
- UAE federal roadways.



- Neighborhoods and main city roadways are excluded.



- validation of RAP process is through IRI.



- CO
ma
CO

Unmute
Stop Video
Participants
Chat
Share Screen
Record
Ask for Help
Reactions
Apps
Whiteboards
Leave Room

I presented paper titled “Evaluation of Mechanical and Microstructure properties of sintered WC/Cu powder composite developed using powder metallurgy” during the conference on 25.01.2024. I did not receive conference certificate and abstract proceedings. I request you to kindly send me certificates and proceedings.

INVESTIGATION OF ICU NURSES' KNOWLEDGE, ATTITUDE, AND PRACTICE REGARDING INTRA-ABDOMINAL PRESSURE MEASUREMENT AND TRAINING NEEDS

Shuhua Yang

Department of Nursing, The Third People's Hospital of Henan Province, Zhengzhou, 450000 China

Hang Yang

Department of Nursing, The Third People's Hospital of Henan Province, Zhengzhou, 450000 China

Meng Li

Department of Nursing, The Third People's Hospital of Henan Province, Zhengzhou, 450000 China

Dongyang Wang*

Dongyang Wang, Ph.D, MPH, RN, Associate Professor, Department of Nursing, The Third People's Hospital of Henan Province, Zhengzhou, 450000, China

ABSTRACT

Objective: This study aims to investigate the current knowledge, attitude, and practice (KAP) of ICU nurses regarding intra-abdominal pressure (IAP) measurement and identify training requirements. The results will serve as a basis for developing targeted training programs to enhance ICU nurses' proficiency in conducting IAP measurements.

Methods: ICU nurses from a tertiary hospital in Zhengzhou City were conveniently sampled for participation. An internally developed questionnaire assessing the KAP of IAP measurement among ICU nurses was administered via an online survey.

Results: A total of 162 valid questionnaires were collected. The overall score on the ICU nurses' KAP questionnaire for IAP measurement was (62.88 ± 7.57) , comprising a knowledge dimension score of (9.41 ± 1.86) , attitude dimension score of (16.00 ± 3.35) , and practice dimension score of (37.36 ± 5.57) . Univariate analysis revealed that age, professional title, position, years of work experience, years of ICU work experience, ICU type, whether IAP measurement was conducted on patients in the past year, whether training on IAP measurement was received in the past year, and the frequency of training participation in the past year were influencing factors on the KAP scores of ICU nurses regarding IAP measurement ($P < 0.05$).

Conclusion: ICU nurses exhibit a positive attitude towards conducting IAP measurements, yet there is scope for improvement in knowledge acquisition and practical application. Nursing managers should enhance and refine training programs on IAP measurement for ICU nurses, bolstering their grasp of the subject matter and fostering enhanced clinical practice.

PRECISION MEDICINE IN DRUG DELIVERY

S.SHOWBHARNIKHAA*

GUIDE: M.K VIJAYALAKSHMI

FACULTY OF PHARMACY, BHARATH INSTITUTE OF HIGHER EDUCATION AND
RESEARCH TAMBARAM CHENNAI 600073

ABSTRACT

Precision medicine is transforming the landscape of drug development and healthcare, ushering in an era of personalized therapies tailored to an individual's unique genetic makeup, environment, and lifestyle. This paradigm shift holds immense promise for improving treatment efficacy, minimizing adverse effects, and addressing unmet medical needs across various diseases. This abstract provides an overview of the key concepts and implications of precision medicine in drug development. Precision medicine's core principle involves identifying biomarkers and genetic variations that underlie diseases, allowing for the development of targeted therapies. Advances in genomics and high-throughput sequencing technologies have enabled the comprehensive profiling of patients, leading to the discovery of novel drug targets and the identification of predictive biomarkers. In clinical trials, precision medicine has revolutionized patient recruitment and trial design, enabling the selection of individuals who are most likely to benefit from specific treatments. This approach has accelerated drug development timelines and increased the likelihood of successful outcomes. Cancer treatment exemplifies the success of precision medicine, with targeted therapies and immunotherapies showing remarkable results. Moreover, precision medicine is expanding its reach beyond cancer, offering hope for patients with rare genetic disorders and chronic diseases. However, the integration of precision medicine into mainstream healthcare presents regulatory, ethical, and economic challenges. Ensuring data privacy, equitable access to personalized therapies, and addressing potential genetic discrimination are pressing concerns. Nevertheless, the continuous evolution of technologies like CRISPR gene editing and gene therapies promises to drive further innovations in precision medicine.

INTRODUCTION:

Precision medicine, often hailed as the future of healthcare, represents a paradigm shift in medical practice. It stands in stark contrast to the traditional "one-size-fits-all" approach to treatment, where a single therapy is applied universally to a broad patient population. Instead, precision medicine recognizes that each individual is unique, with their own genetic,

environmental, and lifestyle factors influencing their health and response to treatment. This emerging field is underpinned by the belief that tailoring medical interventions to the specific characteristics of each patient can lead to more effective, safer, and personalized healthcare. At the heart of precision medicine is the recognition that genetic and genomic variations play a critical role in an individual's susceptibility to diseases and their response to medications. Advances in genomics have unlocked the ability to decode the human genome, allowing us to identify specific genetic markers, mutations, and variations that are linked to various diseases and drug responses[1]. As a result, healthcare practitioners can now develop treatments that are precisely matched to a patient's genetic makeup, significantly enhancing the chances of therapeutic success while minimizing potential adverse effects. This approach is revolutionizing various aspects of healthcare, from early disease detection and diagnosis to drug development and delivery. In this review, we delve into the principles, practices, and applications of precision medicine in drug delivery. By examining the key components of precision medicine, the advanced drug delivery systems that enable it, and the clinical applications that demonstrate its transformative potential, we aim to shed light on the promising future where healthcare is no longer "one-size-fits-all" but is customized to meet the unique needs of each patient, ushering in a new era of medical care[2].

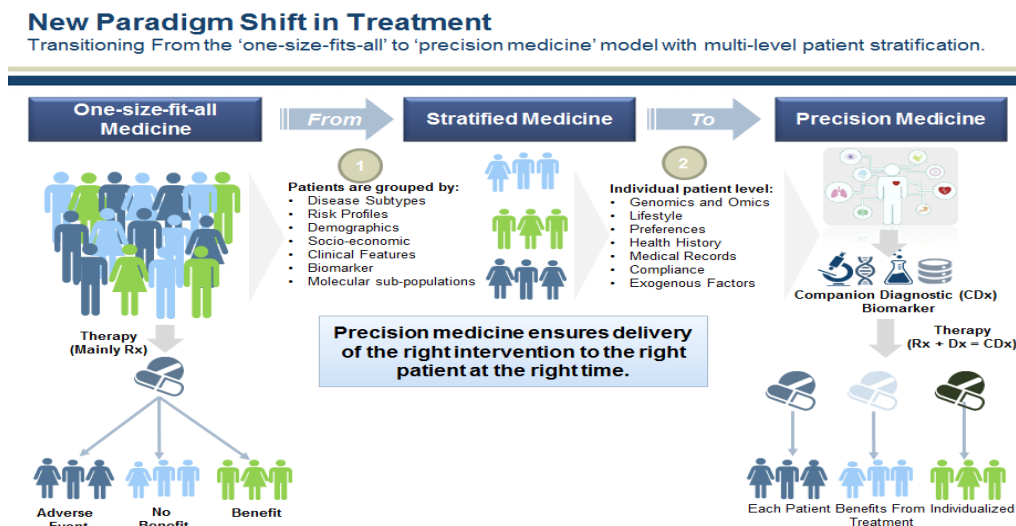


FIG (1) Precision Medicine

PRINCIPLES OF PRECISION MEDICINE

Precision medicine is a revolutionary approach to healthcare that relies on several fundamental principles to tailor medical treatments and interventions to the unique characteristics of

individual patients. These principles are at the core of the precision medicine paradigm, enabling a shift from traditional, population-based medicine to a highly personalized and targeted approach. Below, we explore the key principles that underpin precision medicine:

- **Individual Variability:** Precision medicine recognizes that every patient is unique, with their genetic makeup, lifestyle, environment, and health history influencing their health outcomes. It seeks to account for this individual variability by customizing healthcare strategies.
- **Genetic and Genomic Understanding:** A cornerstone of precision medicine is the profound understanding of genetics and genomics. By analyzing an individual's genetic code, healthcare providers can identify genetic variations and mutations that may predispose them to certain diseases or affect their response to treatments.
- **Biomarkers:** Biomarkers are specific biological markers or indicators that can be measured to provide information about a patient's health or disease. Precision medicine relies on the identification and utilization of biomarkers to diagnose diseases earlier and guide treatment decisions[3].
- **Targeted Therapies:** In precision medicine, treatments are specifically targeted to the underlying molecular and genetic mechanisms of a disease. This allows for therapies that are more effective, with fewer side effects.
- **Patient-Centric Care:** Precision medicine prioritizes patient-centric care, with a focus on shared decision-making. Patients become active participants in their healthcare, with treatment plans tailored to their preferences and needs.
- **Preventive Approach:** Precision medicine extends beyond treatment; it emphasizes preventive measures based on a patient's risk profile and genetic predisposition to diseases, enabling early interventions to mitigate risks.

By adhering to these fundamental principles, precision medicine is poised to revolutionize healthcare, offering the potential for more effective, safer, and patient-tailored treatments. This approach is transforming the landscape of medicine, with the promise of better outcomes and improved quality of life for individuals across the globe.

DRUG DELIVERY SYSTEMS:

In the realm of precision medicine, drug delivery systems play a pivotal role by ensuring that therapeutic agents reach their intended target in a controlled and efficient manner. These systems have undergone significant advancements to enhance the safety, efficacy, and personalization of drug administration[4]. Here, we explore the diverse landscape of drug delivery systems and their crucial role in realizing the promise of precision medicine.

- **Nanoparticles and Nanomedicine:** Nanoparticles, often on the scale of a billionth of a meter, have emerged as versatile drug delivery vehicles. They can encapsulate drugs, protect them from degradation, and release them at the desired site. Lipid-based nanoparticles, polymeric micelles, and dendrimers are just a few examples of nanomedicine platforms that allow for controlled drug release, reducing systemic toxicity, and improving bioavailability.
- **Liposomes and Micelles:** Liposomes are lipid-based vesicles that can encapsulate both hydrophilic and hydrophobic drugs. They mimic the structure of cell membranes and have shown significant promise in delivering a wide range of therapeutics. Micelles, composed of amphiphilic molecules, are similarly effective for drug solubilization and targeted delivery.
- **Targeted Drug Delivery Systems:** Targeted drug delivery involves designing drug carriers that can specifically home in on diseased cells or tissues. Antibody-drug conjugates (ADCs), aptamer-conjugates, and ligand-functionalized nanoparticles are examples of targeted delivery systems. They can bind to specific receptors or antigens overexpressed on the surface of target cells, improving the therapeutic index and reducing off-target effects.
- **Controlled Drug Release:** Controlled-release systems regulate the rate at which a drug is released, ensuring sustained therapeutic levels over time. These systems include drug-eluting stents, transdermal patches, and implantable devices. They are particularly beneficial for conditions requiring long-term treatment.
- **Prodrug and Nano-Prodrug Strategies:** Prodrugs are inactive drug forms that become active upon undergoing chemical transformation within the body. Nano-prodrug approaches combine prodrug strategies with nanotechnology to enable site-specific drug activation, reducing systemic toxicity and improving treatment outcomes.

- **Personalized Drug Delivery Systems:** Advancements in 3D printing and digital health have paved the way for the creation of personalized drug delivery systems. Dosage forms can be customized to meet an individual's specific needs, such as altering drug release rates or combining multiple drugs in a single dose.

These drug delivery systems are pivotal in realizing the principles of precision medicine. They enhance the targeting of therapies to specific patient populations, account for individual variability, and minimize adverse effects[4,5]. As the field of precision medicine continues to evolve, drug delivery systems will remain a critical component, ensuring that patients receive the right treatment, at the right time, and in the right way, ultimately improving the efficacy and safety of healthcare interventions.

PHARMACOGENOMICS AND PHARMACOGENETICS:

Pharmacogenomics and pharmacogenetics are two closely related fields within the realm of precision medicine that focus on understanding the genetic factors influencing an individual's response to drugs. These disciplines have the potential to revolutionize drug therapy by tailoring treatment plans to a patient's unique genetic makeup, enhancing efficacy, minimizing adverse effects, and optimizing medication selection and dosing. Below, we delve into these fields and their significance in personalized medicine.

- **Pharmacogenomic**

Pharmacogenomics is the study of how an individual's entire genome, encompassing all of their genes and their interactions, impacts their response to drugs. It involves the use of large-scale genetic data, such as whole-genome sequencing, to identify genetic variations that affect drug metabolism, pharmacokinetics, and pharmacodynamics. Pharmacogenomic research explores how genes influence drug efficacy, toxicity, and overall treatment outcomes.

- **Pharmacogenetics:**

Pharmacogenetics is a subset of pharmacogenomics that focuses on the influence of specific genes or genetic variations on an individual's response to drugs. It typically involves the study of individual genetic variations, such as single nucleotide polymorphisms (SNPs) in drug-metabolizing enzymes, transporters, or drug targets. Pharmacogenetics is more targeted and can

often be implemented more easily in clinical practice compared to the broader scope of pharmacogenomics[5].

KEY CONCEPTS AND APPLICATIONS:

Genetic Variants: Both fields investigate genetic variants that can lead to altered drug responses. For instance, some individuals may have variations in genes responsible for drug metabolism, affecting how quickly or slowly a drug is broken down in the body.

- **Drug Metabolism:** Genetic variations can significantly influence the activity of drug-metabolizing enzymes, such as the cytochrome P450 (CYP) family. Altered enzyme activity can lead to variations in drug clearance and, consequently, drug efficacy and toxicity.
- **Individualized Drug Selection:** By identifying a patient's genetic profile, healthcare providers can choose the most suitable drug and dosage for that individual. This minimizes the risk of adverse reactions and enhances therapeutic outcomes.
- **Warfarin Dosing:** An illustrative example of pharmacogenetics is the dosing of the anticoagulant drug warfarin. Genetic testing for variations in the CYP2C9 and VKORC1 genes can help determine the optimal initial dose for patients, minimizing the risk of bleeding or clotting complications.
- **Cancer Treatment:** In oncology, understanding the genetic mutations in a patient's tumour cells can guide the selection of targeted therapies. EGFR mutations, for instance, are critical in determining the choice of treatments for lung cancer patients.
- **Adverse Drug Reactions:** Genetic testing can help identify patients at higher risk of adverse drug reactions, allowing for proactive measures or alternative therapies[6].

PERSONALIZED DRUG FORMULATION:

Personalized drug formulation represents a cutting-edge approach in precision medicine, aiming to optimize drug delivery by tailoring pharmaceutical products to the unique needs of individual patients. This innovative strategy acknowledges that patients vary in their genetics, physiology, and disease conditions, and a one-size-fits-all approach may not be the most

effective or safe method for administering medications. Here, we explore the principles and applications of personalized drug formulation and its role in the future of healthcare.

- **3D Printing in Drug Formulation:** 3D printing technology has emerged as a powerful tool in personalized drug formulation. It offers the capability to manufacture patient-specific drug doses with precise control over drug release rates. This technology is especially valuable in cases where conventional dosage forms are inadequate, such as for patients with swallowing difficulties or for paediatrics who may require very low doses.
- **Tailored Drug Combinations:** Combining multiple drugs into a single formulation tailored to an individual's needs is another aspect of personalized drug formulation. This approach can be particularly valuable in complex diseases or conditions where multi-drug therapy is required, allowing for improved patient adherence and reduced potential for drug interactions.
- As precision medicine continues to evolve, personalized drug formulation promises to be a game-changer in healthcare. By crafting medications specifically tailored to an individual's genetic, physiological, and clinical characteristics, this approach optimizes treatment outcomes, minimizes adverse effects, and enhances patient compliance[7]. With advancements in technology and a growing understanding of personalized medicine, the future of drug delivery holds the promise of truly patient-centric care.

DIAGNOSTICS AND BIOMARKERS IN PRECISION MEDICINE

Diagnostics and biomarkers are fundamental components of precision medicine, playing a crucial role in the individualization of healthcare. These tools enable healthcare providers to accurately assess a patient's health, diagnose diseases, and predict treatment responses. In the context of precision medicine, diagnostics and biomarkers are at the forefront of tailoring medical interventions to the specific needs of each patient.

Biomarkers in Precision Medicine:

Biomarkers are measurable biological indicators that reflect normal or pathological processes or responses to therapeutic interventions. They can include molecules like proteins, nucleic

acids, metabolites, and even specific cells. In precision medicine, biomarkers provide essential information for patient stratification and treatment decisions.

- **Guiding Treatment Decisions:** Biomarkers help identify the most appropriate treatment for a patient. In oncology, for instance, tumour biomarkers can determine whether targeted therapy or immunotherapy is more suitable, potentially leading to more effective and less toxic treatments.
- **Predicting Treatment Responses:** Biomarkers can predict how an individual will respond to a particular treatment. In cardiology, the measurement of cardiac biomarkers, like troponins, can help predict the likelihood of adverse cardiovascular events and guide treatment decisions.
- **Personalized Medicine in Infectious Diseases:** The field of infectious diseases leverages biomarkers to customize treatment plans. For instance, in HIV treatment, viral load measurements and genotypic assays are used to determine the most effective antiretroviral therapies for each patient.
- **Liquid Biopsies:** Liquid biopsies involve the analysis of biomarkers in bodily fluids, such as blood or urine, to diagnose and monitor diseases. They are especially promising in oncology, offering non-invasive alternatives to traditional tissue biopsies[8].
- **Challenges and Future Directions:** While the potential of biomarkers in precision medicine is immense, challenges include standardization, data interpretation, and the need for large, diverse datasets. Additionally, ethical and privacy concerns related to the collection and use of genetic and health data must be addressed. The future of diagnostics and biomarkers in precision medicine will likely see the development of more sophisticated, multiplexed biomarker panels, further improving our ability to predict, diagnose, and treat a wide range of diseases with unprecedented precision.

KEY ASPECTS OF PATIENT PROFILING AND DATA ANALYTICS

- **Data Sources:** Patient profiling leverages diverse sources of data, including electronic health records (EHRs), genetic information, imaging data, wearable device data, and patient-reported outcomes. Integrating these data types offers a comprehensive view of a patient's health.

- **Genomic Profiling:** Genetic data, such as DNA sequencing, plays a central role in patient profiling. It enables the identification of genetic variants that may influence disease susceptibility and drug responses.
- **Clinical and Medical Data:** Electronic health records provide valuable clinical and medical data, including patient history, diagnostic tests, and treatment outcomes. This information is essential for understanding a patient's healthcare journey[9].
- **Data Integration:** Effective patient profiling involves integrating data from multiple sources to build a holistic patient profile. This approach is often facilitated by electronic health record systems and data analytics platforms.

APPLICATIONS OF DATA ANALYTICS IN PRECISION MEDICINES

- **Risk Assessment:** Data analytics can be employed to assess a patient's risk of developing specific diseases, such as cardiovascular conditions or diabetes, based on genetic, lifestyle, and clinical data.
- **Treatment Selection:** Data analytics can aid in selecting the most appropriate treatment options by analyzing a patient's genetic profile and historical response to therapies. This is particularly relevant in oncology and pharmacogenomics.
- **Personalized Medicine Plans:** Data analytics are used to create personalized treatment plans that consider a patient's unique characteristics, such as age, genetics, comorbidities, and lifestyle. These plans optimize therapeutic efficacy and safety.
- **Early Disease Detection:** Advanced analytics can identify subtle deviations from normal health parameters, enabling early disease detection and intervention, particularly in conditions like sepsis, cancer, or neurodegenerative diseases.
- **Predictive Modelling:** Predictive modelling and machine learning techniques can forecast patient outcomes, adverse events, or disease progression. This information informs treatment decisions and care plans.

CHALLENGES AND FUTURE DIRECTIONS

Challenges in patient profiling and data analytics include data privacy concerns, interoperability of health systems, and the need for standardized data formats. Future directions in the field involve the development of more sophisticated data analytics tools, artificial intelligence applications, and the integration of emerging data sources such as microbiome data. As

precision medicine continues to evolve, the integration of patient profiling and data analytics holds the promise of delivering patient-centred care by harnessing the full potential of data to inform healthcare decisions[10].

CLINICAL APPLICATIONS OF PRECISION MEDICINE

Precision medicine is transforming the landscape of healthcare by applying the principles of individualized care to various clinical fields. The integration of genetic, genomic, and personalized approaches in clinical practice holds immense promise for optimizing treatment outcomes, enhancing patient care, and minimizing adverse effects. Here, we explore some of the prominent clinical applications of precision medicine.

- **Oncology: Tumour Profiling:** In oncology, precision medicine is perhaps most advanced. Tumour profiling involves genetic analysis of a patient's cancer cells to identify specific mutations or alterations. This information guides the selection of targeted therapies, immunotherapies, and clinical trial enrolment. **Liquid Biopsies:** Non-invasive liquid biopsies that analyse circulating tumour DNA and other biomarkers in blood are increasingly used for early cancer detection and monitoring treatment responses.
- **Cardiology: Pharmacogenomics in Antiplatelet Therapy:** Genetic testing is utilized to determine the most effective antiplatelet drugs, such as clopidogrel, for patients undergoing percutaneous coronary intervention. **Risk Stratification:** Genetic and lifestyle factors are combined to assess an individual's risk of cardiovascular diseases, enabling early preventive interventions.
- **Infectious Diseases: HIV Treatment:** Precision medicine in HIV involves genotypic and phenotypic resistance testing to guide the selection of antiretroviral therapies tailored to an individual's viral variants. **Antimicrobial Stewardship:** Genomic sequencing is used to identify drug resistance mutations in pathogens, informing antibiotic selection and treatment duration[11].
- **Neurology: Pharmacogenomics in Psychiatry:** Genetic profiling helps determine the most effective psychiatric medications for individual patients, minimizing side effects and optimizing mental health treatment. **Rare Neurological Diseases:** Precision

medicine approaches are critical for diagnosing and treating rare genetic neurological disorders, such as Huntington's disease.

REGULATORY AND ETHICAL CONSIDERATIONS IN PRECISION MEDICINE:

The rapid advancement of precision medicine brings with it a host of regulatory and ethical considerations that must be carefully navigated to ensure the responsible and effective implementation of these innovative approaches to healthcare.

Regulatory Considerations:

- **FDA and Regulatory Agencies:** In the United States, the Food and Drug Administration (FDA) plays a central role in regulating drugs, medical devices, and diagnostics. As precision medicine technologies and therapies evolve, regulatory agencies must adapt to ensure safety and efficacy.
- **Data Security and Privacy:** The collection and utilization of extensive genetic and health data raise concerns about data privacy and security. Compliance with data protection regulations, such as the Health Insurance Portability and Accountability Act (HIPAA) in the U.S., is essential.
- **Diagnostic and Therapeutic Validity:** Ensuring the accuracy and reliability of diagnostic tests and therapeutic interventions is paramount. Regulatory bodies must establish rigorous standards for validation and clinical utility, especially in the case of genetic testing and targeted therapies[12].
- **Lack of Established Guidelines:** Precision medicine often challenges traditional treatment paradigms, as some therapies may not have a broad evidence base. This complicates the development of regulatory guidelines and coverage decisions by insurance providers.

Ethical Considerations:

- **Informed Consent:** Patients must have a clear understanding of the implications of genetic testing and personalized treatments. Informed consent is essential to ensure that individuals are aware of potential findings and risks.

- **Privacy and Confidentiality:** Maintaining the privacy of genetic and health data is crucial. Patients should have control over who has access to their data and how it is used.
- **Genetic Discrimination:** Concerns about genetic discrimination in employment, insurance, and other areas need to be addressed. Laws like the Genetic Information Non-discrimination Act (GINA) in the U.S. aim to protect individuals from such discrimination.
- **Resource Allocation:** Precision medicine can be resource-intensive, raising questions about equitable access. Ensuring that these innovations are accessible to all patients, regardless of socioeconomic status, is an ethical imperative.
- **Return of Results:** Deciding when and how to return genetic or diagnostic results to patients is an ethical challenge[13]. There is a balance to be struck between empowering patients with information and avoiding undue anxiety or confusion.

CHALLENGES AND FUTURE DIRECTIONS IN PRECISION MEDICINE

While precision medicine holds immense promise, several challenges must be overcome to realize its full potential. Looking ahead, there are key areas of focus and innovation that will shape the future of precision medicine.

Challenges:

- **Data Integration and Standardization:** The integration of diverse data sources, including genomics, clinical data, and environmental factors, is challenging due to variations in data formats and standards. Developing interoperable systems and standards is crucial for effective data sharing and analysis.
- **Cost and Access:** Many precision medicine technologies and therapies can be expensive, limiting access for some patients. Ensuring affordability and equitable access is a significant challenge, particularly in healthcare systems with disparities.
- **Clinical Implementation:** Integrating precision medicine into routine clinical practice remains a challenge[14]. Healthcare professionals need education and training to understand and apply precision medicine principles effectively.

- **Genetic Diversity:** Precision medicine is primarily based on genomic data, but many underrepresented populations are not adequately represented in genetic studies. This can lead to disparities in diagnosis and treatment.

Future Directions:

- **AI and Machine Learning:** The application of artificial intelligence (AI) and machine learning is expected to play a significant role in analyzing complex, multidimensional patient data. AI can help identify patterns, predict patient outcomes, and personalize treatment decisions more effectively.
- **Big Data Analytics:** The use of big data analytics will continue to grow, facilitating the integration of diverse datasets for patient profiling and treatment selection. Data analytics tools will become more sophisticated, aiding in predictive modelling and decision support.
- **Multi-Omics Integration:** Beyond genomics, the integration of multiple omics data sources, such as proteomics, metabolomics, and epigenomics, will enhance the depth of patient profiling, allowing for more precise diagnosis and treatment.
- **Digital Health and Wearables:** The use of digital health tools and wearables will expand, providing continuous real-time data on patient health and lifestyle. This data will inform precision medicine strategies and improve monitoring and early detection.
- **Personalized Preventive Medicine:** Precision medicine will increasingly focus on preventive strategies by identifying individuals at risk and tailoring interventions to reduce disease development or progression[15].

CASE STUDIES AND SUCCESS STORIES IN PRECISION MEDICINE

Case studies and success stories provide real-world evidence of the transformative potential of precision medicine. These examples illustrate how tailoring healthcare strategies to individual patients can lead to better outcomes, improved patient care, and even life-changing interventions. Here are a few notable case studies and success stories:

- **Cancer Immunotherapy:** One of the most celebrated success stories in precision medicine is the development of cancer immunotherapy. In cases like that of former U.S. President Jimmy Carter, who was diagnosed with metastatic melanoma, immunotherapy

drugs like pembrolizumab and nivolumab, which target specific immune system checkpoints, have led to remarkable tumour regression and long-term remission in many patients.

- **Cystic Fibrosis (CF):** The CFTR gene mutation is associated with cystic fibrosis, a genetic disorder. The development of the drug ivacaftor exemplifies precision medicine. It targets specific CFTR mutations and has led to improved lung function and quality of life for individuals with those mutations.
- **Breast Cancer: HER2-positive breast cancer** is an aggressive form of the disease. The success story here is Herceptin (trastuzumab), a drug that specifically targets HER2-positive tumours. It has transformed the prognosis of this subtype of breast cancer, offering better survival rates and quality of life.
- **Pharmacogenomics in Psychiatry:** Genetic testing to guide psychiatric medication selection is gaining traction. Success stories abound as patients with depression or bipolar disorder achieve better symptom management with fewer side effects, thanks to personalized treatment[16].

ECONOMIC AND MARKET CONSIDERATIONS IN PRECISION MEDICINE

The adoption and growth of precision medicine have significant economic and market implications, affecting various stakeholders within the healthcare industry and beyond. Understanding these considerations is crucial for realizing the full potential of precision medicine.

Economic Considerations:

- **Cost Savings:** While precision medicine may involve initial costs for genetic testing and personalized treatments, it can lead to cost savings in the long run. By reducing trial-and-error approaches to treatment, avoiding adverse effects, and preventing the progression of diseases, precision medicine can lower overall healthcare costs.
- **Resource Allocation:** The allocation of resources in healthcare will evolve as precision medicine becomes more prevalent[17]. Investment in diagnostic and therapeutic tools, genetic testing infrastructure, and data analytics will be necessary.
- **Pharmaceutical Industry:** Precision medicine challenges the traditional blockbuster drug model. Pharmaceutical companies will need to adapt by developing targeted therapies

and companion diagnostics. This may lead to increased costs and risks, but also potentially higher rewards for successful products.

- **Health Insurance and Payer Models:** Health insurance providers and government payers are adapting to include coverage for genetic testing and targeted therapies. Ensuring equitable access to precision medicine and determining reimbursement policies are ongoing challenges.

Market Considerations:

- **Emerging Biotech and Diagnostics:** The growth of precision medicine has led to the emergence of biotechnology companies focused on developing targeted therapies and diagnostics. This creates opportunities for investment and innovation in these sectors.
- **Personalized Healthcare Services:** With the increasing availability of genetic testing and personalized medicine options, there is potential for new healthcare service models, including telemedicine consultations with genetics experts, direct-to-consumer genetic testing, and personalized health planning services[18].
- **Laboratory and Diagnostic Equipment:** The market for genetic sequencers, diagnostic tools, and related laboratory equipment is expanding as precision medicine requires advanced technologies for genetic testing, biomarker identification, and diagnostic profiling.
- **Health IT and EHR Systems:** The adoption of precision medicine relies on robust health information technology infrastructure. Companies providing electronic health record (EHR) systems and interoperability solutions are crucial for data sharing and integration.
- The economic and market considerations surrounding precision medicine are complex, reflecting the transformative nature of this approach to healthcare. As the field continues to evolve, stakeholders will need to adapt to changing dynamics, invest in relevant technologies, and navigate regulatory and reimbursement challenges to fully harness the potential of precision medicine[19].

Conclusion:

Precision medicine represents a paradigm shift in healthcare, promising to revolutionize the diagnosis, treatment, and prevention of diseases by tailoring medical interventions to the unique

characteristics of individual patients. This personalized approach, informed by genetics, genomics, data analytics, and innovative technologies, has the potential to improve patient outcomes, reduce adverse effects, and enhance the quality of healthcare. As we conclude our exploration of precision medicine, it's essential to reflect on the profound impact and potential it holds for the future of healthcare. The journey of precision medicine begins with patient profiling, where an individual's genetic, genomic, clinical, and lifestyle data is integrated to create a comprehensive healthcare plan. This patient-centric approach allows healthcare providers to make informed decisions, choose the most appropriate therapies, and predict treatment responses, ultimately improving healthcare delivery. While precision medicine has made remarkable strides in fields like oncology, cardiology, and infectious diseases, it faces several challenges. These include data standardization, cost considerations, ethical dilemmas, and equitable access to advanced treatments. Navigating regulatory complexities, ensuring data privacy, and addressing issues like genetic discrimination are key areas of concern. However, the future of precision medicine is promising, with cutting-edge technologies like AI and machine learning, data analytics, and wearables poised to propel the field forward. Precision medicine has already generated numerous success stories, from cancer immunotherapy breakthroughs to the effective management of chronic diseases and rare disorders. These case studies underscore the tangible benefits of tailoring treatments to individuals' unique characteristics. As precision medicine continues to evolve, the economic landscape and market dynamics will transform, offering opportunities for biotech, diagnostics, data analytics, and digital health sectors[20]. The emphasis on cost savings, resource allocation, and personalized healthcare services will shape the healthcare industry of tomorrow.

REFERENCE

- Manzari, M. T., Shamy, Y., Kiguchi, H., Rosen, N., Scaltriti, M., & Heller, D. A. (2021). Targeted drug delivery strategies for precision medicines. *Nature Reviews Materials*, 6(4), 351-370.
- Yang, J., Jia, C., & Yang, J. (2021). Designing nanoparticle-based drug delivery systems for precision medicine. *International Journal of Medical Sciences*, 18(13), 2943.
- Bar-Zeev, M., Livney, Y. D., & Assaraf, Y. G. (2017). Targeted nanomedicine for cancer therapeutics: Towards precision medicine overcoming drug resistance. *Drug Resistance Updates*, 31, 15-30.
- de Jong, B., Barros, E. R., Hoenderop, J. G., & Rigalli, J. P. (2020). Recent advances in extracellular vesicles as drug delivery systems and their potential in precision medicine. *Pharmaceutics*, 12(11), 1006.
- Blau, R., Krivitsky, A., Epshtein, Y., & Satchi-Fainaro, R. (2016). Are nanotheranostics and nanodiagnostics-guided drug delivery stepping stones towards precision medicine? *Drug Resistance Updates*, 27, 39-58.

- Hapuarachchige, S., & Artemov, D. (2020). Theranostic pretargeting drug delivery and imaging platforms in cancer precision medicine. *Frontiers in oncology*, *10*, 1131.
- Yom-Tov, N., Guy, R., & Offen, D. (2022). Extracellular vesicles over adeno-associated viruses: Advantages and limitations as drug delivery platforms in precision medicine. *Advanced drug delivery reviews*, 114535.
- Durán-Lobato, M., Niu, Z., & Alonso, M. J. (2020). Oral delivery of biologics for precision medicine. *Advanced Materials*, *32*(13), 1901935.
- Mitchell, M. J., Billingsley, M. M., Haley, R. M., Wechsler, M. E., Peppas, N. A., & Langer, R. (2021). Engineering precision nanoparticles for drug delivery. *Nature reviews drug discovery*, *20*(2), 101-124.
- Wang, X., Qi, Y., Hu, Z., Jiang, L., Pan, F., Xiang, Z., ... & Lu, W. (2022). Fe₃O₄@ PVP@ DOX magnetic vortex hybrid nanostructures with magnetic-responsive heating and controlled drug delivery functions for precise medicine of cancers. *Advanced Composites and Hybrid Materials*, *5*(3), 1786-1798.
- Chen, W., & Tao, W. (2022). Precise control of the structure of synthetic hydrogel networks for precision medicine applications. *Matter*, *5*(1), 18-19.
- Sun, W., Lee, J., Zhang, S., Benyshek, C., Dokmeci, M. R., & Khademhosseini, A. (2019). Engineering precision medicine. *Advanced Science*, *6*(1), 1801039.
- Ginsburg, G. S., & Phillips, K. A. (2018). Precision medicine: from science to value. *Health affairs*, *37*(5), 694-701.
- Qin, Y., Geng, X., Sun, Y., Zhao, Y., Chai, W., Wang, X., & Wang, P. (2023). Ultrasound nanotheranostics: Toward precision medicine. *Journal of Controlled Release*, *353*, 105-124.
- Wilhelm, J., Wang, Z., Sumer, B. D., & Gao, J. (2020). Exploiting nanoscale cooperativity for precision medicine. *Advanced drug delivery reviews*, *158*, 63-72.
- Garello, F., Svenskaya, Y., Parakhonskiy, B., & Filippi, M. (2023). On the Road to Precision Medicine: Magnetic Systems for Tissue Regeneration, Drug Delivery, Imaging, and Theranostics. *Pharmaceutics*, *15*(7), 1812.
- Shafiee, A. (2020). Design and fabrication of three-dimensional printed scaffolds for cancer precision medicine. *Tissue Engineering Part A*, *26*(5-6), 305-317.
- Kim, M., Kizilbash, S. H., Laramy, J. K., Gampa, G., Parrish, K. E., Sarkaria, J. N., & Elmquist, W. F. (2018). Barriers to effective drug treatment for brain metastases: a multifactorial problem in the delivery of precision medicine. *Pharmaceutical research*, *35*, 1-20.
- Chen, G. T., & Geschwind, D. H. (2022). Challenges and opportunities for precision medicine in neurodevelopmental disorders. *Advanced Drug Delivery Reviews*, 114564.
- Waheed, S., Li, Z., Zhang, F., Chiarini, A., Armato, U., & Wu, J. (2022). Engineering nano-drug biointerface to overcome biological barriers toward precision drug delivery. *Journal of Nanobiotechnology*, *20*(1), 395.

UTILIZATION OF BARLEY CEREAL AS A VALUE ADDED FOOD PRODUCT: A POTENTIAL STRATEGY FOR IMPROVED NUTRITION AND SUSTAINABILITY

Muhammad Armghan Khalid*

Department of Food Science, Government College University Faisalabad, Pakistan

Bushra Niaz

Department of Food Science, Government College University Faisalabad, Pakistan

Farhan Saeed

Department of Food Science, Government College University Faisalabad, Pakistan

Hafiz Muhammad Junaid Saqib

Department of Nutritional Sciences, Government College University Faisalabad, Pakistan

ABSTRACT

Globally, consumers are becoming more conscious of the relationship between nutrition and health. In this context, cereal products that can benefit health are the most significant section of functional foods. Barley (*Hordeum vulgare* L.) is a major cereal crop, ranking fourth globally after wheat, rice, and maize. It is mostly used as animal feed and in beer production. Recently, there has been an increasing interest in utilizing barley for food production. Barley is a rich source of calories, protein, carbohydrate, fiber (β -glucan), and micronutrients like vitamin B and E, zinc, calcium, and magnesium. However, it appears that their role in promoting a healthy lifestyle extends beyond the supply of nutrients; there is plenty of research that suggests that regular intake of barley, especially whole grains, might help in lowering the risk of chronic diseases like diabetes, obesity, coronary heart disease, and colorectal cancer. Barley's excellent cooking and processing attributes make it suitable for a wide range of food applications, like flour milling, whole grain cooking, and malt production. Processing techniques like pearling, malting, milling, and extrusion improve nutrition and sensory qualities of barley based products. Barley incorporation into food products can enhance nutritional quality while also contributing to a more sustainable food supply chain. Conclusively, utilizing barley to make value-added food products offers a promising approach to improving nutrition, enhancing sustainability, and satisfying current consumer needs.

Key words: Barley, food product, nutrition, health, sustainability

PLANT MEDIATED BASED BIOSYNTHESIS AND CHARACTERIZATION OF COPPER OXIDE NANOSIZED PARTICLES FROM *MURRAYA KOENIGII* AND THEIR BIOMEDICAL APPLICATION IN ALBINO RAT

Shivani Yadav*

D.K. Chauhan*

Ruhi Tomar*

Priya*

Priyanka Dayma*

* Immunotoxicology Laboratory, Department of Zoology, Chaudhary Charan Singh University, Meerut

ABSTRACT

Plants can be used in biological, inexpensive, and environmentally friendly nanoparticle production. Plant extract is utilized as a naturally occurring precursor. We used medicinal plant in our research, named *Murraya koenigii* leaves, which are widely accessible and simple to grow. The aqueous extract of *Murraya koenigii* (AE-MK) was used to create CuO nanoparticles (CuO NPs), which were then characterized using various analytical methods. Aqueous extracts of *M. koenigii* were combined in a 1:4 (v/v) ratio with 2 mM of CuSO₄.5H₂O solution, heated to 50°C, followed by washing and drying. Utilising several analytical methods, including scanning electron microscopy (SEM), transmission electron microscopy (TEM), Fourier transform infrared spectroscopy (FTIR), and UV visible spectroscopy, the synthesized CuO NPs were subjected to characterization. Further, the plant extract was given to albino rats to study the histopathological changes. According to the findings, it is reasonable to assume that greenly synthesised CuO NRs will have potential uses in the area of nanomedicine.

Keywords: CuO NPs, Scanning electron microscope: UV Spectrophotometer: *Murraya koenigii*

CORRELATION OF PASSIVE STRUCTURAL RESISTANCE TO BLAST DISEASE SEVERITY IN 10 SWAMP RICE STRAINS

Tunjung Pamekas

Department of Plant Protection, Faculty of Agriculture, University of Bengkulu
Jl. WR Supratman, Kandang Limun, Bengkulu, Indonesia

Usman Kris Joko Suharjo

Department of Agroecotechnology, Faculty of Agriculture, University of Bengkulu
Jl. WR Supratman, Kandang Limun, Bengkulu, Indonesia

dan Sempurna Ginting

Department of Plant Protection, Faculty of Agriculture, University of Bengkulu
Jl. WR Supratman, Kandang Limun, Bengkulu, Indonesia

ABSTRACT

Blast disease in rice plants is an important disease that attacks in the vegetative and generative phases and can reduce production by 50-90%. Planting rice varieties that are resistant to blast disease is one alternative carried out to maintain rice production. The purpose of the study was to evaluate the correlation of passive structural resistance of 10 swamp rice strains to blast disease severity. The research was conducted in December 2022 - April 2023 at the Plant Protection Laboratory and screen house, the University of Bengkulu. The study used 10 rice strains (UBPR 1, UBPR 2, UBPR 3, UBPR 4, UBPR 6, UBPR 7, UBPR 8, UBPR 9, UBPR 10, and UBPR 11 as well as INPARI 32 as a comparison of resistant varieties). The stages of research include rejuvenation of *Pyricularia oryzae*, preparation of rice plant media, rice seeding, planting, inoculation of *P. oryzae*, and observation. The results showed that there was a marked difference in the number of stomata, the length and width of the stomata, the number of trichomes, leaf thickness, and angle of the leaf blades in 11 test swamp rice strains. Stomatal length and width, the number of trichomes and leaf thickness positively correlated with blast disease severity in 11 test swamp rice strains.

Keywords: Blast disease, passive structural resistance, swamp rice strain

HEMATOLOGICAL CHARACTERISTICS OF FIRST-CALF COWS

Ilnura Ibragimovna Fayzullina

Ilya Nikolayevich Medvedev

Russian Biotechnological University, Moscow, Russia

INTRODUCTION

Pregnancy greatly affects the health of young cows, especially before their first calving. This greatly affects hematological parameters, which are a reflection of the oxidant-antioxidant balance, metabolic rate and overall viability.

Purpose: to find out the hematological features of first-calf heifers 2 weeks before calving.

Materials and methods. 22 first-calf heifers were examined. The animals were crossbreds - 50% blood of the Black-and-White breed and 50% blood of the Holstein breed. Inspection and blood sampling was performed from them 2 weeks before calving. The content of formed elements, levels of glucose, total protein, albumin, cholesterol, triglycerides, globulin, non-esterified fatty acids, haptoglobin, malondialdehyde, and total antioxidant capacity were determined in the blood of first-calf heifers using traditional methods. Mathematical processing of the received results is carried out.

Results. First-calf heifers two weeks before calving had all the indicators taken into account at the normal level. The content of total protein in their blood was 68.1 ± 0.92 g/l. The amount of albumin and globulin they also had was optimal. The content of haptoglobin in their blood at the time of observation was 2.3 ± 0.22 mmol/l. The glucose level in the animals was within the normal range, indicating the normal functioning of carbohydrate metabolism. The amount of non-esterified fatty acids in their blood was found to be low, with average levels of cholesterol and triglycerides. The total antioxidant capacity of blood in first-calf heifers was low - 0.66 ± 0.11 mmol/l, which provided a slightly increased content of malondialdehyde in their blood.

The amounts of erythrocytes and hemoglobin in the blood of first-calf heifers were quite high with a high content of total leukocytes, lymphocytes and neutrophils in it. This indicated a very high resistance of their organism against various infections.

Conclusion. For first-calf heifers, 2 weeks before calving, the perfection of metabolic and oxidative processes in their body is characteristic. The optimal level of their hematological parameters shows their high viability and overall resistance to any infectious agents. The found levels of malondialdehyde and antioxidant activity in first-calf heifers confirm their metabolic health and readiness of their body for calving.



ISARC

INTERNATIONAL SCIENCE AND ART RESEARCH

Key words: cattle, blood, heifers, pregnancy, protein, lipids, lipid peroxidation.

PHYSIOLOGICAL FEATURES OF BLOOD PARAMETERS OF STEER COWS OF THE BLACK-AND-BROWN BREED

Ilya Nikolayevich Medvedev

Ilmira Ibragimovna Fayzullina

Russian Biotechnological University, Moscow, Russia

INTRODUCTION

Modern science defines the last three weeks before calving in cattle as physiologically very significant. Interest in this period is due to the fact that cows at this stage of ontogenesis experience a number of quantitative and qualitative changes that have adaptive value.

Purpose: to evaluate the peculiarities of blood parameters in first-calf heifers and recalving cows of black-and-brown breed 3 weeks before calving.

Materials and methods research. In the study, 47 steer cows of black-and-brown breed (body weight 460-650 kg at the age from 2 to 5 years 4 weeks before the expected calving) were taken. The volume of milk yield for the previous lactation was not less than 6000 liters in repeatedly bred cows. We observed first-calf black-and-brown cows (22 heads) and recalving black-and-brown cows (25 heads) 3 weeks before intended calving. The main hematologic parameters were determined in cows by traditional methods of research. Student's t-criterion was calculated, assuming a significance level of $p < 0.05$.

Research results. Three weeks before calving, the recorded parameters differed between the groups of observed animals. In terms of total protein, first-calf heifers were initially 16.4% inferior to recurrently calving cows. Albumin tended to be lower in first-calf cows (4.6%). Recalving cows had higher blood globulin levels before calving (by 34.8%). No significant differences were found between cow groups in glucose levels before calving. The content of non-esterified fatty acids in blood was higher in first-calf heifers by 50.0%. The levels of cholesterol and triglycerides in their blood were inferior to those of second calves by 18.9% and 38.1%, respectively. Erythrocyte and hemoglobin levels in first-calf heifers tended to be inferior to those of older cows by 2.3% and 7.5%, respectively. In first-calf heifers, leukocyte and lymphocyte levels were significantly higher by 15.5% and 28.2%, and neutrophil counts were inferior by 10.7% to values found in recalf cows.

Conclusion. This observation helped to identify changes in the hematologic profile of black and sow cows before calving in first-born and second-born cows. It can be considered that black and sperm heifers have a more pronounced blood reaction at the end of pregnancy. This allows us to consider these features as adaptive simultaneously to pregnancy and to the process of growth being completed in them.



Key words: cows, heifers, pregnancy, blood, adaptation, hematological parameters.

PHYTOCHEMICAL SCREENING AND PIGMENT COMPOSITION OF ALGERIAN CLADODE FLOUR FROM *OPUNTIA FICUS-INDICA*

Benmeziane Farida*

University Department of Agronomic Sciences, Faculty of Sciences of Nature and Life. Chadli Bendjedid University of El-Tarf. BP 73. El Tarf 36000, Algeria
Laboratory of Biomathematics, Biophysics, Biochemistry and Scientometry, Faculty of Sciences of Nature and Life, Bejaia University, Bejaia (06000), Algeria

Larrous Dalila

University Department of Agronomic Sciences, Faculty of Sciences of Nature and Life. Chadli Bendjedid University of El-Tarf. BP 73. El Tarf 36000, Algeria

Djermoune- Arkoub Lynda

Department of Process Engineering, Faculty of Technology, University of Bejaia, Bejaia, Algeria
Laboratory of Biomathematics, Biophysics, Biochemistry and Scientometry, Faculty of Sciences of Nature and Life, Bejaia University, Bejaia (06000), Algeria

Cherifi Achref

Research center in industrial technologies, Additive manufacturing research unit. Industrial Zone 15A, Sétif

ABSTRACT

The present study aimed to investigate the determination of some pigment and to screen the presence of bioactive secondary metabolite on the flour of Algerian cladodes from *Opuntia ficus-indica*. For this, chlorophyll pigments, carotenoids and pheophytins were estimated. Various phytochemical compounds were analyzed for their presence or absence. Results revealed the presence of tanins, mucilages, glucosides, iridoids, and alkaloids, while anthocyanins and reducing compounds were absent. Additionally, the content of chlorophyll pigments, known for its preventive role against cancer, were present in more or less significant concentrations. These findings provide valuable insights into the phytochemical profile and pigment composition of *Opuntia ficus-indica* cladodes flour, which may have implications for various potential applications, including food, pharmaceuticals, and nutraceuticals.

Keywords: *Opuntia ficus-indica*, cladodes, pigment determination, phytochemical screening,

İNGİLİS DİLİNDƏ SƏBƏB BAĞLAYICILARIN İŞLƏNMƏ YERİ

Fətəliyeva Səbinə

Magistrant, Lənkəran Dövlət Univeristeti

Prof.dr.Yeganə Cavadova

XÜLASƏ

Bağlayıcılar iki sözü və iki ayrı cümləni bir-birinə bağlamağa kömək edən və cümlələrə mənə bütünlüyü qazandıran qəliblərə deyilir. Azərbaycan dilində olduğu kimi İngilis dilində də bu istifadə bəzi avantajlar verir. Bağlayıcılardan istifadə etməklə bir- biri ilə əlaqəli iki ayrı cümləni bir-birinə bağlaya bilir, sözləri sıralaya bilir və bir-birindən ayrı iki cümlə arasında bir mənə bütünlüyü yarada bilir. Mənasına və bağlayıcılığına görə bu qəliblər cümlənin əvvəlinə, ortasına və ya hər ikisinə birdənəlavə edilə bilir. İngilis dilində ‘Conjunctions’ olaraq adlandırılan bağlayıcılar istifadə formasına görə müəyyən siniflərə ayrılır.

Bağlayıcılar sözlər,söz birləşmələri və cümlələr arasında əlaqə yaradan ikinci dərəcəli nitq hissəsidir. Bağlayıcıların dörd kateqoriyası var:

Coordinating conjunctions (or, and, but)

Correlative conjunctions (and/or, not only/but also) Subordinating conjunctions (since, because, when) Conjunctive adverbs (however, therefore)

Causal conjunctions -səbəb bağlayıcıları.

Səbəb bağlayıcıları hadisələrin necə işlədiyini və ya nə üçün baş verdiyini izah etmək üçün istifadə olunur.

I got soaking wet in the rain because I didn't have my umbrella with me. I didn't have breakfast today, so I am really hungry now!

Səbəb bağlayıcıları cümlənin ortasında işlənə bilər.

My watch is not broken even though I dropped it onto the floor.

I don't enjoy TV, so I have chosen to read tonight.

And: və – paralellik bildirən bağlayıcıdır.

And, Azərbaycan dilindəki kimi siyahının son maddəsindən əvvəl istifadə edilir. Bu istifadədə and-dan əvvəl vergülün istifadəsi istəyə bağlıdır.

the sky was cloudless and the sun was shining brightly

But: amma, ancaq, fəqət – ziddiyyət bildirən bağlayıcıdır

But, fəqət, amma mənasında işləndiyi zaman ziddiyyət bildirir, yəni ilk ifadəyə nəzərən gözlənilməz bir şeyi ifadə edərkən istifadə edilir. Əksər hallardan but-dan əvvəl vergül qoyulur. We're making good progress, but we've still got a long way to go.

So, bu səbəbdən, buna görə mənasında və nəticə bitdirmək üçün istifadə edilir.

For: ədat olaraq "üçün", bağlayıcı olaraq isə iki cümlə arasında "üçün" mənasındadır. Yet: zərf olaraq "hələ ki" mənasında, bağlayıcı olaraq isə "halbuki" anlamındadır.

Because :çünki.hər hansı birşeyə səbəb vermək üçün çünki istifadə edə bilərik.

ABSTRACT

Conjunction is a part of speech that functions as a connector between two sentences, clauses, phrases, or words. We often use conjunctions in speech without realizing it. In writing, they can be effectively used in lieu of starting a new sentence. Conjunctions are an integral part of the English language. If used properly, they can improve almost any type of writing. From business writing to academic writing, conjunctions help create better sentences. The three different types of conjunctions indicate different relationships between the elements joined. Coordinating conjunctions link elements of equal value. Correlative conjunctions are used in pairs to establish a specific relationship between elements of equal value. Subordinating conjunctions indicate that one element is of lesser value (subordinate) to another element.

Causal conjunctions are words and phrases which are used to introduce a cause, reason or explanation for a given action within a sentence. For instance 'because of', 'due to' and 'as a consequence of' are all causal conjunctions which link an action to its supposed cause.

Key words:types of conjunctions,speech,use,english language,writing.

XARİCİ DİLDƏ OXUMAQ METODOLOGİYASI

Hüseynova Jalə Arif qızı. Magistrant

Lənkəran Dövlət Universiteti

Prof. Dr. Cavadova Yeganə

XÜLASƏ

Tələb olunan təhsil daim qlobal texnoloji inkişafı birliktə hərəkət edir. Təhsillə əlaqədar olaraq, sinifdə tədris və öyrənmənin yenilikçi və yaradıcı olması tələb olunurdu. Bu halda ingilis dili dərslərində xüsusilə oxu bacarıqları bu gün tələbələr tərəfindən çox aşağı səviyyədə mənimsənilir. Oxu dinləmə, danışmaq və yazı ilə yanaşı öyrənilməli olan 4 bacarıqdan biridir. Şagirdlərin dinləmə, danışmaq və yazı bacarıqlarını gücləndirmək üçün dil öyrətməkdə oxu mühüm rol oynayır. Oxu bacarığı digər bacarıqların öyrənilməsi prosesinə təsir göstərir. Tələbələr oxuduqları zaman oxu bacarıqlarını məqsədlərinə görə uyğunlaşdırma bilməsələr, heç vaxt yaxşı oxucu olmayacaqlar. Oxunun tərzinə görə 2 növü vardır. Ucadan oxu və səssiz oxu

Ucadan oxu lazımi məlumatları başqalarına çatdırmaq üsulu hesab edilsə də, bu sinifdən kənarında çox da istifadə olunmayan bir fəaliyyətdir. Müəllimlər üçün ucadan oxu daha çox danışmaq üçün tələffüz məşqidir. Ucadan oxu şagirdlər üçün faydalıdır, çünki bu, onlara səslər və hərflərin və sözlərin yazılışı arasında əlaqə yaratmağa kömək edir və müəllimlərə şagirdlərin tələffüzünü yoxlamağa kömək edir. Səssiz oxu kitabları, qəzetləri, reklamları və s. oxuyarkən adətən məşğul olduğumuz fəaliyyətdir. Səssiz oxu həm real həyatda, həm də sinifdə geniş istifadə olunur. Səssiz oxudan istifadə etməklə biz oxu materiallarını ən qısa müddətdə, aydın şəkildə başa düşə bilirik. Mətni istədiyimiz sürətdə oxuya bilirik və oxuduğumuzu başa düşməyə, yenidən oxuya və ya intensiv oxumaq üçün yavaşlaya bilirik. Müəllimlər üçün səssiz oxu sinifi idarə etmək üçün faydalıdır. Səssiz oxu şagirdlərin oxu qabiliyyətini inkişaf etdirməyin ən faydalı və praktik üsuludur. Oxunun məqsədinə görə 4 növü vardır. Skimming, scanning, intensiv, geniş oxu.

Skimming ən vacib məlumatı tez bir zamanda toplamaq üçün istifadə olunur. Skimming faydalı oxu bacarığıdır. Oxu təliminin ilk mərhələsində tətbiq olunur ki, tələbələr oxuduqlarına ümumi baxış keçirə bilsinlər. Scanning vasitəsilə oxu materialında xüsusi məlumatın seçilməsi məqsədlə tapşırıqları yerinə yetirmək məqsəduyğundur. İntensiv oxu müəllimin rəhbərliyi altında şagirdləri mətnə diqqət yetirməyə məcbur edən bir tapşırığı ehtiva edir. İntensiv oxu konkret məlumatı ixtisar edərək, mətni qısa şəkildə oxumaq deməkdir. İntensiv oxunun məqsədi mətnin tək-cə mənasını deyil, həm də mənanın necə əmələ gəldiyini tam başa düşməyə

nail olmaqdır. İntensiv oxu vasitəsilə oxucu mətnin modelini. Yazıçının münasibətini, məqsədini, məqsədinə çatmaq üçün linqvistik vasitələri dərin və ətraflı başa düşülməsinə nail olmalıdır. Geniş oxu mövzu haqqında ümumi anlayış əldə etmək üçün istifadə olunur. Şagirdləri geniş oxumağa cəlb etmək onların oxu bacarıqlarını təkmilləşdirməyin ən asan və ən təsirli yoludur. Tələbələr istədikləri hər hansı bir mövzunu seçə və öz məqsədləri üçün oxuya bilirlər. Bununla belə geniş oxu, oxu müəlliminin köməyi ilə tədris proqramına uyğun aparılsa, daha effektiv olar.

Bir sözlə, oxumaq hər bir şagird üçün zəruridir. İkinci və ya xarici dil öyrənənlər üçün həm intensiv, həm də geniş oxu böyük əhəmiyyət kəsb edir, çünki onlar bilik əldə etmək vasitəsi kimi çıxış edirlər.

ABSTRACT

In this article we discussed about reading methods. Reading is one of the four skills which needs to be learned besides listening, speaking, and writing. According to purposes, reading is categorized into four types: skimming, scanning, extensive reading and intensive reading. Skimming is used to quickly gather the most important information. Scanning is the reading skill we use when we want to find the answer to a specific question. Intensive reading is reading for accuracy which is essential to the students' comprehension. Extensive reading is used to obtain a general understanding of a subject.

Key words: reading, reading methods, kinds of reading, purpose of reading.

PLANLAŞDIRMANIN HƏYATA KEÇİRİLMƏ ASPEKTLƏRİ

Cəfərov Sahil Nizam oğlu

Pedoqogika üzrə fəlsəfə
doktoru, dosent.

**Xalıqzadə Xatirə Etibar
qızı magistrant**

Lənkəran Dövlət Universiteti

XÜLASƏ

Qiymətləndirmə zamanı planlaşdırmanın mahiyyəti və məzmunu, şagird nəaliyyətlərinin sistemli və ardıcıl izlənməsinə və eyni zamanda görülən işin keyfiyyətinin artırılmasına bilavasitə təsir edir. Bu baxımdan planlaşdırma bir neçə aspekt üzrə formalaşdırılmalı və həyata keçirilməlidir. Həmin aspektləri ən optimal səviyyədə aşağıdakı kimi sistemləşdirmək olar:

1. Elmi-nəzəri aspekt.

Planlaşdırmaya elmi-nəzəri aspektdən baxış rəşional şəkilləri qəbul edərək fəaliyyətin həyata keçirilməsini daha düzgün və dəqiq işlərlə reallaşdırmağı nəzərdə tutur. Elmi-nəzəri aspekt digər tərəfdən planlaşmanın təhlil-tərkib süzgəcindən keçirilməsinə zəmin yaradır. Yəni planlaşmaya analitik baxışın önə çəkilməsi, eyni zamanda planlaşmanın refleksiv baxışla yekunlaşdırılması fakt, hadisə və proseslərin yeni məzmununda təhlil olunmasına əsas yaradır. Refleksiv baxış metakognitiv biliklər səviyyəsində həyata keçirilən prosesdir. Burada tənqidi təfəkkür ön planda olur. Nəticələr tənqidi yanaşmadan əldə olunur.

Planlaşmaya elmi-pedoqoji aspektdən yanaşmanın miqyası geniş və əhatəlidir. Düşünürük ki, elmi-nəzəri aspektin bütün imkanlarından istifadə olunması planlaşmaya öz müsbət təsirini göstərəcəkdir.

2. Planlaşmada metodoloji-pedoqoji aspekt.

Planlaşmada metodoloji-pedoqoji aspekt görüləcək işin praktikasında bilavasitə əks olunur. Real olaraq planlaşmanın məzmun və mahiyyəti ilə tətbiq etmə imkanları arasında elmi-pedoqoji rabitələri metodoloji-pedoqoji aspekt yaradır. Çünki burada məqsəd şagird nəaliyyətlərinin monitorinq və qiymətləndirilməsində səmərəli üsul və vasitələrinin kəşf olunub üzə çıxarılmasıdır. Bu mənada nəzəriyyə və praktika arasında keyfiyyət təminatının təşkilini qırılmaz bağlarla möhkəmləndirən metodoloji-pedoqoji aspektdir. Digər tərəfdən metodoloji-pedoqoji aspekt planlaşdırma zamanı üsul və vasitələrdən istifadənin zəruriliyini şərtləndirir.

3. Refleksiv-fəlsəfi aspekt.

Planlaşdırmada mahiyyət və məzmunun təkmilləşdirilməsi həyata keçirilən prosesə yenidən baxışdan aslıdır. Burada fəlsəfi məzmun daha dərin baxışlarla ölçülür. Əgər planlaşmada elmi-

idraki nöqteyi-nəzərdən yanaşmanı önə çəkmək fikrimiz varsa burada elmi-idrak fəaliyyətinin təşkilinin əsas prinsiplərindən söhbət gedə bilər.

Fikrimizi konkret şəkildə ifadə etməli olsaq, onu qeyd etməliyik ki, planlaşma da dialektik materializmin şəkilləri ilə reallaşmalıdır. Bu və ya digər məzmununda aparılan planlaşmalara yenidən baxış fəlsəfəsinin əsas tutulması daha dərin və fundamental nəticələrin alınması ilə yekunlaşır.

4. Planlaşmada daha məzmunlu yanaşma aspektlərindən biri də vasitə aspektidir. Bu aspekt hər bir şərt ilə digər şərtin bağlılığını yaradır. Yəni planlaşdırmaya kompleks yanaşma prinsipini əsas tutur.

Hesab edirik ki, qeyd etdiyimiz aspektlərdən israfə olunarsa şagird nəaliyyətlərinin qiymətləndirilməsi və monitorinqinin təşkili üçün nəzərdə tutulan planlaşmanın fundamental bazası genişlənəcəkdir. Yəni daha səmərəli nəticələrin əldə olunması üçün əlimizdə geniş imkanlar yaradacaqdır.

Bundan başqa planlaşma zamanı müxtəlif yanaşmalardan istifadə olunması qəbul olunan haldır. Yanaşmalar elementlərə müvafiq olaraq müəyyənləşir və xarakterizə olunur. Elementlər sırasında məqsəd elementi aparıcıdır. Deməli planlaşmanı həyata keçirən subyekt, məqsədi dəqiq və düzgün müəyyənləşdirməyi bacarmalıdır. Komponent olaraq məqsəd elementi məzmun elementini şərtləndirir. Məzmun irəli gələn mənanı ehtiva edir. Əgər məqsəd şagird nəaliyyətlərinin müəyyənləşdirilməsi və ümumi təhsil səviyyəsinin aydınlaşdırılmasında məzmun elementi həmin proseslərdə baş verən mənanı, səbəb-nəticə əlaqələrini üzə çıxarmağa imkan yaradır. Mütəxəssis məqsəd və məzmunu istinad etməklə fəaliyyət elementini və buna müvafiq olaraq vəzifələri müəyyənləşdirir. Deməli, məqsəd məzmunu, məzmun fəaliyyət və vəzifələri müəyyənləşdirir. Bu elementlər bir yerdə komplekslik yaratmaqla nəticəni şərtləndirir. Məhz bu sistemli gedişi nəzərə almaqla planlaşma işini daha dolğun həyata keçirmək mümkündür. Daha dəqiq ifadə etməli olsaq, onu qeyd etmək mümkündür ki, planlaşmanı həyata keçirən mütəxəssis strateji addımları elmi əsaslarla və məntiqi ardıcılıqla həyata keçirsə dəqiq statistik nəticələr əldə edəcək.

QIYMƏTLƏNDİRMƏ STRATEGİYALARINA VERİLƏN TƏLƏBLƏR

Əliyev Afiq
dosent

Hüseynzadə Sevin
magistrant

Lənkəran Dövlət Universiteti

XÜLASƏ

Ümummilli lider Heydər Əliyev müstəqil dövlət quruculuğu işində təhsil və tərbiyənin mühüm rola malik olduğunu bildirmişdir. “Təhsil sahəsi həyatımızın ən gərəkli, ən mühüm sahəsidir. O, milli məqsədlər, mənafeələr əsasında qurulmalıdır” – deyən H. Əliyev təhsil siyasətinə dövlət prinsiplərinin əsası kimi yanaşmışdır. Bu siyasətin uğurla həyata keçirilməsində pedaqoji işin təşkilinin göstəricisi kimi qiymətləndirmə strategiyasının üzərinə böyük vəzifələr düşür.

Qiymətləndirmə işini, eyni zamanda pedaqoji prosesin tamlığını təmin edən əsas şərt kimi də qəbul etmək olar. Təbii olaraq, səmərəli nəticənin alınmasına doğru gedən yolda bir neçə tələblərə əməl olunması vacibdir. Həmin tələblər sırasında validlik prinsipi mühüm yer tutur. Validlik prinsipi qiymətləndirmə üçün tərtib olunan sualların tədris olunan mövzuların məzmunundan seçilməsini tələb edir. Validlik prinsipinin səmərəsi geniş və əhatəlidir. Burada birinci şərt tədris olunan mövzuların içindən sualların tərtib olunmasıdır. Məsələnin bu şəkildə təşkil olunması nə ilə nəticələnə bilər?

Uyğunluq prinsipinin gözlənilməməsi şagird nailiyyətlərinin qiymətləndirilməsi prosesində meyarların seçilməsində çətinlik yaradır. Digər tərəfdən, uyğunluq prinsipinin gözlənilməməsi qiymətləndirmə prosesində obyektivliyə əhəmiyyətli dərəcədə mənfi təsir göstərir. Onu da qeyd etməliyik ki, qiymətləndirmədə uyğunluq prinsipinin gözlənilməməsi, şagirdin davamlı fəaliyyətinə əsaslı maneələr yaradır. Bunu nəzərə alaraq qiymətləndirmədə uyğunluq prinsipinə əməl edilməli, şagird nailiyyətlərinin qiymətləndirilməsi üçün tərtib olunan suallar tədris olunan mövzuların mahiyyətindən seçilməlidir.

Qiymətləndirmə strategiyasında nəzərdə tutulan digər tələb etibarlılıq prinsipinin gözlənilməməsidir. Bu prinsip əldə olunan nəticələr arasında uyğunluğunu tələb edir. Təbii prosesdir ki, obyektiv nəticənin davamlılığı şagirdin nailiyyət səviyyəsinin əsas göstəricisidir. Əgər şagird birinci keçirilən KSQ-də yüksək bal toplamışsa, növbəti KSQ-lərdə həmin bala uyğun səviyyə nümayiş etdirməlidir. Nəticələrin 2-5 bal arasında dəyişilməsi qəbul olunan

haldır. Yəni, şagirdin təlim nəticələri ilə nailiyyət göstəriciləri arasında kəskin fərq müşahidə olunursa, deməli, qiymətləndirmədə etibarlılıq prinsipi pozulmuş hesab olunur.

Şagird nailiyyətlərinin ölçülməsi həm mürəkkəb, həm də çətin hesab olunan prosesdir. Bu fakt ona görə qeyd olunur ki, şagirdin bütün fəaliyyətinin rəşional ifadəsi öz əksini qiymətdə tapır. Qiymət həm nəticənin, həm də fəaliyyətin rəşal göstəricisidir. Burada qeyd olunan qiymətləndirmə strategiyası təkəcə şagirdin intellekt səviyyəsinin göstəriciləri deyil, qiymətləndirmə həm də müəllimin pədaqoji fəaliyyətinin rəşal ifadəsidir desək, səhv etmərik. Çünki müəllim şagirdlərin qazandığı qiymətlər sayəsində pədaqoji fəaliyyətin nə dərəcədə səmərəli olduğunu müşahidə edir. Bu mənada qiymətləndirmə prosesində obyektivlik, aşkarlıq və sistemətlilik prinsiplərinə həmişə əməl olunmalıdır. Fikrimizcə, qeyd etdiyimiz prinsiplər üzrə pədaqoji fəaliyyətin təşkilı şagirdlərin nailiyyət səviyyəsinin dəqiq, düzgün və obyektiv ölçülməsinə geniş, sosial-psixoloji zəmin yaradacaqdır.

Məsələnin əsas tərəflərindən biri də qiymətləndirmə üsul və vasitələrinin dəqiq və düzgün seçilməsidir. Seçilən üsul və ona uyğun müəyyənləşdirilən vasitələr şagird nailiyyətlərinin rəşional şəkildə qeydə alınmasında mühüm şərtədir. Müxtəlif yönümlü səbəblər şagird nailiyyətlərinin qiymətləndirilməsində mənfi faktor kimi özünü göstərir. Bu sırada müəllimin yanaşmasında subyektivlik, meyarların düzgün müəyyənləşməməsi, səbəb-nəticə əlaqələrinin nəzərə alınmaması və sinifin ümumi səviyyəsinin rəşalizə edilməməsi üstünlük təşkil edir. Əlbəttə ki, mənfi amillər kompleksinin qarşısının alınmasında dərşin aparıcı subyektı kimi müəllimin rəşal inkaredilməzdir.

Yuxarıda qeyd etdiyimiz kimi mənfi təsirlərin qarşısının alınması obyektiv yanaşma şəraitində rəşallaşa bilir. Bu nəticənin əldə edilməsi üçün şagirdlərdə özünüqiymətləndirmə bacarığının formalaşdırılması və sinifdə qarşılıqlı qiymətləndirmə mühitinin yaradılması da arzuolunan nəticənin əldə olunmasına doğru seçilən optimal yoldur.

Düşünürük ki, qiymətləndirmə prosesində verilən rəşalər konstruktiv səpkidə olmalı və şagirdi gələcək nailiyyətlərə stimullaşdırmalıdır. Bu baxımdan qiymətləndirmə prosesi təhsil siyasətində mühüm əhəmiyyət kəşb edir. Təhsil siyasətinin vacibliyi müstəqil Azərbaycan dövlətinin qurucusu, Ulu Öndər Heydər Əliyevin “Təhsil hər bir dövlətin, cəmiyyətin həyatının, fəaliyyətinin mühüm bir sahəsidir. Cəmiyyət təhsilsiz inkişaf edə bilməz” ifadəsində öz əksini tapır.

ŞAGİRD LƏRİN AQRƏSSİVLİYİ VƏ ONU TÖRƏDƏN AMİLLƏRİN İSLAH YOLLARI

Dosent Sahil Cəfərov
Magistrant Rəhiməxanım Bədəlova
Lənkəran Dövlət Universiteti

XÜLASƏ

Aqressiya bəşər tarixindən etibarən mövcud olmuş və müasir dövrdə də öz aktuallığını qoruyan bir problemdir. Aqressiya sözünün latın dilindən tərcüməsi “hücum etmək” deməkdir. Aqressiya-bir canlı varlığın digər canlı varlığa fiziki və ya mənəvi hücum edərək ona zərər vermək istəməsi kimi başa düşülür. Eyni zamanda aqressiya hər hansı əşyaya qarşı da yönələ bilər. Aqressiya 2 qrupa bölünür:

1. Düşmənçilik məqsədilə, kiməsə zərər yetirmək üçün
2. Instrumental - hər hansı bir məqsədə çatmaq üçün

Müasir dövrdə sürətlə baş verən inkişaf həm də bir sıra sosial problemlər yaradır. Eyni zamanda bu sürətli inkişaf insan davranışında müəyyən pozğunluqlar yaradır. Televiziya, qəzet və jurnallarda eləcə də internet səhifələrində yayımlanan müxtəlif aqressiv aktlar, aqressiyanı əks etdirən kinofilmlər, cizgi filmləri kimi bir sıra faktlar insanın aqressiyaya məruz qaldığının əyani göstəricisidir. Bununla yanaşı dünyada getdikcə artan qlobal problemlər, insan münasibətlərində yaranmış problemlər aqressiv davranışa gətirib çıxarır. Sadaladığımız bütün bu məsələlər gənclərin, uşaqların, yeniyetmələrin, yaşlıların davranışında aqressiya ilə müşahidə olunur. Yeniyetməlik dövründə uşaqlarda xüsusən, daxili aqressiya, əsəbilik və aqressiv davranışlar tez-tez müşahidə olunur. Hüquqşünaslar 14-16 yeniyetməlik yaş aralığını “kritik yaş dönəmi” adlandırırlar. Belə ki, bu yaş dövründə yeniyetmələrdə aqressiyanın ən pik həddi müşahidə olunur. Yeniyetməlik yaş dövrü hər uşaqda eyni olmur. Hər uşaq bu dövrü özünəməxsus şəkildə keçirir. Amma çox vaxt uşaq

dövründə diqqət görməyən, doğru şəkildə tərbiyə edilməyən, məsuliyyət hissi formalaşdırılmayan uşaqların yeniyetməlik dövrü çətin keçir.

Aqressiya həmçinin təhsil sisteminə də təsir göstərir. Bəzi yeniyetmələr həddindən artıq aqressiv olur və ya yanlış qruplaşmalara yönəlir ki, bu da nəticədə onların məktəbdən, dərstdən uzaqlaşmasına səbəb olur. Belə dövrdə uşaqlar yanlış maraqlara, zərərli vərdişlərə yönələ bilərlər. Valideynlər bu dövrdə övladlarının dost çevrəsini bilməli, ünsiyyətdə olduğu insanlara

diqqət edib, onları tanımalıdır. Əgər bir uşaq təhsildən uzaqlaşsınsa, dərslərini oxumaq istəmirsə təbii ki, asudə vaxtını daha çox dostları ilə keçirir və zamanla yanlış istiqamətdə maraqlara yönəlir.

Təhsil sistemində aqressivliyi şərtləndirən səbəblər bunlardır: müəllimin dərsi keçə bilməməsi; pedaqoji ünsiyyət etikasının olmaması; pedaqoji peşəkarlıq səviyyəsinin aşağı olması; tələbələr arasında ayrı-seçkiliyə yol verməsi; tələbənin geyiminə qarışması; tələbənin istədiyi peşədə və təhsil müəssisəsində təhsil almaması; tələbəyə şəxsiyyət kimi yanaşılmırsa; təhsilin məzmunu, keyfiyyəti tələbəni qane etmirsə; ailədaxili problemlər və ailə tərbiyəsi kimi faktorlar aqressiyaya səbəb olan amillər hesab olunur.

Aqressiyanın təhsilə təsir etməməsi və ya bu təsiri minimuma endirmək üçün bir sıra təkliflər irəli sürülür:

- Müəllimlərin pedaqoji qabiliyyətini inkişaf etdirmək;
- Müəllimlər üçün kurslar təşkil etmək;
- Müəllim-tələbə münasibətlərində ifrata yol verməmək.

Qeyd olunan faktlarla bərabər hesab edirəm ki, aqressiyanı doğuran səbəblər ilk növbədə müəyyənleşməlidir. Müşahidələrimiz onu deməyə imkan verir ki, yetişən nəsildə, xüsusilə yeniyetməlik dövrünə daxil olan şagirdlərdə aqressiyanı yaradan əsas şərtlər onların məruz qaldığı müxtəlif cəhətli bullinqlər vasitəsilə xarakterizə olunur. Təhsiləmə dövründə kənar şəxslər tərəfindən (xüsusilə şagird yoldaşları tərəfindən) törədilən bullinqlər şagirdlərdə aqressiyanın bir neçə mənbəsini yaradır. Ən optimal məzmununda həmin səbəblərin xarakteristikasını aşağıdakı kimi müqayisəli formada təqdim etmək olar:

- Fiziki bullinq bədənə fiziki cəza ilə nəticələnir və orqanizmdə maddi fəsadlar yaradır;
- Sosial bullinq sosiallaşmanın tənəzzül həddinə istiqamətlənir, şagirdə ictimai davranış normalarına əks olan davranış modeli yaradır və şagirdin qrupda, kollektivdə mövqeyinin zəifləməsi ilə nəticələnir;
- Verbal bullinq şagirdə mənəvi sıxıntı yaratmaqla bərabər şagirdin sosial nüfuzunun itməsi ilə nəticələnir;
- Qeyri-verbal bullinq şagirdə mənəvi sıxıntı yaratmaqla qorxu hissini əmələ gətirir;

- Bilavasitə bullinq şagirdlərarası qarşıdurma yaradır;
- Bilavasitə bullinq (dolayı yolla) bir şagirdə qarşı bir neçə şagirdin zorakılığı ilə nəticələnir;
- Kiber bullinq internet resursları vasitəsilə şagirdə edilən təsirdir və şagirdin həm aqressiv davranışına, həm cəmiyyətdən təcrid olunmasına və hətta ümumi cəmiyyətə qarşı nifrət hissinin formalaşması ilə nəticələnir.

ATROPATENA MƏDƏNİYYƏTİNİN TƏDRİSİNDƏ ƏYANİLİK PRİNSİPİ**Şəmmədli Nazənin Höccət**

Lənkəran Dövlət Universiteti, magistr

ORCID ID: 0000-0002-6543-7938**Açar sözlər:** Azərbaycan, Atropatena, mədəniyyət

Azərbaycan tarixinin ən qədim tarixə malik dövlətlərindən biri Atropatena olmuşdur. Atropatena əlverişli təbii coğrafi mövqeyə və iqlim şəraitinə əsaslanan zəngin təsərrüfata malik olmuşdur. Atropatenanın təsərrüfat həyatı və mədəniyyətinin tədrisi prosesində müxtəlif əyani vəsaitlərdən istifadə olunur: şəkil və plakatlar, sxematik materiallar (sxem, cədvəl, diaqramlar), simvolik əyani vəsaitlər (xəritələr).

Atropatena qədimdən yüksək inkişaf etmiş sənətkarlıq ölkəsi kimi məşhur olub, müxtəlif sənət sahələrinin inkişafı üçün çox zəngin faydalı qazıntılara malik idi. Burada dəmir, mis, qurğuşun, gümüş, qızıl və s. çıxarılırdı. Dərslərdəki şəkillərdən istifadə edərək arxeoloji qazıntılar zamanı tapılmış bəzək əşyaları göstərilə bilər. Həmçinin elektron vasitənin köməyi ilə Ərdəbil yaxınlığında tapılmış boyalı, naxışlı və şirli qablar və Atropatena sənətkarlarının istehsal etdikləri yüksək keyfiyyətli metal və gil qablar, müxtəlif silah növləri, toxuculuq məmulatı, bəzək şeyləri, təsərrüfat və məişət əşyaları nümayiş edilə bilər.

Ellin dövlətlərini birləşdirən mühüm ticarət yolları da Atropatena ərazisindən keçirdi. Ticarətdə puldan geniş istifadə edilirdi. Atropatena pullarının təsviri əks olunmuş şəkillər vasitəsilə şagirdlərə məlumat verilir ki, Atropatena ərazisində tapılmış ən qədim pullar Makedoniyalı İsgəndərin adından kəsilmişdir, tədavüldə Parfiya pulları da işlədilirdi, yerli hökmdarların adına kəsilmiş pullara isə rast gəlinməmişdir. Həmçinin xəritədən istifadə edərək qeyd oluna bilər ki, mənbələrdə Qazaka, Fraaspa, Fanaspa, Aqanzana kimi Atropatena şəhərlərinin adları verilir ki, xəritədə onların yerləşdiyi ərazi göstərilə bilər.

Ümumiyyətlə, qədim Atropatena mədəniyyətinin tədrisində əyani vəsaitlərdən istifadə tədrisi xeyli canlandırır və maraqlıdır.

AZƏRBAYCANÇILIQ İDEOLOGİYASININ ƏSASLARI VƏ TƏDRİSİ METODİKASI

Əliyeva Cəmilə Ələmdar qızı
Lənkəran Dövlət Universiteti, magistr
ORCID ID: 0000-0002-8818-3301

Açar sözlər: Milli ideologiya, milli şüur, Vətənpərvərlik, interaktiv üsullar, metodoloji xüsusiyyət.

Azərbaycançılıq ideologiyası qədim dövrlərdən başlayaraq müasir dövrə qədər Azərbaycan xalqının adət-ənənələrini, milli-mənəvi dəyərlərini, etnik-siyasi xüsusiyyətini özündə birləşdirən və yaşadan vətəndaş birliyi və həmrəyliyi dayanır. Bu isə o deməkdir ki, Vətən və vətəndaşlıq hissi azərbaycançılığın əsas xəttidir. Milli şüur anlayışına gəldikdə isə onun başlıca əlamətlərini aşağıdakı kimi səciyyələndirmək olar:

1. Milli mədəniyyət
2. Milli etik - əxlaqi normalar
3. İctimai birlik və həmrəylik
4. Dövlətçilik və onun atributlarına ehtiram
5. Vətənpərvərlik
6. Milli – mənəvi dəyərlərin bəşəri dəyərlərlə qovuşdurulması

Şəxsiyyətin formalaşmasında tarixin öyrənilməsi tarix təlimi prosesində müəyyən şəxsiyyətin formalaşması sahəsində tərbiyə işi ilə sıx surətdə bağlı olan üç istiqamətdə aparılır: Ümumbəşəri, milli və sosial dəyərlərə yiyələnmək.

Milli ideologiya güclü və dayanıqlı təməllərə söykənmədikdə, bu dövlətin, dövlətçilik ənənələrinin inkişafına mənfi təsir göstərir. Bütün bunlarla yanaşı, azərbaycançılığın təhsil müəssisələrində təbliğ olunmasına xüsusi diqqət göstərməyə ehtiyac var. Azərbaycançılıq təkcə öyrətmə yolu ilə yanaşı praktik işlərin nümunəsində meydana çıxır. Eyni zamanda, azərbaycançılığın mahiyyəti, əsasları, metodologiyası öyrədilir. Bütün tədbirlərdə, mühazirələrdə, hətta ekskursiyaların özündə belə azərbaycançılığın təbliği aparılmalıdır. Müasir dövrdə təhsil sistemində azərbaycançılıq ideologiyasının öyrənilməsi vəzifə kimi qarşıya qoyulur. Bu sistemin metodoloji xüsusiyyətləri məhz azərbaycançılıq ideyasında, azərbaycançılıq ideologiyasında əksini tapır. Bu yanaşma, eyni zamanda, milli tərbiyə sisteminin azərbaycançılıq ideologiyasının mənbəyi kimi dərk olunmasına, onun bu istiqamətdə tətbiqinə imkanlar yaradır. Buna görə də pedaqoji prosesdə ilk növbədə nəyi

öyrətməli və nə məqsədlə öyrətməli kimi suallar ətrafında düşünəlməli və buna cavab axtarılmalıdır.

Məktəblərdə milli tərbiyə müxtəlif siniflərdə şagirdlərin yaş və inkişaf səviyyəsinə uyğun aparılır. Aşağı siniflərdən başlayaraq şagirdlər adət-ənənələrlə, tariximizlə, dövlətimizin millətin həyatında oynadığı rolla, döyüş qəhrəmanlarının şücaəti, elm xadimlərinin nailiyyətləri və digər məsələlərlə sistemli tanışlıq olaraq onlarda Azərbaycan, Azərbaycan dövləti, Azərbaycan xalqı, adət-ənənələr, Vətən, millət haqqında tədricən ən zəruri bilik və bacarıqlar yaranır. Təlimdə problemlilik, yaradıcı axtarışlar, şifahi şərh metodu, əyani təlim metodu, nəşr edilmiş materialla iş, interaktiv təlim üsullarından istifadə kitab müzakirələri, söhbətlər, mühazirələr, disputlar elmi diskussiyalar dünyagörüşü tərbiyəsi, milli ideologiya baxımından da əhəmiyyətlidir. Dərslərdə aparılan ideya mənəvi tərbiyə işi sinifdən xaric və məktəbdən kənar tədbirlər yolu ilə də davam etdirilir. Bu məqsədlə müxtəlif formalardan istifadə olunur:

- a) Kütləvi tədbirləri;
- b) Klub və dərnek tədbirləri: ictimai-siyasi klub, muzey və dərneklərin fəaliyyəti;
- c) Mənəvi fərdi işlər: şagirdlərin şəxsi təhsili, müxtəlif fərdi tapşırıqlar (qəzet, stend, məruzə hazırlamaq) və s.

Təhsilə alanlar dərk etməlidirlər ki, azərbaycançılıq həm də bir düşüncə sistemi olaraq milli birliyimizin, vətənimizin bütövlüyü, qorunması hissini, dövlətimizin daha da möhkəmdirilməsi və inkişafına xidmət edir

THE USE OF THE PRINCIPLE OF SUBSIDIARITY IN THE EU

Milena Apostolovska -Stepanoska¹
Skopje; Justininaus Primus Law Faculty

Hristina Runcheva Tasev²
Ss.Cyril and Methodius University in Skopje; Justininaus Primus Law Faculty

ABSTRACT

Since the inception of the international human rights ("IHR") framework, the principle of subsidiarity has served as a cornerstone of its organizational structure. At its core, subsidiarity asserts that IHR norms are most effectively implemented at the lowest feasible level of national authority. Hence, prior to a supranational or multinational body intervening in a human rights case on a global scale, it is incumbent upon them to ensure that the primary responsibility for addressing the pertinent violation lies with the state concerned. Moreover, subsidiarity dictates that the domestic government should be afforded the optimal opportunity to devise corrective measures even after supranational authorities have investigated or adjudicated on a human rights issue.

The significance of the principle of subsidiarity within IHR law can be analyzed from various perspectives. Firstly, regarding its applicability, it's recognized that adherence to decisions made by international bodies with binding authority on human rights cannot be compelled solely through subsidiarity. Thus, within the international framework, the execution of judgments from non-enforcement institutions relies on the coherence of national authorities and their utilization of policing functions to enforce IHR legislation.

Moreover, a crucial rationale behind subsidiarity is that domestic authorities are better positioned to serve the objectives of IHR content and implementation accurately and effectively in the event of violations. They possess more expertise than international officials in addressing issues within their own borders. Despite IHR legislation being considered universal, subsidiarity acknowledges that each country maintains sovereignty over incidents within its territory. This recognition underscores respect for national sovereignty.

The main aim of this research is to present a critical point of view over the use of the principle of subsidiarity in the EU.

¹ 000 Skopje; Justininaus Primus Law Faculty; email: m.apostolovskastepanoska@pf.ukim.edu.mk;

² Milena Apostolovska-Stepanoska, Ph.D, Associate Professor, Ss.Cyril and Methodius University in Skopje; Justininaus Primus Law Faculty; email:h.runchevatasev@pf.ukim.edu.mk

KEY WORDS: subsidiarity, human rights, EU

1. INTRODUCTION

European Integration: The principle of subsidiarity gained prominence in the context of European integration following World War II. It was enshrined in the Treaty on European Union (Maastricht Treaty) in 1992 as a guiding principle for the distribution of competences between the European Union and its member states. The principle aims to ensure that decisions are taken as closely as possible to the citizens and that action is taken at the EU level only when necessary.

But the idea of the principle of subsidiarity is not new. Subsidiarity has been discussed and applied in various political contexts beyond Europe. Political theorists such as Alexis de Tocqueville and Friedrich Hayek have explored similar ideas regarding the importance of decentralized governance and the role of intermediary institutions in preserving individual freedom and social cohesion.

The principle of subsidiarity has also been invoked in international law and human rights discourse. While not always explicitly named as such, concepts related to subsidiarity, such as the margin of appreciation, have been recognized by international courts and institutions as important considerations in determining the allocation of responsibilities between international and national authorities.

2. The European Court of Human Rights and the principle of subsidiarity

The authorities that ensure the stability of human rights in the international arena have variously sought so far - often in multiple ways - on balancing their objective to ensure the universalization of fundamental freedoms while preserving nations self-determination thru various ways. Those may briefly and roughly categorized as follows; "content phase", the "jurisdictional phase", and the "implementation phase". Perhaps the most remarkable illustration of subsidiarity at the content phase is how the common law interprets the "margin of appreciation" concept of the European Court of Human Rights ("ECtHR"), which originates essentially from the subsidiarity principle.

The principle of subsidiarity, while not explicitly named as such, has been a factor in several judgments of the European Court of Human Rights (ECtHR) throughout its history. Here's a

historical overview of some significant cases where the principle of subsidiarity has been considered.

One notable example of the principle of subsidiarity in judgments made by the European Court of Human Rights (ECtHR) is the case of *Söderman v. Sweden* (2000).³ In this case, the applicant, Sven Erik Söderman, brought a complaint before the ECtHR alleging a violation of his right to freedom of expression under Article 10 of the European Convention on Human Rights (ECHR).

Söderman was a journalist who had published an article criticizing a judge in a legal case. The judge sued Söderman for defamation, and Söderman was ultimately convicted and fined by the Swedish courts. Söderman argued before the ECtHR that his conviction violated his right to freedom of expression.

The ECtHR, in its judgment, balanced the right to freedom of expression against the need to protect the reputation of individuals, particularly judges, in the context of the functioning of the judiciary. The Court emphasized the importance of freedom of expression in a democratic society and recognized the vital role of journalists in scrutinizing public authorities and institutions.

However, in applying the principle of subsidiarity, the ECtHR also acknowledged the margin of appreciation enjoyed by national authorities in balancing conflicting interests, such as freedom of expression and the protection of reputation. The Court noted that defamation laws and their application may vary from one member state to another, reflecting different cultural and legal traditions.

Ultimately, the ECtHR held that there had been no violation of Article 10 of the ECHR in Söderman's case. It deferred to the Swedish authorities' assessment of the need to protect the reputation of the judge and concluded that the interference with Söderman's right to freedom of expression was justified in this particular instance, given the circumstances of the case and the margin of appreciation afforded to national authorities. This judgment illustrates how the principle of subsidiarity is applied by the ECtHR in balancing competing interests and respecting the autonomy of member states in certain areas of law.

³ [https://hudoc.echr.coe.int/eng#{%22itemid%22:\[%22001-128043%22\]}](https://hudoc.echr.coe.int/eng#{%22itemid%22:[%22001-128043%22]}) visited 19.02.2024.

In this other case, Diane Pretty⁴, a terminally ill woman from the United Kingdom, sought assurance from the UK authorities that her husband would not be prosecuted if he assisted her in ending her life. She suffered from motor neuron disease and was experiencing considerable suffering. Mrs. Pretty argued that her right to respect for private and family life under Article 8 of the European Convention on Human Rights (ECHR) encompassed the right to die with dignity and that the UK's prohibition on assisted suicide infringed upon her rights.

The European Court of Human Rights, in its judgment, recognized the gravity and sensitivity of the issues raised by Mrs. Pretty's case. However, the Court also emphasized the principle of subsidiarity, which allows member states a margin of appreciation in certain matters, particularly those involving deeply held moral, ethical, and cultural beliefs.

The Court held that the question of whether to legalize assisted suicide was a complex and controversial issue, deeply rooted in the moral and ethical fabric of society. Therefore, the ECtHR concluded that it was not appropriate for the Court to impose a uniform solution across all member states. Instead, the Court ruled that states should have a degree of latitude in determining their own policies regarding assisted suicide, taking into account their national legal, social, and cultural contexts.

In applying the principle of subsidiarity, the ECtHR did not find a violation of Article 8 of the ECHR in Mrs. Pretty's case. The Court held that the UK authorities had carefully considered the issues involved and had struck a fair balance between Mrs. Pretty's right to respect for private life and the state's interest in protecting the sanctity of life and vulnerable individuals.

This case illustrates how the ECtHR applies the principle of subsidiarity by recognizing the autonomy of member states in addressing complex and morally contentious issues within their own legal frameworks.

Some authors claim that one of the negative aspects of the principle of subsidiarity regarding the IHR is that this principle stands in opposition to the idea that reliance on universal human rights at the content phase should be based on sole and strict conclusions or understandings arising solely from the definition set by an international institution. It therefore ensures the adoption of a pluralistic approach at the content definition phase. From a holistic perspective, taking into account the balance of interests, the possibility of unifying this content within IHR

⁴ <https://www.ncbi.nlm.nih.gov/pmc/articles/PMC1123022/> visited 19.02.2024.

and establishing single supranational legal standard is essentially a positive gain that transcends the negatives. This is because the great tolerance allowed to national actors regarding substantive matters has the potential to generate the misconception that there is a fluid set of norms, resulting in each State constantly negotiating according to its own interests and the exigencies of the situation. It is important to note that even though the principle of respect for state sovereignty is an indispensable principle of human rights law, it is not the main objective. For this reason, it should not be tolerated to prevent the aim of establishing order through sanctions to ensure social and individual development by protecting the fundamental rights and freedoms of individuals living in society on the basis of equality.⁵

On the other hand, there are authors who have discussed the positive implications of subsidiarity for international human rights. They claim that the principle of subsidiarity, when applied thoughtfully, can indeed have positive implications for international human rights.

In that manner, Philip Alston a prominent human rights scholar and former UN Special Rapporteur on Extreme Poverty and Human Rights, has written extensively on the importance of respecting national sovereignty and cultural diversity in the promotion and protection of human rights. He emphasizes the need for a nuanced approach that recognizes the role of subsidiarity in ensuring effective implementation of human rights at the national level.

Also, Dinah Shelton an expert in international law and human rights, has highlighted the significance of subsidiarity in her works on the relationship between international and national human rights mechanisms. She argues that subsidiarity can enhance the legitimacy and effectiveness of human rights protection by empowering local actors and institutions to address human rights issues in accordance with their own legal and cultural contexts.

Makau Mutua a legal scholar and human rights advocate, has explored the implications of subsidiarity for human rights in the African context. He argues that subsidiarity can facilitate the localization of human rights norms and standards, making them more accessible and relevant to local communities. This, in turn, can promote greater ownership and compliance with human rights obligations at the national level.

Conclusion

⁵ A CRITICAL LOOK OVER THE USE OF THE PRINCIPLE OF SUBSIDIARITY IN EU, Zeynep KARLI

The use of the principle of subsidiarity in the context of international human rights can be viewed both positively and negatively, depending on the specific circumstances and how it is applied.

Positive aspects:

1. **Respect for diversity:** Subsidiarity acknowledges the diversity of legal systems, cultures, and social contexts among different nations. It allows states to develop and implement human rights protections in a manner that reflects their specific circumstances and values.
2. **Flexibility:** Subsidiarity provides flexibility in addressing human rights issues, allowing states to tailor their responses to local needs and conditions. This can lead to more effective and contextually appropriate solutions.
3. **Ownership and empowerment:** By giving states a degree of autonomy in addressing human rights issues, subsidiarity promotes ownership and empowerment at the national level. States are encouraged to take ownership of their human rights obligations and develop strategies for their implementation.

Negative aspects:

1. **Potential for abuse:** Subsidiarity can be used as a pretext for states to avoid their human rights obligations or to justify violations under the guise of national sovereignty. This can undermine the universality and indivisibility of human rights.
2. **Inconsistency and inequality:** Subsidiarity may lead to inconsistency in the protection of human rights across different states, as standards and practices vary. This can result in unequal treatment of individuals based on their nationality or location.
3. **Lack of accountability:** Subsidiarity may weaken international oversight and accountability mechanisms for human rights violations, as states may resist external scrutiny or intervention in their domestic affairs.

Overall, while the principle of subsidiarity can have positive implications for international human rights by promoting diversity, flexibility, and empowerment, its application must be carefully balanced to ensure that it does not undermine the fundamental principles of universality, equality, and accountability in the protection of human rights.

REFERENCES

- Andreas Follesdal (2013). The Principle of Subsidiarity as A Constitutional Principle in International Law. *Global Constitutionalism*, 2, pp 37-62 doi:10.1017/S2045381712000123
- Council of Europe. (1950). *Convention for the Protection of Human Rights and Fundamental Freedoms*. In Council of Europe Treaty Series 005. Council of Europe.
- Oddný Mjöll Arnardóttir, The “Procedural Turn” Under The European Convention On Human Rights And Presumptions Of Convention Compliance, *International Journal of Constitutional Law*, Volume 15, Issue 1, 1 January 2017, Pages 9–35, <https://doi.org/10.1093/icon/mox008>
- Paul Craig (2012), Subsidiarity: A Political and Legal Analysis. *JCMS: Journal of Common Market Studies*, 50: 72-87. <https://doi.org/10.1111/j.1468-5965.2011.02228.x>
- Thomas Kleinlein (2019). The Procedural Approach of the European Court of Human Rights: Between Subsidiarity and Dynamic Evolution, *International & Comparative Law Quarterly*, 68(1), 91-110. doi:10.1017/S0020589318000416
- William M. Carter Jr. (2008), Rethinking Subsidiarity in International Human Rights Adjudication, 30 *Hamline Journal of Public Law & Policy* 319. Available at: https://scholarship.law.pitt.edu/fac_articles/69

GENDER EQUALITY, EQUITY, AND INCLUSIVITY IN LESOTHO: PATHWAYS TO ACHIEVING SUSTAINABLE DEVELOPMENT GOALS

Sonia Mairos Ferreira
Kimanzi Muthengi
UNICEF Lesotho Country Office

ABSTRACT

Lesotho's pursuit of the Sustainable Development Goals (SDGs) is inextricably linked to its progress in gender equity, inclusivity, and the empowerment of all segments of its population. This paper presents an original exploration of the nation's gender dynamics, focusing on the transformative potential of involving male youth in gender and inclusive development initiatives. Through a critical analysis of current societal roles, this study evaluates the obstacles and opportunities that male youth face in becoming proactive agents of change. It assesses how these factors align with the objectives of the SDGs, particularly those related to gender equality and reduced inequalities. The methodology of this paper employs a meta-analysis of seminal documents, including the Lesotho Demographic and Health Survey, Lesotho MICS - Multiple Indicator Cluster Survey 2018, as well as UNICEF's Country Program Documents for Lesotho, and reports from the Lesotho Government (e.g., Bureau of Statistics, Ministry of Finances). Additionally, the study incorporates findings from the World Bank's Lesotho Systematic Country Diagnostic and the Lesotho Gender and Development Policy, which provide critical insights into the nation's gender-related progress and challenges. Through this comprehensive review, the paper aims to construct an evidence-based narrative around gender, inclusivity, and equity in Lesotho. Findings suggest that while male youth in Lesotho are traditionally viewed as peripheral to gender and inclusivity advocacy, there exists a significant, albeit underutilized, capacity for their contribution to societal change. The paper proposes that capitalizing on this untapped potential requires a paradigm shift in policy and community engagement strategies. It advocates for educational reforms and community programs that challenge existing gender, equity and inclusivity stereotypes and promote a more inclusive approach to development. The conclusion underscores the necessity for innovative policy frameworks that not only recognize the unique role of male youth in gender advocacy but also actively involve them in the creation of a more equitable society.

Keywords: Knowledge management; Research driven learning; Inclusive repositories; Participatory methodologies; Youth-centric perspectives.

INTRODUCTION

Lesotho's developmental journey is inextricably interwoven with its dramatic geography, presenting a vivid dichotomy between its natural splendour and the socio-economic strains that beset its people (UNICEF, 2023a, UNDP's Lesotho Country Office, 2023; Ferreira, 2023; IMF, 2022; Mukurunge & Bhila, 2019; SADC, 2018). The nation's undulating landscapes and rugged terrains, though a testament to its environmental majesty, mask the underlying socio-political strife that has recurrently marred its governance structures. Cycles of political instability have engendered significant governance gaps, impeded economic progress and amplifying the vulnerability of a population already challenged by limited institutional support. Particularly in rural areas, these gaps manifest in restricted access to justice and fundamental services, underscoring the profound impact of policy shortfalls on the socio-economic fabric of the country. This reality, emblematic of entrenched structural issues, significantly shapes Lesotho's developmental trajectory, presenting a complex array of challenges that require multifaceted and nuanced responses.

Presently, the country confronts a complex web of enduring challenges that heighten its vulnerability to food insecurity and socio-economic instability, a situation markedly exacerbated by its high poverty rates, fragile natural resources, and significant job scarcity (The World Bank, 2023a, 2023b; UNDP Lesotho Country Office, 2023; IMF, 2022). The reliance on external assistance, coupled with a limited economic foundation, especially in terms of agricultural productivity, puts excessive strain on the nation's capacity for fostering resilience amongst its populace. The lack of diverse economic activities and access to markets adds layers of complexity to efforts aimed at bolstering resilience at all societal levels—from the national to the local. Compounding this situation is the uneven burden of these challenges, which are experienced more acutely by women, children and youth, and communities facing marginalization, thereby exacerbating existing inequalities and hindering inclusive development (The World Bank, 2023a, 2023b; Hemat *et al.*, 2022; SADC, 2018; Chingono, 2016). These disparities underscore the need for tailored interventions that address the specific vulnerabilities of different sectors within the society, ensuring that resilience-building strategies are equitable and effective in reaching all who are affected.

Complicating these chronic vulnerabilities is the looming threat of climatic volatility, notably the expected El Niño event that forecasts below-normal rainfall for the 2023/2024 season,

risking a delayed onset of rains⁶. This anticipated climate anomaly threatens to amplify existing food insecurity, projecting a dire scenario for approximately 325,000 individuals, or 22% of Lesotho's rural population and 14% of the entire populace, to be ensnared in IPC Phase 3 from October 2023 to March 2024 (ReliefWeb, 2023). Economic indicators also signal distress, with inflation rates projected to rise and further strain the already dwindling purchasing power of the most affected groups. The anticipated surge in food prices, particularly acute in the post-harvest months, is poised to severely curtail access to food for the poorest households, exacerbating the vulnerability of children and marginalized communities (ReliefWeb, 2023).

In addition to the previous issues, the healthcare system contends with a multitude of challenges that critically impede the nation's public health outcomes. Foremost among these is the HIV/AIDS epidemic, which exhibits one of the highest prevalence rates globally. This epidemic stretches the capacity of healthcare services, impacting not only the provision of direct care for HIV/AIDS patients but also diverting resources from other health areas (iQvia, 2023; UNICEF, 2023a; UNDP Lesotho Country Office, 2023; Ferreira, 2023; IMF, 2022; Mukurunge & Bhila, 2019; SADC, 2018; Lesotho Zero Hunger Strategic Review, 2018). The elevated prevalence rate also has broader implications, such as increasing the vulnerability of the population to opportunistic infections and diminishing overall workforce productivity, which in turn perpetuates cycles of poverty and illness.

Another major challenge relates to the prevalent issue of malnutrition, which manifests in high rates of stunting and undernutrition, particularly in children. Malnutrition in Lesotho is multifactorial, driven by food insecurity, suboptimal infant feeding practices, and a lack of education regarding nutrition (iQvia, 2023; UNICEF, 2023a; UNDP Lesotho Country Office, 2023; Ferreira, 2023). This is further aggravated by deficiencies in Water, Sanitation, and Hygiene (WASH) infrastructure, which contribute to the transmission of infectious diseases and compound the effects of malnutrition. Effective interventions in these areas require a multi-sectoral approach, integrating nutrition programs with improvements in WASH facilities, healthcare services, and educational initiatives to address the root causes of malnutrition. Moreover, Lesotho faces the growing burden of non-communicable diseases (NCDs), such as hypertension and diabetes, which are becoming increasingly prevalent due to lifestyle changes and

⁶ Detailed projections can be consulted at: https://www.meteoblue.com/en/weather/forecast/seasonaloutlook/maseru_lesotho_932505 https://agricultural-production-hotspots.ec.europa.eu/seasonal_forecast.php?sfreg=africa, and <https://reliefweb.int/report/lesotho/lesotho-remote-monitoring-report-october-2023>.

overnutrition. The rise in NCDs presents an additional challenge for a healthcare system already strained by infectious diseases and malnutrition (WHO African Region, 2023).

Education faces a set of complex challenges that hinder its capacity to provide equitable and quality learning opportunities (UNICEF, 2023a, 2023b; Government of Lesotho, 2023a, 2023b; International Commission of Jurists, 2023). One of the foremost issues is access to education, particularly in rural and remote areas. Geographic barriers, including rugged terrain and long distances to schools, make it difficult for many children, especially girls, to access formal education. Additionally, a shortage of qualified teachers and inadequate school infrastructure further exacerbates these disparities. The quality of education in Lesotho is also a significant concern. Many schools lack essential resources, including textbooks and teaching materials, and often operate with large class sizes, making it challenging for teachers to provide individualized attention to students. This impacts the overall quality of learning and hampers the development of critical skills. Furthermore, the curriculum may not always align with the needs of the job market, leading to a mismatch between education outcomes and employment opportunities. Lastly, it is important to acknowledge that socioeconomic factors play a role in educational challenges. Poverty and food insecurity can lead to absenteeism and dropout rates among students, as families may prioritize immediate survival needs over education (UNICEF, 2023a, 2023b; International Commission of Jurists, 2023).

The preceding summary is not comprehensive; it provides only a cursory overview. Nevertheless, it is essential to acknowledge that all the aforementioned factors are intricately interrelated and significantly contribute to gender disparities, inequities, and social exclusion within the context of Lesotho.

1. Gender Equality, Equity, and Inclusion in Lesotho: A Brief Summary

Gender disparities are woven into the societal fabric, rooted in cultural norms that have historically placed women at a disadvantage (UNDP, 2023; UNDP & UN Women, 2023). Access to education, a fundamental human right and a cornerstone of development, remains unevenly distributed, with women and girls often facing systemic barriers. The repercussions of educational inequity are profound, limiting female participation in higher-wage employment sectors and perpetuating a cycle of economic dependency. This educational gap not only stifles individual potential but also restricts the nation's economic diversification and growth. The skewed economic opportunities further reinforce gender roles, with women typically relegated to lower-paying and less secure forms of employment. In the agricultural sector, which employs

a substantial portion of the female workforce, women frequently lack ownership rights, access to credit, and control over resources. Consequently, their contributions remain undervalued, and their capacity to influence economic decisions is limited. This economic marginalization hinders the overall productivity of the workforce and exacerbates gender-based economic disparities (UNDP & UN Women, 2023; Government of Lesotho, 2023b). Moreover, women's underrepresentation in decision-making processes, from local governance to national politics, signifies a broader issue of gender-based exclusion. Without equitable representation, policies and initiatives often fail to address the specific needs and challenges faced by women, perpetuating a status quo that undervalues their voices and contributions. This systemic exclusion not only impairs the quality of democracy and governance but also constrains the scope of societal progress, as half the population's potential is side-lined (Hemat *et al.*, 2022).

The challenges facing these groups are manifold and interlinked, with disabilities often compounding the difficulties of accessing essential services such as healthcare, education, and employment (International Commission of Jurists, 2023). Inadequate infrastructure, lack of tailored health programs, and limited educational resources specifically designed to cater to the needs of people with disabilities further exacerbate their exclusion (UNDP, 2023; UNDP & UN Women, 2023; Government of Lesotho, 2023b; The World Bank, 2023a, 2023b; Hemat *et al.*, 2022). Furthermore, economically disadvantaged groups, particularly those in remote and rural regions, grapple with the pervasive repercussions of inadequate infrastructure and essential services. The absence of reliable transportation, communication networks, and access to markets serves as a formidable barrier to economic activity and access to healthcare and educational services (UNICEF, 2023a, 2023b; International Commission of Jurists, 2023). These infrastructural deficiencies not only entrench poverty but also exacerbate the isolation of these communities, leaving them politically and economically marginalized.

This marginalization is further intensified for specific demographics within these communities, such as ethnic minorities and those living with HIV/AIDS, who encounter additional layers of systemic barriers. The enduring stigma surrounding HIV/AIDS, for instance, can lead to discrimination in healthcare settings, workplaces, and social interactions, effectively ostracizing affected individuals from mainstream society and exacerbating their economic and social challenges (iQvia, 2023). The intersection of poverty, disease, and discrimination creates a complex web of disenfranchisement that obstructs pathways to empowerment and equity (iQvia, 2023; UNDP & UN Women, 2023).

Methodology

The methodology employed in this study involves a thorough literature review process, systematically conducted to delve into the intricate issues surrounding Gender Equality, Equity, and Inclusivity in Lesotho, with a specific focus on their interrelation with the Sustainable Development Goals (SDGs). The review encompassed seminal documents, scholarly research, policy reports, and institutional publications pertinent to Lesotho's developmental landscape. The objective was to discern the multifaceted challenges pertaining to gender disparities, inequities, and social exclusion while examining how these factors intersect with the broader framework of SDGs. This review process served as the cornerstone for our analytical framework, enabling us to identify prevailing themes, emerging trends, and evidence-based insights. It provided the necessary groundwork to inform our study's overarching goal: delineating viable pathways towards the realization of SDGs in the context of Lesotho's unique, and highly complex, socio-economic reality.

It is important to highlight that this study adopts an exploratory and reflexive approach that is qualitative in nature. This approach is essential as it lays the foundation for a much-needed in-depth examination of the complex issues surrounding Gender Equality, Equity, and Inclusivity in Lesotho within the context of Sustainable Development Goals (SDGs). By initially exploring the qualitative aspects of these challenges, we can gain valuable insights and a nuanced understanding that will inform and guide subsequent comprehensive meta-analysis. This step is crucial in ensuring that our meta-analysis is grounded in a comprehensive comprehension of the subject matter, enhancing the validity and relevance of our findings.

Key findings

Lesotho's commitment to the 2030 Agenda for Sustainable Development is embodied in its adoption of the National Strategic Development Plan II (NSDP II), with a strategic extension until 2027/28. This plan is, in its design, fundamentally people-centred, designed to target and mitigate poverty and inequalities within the nation (Government of Lesotho, 2023b). The NSDP II is a robust framework that aligns with the Sustainable Development Goals (SDGs), focusing on uplifting the socio-economic status of its populace through comprehensive and inclusive policies. To gauge progress and recalibrate strategies, Lesotho has conducted two Voluntary National Reviews (VNRs), crucial for monitoring advancements and identifying areas needing further attention in the journey towards achieving the SDGs (Government of Lesotho, 2023b).

Despite these committed efforts, Lesotho faces significant challenges that impede its path towards sustainable development. According to The World Bank (2023b, s.p.),

“Lesotho’s greatest challenges include a high unemployment rate. The main factors inhibiting returns to labour and jobs in Lesotho are lack of skills, high burden of disease (especially HIV/AIDS and tuberculosis (TB)), poor investment climate, and lack of key infrastructure. The HIV prevalence rate in Lesotho is 25% in the adult population (15-49 years), the second highest globally. The incidence of TB stands at 724 cases per 100,000, according to the 2017 Global TB Report, the second highest.

As previously highlighted, a critical concern is the country's limited economic growth, which is compounded by a vulnerability to external and internal shocks (Sachs *et al.*, 2023; ReliefWeb, 2023; The World Bank, 2023b; Government of Lesotho, 2023b). This situation has been exacerbated by the global COVID-19 pandemic, which has not only strained the healthcare system but also led to an escalation in poverty rates. The agricultural sector, a key component of Lesotho’s economy, suffers from low productivity, while the industrial sector remains stagnant. These factors collectively contribute to the persistence of poverty and hinder the overall development process (Government of Lesotho, 2023b; World Bank, 2023b). Adding to these challenges, the global ramifications of the Ukraine war have further complicated Lesotho’s situation. The conflict has impacted global markets and supply chains, leading to increased food and fuel prices, thereby intensifying the economic pressures on Lesotho. This external shock underscores the fragility of Lesotho's economy and its susceptibility to international events.

“The war will have long term implications on the already fragile economy of Lesotho. For the country that is not food secure like Lesotho, this means food prices will soar to cover transport cost” (Pekane, 2022, s.p.)⁷.

It highlights the need for diversified and resilient economic strategies that can withstand global turbulences. Therefore, it is imperative for Lesotho to adapt its development strategies, ensuring

⁷ Quote from Interview published by Metro (2022). Russia-Ukraine war hits Lesotho hard, Retrieved 14-08-2023, at <https://www.maserumetro.com/news/business/russia-ukraine-war-hits-lesotho-hard/>.

they are robust enough to handle such multifaceted challenges, thus safeguarding its progress towards the SDGs.

1. Lesotho's approach to SDGs

Lesotho's strategic approach to the Sustainable Development Goals (SDGs) at the halfway point of their implementation timeline demonstrates a critical need for reassessment and targeted prioritization to accelerate progress (World Bank, 2023b; United Nations Lesotho, 2023). The integration of SDGs into Lesotho's National Strategic Development Plan (NSDP II) acknowledges the slower-than-anticipated progress, particularly in the pre-COVID-19 context. In 2023, the Sustainable Development Report indicated an SDG Index Rank of 143/166, and an SDG Index Score of 54.9, with several Headline Indicators marked in red [e.g., SDG 1, SDG 2, SDG 3, SDG 4, SDG 6, SDG 7, SDG 8, SDG 10, SDG 11, SDG 15, SDG 16 (Sachs *et al.*, 2023)]. This realization has led to a refined focus on enhancing data collection, monitoring, and evaluation systems. Such improvements are pivotal for accurately assessing progress, identifying areas needing urgent intervention, and informing effective policy decisions (Sachs *et al.*, 2023; Government of Lesotho, 2023b; United Nations Lesotho, 2023; United Nations, 2023, 2019).

A key aspect of Lesotho's strategy involves bolstering national capacity in research, technology, and innovation. This emphasis is crucial, as technological advancement and innovative solutions are often at the core of sustainable development. By investing in these areas, Lesotho aims to foster a conducive environment for sustainable growth and development, aligning with several SDG targets. Concurrently, strengthening legal, policy, and institutional capacities is identified as a critical requirement. Effective governance structures are essential for the successful implementation of SDG-aligned policies and programs, ensuring that initiatives are well-managed, accountable, and transparent (Government of Lesotho, 2023b).

Furthermore, Lesotho has recognized the importance of mobilizing investment, technical, and financial resources, alongside fostering strong advocacy and partnerships. This approach is vital for the successful attainment of SDGs, as it not only provides the necessary financial backing but also ensures collaborative efforts across various sectors. Partnerships, particularly with international organizations and development partners, can bring in expertise, additional resources, and innovative solutions that are vital for addressing complex development challenges (United Nations Lesotho, 2023; United Nations, 2023, 2019).

2. Strategic Imperatives and Pledges for Sustainable Development in Lesotho

In its prioritization, Lesotho has identified five central SDGs: Peace, Justice, and Strong Institutions (Goal 16), No Poverty (Goal 1), Decent Work and Economic Growth (Goal 8), Gender Equality (Goal 5), and Reduced Inequalities (Goal 10). These goals align closely with the key priorities of the NSDP II and reflect an analytical process that considers the interlinkages among different SDG targets. This process, focusing on uncovering synergies and understanding potential policy trade-offs, is instrumental in determining the most effective pathways for policy investment. By focusing on these areas, Lesotho aims to create a holistic and integrated approach to sustainable development, ensuring that progress is not only accelerated but also inclusive and equitable (Government of Lesotho, 2023b).

Collectively, these targets represent Lesotho's holistic approach to SDG implementation. This strategy not only tackles specific challenges but also interlinks various development aspects, ensuring a sustainable and inclusive pathway towards achieving the 2030 Agenda. Central to this journey is Target 5.5, focusing on bridging gender gaps in decision-making. This objective confronts the entrenched gender disparities in Lesotho as documented in the earlier part of this paper, drawing upon the comprehensive literature review (e.g., World Bank, 2023a; UNDP & UN Women, 2023). It advocates for inclusive, gender-responsive policies and digital solutions to empower women in all spheres of life. Tackling gender-based violence is integral to this goal, ensuring a more equitable social landscape for women's participation. Under Target 5.5, Lesotho is committed to advancing gender equality and women's empowerment. This includes prioritizing policies and programs that not only address gender disparities but also empower women through digital technology. These initiatives aim to enhance women's participation in the workforce, access to digital education and healthcare services, and their involvement in civic and political activities (Government of Lesotho, 2023b).

Target 8.5 aims at addressing the high unemployment rate, particularly among the youth, which is also a well-documented problem in the country (e.g., The World Bank, 2023a, 2023b; UNDP Lesotho Country Office, 2023; IMF, 2022). By fostering private sector growth, especially in micro, small, and medium enterprises (MSMEs), Lesotho can create substantial employment opportunities. This target not only focuses on job creation but also on promoting trade and economic diversification, thereby reducing poverty and inequality. The development of MSMEs in various sectors is key to driving economic growth and ensuring equitable pay for

all. For Target 8.5, the focus is on creating a more inclusive and diverse private sector, especially in the digital and agricultural domains. This includes addressing the gender gap in entrepreneurship and supporting sectors like agriculture and textiles, which are integral to Lesotho's economy. The aim is to create an environment that nurtures digital transformation, thereby fostering job creation and promoting economic diversity (Government of Lesotho, 2023b).

It is worth mentioning that Lesotho's strategic prioritization of SDG 8, particularly target 8.5, is a cornerstone of its national agenda. This target is aimed at fostering a transformative shift from poverty and inequality towards sustainable economic growth and job creation. This goal resonates with the NSDP II's vision for Lesotho's development, emphasizing inclusive growth. The interlinkages with other SDGs allow for a holistic approach, integrating strategies across different areas like gender equality (5.5), infrastructure and industrial development (9.1), income improvement for the marginalized (10.1), and public sector efficiency (16.6).

In line with Target 9.1, Lesotho recognizes the need for quality, sustainable, and resilient infrastructure to bolster economic development. The focus here is on expanding beyond the textile and apparel sector, promoting value addition in other primary sectors through improved infrastructure and technology. Such development is crucial for enhancing industry competitiveness, addressing unemployment, and capitalizing on regional trade opportunities, such as those offered by the African Continental Free Trade Agreement (Government of Lesotho, 2023b). Target 9.1 focuses on developing reliable and sustainable infrastructure. By enhancing infrastructure, Lesotho aims to boost industrialization and economic diversification, encouraging both domestic and foreign investment. This goal is also aligned with the objective of integrating Lesotho more effectively into regional and trans-border economic networks (Government of Lesotho, 2023b).

Target 10.1 concentrates on ensuring sustained income growth for the bottom 40% of the population. To achieve this, Lesotho is committed to enhancing access to quality education, health services, and equitable resource distribution. These efforts are designed to counteract the impacts of gender disparities, urban-rural divides, and environmental challenges (e.g., The World Bank, 2023a, 2023b; Hemat *et al.*, 2022; SADC, 2018; Chingono, 2016), ultimately leading to improved living standards and economic advancement for the most vulnerable segments of the population. In addressing Target 10.1, Lesotho seeks to ensure sustained

income growth for its poorest segments. Strategies include promoting agricultural commercialization, enhancing community involvement in education, and ensuring equitable access to fundamental services like food, healthcare, and education.

Lastly, Target 16.6 focuses on developing effective, accountable, and transparent institutions. Given Lesotho's history of political instability, this target emphasizes the need for comprehensive reforms to enhance government accountability and political stability. Strengthening public financial management, enhancing citizen participation in governance processes, particularly among the youth, and implementing efficient program monitoring are pivotal to achieving this goal (Government of Lesotho, 2023b).

3. Strengthening the Pillars of Sustainability: Lesotho's Strategic Roadmap for SDG Acceleration

The Government of Lesotho is actively redressing the structural underpinnings of poverty and severe inequalities in the country (World Health Organization African Region, 2023; United Nations Lesotho, 2023; UNDP Lesotho Country Office, 2023; UNICEF, 2023b; UNAIDS, 2023), namely by prioritizing the most vulnerable demographics, including women, children, the elderly, youth, and persons with disabilities, and by narrowing the rural-urban divide. The strategic deployment of an inclusive social protection program aims to bridge income disparities and enhance access to education and health services for low-income and vulnerable populations (Government of Lesotho, 2023b).

Despite these efforts, vulnerability remains a critical issue, perpetuating poverty, and inequality, with considerable intergenerational reproduction (The World Bank, 2023a, 2023b; UNDP Lesotho Country Office, 2023; IMF, 2022). The adverse economic impacts of COVID-19, characterized by stagnation in key sectors and job losses, have necessitated urgent interventions. To counter these effects, the government projects a strategic thrust toward economic transformation, targeting a reduction in the national poverty rate to 43.8% and a GINI Coefficient decrease to 0.40 by 2026/27 (Government of Lesotho, 2023b).

Central to these efforts is the fortification of the current social protection systems, making them more adaptable and encompassing. This approach is coupled with a commitment to generate productive employment that catalyses broader economic benefits and enhances the welfare of the most vulnerable. The government's affirmative stance on agriculture and food security,

pivotal for growth and job creation, involves promoting investments and mobilizing the youth and private sector engagement to diminish food insecurity and harness trade opportunities. Such strategies necessitate a skilled workforce and high human capital, which in turn require robust child nutrition programs, healthcare infrastructure, and effective governance structures to drive transformative change (Government of Lesotho, 2023b).

Lesotho's ongoing reforms are instrumental in anchoring actions towards the SDGs, with a focus on stabilizing economic and political governance to foster an inclusive and prosperous society (Government of Lesotho, 2023b; United Nations Lesotho, 2023; United Nations, 2023, 2019; Sachs *et al.*, 2023). The government is committed to establishing public digital infrastructure to expedite the adoption of digital technologies, catalyse innovation, and enhance economic sectoral performance, including skills development and public service delivery (Government of Lesotho, 2023b).

To ensure the delivery of these ambitious goals, Lesotho has established a multi-tiered National Coordination Structure. This framework features a high-level oversight committee and a steering committee chaired by the Minister of Finance and Development Planning, supported by technical working groups at various administrative levels. These entities are tasked with increasing strategic oversight, reinforcing the integration of SDGs into national planning, preparing annual progress reports, coordinating voluntary reviews, and strategizing for additional financing for the SDGs. A comprehensive system that leverages both government and societal engagement is being strengthened to mobilize national stakeholder recommitment. This coordinated approach is designed to facilitate oversight and engender a shared responsibility for the Agenda, ensuring that Lesotho advances towards the SDGs with unified resolve and targeted action (Government of Lesotho, 2023b).

Conclusions and recommendations

Lesotho's commitment to the 2030 Agenda is robustly embodied in the National Strategic Development Plan II (NSDP II), which establishes a strategic pathway until 2027/28. This plan, inherently people-centred, is crafted to tackle poverty and inequality head-on, a commitment that is evident in Lesotho's proactive engagement in two Voluntary National Reviews. These reviews are not mere formalities but pivotal tools for the nation to critically assess its progress towards the Sustainable Development Goals (SDGs) and recalibrate its strategies accordingly.

Yet, the road ahead is fraught with challenges that threaten to derail these earnest efforts. Lesotho grapples with a high unemployment rate, which is further exacerbated by skill shortages, an overwhelming burden of disease, and a climate of investment that is far from inviting. The COVID-19 pandemic and the repercussions of global conflicts have only added to the complexity, disrupting markets and supply chains, which, in turn, have intensified economic pressures within the country. This confluence of challenges underscores an urgent need for the development of resilient and diversified economic strategies, ensuring that the nation's progress towards the SDGs is not only maintained but accelerated.

In response, Lesotho needs to embark on a strategic re-evaluation to identify and prioritize actions that will catalyse the achievement of the SDGs. Central to this endeavour is the investment in research, technology, and innovation — sectors that are recognized as the engines of sustainable development. Simultaneously, there is a critical need to strengthen the frameworks of governance and legal systems that underpin these sectors. This dual approach of fostering technological advancement and reinforcing institutional integrity is vital for the creation of a resilient and forward-looking economy.

In its strategic outlook, Lesotho has identified five key SDGs that resonate with the core priorities of the NSDP II: building strong institutions, eradicating poverty, stimulating economic growth, achieving gender equality, and reducing inequalities. These goals, while distinct, are interconnected and require a holistic approach to policy formulation and implementation. An integrated policy architecture that encapsulates these goals will be instrumental in driving Lesotho towards a future where sustainable development is not a distant target but an immediate reality.

To actualize these ambitions, it is essential for Lesotho to consolidate its national coordination structure, calling for the active participation of all societal sectors. A unified and strategic approach is essential to effectively mobilize the nation towards the SDGs. It is through such collective and coordinated efforts that Lesotho can aspire to not just a sustainable future but one that ensures fairness and prosperity for all its citizens. Only then can Lesotho transform the challenges of today into the stepping stones towards a thriving tomorrow.

REFERENCES

- Bester, A. (2022). Evaluation Of Lesotho Country Programme 2019–2023. Maseru, Lesotho: UNICEF.
- Chingono, M. (2016). Women, the Informal Economy and the State in Lesotho, *World Journal of Social Science Research*, 3 (4), 629-648.
- Ferreira, S. M. (2023). Breastfeeding assessment study. UNICEF and Government of Lesotho.

Food and Agriculture Organization of the United Nations (FAO) and United Nations Children's Fund (UNICEF). Impact evaluation of Lesotho's Child Grants Programme (CGP) and Sustainable Poverty Reduction through Income, Nutrition and access to Government Services (SPRINGS) project. Retrieved 20-05-2023 at https://transfer.cpc.unc.edu/wp-content/uploads/2019/01/Lesotho-CGP-SPRINGS-Impact-Report_FINAL.pdf.

Government of Lesotho (2023a). Education. Retrieved 26-11-2023 at <https://www.gov.ls/education/>.

Government of Lesotho (2023b). 2023 National Commitment Statement On Accelerating Implementation Of SDGs, Retrieved 11-07-2023 at <file:///Users/soniaferreira/Downloads/final---lesotho-2023-national-sdg-commitment-statement.pdf>.

Hemat, S.; Smout, J. & Sijapati, B. Lesotho - Gender Assessment. Washington, D.C. : World Bank Group. Retrieved 11-07-2023 at <http://documents.worldbank.org/curated/en/099015105102231913/P1715600219ee403708dad08cff91db633>

Independent Evaluation Office UNDP (2023). Independent Country Programme Evaluation Lesotho, Retrieved 11-07-2023 at <https://erc.undp.org/>.

International Commission of Jurists (2023). Failed Implementation: Lesotho's Inclusive Education Policy and the continued exclusion of children with disabilities. Retrieved 03-09-2023 at <https://www.africaeducationhub.org/bitstream/handle/hesa/86/Lesotho-Inclusive-Education-Briefing-Paper-April-2023-FINAL.pdf?sequence=1&isAllowed=y>.

International Monetary fund (IMF, 2022). Kingdom of Lesotho: Selected Issues, Retrieved 14-09-2023, at <https://www.elibrary.imf.org/view/journals/002/2022/162/article-A005-en.xml>.

iQvia (2023). Endline Evaluation, Reporting and Documentation of the Integrated HIV & AIDS-Nutrition Programme in Lesotho, UNICEF Lesotho Country Office.

Leenknecht, F., Lerotholi, L. and Petersen, T. (2021). Lesotho Education Fact Sheets | 2021: Analyses for learning and equity using MICS data. Retrieved 12-05-2023 at file:///Users/soniaferreira/Downloads/Lesotho_MICS_EAGLE_Fact-Sheets.pdf.

Metro (2022). Russia-Ukraine war hits Lesotho hard, Retrieved 14-08-2023, at <https://www.maserumetro.com/news/business/russia-ukraine-war-hits-lesotho-hard/>.

Mphasha, M.; Makwela, M.; Muleka, N.; Maanaso, B. & Phoku, M. (2023). Breastfeeding and Complementary Feeding Practices among Caregivers at Seshego Zone 4 Clinic in Limpopo Province, South Africa, Children (Basel). 2023 Jun; 10(6): 986 ss.

Office of the Prime Minister (2018). Lesotho Zero Hunger Strategic View. Maseru: Government of Lesotho.

ReliefWeb (2023). Lesotho: IPC Acute Food Insecurity Analysis July 2023 - March 2024, Retrieved 14-09-2023, at <https://reliefweb.int/report/lesotho/lesotho-ipc-acute-food-insecurity-analysis-july-2023-march-2024-published-19-september-2023>

Sachs, J.D., Lafortune, G., Fuller, G., Drumm, E. (2023). Implementing the SDG Stimulus. Sustainable Development Report 2023. Paris: SDSN, Dublin: Dublin University Press, 2023. 10.25546/102924

SADC (2018). Gender and Development Monitor. Retrieved 12-05-2023 at https://www.sardc.net/books/BI/factsheets/SGDM_Factsheet_Lesotho.pdf.

Schwitters A, McCracken S, Frederix K, Tierney R, Koto M, Ahmed N, et al. (2022) High HIV prevalence and associated factors in Lesotho: Results from a population-based survey. PLoS ONE 17(7): e0271431. <https://doi.org/10.1371/journal.pone.0271431>.

The World Bank (2023a). Lesotho gender Landscape, Retrieved 14-08-2023, at <https://genderdata.worldbank.org/>.

The World Bank (2023b). The World Bank in Lesotho, Retrieved 14-08-2023, at <https://www.worldbank.org/en/country/lesotho/overview>.

UNAIDS (2022). UNAIDS Country Factsheet Retrieved 14-08-2023, at <https://www.unaids.org/en/regionscountries/countries/lesotho>.

UNAIDS (2023). Country: Lesotho. Retrieved 06-08-2023, at <https://www.unaids.org/en/regionscountries/countries/lesotho>.

United Nations (2023). United Nations Sustainable Development Cooperation Framework (2024-2028), Retrieved on 07-09-2023, at <https://lesotho.un.org/en/resources/publications>.

United Nations Children's Fund (2023a). Draft country programme document. Available at: <https://www.unicef.org/executiveboard/media/17016/file/2023-PL21-Lesotho-draft-CPD-EN-2023-06-13.pdf> [Accessed 3 October 2023].

United Nations Children's Fund (2023b). IT WAS JUST A STRANGE LIFE: Children's and adolescents' experiences, perceptions and opinions on the COVID-19 pandemic in Lesotho. UNICEF. United Nations Development Programme (UNDP) and the United Nations Entity for Gender Equality and the Empowerment of Women (UN Women) (2023). The paths to equal: Twin indices on women's empowerment and gender equality. Retrieved 10-10-2023, at <https://www.unwomen.org/sites/default/files/2023-07/the-paths-to-equal-twin-indices-on-womens-empowerment-and-gender-equality-en.pdf>.

United Nations Development Programme Lesotho Country Office (2023). Brief Note on Country Office Gender Equality Results, retrieved 20-07-2023, at <https://www.undp.org/sites/g/files/zskgke326/files/2023-03/UNDP%20Lesotho%20COUNTRY%20OFFICE%20GENDER%20EQUALITY%20RESULTS.pdf>

United Nations Development Programme (2020). UNDP Policy brief: Socio-Economic Impact of Covid-19 on Gender Equality and Women's Empowerment, Retrieved 14-09-2023, at <https://www.undp.org/sites/g/files/zskgke326/files/migration/ls/undp-lesotho-gender-equality---womens-empowerment----2020.pdf>.

United Nations Entity for Gender Equality and the Empowerment of Women (N/D). Lesotho Government Beijing +25 Review Report <https://www.unwomen.org/sites/default/files/Headquarters/Attachments/Sections/CSW/64/National-reviews/Lesotho.pdf>.

United Nations Lesotho (2019). United Nations Development Assistance Framework for Lesotho, 2019-2023, Retrieved 15-05-2023, at https://www.undp.org/sites/g/files/zskgke326/files/2022-10/lesotho_undaf_2019-2023.pdf.

United Nations Lesotho (2023). Our Work on the Sustainable Development Goals in Lesotho, Retrieved on 07-09-2023, at <https://lesotho.un.org/en/sdgs>.

World Health Organization (2022). Annual Report 2022. Retrieved on 07-09-2023, at <https://www.afro.who.int/sites/default/files/2023-06/WHO%20Annual%20Report%202022%20%282%29.pdf>.

World Health Organization African Region (2023). Country Disease Outlook: Lesotho, Retrieved 14-08-2023, at <https://www.afro.who.int/sites/default/files/2023-08/Lesotho.pdf>.

DEBT REPAYMENT ABILITY AS A DRIVER OF INCREASING COMPANY PROFITS

Sofie Sabrina Oktaviani

Dian Nuswantoro University, Faculty of Economics and Business

ORCID ID: 0009-0007-4350-4646

Ana Kadarningsih

Dian Nuswantoro University, Faculty of Economics and Business

ORCID ID: 0000-0003-1382-8299

ÖZET

Endonezya'nın madencilik ve sanayi sektörleri son derece hızlı bir şekilde büyümektedir. Kömür, Endonezya'da bol miktarda bulunan ve büyük kârlar sağlayan doğal kaynaklardan biridir ve bu nedenle yatırımcıları kömür şirketlerine yatırım yapmaya çekmektedir. Kömür fiyatlarındaki önemli düşüş nedeniyle 2019, Endonezya'daki kömür ihracatçıları için en zorlu dönem oldu. Kömür fiyatlarındaki düşüş, kömür fiyatlarının değerinin düşmesinden kaynaklandı ve bu da bazı şirketlerin hisselerinin düşmesine neden oldu, ancak başta kömür olmak üzere madencilik şirketlerinin tüm hisse fiyatları düşmedi. Bu çalışma, CR, NPM ve DER değişkenlerinin 2020'den 2022'ye kadar IDX'te listelenen kömür madenciliği alt sektöründeki hisse senedi fiyatları üzerindeki etkisini incelemektedir. Örneklem toplama tekniği olarak amaçlı örnekleme kullanılmış ve belirlenen kriterlere göre 18 şirketten örneklem, 216 örneklemden de ikincil veri elde edilmiştir. Kullanılan veri analizi, E-Views 10 uygulaması yardımıyla panel verilerin regresyon analizidir. Panel veri sonuçları sabit etkili bir modelin seçildiğini göstermiştir. Analiz aynı zamanda klasik varsayım testleri ve hipotez testlerini de içermektedir. Analiz, Cari Oranın hisse senedi fiyatları üzerinde pozitif yönlü ve anlamlı olduğunu göstermektedir. Buna karşılık, Net Kar Marjı ve Borç/Özsermaye Oranı negatif yönlüdür ve hisse senedi fiyatları üzerinde anlamsızdır.

Anahtar Kelimeler: Hisse Senedi Fiyatları, Cari Oran, Net Kar Marjı, Borç/Özsermaye Oranı

DEBT REPAYMENT ABILITY AS A DRIVER OF INCREASING COMPANY PROFITS

ABSTRACT

Indonesia's mining and industrial sectors are now expanding exceptionally quickly. Coal is one of the natural resources in Indonesia that is abundant and provides large profits, thus attracting investors to invest in coal companies. Due to the significant decline in coal prices, 2019 was the most challenging period for coal exporters in Indonesia. The decline in coal prices was due to the declining value of coal prices, which caused some of the companies' shares to decline, but not all share prices of mining companies, especially coal, decreased. This study examines the effect of the CR, NPM, and DER variables on stock prices in the IDX-listed coal mining subsector from 2020 to 2022. The sample collection technique uses purposive sampling and, based on the criteria that had been determined, obtained samples from 18 companies with secondary data from 216 samples. The data analysis used is a regression analysis of panel data with the help of application E-Views 10. The results of panel data found that a fixed effect model was chosen. The analysis also involves classical assumption tests and hypothesis testing. The analysis demonstrates that the Current Ratio has a positive direction and is significant on stock prices. Conversely, the Net Profit Margin and Debt-to-Equity Ratio have a negative direction and are insignificant on stock prices.

Keywords: Stock Prices, Current Ratio, Net Profit Margin, Debt-to-Equity Ratio

1. INTRODUCTION

Currently, many companies spanning many industries are listed on the stock exchange, and governmental investment regulations contribute to the public's increased demand for the capital market (Utami & Darmawan, 2018). Going public is essential for companies to increase company value because companies need a significant enough source of funding as a supporting aspect (Jannah et al., 2021). A company's total value can be determined by taking the market value of its shares traded on the capital market. One way that companies can raise money is by selling stock on the capital market. Investors must carefully watch stock prices before making any capital market investments (Jannah et al., 2021).

Indonesia's mining and industrial sectors are now expanding exceptionally quickly. The mining industry is vital in developing an economy by supplying the nation with the energy resources it needs (Amalya et al., 2018). Coal is one of the natural resources in Indonesia that is abundant and provides large profits, thus attracting investors to invest in coal companies (Auolia, 2021).

The year 2019 was the most challenging period for coal exporters in Indonesia. This is because the global pandemic caused by the COVID-19 outbreak has significantly impacted the decline in coal prices in the market. The cause of the decline in coal prices is due to weakening coal prices and high calorific value, causing the average selling price of coal to be lower (Auolia, 2021). However, when the value of coal prices falls, not all share prices of mining companies, especially coal, decrease (Amalya et al., 2018). The graph data below illustrates the average share price of coal mining companies that are listed on the Indonesia Stock Exchange (IDX) for the 2020–2022 period's first–four quarters:

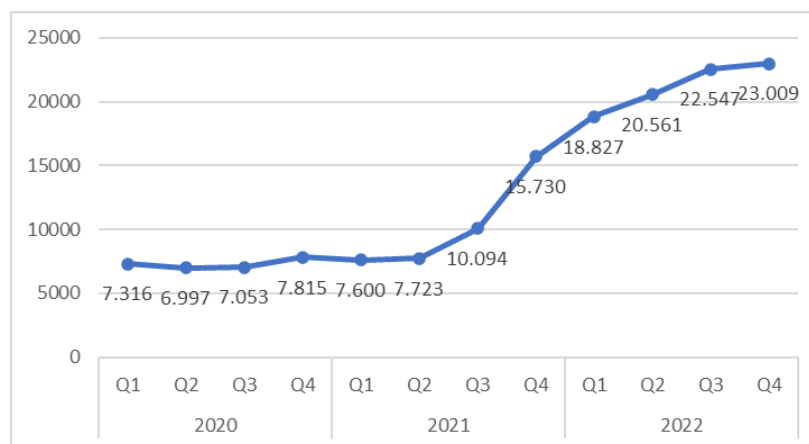


Figure 1. Average Stock Price of Coal Companies in Quarter I - IV of 2020-2022 Period

The graph above shows the fluctuating movement of stock prices in coal mining subsector companies during quarters I - IV in the period 2020-2022. This indicates that the business is doing well since its ability to profit would also boost interest in its shares. Consequently, the stock price is a proxy for a company's worth. Stock price changes are influenced by several variables, including interest rates, inflation, currency rates, firm performance, and other non-economic variables, including a nation's political climate. (Furniawan, 2021). The current ratio is one ratio that the company must pay for short-term loans that will mature (Batubara & Nadia, 2018). Net Profit Margin (NPM) is a ratio used to measure profit by comparing profit after interest and tax with sales (Andhani, 2019). While One solvency ratio utilized to ascertain how much corporate debt impacts asset management is the debt-to-equity ratio (DER) (Arif, 2021).

According to current ratio research, there is a significant effect on stock prices (Mukrimaa et al., 2016; Solihin et al., 2018; Yusnelly et al., 2022; Yustikasari & N Ari, 2022). Other results contradict previous research claiming that the Current Ratio does not affect stock prices (Hidayat & Thamrin, 2019; Lestari & Suprihhadi, 2022; Oktavia et al., 2022; Suryana & Widjaja, 2019). Other results also find that net profit margin research has a significant impact

on the stock price of a company (Mukrimaa et al., 2016; Purdianto et al., 2022; Sari et al., 2021; Sholichah et al., 2021; Sukesti et al., 2021; Suryana & Widjaja, 2019). Meanwhile, other findings from net profit margin research indicate that it has no significant effect on stock prices (Ariani, 2021; Bustani et al., 2021; Furniawan, 2021; Ilyas & Haeruddin, 2023; Silaban et al., 2022; Yusnelly et al., 2022). Thus, research has a significant effect debt-to-equity ratio on the company's stock price (Amalia et al., 2022; Hing et al., 2020; Lestari & Suprihhadi, 2022; Purwani & Kadarningsih, 2020; Zulkarnain et al., 2022). However, contrary to previous research, it claims that the Debt to Equity Ratio results have no significant effect (Auolia, 2021; Markonah & Cahaya, 2023; Pratiwi et al., 2020; Safitri & Pratiwi, 2022; Vera Charulina et al., 2023).

This study aims to determine the effect of CR, NPM, and DER on stock prices in coal mining subsector companies in the 2020-2022 period.

LITERATURE REVIEW AND HYPOTHESES

Signaling Theory

The fundamental theory for conducting research in this study is signaling theory. According to signal theory, investors can infer a company's prospects by following signs provided by management (Mangeta et al., 2019). In realizing the owner, company management provides signals in the form of information regarding what the company has done.

Stock Price

In addition to supply and demand for shares on the stock exchange, market participants set the price of stocks (Elizabeth Sugiarto Dermawan, 2019). The stock price also represents the value of a company (Furniawan, 2021). To estimate a firm's worth, one might use its stock price as a benchmark; the higher the price of the stock, the more valuable the company is (Ariani, 2021). This study used the closing/final price of the stock after the period. The closing stock price formula used is (Wianti et al., 2020):

$$\text{Stock Price} = \text{Ln}(\text{closing price})$$

Liquidity Ratio

The liquidity ratio determines the company's ability to pay off its short-term obligations that will mature (Nabella et al., 2022). In this study, the liquidity ratio used is the current ratio. The current ratio is part of the liquidity ratio, which helps determine whether the company should use its current assets to meet current (short-term) liabilities (Suryana & Widjaja, 2019). The current ratio formula used is (Firda Rismadhani & Kadarningsih, 2020):

$$\text{Current Ratio (CR)} = \frac{\text{Current Asset}}{\text{Current Liabilities}}$$

Profitability Ratio

The ability of the business to turn a profit with sales, total assets, equity, or company capital is represented by the profitability ratio (Alfan & Suprihhadi, 2020). Users of financial statements will get signals from companies related to profitability ratios regarding the prospects or conditions of the company. This study's high current ratio value, the profitability ratio employed, is Net Profit Margin (NPM). The net profit margin formula used is (Kholilah & Kadarningsih, 2022):

$$\text{Net Profit Margin (NPM)} = \frac{\text{Earning After Tax}}{\text{Sales}}$$

Solvency Ratio

The solvency ratio determines how much of the business's assets are financed by debt (Rahayu, 2021). The Debt to Equity Ratio (DER) is the solvency ratio utilized in this investigation. The equity ratio used to repay short- and long-term loans is another way to define DER (Alfiyati & Santoso, 2021). The debt-to-equity ratio calculation that can be used is (Kadarningsih et al., 2022):

$$\text{Debt to Equity Ratio (DER)} = \frac{\text{Total Debt}}{\text{Equity}}$$

Conceptual Framework

Based on the literature described aboved, the conceptual framework of this research can be seen in below:

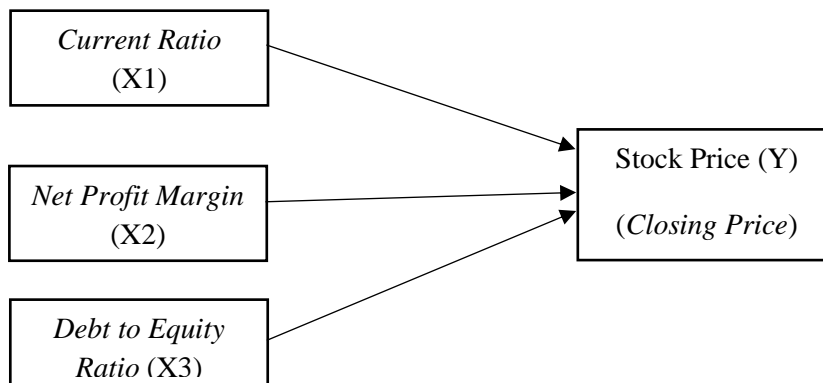


Figure 2. Conceptual Framework

Based on the conceptual framework, there are three hypoteses in this study, including:

H1: Current Ratio (CR) has a positive and significant effect on stock price

H2: Net Profit Margin (NPM) has a positive and significant effect on stock price

H3: Debt-to-Equity Ratio (DER) has a significant effect on stock price

RESEARCH METHODS

Based on this methodology, the researchers employ quantitative data, precisely information from the financial statements of mining companies operating in the coal sub-sector for three years between 2020 and 2022. The share price utilized is the closing share price as of December 31 at the end of the period. Secondary data for this study were obtained from the IDX website (www.idx.co.id), including the financial statements of mining companies listed on the Indonesia Stock Exchange in the coal sub-sector for 2020-2022. The population of this study are 24 coal mining companies that have been listed on the IDX for the 2020-2022 period with sample selection criteria comprised 18 companies that stayed for three years, from 2020 to 2022. This means that 216 company data samples were used. Panel data, a time series, and cross-section data are used in this study. Time series data is obtained from the 2020–2022 study period in quarters I–IV, while cross-section data is obtained from 18 companies. In this study, panel data regression analysis was performed using the Eviews program and a descriptive statistical analysis.

RESULTS AND DISCUSSION

Table 1. Chow Test Results

Redundant Fixed Effects Tests
Equation: EQ01
Test cross-section fixed effects

Effects Test	Statistic	d.f.	Prob.
Cross-section F	127.498822	(17,195)	0.0000
Cross-section Chi-square	538.805007	17	0.0000

It is obvious from the above results that the cross-section F probability and the cross-section Chi-Square probability are both 0.0000 <0.05. Based on the Chow test results, which indicate that the Fixed Effect model is preferable to the Common Effect model.

Table 2. Hausman Test Results

Correlated Random Effects - Hausman Test
Equation: EQ01
Test cross-section random effects

Test Summary	Chi-Sq. Statistic	Chi-Sq. d.f.	Prob.
Cross-section random	13.262207	3	0.0041

The random cross-section probability is found at 0.0041 with a random cross-section probability value <0.05 based on the abovementioned results. According to the Hausman test results, which show, the Fixed Effect Model (FEM) model is thus more appropriate for the regression equation model in this study.

Table 3. Panel Data Regression

Dependent Variable: Y
 Method: Panel Least Squares
 Date: 12/01/23 Time: 22:13
 Sample: 2020Q1 2022Q4
 Periods included: 12
 Cross-sections included: 18
 Total panel (balanced) observations: 216

Variable	Coefficient	Std. Error	t-Statistic	Prob.
C	6.723824	0.091517	73.47076	0.0000
X1	0.083047	0.037889	2.191843	0.0296
X2	-0.000543	0.000507	-1.072177	0.2850
X3	-0.003362	0.008030	-0.418657	0.6759

Effects Specification

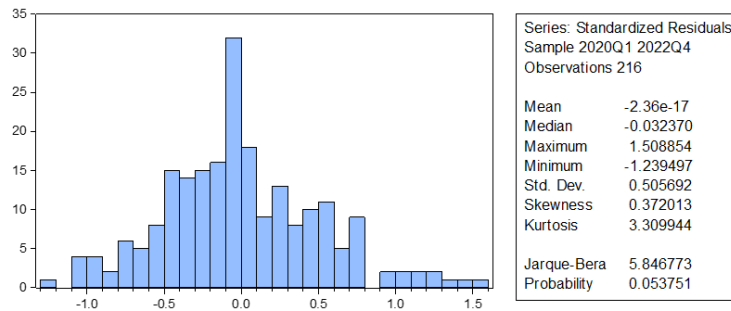
Cross-section fixed (dummy variables)			
R-squared	0.933723	Mean dependent var	6.900926
Adjusted R-squared	0.926926	S.D. dependent var	1.964292
S.E. of regression	0.530992	Akaike info criterion	1.664026
Sum squared resid	54.98074	Schwarz criterion	1.992178
Log likelihood	-158.7148	Hannan-Quinn criter.	1.796600
F-statistic	137.3609	Durbin-Watson stat	0.510183
Prob(F-statistic)	0.000000		

The following are the findings of the FEM model with inference's regression equation, based on the output mentioned above:

$$Y = 6.723824 + 0.083047X_1 - 0.000543X_2 - 0.003362X_3$$

Based on the regression model's results, the interpretation results are as follows: (1) The constant value of 6,723824 it is assumed that the current ratio, net profit margin, and debt-to-equity ratio are all fixed or equal to zero, then the stock price is 6,723824. (2) The regression coefficient value of the current ratio variable of 0.083047 indicates a positive relationship direction with the stock price. (3) The regression coefficient value of the net profit margin variable of -0.000543 indicates a negative direction of relationship with stock price. (4) The debt to equity ratio variable's regression coefficient value of -0.003362 shows that there is a negative correlation between it and stock price.

Table 4. Normality Test Results



According to the above results, the value of Jarque-Bera is 5.846773, with a probability value of 0.053751 and a value of 0.05. Thus, the probability value of $0.053751 > 0.05$ indicates that the data is normally distributed.

Table 5. Multicollinearity Test Results

	X1	X2	X3
X1	1	0.1898547773470881	-0.2256322444572995
X2	0.1898547773470881	1	-0.3035876535539513
X3	-0.2256322444572995	-0.3035876535539513	1

From the table above, the multicollinearity test results are obtained with the coefficient of correlation between variables X1 and X2 of $0.189854 < 0.80$, the coefficient of correlation between variables X1 and X3 of $-0.225632 < 0.80$, and between variables X2 and X3, the correlation coefficient is $-0.303587 < 0.80$. So, the correlation coefficient between variables is free from symptoms of multicollinearity.

Table 6. Hypothesis Test (t-test)

Dependent Variable: Y
 Method: Panel Least Squares
 Date: 12/01/23 Time: 22:13
 Sample: 2020Q1 2022Q4
 Periods included: 12
 Cross-sections included: 18
 Total panel (balanced) observations: 216

Variable	Coefficient	Std. Error	t-Statistic	Prob.
C	6.723824	0.091517	73.47076	0.0000
X1	0.083047	0.037889	2.191843	0.0296
X2	-0.000543	0.000507	-1.072177	0.2850
X3	-0.003362	0.008030	-0.418657	0.6759

Based on the above hypothesis testing results, it is possible to provide the following interpretation:

1. The current ratio (X1) test on stock price (Y) obtained a $t_{count} = 2,191843 > t_{table} = 1,971217$ with a positive path and a probability value of $0.0296 < 0.05$. As a result, it is possible to state that CR significantly influences stock prices.

2. The net profit margin (X2) test on stock price (Y) obtained a $t_{count} = -1,072177 < t_{table} = 1,971217$ with a negative path and a probability value of $0.2850 > 0.05$. As a result, NPM has no noticeable impact on stock prices.
3. The Debt to Equity Ratio (X1) test on Stock Price (Y) obtained a $t_{count} = -0,418657 < t_{table} = 1,971217$ with a negative path and a probability value of $0.6759 > 0.05$. As a result, it is possible to state that DER has no significant effect on stock prices.

Table 7. Coefficient of Determination Analysis (R^2)

R-squared	0.933723	Mean dependent var	6.900926
Adjusted R-squared	0.926926	S.D. dependent var	1.964292
S.E. of regression	0.530992	Akaike info criterion	1.664026
Sum squared resid	54.98074	Schwarz criterion	1.992178
Log likelihood	-158.7148	Hannan-Quinn criter.	1.796600
F-statistic	137.3609	Durbin-Watson stat	0.510183
Prob(F-statistic)	0.000000		

The table above shows the coefficient of determination test results obtained from the Adjusted R-squared method value of 0.926926 or 92.69%. This value means that the stock price as the dependent variable is influenced by the three independent variables (CR, NPM, and DER) by 92.69%. In contrast, other variables from this study influence the remaining 7.31%.

CONCLUSION

The study used up to 216 samples of data to assess the impact of Current Ratio (X1), Net Profit Margin (X2), and Debt-to-Equity Ratio (X3) on stock prices (Y) for companies listed on the IDX in the coal mining subsector from 2020 to 2022. The following conclusions can be drawn from the above-described research findings:

- Current Ratio (X1) has a significant positive effect on stock prices. This indicates that the company is performing well financially, as evidenced by the high current ratio value, which covers all of its short-term liabilities with its assets. When allocating their capital, investors should take this into account.
- Net Profit Margin (X2) has a negative and insignificant effect on stock prices. This indicates that as the company's NPM value declines, its performance declines and becomes less productive. Furthermore, the organization's capacity to acquire a portion of net profit has remained unchanged. As a result, investors need to be more cautious when selecting their investments.
- The Debt-to-Equity Ratio (X3) has a negative but insignificant impact on stock prices. As a result, a high DER value indicates that the company's performance is poor due to the large amount of debt owed. Consequently, the stock price and financial risk of the

company will be impacted by a high debt ratio. Investors now need to exercise greater caution when making decisions about their investments.

REFERENCES

ARTICLE

- Alfan, M., & Suprihadi, H. (2020). Pengaruh profitabilitas, leverage, dan likuiditas terhadap harga saham perusahaan indeks Lq 45. *Jurnal Ilmu Dan Riset Manajemen*, 15(ISSN 2085-1375), 44–64.
- Alfiyati, Y., & Santoso, B. H. (2021). Pengaruh Likuiditas , Solvabilitas , Dan Profitabilitas Terhadap Harga Saham Sektor Property Real Estate. *Jurnal Ilmu Dan Riset Manajemen*, 10(3), 1–17.
- Amalia, P., Sutiman, S., & Nazir, A. (2022). *The Influence of ROE and DER to Stock Price Automotive and Components Companies Listed on Indonesian Stock Exchange Between 2010 – 2020*. 2(1), 42–55.
- Amalya, N. T., Sekuritas, J., Surya, J. L., No, K., & Selatan -Banten, P. T. (2018). Pengaruh Return on Asset, Return on Equity, Net Profit Margin Dan Debt To Equity Ratio Terhadap Harga Saham Articles Information Abstract Prodi Manajemen Unpam. *Keuangan Dan Investasi*), 1(3), 157–181.
- Andhani, D. (2019). Pengaruh Debt To Total Asset Ratio (DAR) dan Debt To Equity Ratio (DER) Terhadap Net Profit Margin (NPM) Serta dampaknya terhadap Harga Saham pada Perusahaan Elektronik di Bursa Efek Tokyo tahun 2007-2016. *Jurnal SEKURITAS (Saham, Ekonomi, Keuangan Dan Investasi)*, 3(1), 45. <https://doi.org/10.32493/skt.v3i1.3262>
- Ariani, Y. (2021). Harga Saham Ritel Dalam Masa Pandemi Terkait NPM , CR Dan EPS. *Balance Vocation Accounting Journal*, 5(2), 64–77.
- Arif, M. (2021). Pengaruh Current Ratio Debt Equity Ratio Dan Total Asset Turnover Terhadap Return on Asset Yang Terdaftar Di Bursa Efek Indonesia. *Jurnal Riset Akuntansi Dan Bisnis*, 21(2), 147–161. <https://doi.org/10.30596/jrab.v21i2.7898>
- Auolia. (2021). Pengaruh Kinerja Keuangan terhadap harga saham perusahaan pertambangan batubara di BEI. *Jurnal Ilmu Dan Riset Manajemen E-ISSN: 2461-0593*, 10, 1–18.
- Batubara, H. C., & Nadia, I. P. (2018). Pengaruh Current Ratio, Return On Equity Terhadap Harga Saham Pada Perusahaan Manufaktur Yang Terdaftar Di Bursa Efek Indonesia. *Jurnal Riset Finansialfile:///C:/Users/HP/Downloads/JURNALL SEMPRO.Pdf Bisnis*, 2(2), 61–70.
- Bustani, B., Kurniaty, K., & Widyanti, R. (2021). The Effect of Earning Per Share, Price to Book Value, Dividend Payout Ratio, and Net Profit Margin on the Stock Price in Indonesia Stock Exchange. *Jurnal Maksipreneur: Manajemen, Koperasi, Dan Entrepreneurship*, 11(1), 1. <https://doi.org/10.30588/jmp.v11i1.810>
- Elizabeth Sugiarto Dermawan, S. L. (2019). Pengaruh Profitabilitas, Likuiditas, Solvabilitas, Aktivitas, Dan Kebijakan Dividen Terhadap Harga Saham. *Jurnal Paradigma Akuntansi*, 1(2), 381. <https://doi.org/10.24912/jpa.v1i2.5100>
- Firda Rismadhani, & Kadarningsih, A. (2020). Rasio Keuangan, Financial Distress Dalam Prediksi Kebangkrutan Perusahaan Manufaktur. *Kompak :Jurnal Ilmiah Komputerisasi Akuntansi*, 13(1), 154–161. <https://doi.org/10.51903/kompak.v13i2.689>
- Furniawan, F. (2021). Pengaruh Net Profit Margin (NPM) dan Earning per Share (EPS) terhadap Harga Saham. *Co-Value : Jurnal Ekonomi, Koperasi, Dan Kewirausahaan*, 12(1), 16–24. <https://doi.org/10.36418/covalue.v12i1.1220>
- Hidayat, M. S., & Thamrin, H. (2019). *Determinant of ROE , CR , EPS , DER , PBV on Share Price on Mining Sector Companies Registered in IDX in 2014 – 2017*. 4(6).
- Hing, G. T., Alamsyah, A. R., & Pradiani, T. (2020). Variabel-Variabel Yang Mempengaruhi Harga Pasar Saham Pada Perusahaan Tambang Batubara Yang Terdaftar Di Bursa Efek Indonesia. *JUBIS: Jurnal Bisnis*, 1(1), 65–85.
- Ilyas, A. A., & Haeruddin, M. I. M. (2023). *THE EFFECT OF RETURN ON ASSETS , RETURN ON EQUITY , AND NET PROFIT MARGIN ON STOCK PRICES IN FOOD AND BEVERAGE COMPANIES LISTED ON THE INDONESIA STOCK EXCHANGE FOR THE 2019-2021 PERIOD*. 2(3), 711–718.
- Jannah, R., Azus, Moh. S. A., & Rachmaniyah, F. (2021). Pengaruh Net Profit Margin, Return On Equity, Return On Asset Terhadap Harga Saham Perusahaan Pertambangan Batu Bara Yang Terdaftar Di Bursa Efek Indonesia Periode 2015-2020. *Journal of Management and Accounting*, 4(2), 92–103.

- Kadarningsih, A., Rini, I., Pangestuti, D., Kadarningsih, A., Rini, I., & Pangestuti, D. (2022). The Importance of Profitability and Dividend Policy for Indonesian State-Owned Enterprises – BUMN Average Dividend Payout Ratio. *Uluslararası{i} Sosyal Bilimler ve E{u{g}}itim Dergisi*, 4(6), 377–388.
- Kholilah, I., & Kadarningsih, A. (2022). Indonesia Finance Market, Consumer Goods Sector, Food and Beverages Industry. *Jurnal JAEMB (Jurnal Akuntansi, Ekonomi Dan Manajemen Bisnis)*, 2(2), 248–255.
- Lestari, N. E. A., & Suprihadi, H. (2022). Pengaruh Profitabilitas, Likuiditas, Dan Solvabilitas Terhadap Harga Saham Pada Perusahaan Property and Real Estate. *Jurnal Ilmu Dan Riset Manajemen*, 11(5), 1–15.
- Mangeta, S. A., Mangantar, M., & Baramuli, D. N. (2019). Analisis Return on Equity (ROE), Net Profit Margin (NPM), Dan Return on Asset (ROA) Terhadap Harga Saham Properti Di BEI (Periode 2013-2017). *Jurnal EMBA: Jurnal Riset Ekonomi, Manajemen, Bisnis Dan Akuntansi*, 7(3), 3768–3777.
- Markonah, M., & Cahaya, Y. F. (2023). *Effect of Net Profit Margin (NPM) , Return on Assets (ROA) and Debt to Equity Ratio (DER) to Share Prices in Property Companies Registered on the Stock Exchange Indonesia (IDX)*. 4(2), 227–242.
- Mukrimaa, S. S., Nurdyansyah, Fahyuni, E. F., YULIA CITRA, A., Schulz, N. D., د. غسان, Taniredja, T., Faridli, E. Miftah., & Harmianto, S. (2016). No 主観的健康感を中心とした在宅高齢者における健康関連指標に関する共分散構造分析 Title. *Jurnal Penelitian Pendidikan Guru Sekolah Dasar*, 6(August), 128.
- Nabella, S. D., Munandar, A., & Tanjung, R. (2022). Likuiditas, Solvabilitas, Aktivitas Dan Profitabilitas Terhadap Harga Saham Pada Perusahaan Sektor Tambangan Batu Bara Yang Terdaftar Di Bursa Efek Indonesia. *Measurement Jurnal Akuntansi*, 16(1), 97–102. <https://doi.org/10.33373/mja.v16i1.4264>
- Oktavia, V., Kadarningsih, A., Safitri, M., Oktavia, V., Kadarningsih, A., & Safitri, M. (2022). *The Impact of Current Ratio , Return on Assets and Company Size Toward Share Prices of Coal Companies Listed on the Indonesia Stock Exchange in 2016 - 2020*. 4(6), 0–3.
- Pratiwi, S. M., Miftahuddin, M., & Amelia, W. R. (2020). PENGARUH CURRENT RATIO (CR), DEBT TO EQUITY RATIO (DER), DAN EARNING PER SHARE (EPS) TERHADAP HARGA SAHAM PADA PT. INDOFOOD SUKSES MAKMUR Tbk. *Jurnal Ilmiah Manajemen Dan Bisnis (JIMBI)*, 1(2), 1–10. <https://doi.org/10.31289/jimbi.v1i2.403>
- Purdianto, A., Parlina Dhea, N., & Apriliani, D. (2022). *THE INFLUENCE OF NET PROFIT MARGIN AND EARNING PER SHARE ON STOCK PRICES IN VARIOUS INDUSTRIAL SECTOR COMPANIES LISTED ON THE IDX FOR THE 2015-2019*. 2(1), 243–253.
- Purwani, T., & Kadarningsih, A. (2020). *Peran Kinerja Keuangan dalam Meningkatkan Harga Saham Pada Perusahaan Go Public*. 13(2), 194–200.
- Rahayu, L. P. (2021). PENGARUH LIKUIDITAS, PROFITABILITAS, DAN SOLVABILITAS TERHADAP HARGA SAHAM PERUSAHAAN LQ-45 Triyonowati Sekolah Tinggi Ilmu Ekonomi Indonesia (STIESIA) Surabaya. *Jurnal Ilmu Dan Riset Manajemen*, 10(5).
- Safitri, N., & Pratiwi, A. (2022). *The Effect of Price Earning Ratio (PER) , Debt To Equity Ratio (DER) and Return on Asset (ROA) on Stock Prices in PT Sekar Laut Tbk .* 4(2), 220–231.
- Sari, A. N., Gulo, E., Situmorang, A. F., & Jamaluddin, J. (2021). Pengaruh Earning Per Share, Return on Equity Dan Net Profit Margin Terhadap Harga Saham Pada Perusahaan Batu Bara Yang Terdaftar Di Bei Periode 2015-2019. *SCIENTIFIC JOURNAL OF REFLECTION: Economic, Accounting, Management and Business*, 4(3), 458–464. <https://doi.org/10.37481/sjr.v4i3.324>
- Sholichah, F., Asfiah, N., Ambarwati, T., & Widagdo, B. (2021). *The Effects of Profitability and Solvability on Stock Prices: Empirical Evidence from Indonesia*. 8(3), 885–894. <https://doi.org/10.13106/jafeb.2021.vol8.no3.0885>
- Silaban, G. L., Romauli, E., Tobing, L., & Sari, I. R. (2022). Effect of Cr, Der and Npm on Changes in Profits in Coal Companies, Petroleum and Gas. *Research of Applied Science and Education*, 16(2), 220–228.
- Solihin, A., Afrizal, A., & Sulistyowati, L. (2018). *The Effect Of Price Earning Ratio , Current Ratio , Net Profit Margin And Debt To Equity Ratio On Stock Prices Of The Lq-45 Index Of The Indonesia Stock Exchange 2016-2018*. 1441–1448.

- Sukesti, F., Ghozali, I., Fuad, F., Almasyhari, A. K., & Nurcahyono, N. (2021). *Factors Affecting the Stock Price : The Role of Firm Performance*. 8(2), 165–173. <https://doi.org/10.13106/jafeb.2021.vol8.no2.0165>
- Suryana, J., & Widjaja, I. (2019). Pengaruh Current Ratio (CR), Debt To Equity Ratio (DER), Net Profit Margin (NPM) dan Earning Per Share (EPS) Terhadap Harga Saham Perusahaan Konstruksi & Bangunan yang Terdaftar di Bursa Efek Indonesia (BEI) Periode 2013-2017. *Jurnal Manajemen Bisnis Dan Kewirausahaan*, 3(5), 19. <https://doi.org/10.24912/jmbk.v3i5.6075>
- Utami, M. R., & Darmawan, A. (2018). Pengaruh Der, Roa, Roe, Eps Dan Mva Terhadap Harga Saham Pada Indeks Saham Syariah Indonesia. *Journal of Applied Managerial Accounting*, 2(2), 206–218. <https://doi.org/10.30871/jama.v2i2.910>
- Vera Charulina, Edwin Agus Buniarto, & Ririn Wahyu Arida. (2023). Pengaruh Earning Per Share (Eps), Return on Asset (Roa) Dan Debt To Equity Ratio (Der) Terhadap Harga Saham. *Jurnal Manajemen Dan Bisnis Ekonomi*, 1(1), 125–144. <https://doi.org/10.54066/jmbe-itb.v1i1.64>
- Wianti, M., Neldi, M., & Petra, B. A. (2020). *UPI YPTK Harga Saham melalui Profitabilitas sebagai Variabel Intervening* : 27–33. <https://doi.org/10.35134/jbeupiyptk.v5i2.113>
- Yusnelly, A., Suryadi, N., Irman, M., & Rusilawati, E. (2022). Analysis of The Influence of CR, ROE, NPM, EPS and DER on Stock Prices of LQ45 Index Companies Listed in Indonesia Stock Exchange From 2017-2018. *2th International Conference on Business & Social Sciences*, 846–858.
- Yustikasari, E., & N Ari. (2022). *EFFECT OF CURRENT RATIO (CR), RETURN ON ASSET (ROA), DEBT TO EQUITY RATIO (DER), EARNING PER SHARE (EPS) ON STOCK PRICES OF BUILDING CONSTRUCTION SUBSECTOR COMPANIES (J211 IDX-IC) LISTED ON THE IDX IN*. 2(1), 316–326.
- Zulkarnain, I., Sulistiyowati, N., & Info, A. (2022). *THE EFFECT OF RETURN ON EQUITY AND DEBT TO EQUITY RATIO ON SHARE PRICES IN TRANSPORTATION SUB SECTOR COMPANIES LISTED ON THE INDONESIA STOCK EXCHANGE FOR THE 2015-2019 PERIOD*. 1(6), 955–966.

AXC TARİXİNİN TƏDRİSİ METODİKASI

Miribrahim Cabbarov
Lənkəran Dövlət Universiteti
Miricabbarov@gmail.com

XÜLASƏ

Azərbaycanın çağdaş milli dövlətçilik tarixinə öz əbədi imzasını atmış Azərbaycan Xalq Cümhuriyyəti qısa müddətli mövcudluğu dövründə vətənimizin çoxəsrlik maarif və məktəb salnaməsinə də şanlı, təkrarolunmaz səhifələr yazmışdır. Azərbaycan Xalq Cümhuriyyəti 1918-ci il may ayının 28-dən 1920-ci il aprel ayının 28-ə qədər mövcud olmuşdur. AXC dövlətçilik tariximizə ilk respublika adı ilə daxil olan dövlətdir. Qısa müddətli fəaliyyəti dövründə Milli İstiqlal Bəyannaməsinə qəbul edərək dövlət müstəqilliyini elan etmiş və onun dünyanın aparıcı dövlətləri tərəfindən de-fakto tanınmasına nail olmuşdur. Azərbaycan Xalq Cümhuriyyəti xalqın milli mənlük şüurunu özünə qaytarmış, öz müqəddəratını təyin etməyə qadir və onu qorumağa, yaşatmağa layiq olduğunu əyani şəkildə sübut etmişdir. Azərbaycan Xalq Cümhuriyyəti müsəlman şərqində yaranmış ilk demokratik, dünyəvi, parlamentli dövlət olmuşdur. Azərbaycan Xalq Cümhuriyyəti tariximizin ən parlaq səhifələrindən biridir[3]. Bu baxımdan, AXC tarixinin orta təhsil müəssisələrində tədrisi olduqca vacibdir.

Ümumiyyətlə tarix fənlərinin orta məktəblərdə tədrisi şagirdlərimizin milli vətənpərvərlik ruhunda tərbiyə almasına, sağlam vətəndaş kimi formalaşmasına müsbət təsir göstərir. Çünki, şagirdlərimiz tariximizin şanlı səhifələrini oxuduqca, onlarda vətənə, millətə, dövlətə sevgi hisləri yaranır. Tariximizin faciəvi, ağırlı səhifələri şagirdlərimizdə düşməyə qəzəb hissi formalaşdırır və onlara vətəni hər an qorumaq hissini aşılayır. AXC tarixi də Azərbaycan xalqının yaratdığı şanlı tarix salnaməsidir. AXC tarixinin orta məktəblərdə tədrisini düzgün təşkil etmək lazımdır. Bu mövzunun tədrisi zamanı sinif otağında informasiya-kommunikasiya texnologiyalarının, məsələn proyektorun, kompüterin, səs ucaldıcıların, ağıllı lövhənin və s. olması zəruridir. AXC tarixini tədris edərkən müəllim xəritələrdən, sxem və cədvəllərdən, tarixi şəkillərdən, illüstrasiya vasitələrindən və s. məharətlə istifadə etməyi bacarmalıdır[1].

AXC tarixinin tədrisində arxiv sənədləri ilə, tarixi mətnlərlə iş xüsusi əhəmiyyət kəsb edir. Tarixi sənəd əsas biliklər mənbəyi olan dərsliyə köməkçi tədris vasitəsidir. Tarixi biliklər mənbələri arasında tarixi sənədlər xüsusi yer tutur. Onlar bilavasitə keçmişə aid abidələr olduğundan, öz dövründən gələcəyə miras olduğundan yüksək inandırıcılıq və sübutluluq keyfiyyətinə malikdirlər. Sənəd dövrün koloritini hiss etməyə imkan verir, keçmişin aydın obrazlarını yaratmağa şagirdlərə kömək edir, ayrı-ayrı hadisələrin müasirləşdirilməsi imkanını azaldır. Sənəd, tarixi biliklərin mənbəyi

kimi, məzmununun təhlil edilməsini, sənəddən götürülən məlumatların ümumiləşdirilməsini, habelə sənəd və məlumatlara müəyyən sinfi qiymətin verilməsini tələb edir. Sənədlərlə iş düşünməyi, mühakimə yürütməyi, məlumat əldə etməyə öyrədir. Sənədlər ictimai inkişafı ilə bağlı zəruri faktların, anlayışların və qanunauyğunluqların mənimsənilməsinə kömək edir, şagirdlərdə siyasi əqidənin formalaşmasına zəmin yaratmış olurlar. Sənədli materialın istifadəsi keçmiş və müasir hadisələri nəzərdən keçirərkən şagirdlərin təfəkkürünü aktivləşdirir, təhlil və sintezin aparılmasına kömək edir. Sənədlərin müstəqil təhlili şagirdləri sanki tədqiqat işinin elementar vərdişləri ilə silahlandırır, tarixi mənbələrin tənqidi surətdə dərk edilməsinə şərait yaradır. Bu baxımdan AXC tarixini tədris edərkən müəllim şagirdlərə mövzu ilə əlaqəli tarixi sənədləri tanış etməlidir[2].

AXC tarixinin tədrisi zamanı əyani vasitələrdən biri olan xəritələrdən geniş istifadə olunmalıdır. Xəritələr vasitəsilə şagirdlər Azərbaycan Xalq Cümhuriyyətinin sərhədlərini öyrənəcək, onun əhatə etdiyi ərazilərlə tanış olacaqdır. AXC tarixini tədris edərkən müəllim böyük tarixi şəxsiyyətlərimiz olan Məhəmməd Əmin Rəsulzadə, Fətəli xan Xoyski, Əlimərdan bəy Topçubaşı, Nəsim bəy Yusifbəyli, Həsən bəy Ağayev, Səməd bəy Mehmandarov, Əliağa Şıxlinski və s. haqqında şagirdlərə geniş məlumat verməlidir. Şagirdlər anlamalıdırlar ki, həqiqətən də bu böyük tarixi bizlərə həmin ziyalılarımız bəxş etmişlər. Müəllim əyani vasitələrdən istifadə edərək həmin şəxsiyyətlərin hər biri şagirdləri tanış etməlidir. Azərbaycan Xalq Cümhuriyyətinin tədrisində video materiallarda xüsusi rol oynayır. Bildiyimiz kimi, AXC tarixi ilə bağlı ölkəmizdə tarixi filmlər, sənədli filmlər çəkilmişdir. Proqrama uyğun olaraq həmin filmlərdən bəzi fraqmentlərin şagirdlərə nümayiş olunması məqsədəuyğundur. Bütün bu əyani vasitələr, metod və üsullar şagirdlərin mövzunu daha dərinləndirən mənimsəməsinə, daha mükəmməl qavramasına səbəb olacaqdır.

Açar sözlər: AXC, de-fakto, əyani vasitələr, arxiv sənədləri, xəritə.

Ədəbiyyat

1. "Azərbaycan tarixi" fənni üzrə 9-cu sinif üçün metodik vəsait. Bakı, Şərqi-Qərbi, 2020. 192 s.
2. Mübariz Əmirov, Tam orta məktəbdə tarixin fəal/interaktiv təlimi metodikası. Bakı, 2011. 707 s.
3. Nəsiman Yaqublu, Cümhuriyyət qurucuları. Bakı, "NURLAR" Nəşriyyat-Poliqrafiya Mərkəzi, 2018. 503 s.

İDİOMLARIN KONTEKSTDƏN TƏXMIN EDİLMƏSİ YOLU İLƏ TƏDRİSİ

Vüsalə Əliyeva

Lənkəran Dövlət Universiteti, Azərbaycan

XÜLASƏ

İdiomlar ötürdükləri hərfi mənanı olduğu kimi daşımayan, həm şifahi, həm də yazılı nitqdə tez-tez rast gəlinən məcazi ifadələr olduğundan, onların anlaşılması və istifadəsi dil öyrənənləri xüsusi lüğət öyrənmə problemi ilə üzləşdirir. İdiomların komponentlərinin hərfi mənası adətən imkan vermir ki, onların ifadə etdiyi məna müəyyən olunsun. Məsələn, “to kick the bucket” və “to bite the dust” idiomlarının “ölmək” mənasına gəldiyini təxmin etmək çətin görünür. İdiomatik ifadələrin mənasını araşdırarkən ən çox nəzərə alınmalı aspektlərdən biri də şübhəsiz ki, kontekstdir. Belə ki, öyrənənlərin idiomları nəinki başa düşmələrini, həm də onlardan istifadə etməyi öyrənmələrini təmin etmək üçün idiom nümunələrini kontekstdə, məsələn, idiomun mənasının aydın olduğu sadə söhbətlərdə təqdim etmək daha məqsədəuyğundur. “To give someone a hard time” idiomunu əks etdirən aşağıdakı dialoqu nümunə göstərmək olar:

Juan: Hey, Sarah, you look sad. What's up?

Sarah: Well, I didn't play very well today during volleyball practice and my teammates were not very understanding. They said I was clumsy and had to focus more on the game. They said a 5-year old girl could play better than me.

Juan: Oh! I'm so sorry they gave you such a hard time.

Kontekstdən təxmin etmək olur ki, “to give someone a hard time” “kimisə tənqid etmək, incitmək, pis hiss etməsinə səbəb olmaq” mənalərini verir.

Müxtəlif fitonimlərin işləndiyi idiomlar kifayət qədər çoxdur. Belə fitonimlərin metaforlaşaraq yeni semantik məna daşıyıb kontekst daxilində işlədilməsinə nəzər salaq. Onlardan biri “bean” –“lobya, paxla”fitonimidir.

Every bean has its black. (=Hər kəsin bir eybi var, hər şeyin qaranlıq tərəfi var.)

Bu idiom insanları qüsurları qəbul etməyə və özlərini və ya başqalarını çox sərt mühakimə etməməyə təşviq edir. Aydındır ki, lobyanın iri yarpaqları olduğundan, bitkinin yarpaqları arasında hər şeyi olduğu kimi görmək mümkün deyil. Kontekstdə də bu semantik çalarlılığı görə bilərik:

Ye hae had your ain time o't, Mr. Syddall: but ilka [every] bean has its black and ilka path has its puddle... and it will just set you henceforth to sit at the board end as weel as it did Andrew lang syne." (W. Scott, 'Rob Roy' ch. XXXVIII)

“Bean” fitoniminin olduğu digər idioma nəzər salaq.

“To spill the beans” (=“Sirri ağzından qaçırmaq”, “sirri vermək”)

Stop being so coy. Just spill the beans!” (= “*Bu qədər çəkingən olma. Sirri aç*”)

İdiomlar metaforikdir və çox vaxt yalnız cümlədəki sözlərə əsaslanaraq başa düşülə bilməz. Onun istifadəsini və yaranma səbəbini əvvəlcədən bilmək lazımdır. Bu idiomun mənşəyi də çox güman ki, paxlalardan istifadə olunduğu qədim yunan səsvermə prosesindən irəli gəlir. İnsanlar iki rəngli lobyadan birini vazaya qoyaraq, səs verərdilər. Ağ adətən “bəli”, qara və ya qəhvəyi rəng isə “xeyr” demək idi. Kim lobyayı töksə, seçkinin gizli nəticələri nəzərdə tutulmamışdan əvvəl üzə çıxaracaqdı. Deməli, paxlanın tökülməsi məxfi məlumatların açılması ilə bağlıdır.

İdiomlar və ya idiomatik ifadələr bir xalqın dilinin əsas vacib hissələrindən biridir. Onlar həmçinin bir insanın həmin dildə bəlağətli danışmaq qabiliyyətini göstərdiyinə görə ikinci dil öyrənmək üçün əsas hesab olunurlar. Bununla belə, mürəkkəbliyinə görə onlar ikinci dil üçün böyük problem yaradırlar. Buna görə də, şagirdlərin cümlənin və ya mətnin kontekstinə əsaslanaraq idiomların mənasını təyin etməyi öyrənmələri vacibdir.

Tələbələrə bu bacarığı inkişaf etdirməyə kömək edə biləcək bəzi fəaliyyətlərə aşağıdakılar daxildir:

1. Context Clues (Kontekst ipucuları) cümlə və ya mətndəki söz və ya ifadələrə istinad edir ki, bu da sözün və ya ifadənin mənası haqqında ipucu verir. Müəllim şagirdlərə idiomları ehtiva edən mətn verə və onlardan idiomun mənasını müəyyən etməyə kömək edə biləcək kontekst ipucularını vurğulamağı xahiş edə bilər. Məsələn, “She’s been feeling blue lately,” cümləsindəki “feeling blue” sözünün mənasını ifadə edən kontekst ipucuları “she” və “lately”dir.

2. Role playing (Rol oyunu) öyrənməni əyləncəli edən əyləncəli bir fəaliyyətdir. Müəllim şagirdlərə idiomların siyahısını verə bilər və sonra hər bir şagirddən deyimi demədən ifa etməyi xahiş edə bilər. Məsələn, əgər tələbənin “kick the bucket” idiomu varsa, o, yıxılıb ölmüş kimi davranma bilər.

3. Fill in the Blanks (Boşluqları doldur) Bu fəaliyyətdə müəllim içərisində idiom olan bir cümlə təqdim edir, lakin ifadə boşluqla əvəz olunur. Tələbələr daha sonra cümlənin kontekstində mənə kəsb edəcək variantlar siyahısından düzgün idiomu seçməlidirlər. Məsələn, “I’m sorry, I can’t come to your party, I have to _____ the bullet and work overtime.”

4. Illustrated Idioms (İllüstrasiya edilmiş idiomlar) Müəllim şagirdlərə idiomların siyahısını verə və onlardan idiomun mənasını yadda saxlamağa kömək etmək üçün nümunə yaratmağı xahiş edə bilər. Məsələn “a piece of cake” idiomu üçün tələbə tort kəsən və gülümsəyən birinin şəklini çəkə bilər.

Neticədə, bu fəaliyyətlər tələbələrə idiomları öyrənmək üçün əyləncəli və cəlbedici bir yol təqdim edir və onlara cümlənin kontekstinə əsasən onların mənasını müəyyənləşdirməyə kömək edir. İdiomlar üçün müxtəlif kontekstlər təqdim etməklə, tələbələr deyimlərin mənasını və istifadəsini daha dərindən başa düşə bilirlər ki, bu da onlara daha yaxşı ünsiyyət qurmağa kömək edəcək.

ORTA MƏKTƏBDƏ AĞQOYUNLU DÖVLƏTİNİN TƏDRİSİ SXEM VƏ CƏDVƏLLƏRDƏ

Nasirzadə Nurana

Lankaran State University, master

ORCID ID: 0000-0001-6820-8092

Açar sözlər: Otluqbeli döyüşü, sxem və cədvəllər, xəritə-sxem, Uzun Həsənin “Qanunnaməsi”
, Soyurqal

Tarix dərslərinin tədrisində təlimə köməkçi vasitələrdən biri də sxem və cədvəllərdir. Hərbi yürüşləri, döyüşləri, sosial-iqtisadi münasibətləri, şəxsiyyətlərin müqayisəsini sxem və cədvəllərdən istifadə etmədən ötürmək olmaz. Həmçinin şagirdlərin bilik və bacarıqlarını yoxlamaq üçün müəllim şagirdlərə mövzu üzrə əldə etdikləri məlumatları sxem və cədvəllərlə nümayiş etmələrini tələb edə bilər. Sxem və cədvəllər tarixi hadisələrin kəmiyyət və keyfiyyət fərqləri barədə aydın təsəvvürlər formalaşdırmaq üçün ən ideal vasitədir. Sxem və cədvəlləri orta məktəbdə Ağqoyunlu dövlətinin tədrisi mövzusunda tətbiq edərək bir çox məsələləri onların köməkliyi ilə izah edə bilərik. Ağqoyunlu hökmdarı Uzun Həsəni daxili və xarici siyasəti baxımından Qara Yusif və ya Cahansahla, həmçinin Ağqoyunlu Yaqub padşahla eyləvenn diaqramında fərqli və oxşar tərəflərini müqayisə edərək Uzun Həsənin şəxsiyyəti barədə bir çox müsbət və mənfi keyfiyyətləri aydınlaşdırmaqla bilərik. Uzun Həsənin “Qanunnaməsini” əhatə etdiyi məsələlər üzrə cədvəl halında nümayiş etdirə bilər, həmçinin digər bir hökmdarın qanunnaməsi ilə müqayisə edə bilərik. Azərbaycan tarixinin feodalizm dövründə xidmət müqabilində verilən fərqli torpaq mülkiyyəti formalarını Ağqoyunluların xidmət müqabilində verdiyi “Soyurqal”-la müqayisə edə bilərik. Məsələn Səfəvilərdə Tiyul xüsusi hallarda yalnız şahın əmri ilə irsən keçdiyi halda, Ağqoyunlularda soyurqal irsən keçirdi. Ağqoyunlu dövlətinin zəifləməsinin səbəblərini ümumiləşdirib cədvəl halına salmaq olar. Bu səbəbləri siyasi və iqtisadi olmaqla qruplaşdırmaq olar. Ağqoyunlu dövlətinin xarici siyasətini də müxtəlif tərəflər üzrə cədvəllərdə qruplaşdırmaq olar. Ağqoyunluların Osmanlı dövləti ilə münasibətləri, Avropa dövlətləri ilə münasibətləri, Teymurilərlə münasibətləri üzrə olmaqla həm ümumiləşdirmələr, həm də müqayisələr aparmaq üçün sxem və cədvəllərdən istifadə etmək olar. Xəritə-sxemlərin də tədrisdə - xüsusən də tarix fənninin tədrisində rolu böyükdür. Hər bir döyüş özünəməxsus taktiki gedişata, texniki vasitələrə, coğrafi məkana və qoşun sayına malikdir. Xəritə - sxemlər döyüşün bu xüsusiyyətlərini aydınlaşdırmaqda əvəzsiz rol oynayır. Məsələn: Otluqbeli (Tərcan) döyüşündə coğrafi məkənin əlverişsiz olmasını, döyüşün taktiki gedişatını, Osmanlı qoşununun texniki vasitələr baxımından üstünlüyünü qavramadan Osmanlı qoşununun qalibiyyətini əsaslandırmaqla bilmərik.

A MULTI-FACETED APPROACH TO UNDERSTANDING FACTORS INFLUENCING TECHNOLOGY USE IN EDUCATION

DR. RASHEEDUL HAQUE

ORCID ID: 0000-0001-8170-5413

MAHSA University, Malaysia

DR. ABDUL RAHMAN BIN S SENATHIRAJAH

ORCID ID: 0000-0001-6044-9051

INTI International University, Malaysia,

NOORLIZA BINTI MD NOORDIN

MAHSA University, Malaysia

KHARMEYNI A/P JUMBULINGAM

MAHSA University, Malaysia

Ayma Fatima

Integral University, Lucknow, India

Ana Fatima

Aligarh Muslim University, India

ABSTRACT

This study aims to critically review the existing literature on technology use intention in educational settings, with a particular focus on the Technology Acceptance Model (TAM) and the Unified Theory of Acceptance and Use of Technology (UTAUT) (Ajzen, 1991). The study aimed to identify areas of potential oversimplification, gaps in understanding, and avenues for future research, in pursuit of a more nuanced, holistic, and balanced understanding of technology use intentions within the diverse and complex domain of education (Haibin et al., 2022). The findings of this study offer several theoretical implications that could help to extend, refine, and enrich existing academic literature, particularly in the context of technology adoption in education (Almonawer et al., 2023). The majority of studies have adopted theoretical frameworks such as the Technology Acceptance Model (TAM) and the Unified Theory of Acceptance and Use of Technology (UTAUT) to explore this phenomenon (Francis et al., 2023). These theories, founded on psychological and sociological premises, propose that variables such as Perceived Usefulness, Perceived Ease of Use, Performance Expectancy, Effort Expectancy, Social Influence, and Facilitating Conditions significantly affect technology acceptance and usage (Khalil et al., 2023).

This study set out to explore multiple dimensions of technology use in educational settings, with an emphasis on the intention-behavior gap, social and cultural influences, and the views of various stakeholders (Wan et al., 2023). Using frameworks like TAM and UTAUT as a base, the study aimed to go beyond existing literature by examining a more nuanced set of variables and relationships, thereby paving the way for a deeper theoretical understanding of technology

adoption in education (Wai et al., 2024). The study significantly contributes to existing theory by extending TAM and UTAUT models to include social and cultural contexts, as well as identifying variables contributing to the 'intention-behavior gap' (Lee et al., 2023) From a practical standpoint, educational policymakers and administrators can leverage these findings to design more effective technology integration strategies that take into account the complex interplay of social, cultural, and individual factors (Haque, 2014).

Like all research, this study had its limitations, including the cross-sectional nature of data collection and the focus primarily on positive predictors (Fei et al., 2024). Future research should aim for longitudinal designs, involve more diverse variables and stakeholders, and delve deeper into the negative aspects of technology use in education (Osman et al., 2024).

Keywords: Intention, Educational Institutions, Technology Acceptance Model, Implications.

REFERENCES:

- Ajzen, I. (1991). The theory of planned behavior. *Organizational Behavior and Human Decision Processes*, 50(2), 179-211.
- Almonawer, N., Althonayan, A., Al-Ainati, S., Al-Hammad, F., Haque, R., Senathirajah, A.R.B.S. (2023). Transformational Leadership In Secondary Schools: Kuwait Case Study. *International Journal of Operations and Quantitative Management*, 29(1), p.51-67.
<https://submissions.ijocm.org/index.php/ijocm/article/view/160/5>; DOI: 10.46970/2022.29.1.4
- Fei, L.K., Isa, A.M.M., Sigdel, B., Senathirajah, ARBS., Al-Ainati, S., Haque, R., & Devasia, S.N. (2024). Factors Affecting Talent Retention to Ensure Sustainable Growth in the Automation Industry in Penang Free Industrial Zone. *Kurdish Studies*, 12(1), pp. 3122-3143. www.KurdishStudies.net; DOI: <https://doi.org/10.58262/ks.v12i1.226>
- Francis, U.O., Haque, R., Senathirajah, ARS., Al-Hunaiyyan, A., Al-Ainati, S., Farha Zafira Agos Lokman, FZL., & Isa, M.M. (2023). The Impact of Digital Marketing on Consumer Purchasing Behaviour. *International Journal of Operations and Quantitative Management*, 29(2), p.378-405.
<https://submissions.ijocm.org/index.php/ijocm/article/view/246/100>; DOI: <https://doi.org/10.46970/2023.29.2.18>
- Haibin, P., Senathirajah, A.R.S., Connie, G. & Haque, R. (2022). Investigating Pull Factors in International Tourist Travel Motivation: An Empirical Analysis on the Malaysian Tourism Industry. *Baltic Journal Of Law & Politics*, 15(2), p.564-576.
<https://versita.com/manuscript/index.php/Versita/article/view/510/627> (DOI:10.2478/bjlp-2022-001034)
- Haque, R. (2014). Consumer Shopping Behavior in Rural and Urban Areas of India: A Study Report, *Asian Journal of Technology & Management Research (AJTMR) An International Refereed Journal of Technology & Management Research*, 4(2), July – Dec 2014, pp.1-7,
<http://www.ajtmr.com/archives.aspx>
- Khalil, M.I., Haque, R., Senathirajah, ARS., Al-Ainati, S., Alkhatib, H., Ahmed, S., & Chowdhury, B. (2023). An Analysis Of Structural Path Modeling Of CSR Dimensions With The Mediation Effect Of Customer Demand & Satisfaction On Revisit Intention. *International Journal of Operations and Quantitative Management*, 29(2) p.406-430.
<https://submissions.ijocm.org/index.php/ijocm/article/view/247/101>;
<https://doi.org/10.46970/2023.29.2.19>
- Lee, P.X., Senathirajah, ARS., Al-Ainati, S., Isa, A.M.M., Haque, R., Krishnasamy, H.N., Parameswaran, S., & Devasia, S.N. (2023). Factors Influencing Job Hopping Behaviour Amongst Finance Professionals: Towards Improving Employment Policy. *International Journal of Operations*

and Quantitative Management, 29(2), p.360-377.

<https://submissions.ijoqm.org/index.php/ijoqm/article/view/238/96>; DOI:

<https://doi.org/10.46970/2023.29.2.17>

Osman, Z., Senathirajah, ARS., Rasheedul Haque, R., & Ibrahim, I. (2024). A Structural Equation Modelling Approach on Determinants of Working Adults' Choice to Further Study in Malaysian Online Distance Learning Higher Education Institution. *Educational Administration: Theory and Practice*, 30(1), pp:20-31. <https://kuey.net/article-view/?id=673>;

DOI: <https://doi.org/10.52152/kuey.v30i1.673>

Wai, L.C., Isa, A.M.M., Bhandari, P., Senathirajah, ARS., Haque, R., Devasia, S.N., Ramasamy, G., Krishnasamy, H.N., Al-Hunaiyyan, A. (2024). Factors Influencing Job Satisfaction to Ensure Sustainable Growth amongst Family-Owned Organizations in Malaysia. *Kurdish Studies*, 12(1), pp. 3144-3173. www.KurdishStudies.net; DOI: <https://doi.org/10.58262/ks.v12i1.227>

Wan, T.S., Senathirajah, ARS., Haque, R., & Connie, G. (2023). A Structured Equation Modelling Study On Factors Influencing Students' Choices Of Private Institutions Of Higher Education. *International Journal of Professional Business Review*, 8(5), p.1-17 (e01501).

<https://openaccessoj.com/JBReview/article/view/1501>

DOI: <https://doi.org/10.26668/businessreview/2023.v8i5.1501>

ADSORPTION KINETICS OF REMOVING DIAMOND GREEN B FROM WASTEWATER USING RECYCLED FRUIT SHELLS

Assoc. Prof. Dr. Rozina Khattak

Department of Chemistry, Shaheed Benazir Bhutto Women University, Peshawar 25000, Pakistan

A coloured material that forms a chemical bond with the substrate it is applied to is called a dye. Fundamentally, dyes are chemical compounds that may cling to surfaces or materials like fabrics to produce colour. The majority of dyes are complex chemical blends that have to endure a range of circumstances, including detergent effects. Their discharges into the hydrosphere are one of the main sources of pollution because of their obstinacy. As a result, the water will acquire an undesirable tint, blocking sunlight and shielding aquatic life from it while also endangering biological and photochemical processes. Many concerns about the usage of dyes have been raised by their harmful effects. As adverse effects, chromosome breaks, mutagenesis, pulmonary toxicity, and cancer have all been reported. As a result, it is better to concentrate on particular techniques and technologies for eliminating various colours from various wastewater streams. In this work, the adsorption kinetics in an aqueous media were proven and the Diamond Green B dye was removed by biosorption.

EFFECTIVENESS OF E-LEARNING PROGRAM IN PREVENTING WATERPIPE SMOKING IN ADOLESCENT FEMALES IN WESTERN IRAN BY APPLICATION OF THE PROTOTYPE-WILLINGNESS MODEL: A RANDOMIZED CONTROLLED TRIAL

Saeid Bashirian

Social Determinants of Health Research Center, Professor, Hamedan University of Medical Sciences, Hamedan, Iran

Elahe Ezati*

PhD in Health Education & Promotion, Assistant Professor, Asadabad School of Medical Sciences, Asadabad, Iran

ABSTRACT

Introduction: Given the increasing trend of Water pipe (WP) smoking in adolescent females, it is necessary to use effective educational strategies in preventing WP smoking in developing countries. Therefore, this study was conducted to determine effectiveness of e-learning program in preventing WP smoking in adolescent females in west of Iran using prototype-willingness model.

Study Design: A randomized controlled trial.

Methodology: This study was performed on 221 adolescent females in Kermanshah city. Multistage random sampling was used in this study. Data collection tool included a researcher-made questionnaire based on prototype-willingness model. E-learning-based intervention program included 5 training sessions. Participants were followed up for 3 months after the intervention. The data were analyzed using SPSS 22 software.

Results: Mean scores of attitude, subjective norms, prototype, intention, and behavioral willingness structures were similar in both experimental and control groups before the educational intervention. But after educational interventions, mean scores of structures of positive attitude towards WP, subjective norms about WP smoking, positive prototype about WP smokers, intention, and behavioral willingness towards WP smoking were decreased in the experimental group. Also, frequency of WP smoking was decreased in the experimental group compared to the control group after the educational intervention ($P=0.003$).

Conclusion: Results of the present study showed that the use of e-learning-based interventions is an educational strategy for reducing WP smoking in adolescent females.

Keywords: Adolescent, Female, Water pipe smoking.

Biography

Elahe Ezati has completed his PhD Health Promotion Hamedan University of Medical Sciences,

I am an assistant professor of health promotion

I have published many articles on tobacco prevention with my colleague Professor Saeed Bashirian.

I am a member of the Association for the Promotion of Health and have done many projects with the World Health Organization.

Presenting author details

Full name: Elahe Ezati

Contact number:989189296695

Twitter account:.....

Linked In account:...

Section:Pervention and control

Category: (Oral presentation)

**SCHOOL COMMITTEE SYSTEM: A TOOL TOWARDS SCHOOL
EFFECTIVENESS IN OYO STATE**

**ABIMBOWO
Yusuff Olatunji
MATRIC NO: 210603EMT010**

**BEING A SEMINAR PAPER SUBMITTED TO THE DEPARTMENT OF
EDUCATIONAL MANAGEMENT AND COUNSELLING, FACULTY OF
EDUCATION, AL-HIKMAH UNIVERSITY ILORIN, NIGERIA IN PARTIAL
FULFILLMENT OF THE REQUIREMENTS FOR THE AWARD OF MASTER'S
DEGREE (M.Ed) IN EDUCATIONAL MANAGEMENT**

**SUPERVISOR
DR. O.B AYOKU**

TABLE OF CONTENTS

Abstract
Introduction
Theoretical Framework
Concept of Committee
Concept of School Committee System
Dimensions of School Committee System
Concept of School Effectiveness
Challenges of School Committee System
Measures and Prospects of School Committee System
Conclusion
Suggestions

REFERENCES

ABSTRACT

School committee system has contributed to the effectiveness and efficiency of school administration by the competent school administrators. It focuses on school committee system: a tool towards school effectiveness in Oyo State, theoretical framework, concept of committee, concept of school committee system and dimensions of school committee system. Based on this, it was concluded that to understand the contribution of school committee system in enhancing the quality of education there is a need to have a competent and devoted school administrator that will ensure that these committees are highly effective and efficient towards the attainment of educational goals. It is suggested that, attempt should be made to look

critically into the extent to which school committee system to the educational system in Nigeria's secondary schools serve as a determinant of learning outcomes and school effectiveness.

Keywords: School Committee System and School Effectiveness

INTRODUCTION

Principals as administrators of second-tier of education in the educational system are the chief executives of their secondary schools, their administrative roles include, planning, organizing, controlling coordinating, reporting and budgeting. An administrator has to execute what he has planned or forecast. In other words, both principals and subordinates should work as a team in order to be very effective and efficient in running of the school activities. In this view, principals of schools must demonstrate high morale, effectiveness and efficiency in their administrative responsibilities. This is a characteristic of effectiveness i.e. the extent to which the observed behavior is congruent with bureaucratic expectations held for the role. Principals are leaders of their schools. Babalola (2016) described the principals as those at the helm of secondary schools, the world over showing the way and influencing others think in like manner or in a particular way.

It implies that for a principal to be an effective principal he should be democratic in his leadership style, hence no meaningful achievement or productivity can be achieved where there are acrimonies and conflicts. Furthermore, principals' administrative effectiveness connotes efficiency, which means managing scarce resources prudently so as to achieve maximum output or production. However, efficiency can mean productivity if the personal needs of the staff is satisfied. Peretomode (2010) viewed that belongingness refers to the extent to which role expectations are congruent with need dispositions or personal needs. It means that the degrees of needs of individuals are congruent to effectiveness of principals, which is in itself efficiency as by-product of productivity. The implication is that except staffs who constitute the labor force of production are given good maintenance, otherwise there may be poor production hence the school administrative effectiveness is organizational-oriented.

According to Besong (2017), organization or school requires effectiveness in terms of output both internally and externally. In other words, the school effectiveness may mean his disciplinary management but without human relations. School effectiveness connotes their capacity to coordinate much often conflicting social energy in a single organization (i.e.,

secondary schools inclusive) adroitly so that they shall operate as a unity. Management as a concept has also been variously defined by experts, educationists and researchers in the field of management. Management as a process of delimiting an organization into structural levels, arranging workers and activities into performance units and coordinating resources and production procedures through appropriate leader behaviours to achieve organizational goals. However, the concept of management in education deals with the co-ordination and utilization of resources both human and materials for the accomplishment of educational objectives. As such management of complex community such as the secondary schools will definitely require participation through the school committee system (Hornby, 2011).

The use of school committee involves dispersing responsibility because as democratic establishment, universities' decisions must reflect the opinion of a cross section of the staff and students if such decisions are to be acceptable to all concern (Nwaokolo, 2018). This explains why many institutions in the country have established many committees to assist management in arriving at useful and meaningful decisions that could facilitate the proper management and growth of the university system. School committee in the secondary schools can be formed in the areas of supervision, student discipline, welfare, admission, promotion, finance etc. utilization of committee system would go a long way in achieving secondary schools mission and vision statement at a given point in time. The secondary schools management will be able to achieve greater success when other staff are involved in carrying out some activities at a given point in time.

Ajayi and Ayodele (2012) opined that the school effectiveness conceptualized as community that gives much attention to the use of committee in order to attain institutional effectiveness. The use of the school committee system in the management of secondary schools is of great importance and requires that the right person(s) be used. The choice of the right person(s) should depend on their skill, ability and positions in the organization.

Theoretical Framework

This paper is anchored on Maslow's (1954) time management theory known as the 'Pickle Jar Theory' of Time Management

This time management theory is really about prioritization. One should focus on the big stuff and the smaller entities are sorted out in the process of dealing with the big ones. The above time management theory is corroborated by Likert (1960), using his eponymous scale to

identify four time management systems which he calls the 'Linking Pin Theory'. The theory states that when the individual time of all role actors in an organization are pooled together, such that every member knows what every other member is doing at any given time, a group time is formed. That is, a participative time management system such as this enhances supervision and higher productivity. Time is saved when information and communication is free - flowing between the leader and the subordinates. When the leader's time is synchronized into the group time and vis-à-vis, a higher sense of loyalties, motivation, trust, belongingness, collegiality, and achievement drive is greatly enhanced. Likert concludes that employee-centred time management is more productive than management-centred time because time supervision is minimal when it is employee-centred and leads to higher commitment on the part of the followership to impress and not to disappoint the leadership. Finally, task prioritization and categorization is used as a time-saving administrative strategy.

Abari (2005) developed a paradigm on the symbiosis of official time management and personnel administrative task performance of principals. He avers that efficient time management translates into ample opportunity in deploying school personnel into various areas of school need. According to Abari (2005), school personnel resources include learners, teachers, parents, non-teaching staff and other stakeholders which will contribute to the smooth running of an educational enterprise. He recommends ad-hoc or standing committees as time saving devices drawn from the various school personnel itemized above to take decisions and perform personnel task on behalf of the principal. This is expected to fast-track action which hitherto would have been trapped while pending the principal's attention. Thus, personnel commitment and loyalty is encouraged when school personnel see themselves as teamwork with the principal and not working for the principal.

As it would be expected, a lackadaisical attitude to time management by an unassuming principal in dealing with the five basic core routine administrative tasks such as supervision, monitoring, decision making, appraisal and evaluation will translate to incompetence and inefficiency. Whereas, every task must be performed within its own time, no excuse is acceptable for non-performance of a task within its own time and space. Private time on the other hand which is expended on child/ward parenting, community/neighbourhood relations, extended family issues, social engagements, domestic chores, private studies/self development and leisure/recreational activities amongst others must not be allowed to be an anathema to the lofty ideals of administrative task performance. Time as an entity is the same for all and sundry

in equal measure. The rich does not have more of it than the poor. Time is the same for the urban and rural dweller. The strongest and the weakest among men have equal time at their disposal. The best principal and the not too good principal are not different in their allocation of time.

Concept of Committee

The growing popularity of the needs for collective efforts in most organizations nowadays has made the argument for the use of committees more plausible. Obayan (2012) posited that committee is a vital ingredient for effective administration of educational institutions and maintained that collaborative effort that gives administrators, educators and other stakeholders the opportunity to deal with complex educational issues as a group. Cotton (2015) equally stressed that a democratic method of school management that allows employees, particularly academic staff in any decisions that affect them through committee system utilization, contributes significantly to administrative effectiveness of college of education.

Scholars, right from the medieval periods, were reported to have practiced consultative and inclusive leadership system in the decision making, now referred to as the committee system utilization (Adebayo, 2017). In those periods, they were allowed to study, write and consult one another on various issues and thus develop a participatory form of government in their various institutions of learning. The extent to which school administration is based on committee system was also pointed out by Bunza (2019) that virtually all issues, no matter how big or small is considered by a committee, which either takes final decision or sends its recommendations to an approving authority.

Alabi, Mustapha, and Abdulkareem (2012) stated that committee is the key advantages of participatory decision making broadened support and acceptance, easier coordination and communication, culminating in improved decisions. Ijaiya (2000) also noted that the visible sign of delegation, especially in Nigerian colleges of education, is the increasing use of committees. Though the use of committees is not new in schools, what is however novel is their increasing popularity. Within the school system, committees in existence vary in their types, status and procedures of their constitutions. Adebayo (2017) maintained that a committee may either be a line or staff committee depending on its authority. If the authority involves decisions affecting subordinates responsible to it, it is a line committee. If the authority's relationship to a superior is however advisory, it is a staff committee.

The committee has been variously defined by various authors and researchers. Adebayo (2017) defined committee system as elected or deputed members to examine, utilize, consider and report on any business referred to them. Nwachukwu (2008) viewed committee system utilization as a group of people assemble together to take action with effective utilization on an administrative task. These are groups, which are set-up to help and put effective utilization in the administration of college of education in some key functional areas in the organization in order to accomplish the set goals. Ijaiya (2000) considered committee as an instrument for achieving coordination and exchange of information between different departments and sectors of an organization. Committee is a sub-group within an organization formally brought together to advise managers on course of actions to make legitimate decisions on special issues. Committee is one of the main instruments of school administration. Committee system shares the following characteristics:

- (i) With common explicit purpose
- (ii) With formal authority delegated by the boss; and
- (iii) With the need to come together to share views and take decision on behalf of the authority that employed them.

Concept of School Committee System

The committee system has a very long history. The Biblical accounts show that committee system has been in existence from time immemorial. The scripture portrayed that Moses had to select a group of people or subordinates to help him towards achieving the goal of leading people to the Promised Land. A group of twelve men were selected to help him assess the Promised Land and give him feedback. This selected committee was to go through the Promised Land, see its people, resources and provide feedback to the leader (Moses) so as to devise a means of achieving their goals of reaching the Promised Land. He equally selected some group of elders to help in sharing his burden of administering the people when the burden of the administration was too much on him and he was getting less efficient on the job.

Some researchers, such as Adebayo (2017) and Ijaiya (2000) traced the origin and development of school committee system to the Medieval Period. According to Adebayo (2017), during the Medieval Times, people were reported to have practiced consultative system of decision making, which is now referred to as the committee system. During this period, people were engaging in all sorts of consultations and participations in decision making process.

In our contemporary world, committees are intensively and increasingly used as an efficacious administrative mechanism. In virtually all complex human organizations, committees are the instruments used to achieve co-ordination of activities and sharing information among the various departments and divisions in the organization.

According to Ijaiya (2000), cited in Alabi, Mustapha and Abdulkareem (2012), the observable sign of delegation especially in our secondary schools is the dramatic upsurge in the rate at which school committees are utilized to achieve the fundamentals of the school system. Although, its utilization is not new, its persistence and continuous spread is the major point of concern. According to Alabi, Mustapha and Abdulkareem (2012), there is virtually a school committee system for every aspect of educational system. He further stated that school committee system remains an acceptable forum where all members of school community have a stake in the welfare of the students.

The concept of school committee system has been severally defined by different authors and researchers. According to Thomas (2014), school committee system is a broad elected or deputed members to examine, consider and report on any business referred to them. Committees are any group interacting in regard to a common explicit purpose with formal authority delegated by an appointing executive. School committee system is a group of people assembled together to take action on an administrative tasks. In other words, they are set up to perform certain specialized tasks in school system. Nwaololo (2018) reiterated that school committee system is a sub-group within an organization formally brought together to advice managers on course of action to make legitimate decision on special issues.

Bunza (2019), examination committees as school committee system is the main committee that monitors all activities relating to examinations in order to prevent examination malpractices and other activities. According to Thomas (2014), there are three fundamental characteristics of every committee system. These are: (i) every committee system has explicit purpose; (ii) every member of the committee system has formal authority delegated by the boss; and (iii) every member of the committee system has the need to come together to share views and take decision on behalf of the authority that employed them.

The scope and the meaning of school committee system has been expanded by Dauda (2010). Dauda (2010) added that school committee system is a system of selecting, electing or co-opting members into small unit of large body to study issues or problems and make

recommendations to a large body. The use of school committee system was informed by the fact that committee make a better decision than an average individual. This means that school committee system is a fundamental form of decentralization. The management review (1995) presented a seemingly all-inclusive definition of committee system. Accordingly, committees are set-up to share in administration and to advise on policy matters, welfare, promotion, coordination and maintenance of rules and regulation, acts, ideas and decision.

According to Alabi, Mustapha and Abdulkareem (2012), school committee system could be defined as a group of members of an organization selected or appointed by the head to share in administration through advice on policy matters, supervision as well as coordination of activities, implementation of approved lines of actions and responsible to the head that selected or appointed them. Adebayo (2017) distinguished line school committee system from staff committee system. According to him, a committee may either be line or staff depending on its authority. If the authority involves decision affecting subordinates responsible to it, it is a line committee. If the authority's relationship to a superior is however advisory, it is a staff committee. Examples of line committees are: the Governing Council, the management committee, academic board, school advisory board/council. Staff committees include: junior staff appointment committee, senior staff disciplinary committee.

Dimensions of School Committee System

The dimensions of school committee system include the following;

Instructional Supervision Committee

Supervision can be categorized into namely instructional and personnel supervision. The supervision of instruction is one of the indispensable functions for the effective operation of a good school system, the phase of school administration, which focuses primarily upon the achievement of the appropriate expectation of the educational system (Nwankolo, 2018). Peretomode, (2010) defined instructional supervision committee as all those activities undertaken by a group of people in the school system, which are designed to improve instruction at all levels of school enterprise. Similarly, it is seen as behaviour officially designed by the organization that directly affects teachers' behaviour in such a way to facilitate students' learning and achieve the goals of the organization.

Instructional supervision committee is an improvement of teaching and learning process for the utmost benefit of the child. They went further to explain that instructional supervision

helps to interpret and put into practice the latest findings of educational research. They also assumed that teachers have the resources, which are to be tapped, and it is the function of the instructional supervision to help to help discover these for the ultimate benefit of the child. Instructional supervision is also said to be concerned with problem solving aimed at assisting the teachers to know their problems and find the best solution to them.

Disciplinary Committee

The word 'discipline' is derived from the Latin word 'disciplinere', which refers to teaching and learning. It is closely associated with the term "discipline" which means to follow or study under an accepted leader. Literally, the word 'discipline' implies a method of training one's mind or body or controlling one's behaviour. It also connotes one's ability to control one's behaviour or one's life. Technically, discipline may be defined as a code of life in accordance with rules and regulations where two or more persons are working together. This indicates that discipline means maintenance of conditions to efficient achievement of the school set goals. Indiscipline means non-conformity with the societal values and norms. The ability to respect constituted authority, to obey established laws and regulations and to maintain acceptable social habits and norms of behaviour is referred to as discipline (Obayan, 2012)

The disciplinary committee signifies the presence of some form of orderliness where there is the existence of an enforcer. A school or an environment does not exist in vacuum, and children are not born with any culture but are born into a culture; people have long been aware of cultural differences among societies, and the ways of life and interaction of diverse social groups. Amongst the features of cultural interactions are languages, social thought, spirituality, mode of dressing etc. Disciplinary committee ensures that cultural aspects of human behaviour are not biological based or conditioned but are acquired solely through learning and environmental interactions. Also, cultures are equally developed according to priorities and values; hence, children's disciplines are an integral aspect of Nigeria's native cultures as disciplines seem to emanate from home. Nakpodia (2017) stated that disciplinary committee is a system of guiding the individual to make reasonable and responsible decisions. What emerges from these viewpoints is that discipline in the school may be seen as the exhibition of the spirit of right conduct by students and teachers in conformity with societal norms and school regulations which help in the smooth running of the school.

Staff Welfare Committee

Welfare is a corporate attitude or commitment reflected in the expressed care for employees at all levels, underpinning their work and the environment in which it is performed. Edmond (2014) asserted that staff welfare committee ensures in providing social club and sports facilities as appropriate, supervising staff and works' canteens, running sick clubs and savings schemes; dealing with superannuation, pension funds and leave grants, making loans on hardship cases; arranging legal aid and giving advice on personal problems; making long service grants; providing assistance to staff transferred to another area and providing fringe benefits (such as payment during sickness, luncheon vouchers and other indirect.

Staff welfare can be traced to the industrial revolution in European countries. Managers throughout the world have used it to enhance workers' performance. Staff welfare was an effect of the industrial revolution on workers working conditions. The social effects of the industrial revolution on workers were at times inhuman as it made their daily life to be arranged by factory hours in order to increase employee productivity. Staff welfare emerged from early empirical considerations addressed by social practitioners to more theoretical concerns by industrial economists, factory owners and behavioral scientists before being put aside through the shift of interest from industrial relations to present day human resources management.

Concept of School Effectiveness

In context to the study, a principal is the head teacher of a school, especially the second tier of education (Hornby: 2011). "In addition, they are internal supervisors of their schools for effective production and adherence to rules and regulations of education in the country as well as in the region. It implies that the principals constitute the management cadre of Educational activities for efficiency through human and material resources in order to achieve the goals or objectives of education within his managerial armpits or jurisdiction.

Hornby (2011) defined administration as the activities that are done in order to plan, organize and run a business, school or other institutions. However, administrative is connected with organizing the work of business or an institution. In other words, an effective principal is also responsible in assigning subjects or courses to his academic staff according to their disciplines or areas of specialization. Effectiveness is the ability to plan, organize and coordinate many and often-conflicting social energies in a single organization so adroitly (Besong, 2017). It implies that, it is the right and duties attached to an individual irrespective

of the gender of the incumbent. Effectiveness is equivalent to achievement muted by incumbent administrator or principal of secondary school. It implies that, it is an antecedent of function or role's achievement of the principal. It could be identified as a plan proposed in advance and accomplished later but within a stipulated time or duration of school.

Uche (2012) identified effectiveness in a series of his studies related to effectiveness, that it is a symbol of good administrative style of the incumbent, team work, morale or motivation of staff, good teaching conducive social climate and counseling as well as rules and regulations. The principal's ability to control and maintain school facilities, initiates projects and completes both the new ones and also those abandoned by his predecessor(s) is exemplary of effectiveness. Equally, monitoring performance regular staff meeting, interaction, encouraging staff participation in decision-making is an evident of effectiveness but when the principal is all-wise, seems more knowledgeable, there is bound to be a disparity in the school at such, the staff may not be productive.

Challenges of School Committee System

Committee system can be hampered by a number of factors. Some of these factors are explained succinctly in this sub-section according to Bosker and Scheerens (2019),

- (a) **Shortage of Staff (Teachers):** in most of secondary schools today, there are problems of inadequacy of teachers; and this has an inherent capacity to hamper the utilization or adoption of committee system in our secondary school. This is because; there is the need for enough and competent teachers to man each of the school committee established by the school administration in order to ensure effective service delivery in the schools. These committees include disciplinary committee, sport committee, finance committee, examination committee, and so on.
- (b) **Shortage of funds:** It has been observed that, our schools (both Primary and Secondary) are poorly funded. Most of the schools' projects and programmes are financed by the internally generated funds. There is no gain-saying the fact that the school committee system has cost implication. Therefore, there is the need for proper funding of our school so that the school administration would fund the committees established in order to ease the school committees are properly funded, they would perform their assigned duties efficiently.

- (c) **Inadequacy of Competent Teachers:** For effective administration of our schools, there is the need for the competency of school committees; and school committees cannot attain competency if its members are not competent. This underscores the primary of competent members in each of school committee. However, there is shortage of competent teachers in our schools. This represents a major challenge to effective utilization or adoption of committee system in our schools.
- (d) **Poor Administration of Committee System by Principals:** some school Principals are not adequately and effectively managed the school committee perhaps, because they, themselves, are less competent. Principals' competency is essential for the effective utilization and adoption of committee system in our secondary schools and even primary schools.

Measures and Prospects of School Committee System

School effectiveness research has its roots in quantitative sociological input-output studies and economic research on educational production functions Bosker and Scheerens (2019), The second wave of school effectiveness research emphasized 'process' rather than 'input' correlates of school output and employed in general more in-depth investigation of relatively small samples of schools. The main outcomes of this period of school effectiveness research still dominate practical thinking on school effectiveness: many school improvement projects have tried to implement these findings, with varying degrees of success

The field of school effectiveness research is plagued by many methodological and technical research problems (Bosker & Scheerens, 2019). Apart from these problems, which involve seeking an appropriate way of conducting this kind of empirical research, there is very little theory on school effectiveness. Despite a growing consensus on 'what works in education', there are relatively few theoretical explanations available regarding the question 'why things work in education'. In addition to integrating school and instructional level variables in empirical research, conceptual models are needed which can serve as frameworks for hypothetical explanations of relationships between various levels of analysis of educational systems. By examining the overall structure of a multilevel school effectiveness model and by further specifying some of the basic substantive ingredients of this model, most notably instructional variables and organizational and contextual conditions. Five school characteristics are repeatedly mentioned in the literature as malleable correlates of educational achievement.

These are: -strong educational leadership -high expectations of student achievement, emphasis on basic skills, a safe and orderly climate and frequent evaluation of students' progress.

Conclusion

In order to understand the contribution of school committee system in enhancing the quality of education there is a need to have a competent and devoted school administrator that will ensure that these committees are highly effective and efficient towards the attainment of educational goals. It was concluded that the utilization of the committee system in public secondary schools has effects on the effectiveness of principals. If properly utilized, it has the potential of enhancing the administrative performance of the principals.

Suggestions

The following suggestions are put forward;

- i. Attempt should be made to look critically into the extent to which school committee system to the educational system in Nigeria's secondary schools serve as a determinant of learning outcomes and school effectiveness.
- ii. The public school administrators should ensure and use the school committee system as a panacea for effective administration. By doing this, the set goals of school will be highly attained.
- iii. School administrators, government and school proprietors should try to re-examine and bring to focus the importance of the use of the school committees as an effective tool in the administration of secondary school system.
- iv. The public school administrators should endeavour to involve their staff in the administration through the use of committee.

REFERENCES

- Adebayo, G. A. (2017). Administering colleges of education via the committee system. *African Journal of Educational Management*, 5, (1), 109 – 155
- Ajayi, I. A. & Ayodele, J. B. (2012). *Fundamentals of Educational Management*. Ado-Ekiti, Greenline Publishers
- Alabi, A. T., Mustapha, A. I. & Abdulkareem, A. Y. (2012). "Utilization of Committee System and Secondary School principals' Administrative Effectiveness in Ilorin Metropolis." *Journal of Education and Practice*, www.iiste.org.
- Babalola, J. B, A. O, Adedeji, S.A, Suleiman, A.A & Arikewuyo, M.O. (2016). *Educational Management*. Codat Publications. Ibadan
- Biobaku, L. A. (2016). Teacher socialization and professionalization in Nigeria in L.O. Ocho & B.S. Okeke (eds.) *Dynamics of educational administration and management*. Awka: Meeks Publishers
- Bosker, R. J., & Scheerens, J. (2019). *Criterion choice effect size and stability. Three fundamental problems in school improvement*. Lisse: Swets and Zeitlinger
- Bunza, M. M. (2019). *University management: The Nigerian experience*. Sokoto: University Press.

- Cotton, J. L. (2015). *Participation's effect on performance and satisfaction*. New York: Saga Publishers
- Dauda, D. G. (2010). Committee versus centralized system of managing higher institutions. Paper presented at the National Seminar organized for the Registrars of Colleges of Education, Minna, Niger State.
- Edmond, R. (2014). *Effective schools for the urban poor educational leadership*. London: Macmillan Publishers
- Hornby, G. B. (2011). *Principals' Social Skill; a tool for achieving school effectiveness*. New York: Mc Grand- Hill Companies
- Ijaiya, N. Y. S. (2000). *Delegation of authority in school management*, In S. Ogunsaju & F. Durosaro (Eds.) *The craft of educational management*. pp. 93-105. Ilorin: Indemac Publishers.
- Nwankolo, J. J. (2018). *Fundamentals of management information system*. Ibadan: Spectrum Publishers.
- Nwaololo, K.I.N. (2018). Measures of library effectiveness in Nigerian polytechnic libraries with emphasis on user satisfaction. Unpublished thesis, Ph.D. University of Ibadan. P.86.
- Obayan, P. (2012). *Revitalizing education in Africa*. Ibadan: Stirling Publishers
- Peretomode, V. F. (2010). *Educational Administration: Applied Concept and Theoretical Perspectives for Students and Practitioners*. Joja Educational Research
- Uche, S. C. (2012). Climate for Excellence Schools that Boster Self Discipline: A Paper Delivered at the 2nd Quadrennial conference of the Nigerian Union of Teachers (NUT), Cross River State on 18th January 2001. University of Calabar, Calabar.

EFFECT OF CHROMIUM (CR) ON PHASE TRANSFORMATION BEHAVIOR OF FE-20MN-6SI SHAPE MEMORY ALLOY

Engr. Junaid Khan
Engr. R. A. Rahman
Dr. Shahid Mehmood
Engr Rehman Khan

Mechanical Engineering Department, University of Engineering and Technology, Taxila, Pakistan

ABSTRACT

This study investigates the effect of Chromium (Cr) on the phase transformation behavior of Fe-20Mn-6Si shape memory alloy (SMA). The use of additive manufacturing (AM) to metals and alloys creates previously unreachable possibilities, but it also presents a number of challenges related to microstructure design, which is especially problematic when dealing with functional materials like shape memory alloys (SMA). The experimental methodology involved the fabrication of Fe-20Mn-6Si-5Cr alloy, followed by analysis of their microstructural characteristics and phase identification of material. Scanning Electron Microscopy (SEM) with energy-dispersive X-ray spectroscopy (SEM-EDS) was used to explore microstructural features, revealing compositional variations across different sections of the alloys. Concurrently, X-ray diffraction (XRD) analysis, utilizing a Siemon (SIETRONICS) XRD SCAN instrument, elucidated the crystalline phases present in the alloy. Noteworthy observations include the detection of diffraction peaks at 2θ angles of 34.637 and 43.877 degrees, indicative of specific crystallographic planes in the alloy's structure. The SEM results illuminate the evolution of microstructural features during the phase transformation processes, shedding light on the role of chromium in effecting nucleation and growth mechanisms. While XRD patterns highlighted variations in phase distribution. These findings underscore the multifaceted influence of chromium on the alloy's phase transformation characteristics and microstructure. The integration of SEM-EDS and XRD techniques offers valuable insights into the alloy's composition-structure-property relationships, facilitating its optimization for diverse application.

Keywords : Shape Memory Alloy, Fe-SMA, SEM, XRD

GREENING THE FUTURE: EARLY EDUCATION AND SUSTAINABLE LIVING IN THE ERA OF CLIMATE CHANGE

Chidheka D

Third year, BCOM Finance and Accountancy Department of Professional Studies
CHRIST (Deemed to be University), India

Dr. Priya J

Assistant Professor

Department of Professional Studies CHRIST (Deemed to be University), India

ABSTRACT

Climate change has thrust us into a defining moment, where the consequences of shifting weather patterns and rising sea levels are felt globally and on an unprecedented scale. As Mahatma Gandhi aptly remarked, "Earth provides enough to satisfy every man's need, but not every man's greed." Burning fossil fuels, deforestation, and intensive livestock farming significantly contribute to the greenhouse effect, exacerbating global warming. Shifting weather patterns imperil food production, while rising sea levels escalate the risk of catastrophic flooding, underscoring the global and monumental nature of climate change. Generating electricity and heat by burning fossil fuels causes a large chunk of global emissions, but most electricity is still generated by burning coal, oil, or gas. Manufacturing and industry produce emissions, mostly from burning fossil fuels to produce energy for making things like cement, iron, steel, electronics, plastics, clothes, and other goods. A large chunk of global greenhouse gas emissions are linked to private households. Our lifestyles have a profound impact on our planet. The wealthiest bear the greatest responsibility: the richest 1 percent of the global population combined account for more greenhouse gas emissions than the poorest 50 percent.

Adopting sustainable living practices and advocating for a comprehensive strategy that encompasses education, individual responsibility, and global cooperation. Respecting and safeguarding green spaces assumes a pivotal role in mitigating environmental degradation, reducing consumption and waste, making informed investments in renewable energy, and minimizing plastic usage. Beginning with early education, focusing on instilling sustainable habits in children within the home environment results in a reduction in climate change getting worse. The adults must not merely preach but actively practice sustainable behaviors to serve as exemplary role models.

EXTENSION OF V-ANALOGUE GAMMA FUNCTION WITH PROPERTIES

Salah Ud Din

Institute of Numerical Sciences Kohat University of Science & Technology Kohat–26000 Khyber
Pakhtunkhwa, Pakistan 2023

ABSTRACT

The extension of factorial function to non-integer numbers is the gamma function. It has application in physics and statistics because it manifests itself in the normalization constant of important probability models. The gamma function has recently undergone a number of definitions from various researchers. Each expansion also brought about the development of related Pochhammer symbols. The allied Pochhammer symbol and a new expanded v-analog gamma function are presented in this study. We talk about a few of their mathematical attributes, such the different integral representations they have, formula derivatives, recurrence relations, sine and cosine fourier transform, etc. Many unique cases are also taken into consideration.

Chapter 1 Introduction 1.1 Introduction Recently, different researcher introduced different generalization and extensions of some special function e.g different extensions of gamma, beta, Mittag-Leffler, hypergeometric, and Wright Bessel, etc, have been introduced. For more details, reader is referred to as [1– 4]. To extend the factorial to non-integer values. Swiss mathematician Euler (1707-1783) discovered the traditional gamma function. In a collection of distinct transcendental function, the gamma function is considered. It has uses in several kinds of domains, such as definite integration, asymptotic series, hypergeometric series, and other as well. A measure of the importance and ubiquity of the gamma function is that Edelyi et al. [5] offer it the centre stage in their exhaustive discussion of the unique function. Davis [6] puts the gamma function in a masterful historical context. Martin [7] he develops his elementary theory as a function on the real line in a wonderful exposition, the unifying theme of which is the solution of the functional equation. Whittaker and Watson [8] provide an extensive treatment of the complex argument gamma function. [9] In the last three decades, various extended forms of classical gamma functions have been introduced by various researchers and mathematicians. Among these, some of the extended gamma functions and their associated Pochhammer symbols are defined by various researchers. Chaudhry and Zubair [10] presented an extended gamma function and Srivastava et al [11] presented another extended gamma function involving a modified Bessel function and its associated Pochhammer symbol. Safdar et al. [12] defined an extension of the classical gamma function and the associated Pochhammer symbol including

the Mittag-Leffler function. Properties and applications of a new extended gamma function involving confluent hypergeometric functions defined in [13]. Furthermore, we dealt with the integral representation of the generalized extended gamma function, its properties and the associated Pochhammer symbol, which is written as a gamma function. A new special function known as the expanded gamma function is introduced as a broadening of the gamma function defined for one complex variable. It is defined for two complex variables and a positive integer, and several significant analytical properties, including regularity, are thoroughly examined. asymptotic expansions and analytic continuations. The generalised incomplete gamma function, which is a modification of the incomplete gamma function, is also introduced as a function that has a strong connection to the generic gamma function. [14] Various authors introduce as associated with conventional gamma functions. The gamma function is the most critical nonelementary transcendental function, and this claim is not hyperbole. Numerous fields, including hypergeometric series, asymptotic series, definite integration, Riemann zeta function, L -functions, and general number theory, contain it. Euler introduced the gamma function, which was subsequently investigated by many distinguished mathematicians, especially Daniel Bernoulli, Legendre, Gauss, Liouville, Weierstrass, and Hermite. In examining the gamma function, whose enters the domain of special transcendental functions, we will notice that some well-known mathematical constants appear. Furthermore, it may be found in a variety of fields, such as number theory, Riemann zeta function,

AZƏRBAYCANIN XİLASI-QAFQAZ İSLAM ORDUSU THE FREEDOM OF AZERBAIJAN – CAUCASIAN ISLAMIC ARMY

Lətafət Beybutova Ələsgər qızı

Quba şəhərində “Soyqırımı Memorial Kompleksi”
Elmi araşdırmalar, ekspozisiya və fond şöbəsinin müdiri

Açar sözlər: dövlət, erməni-bolşevik işğalı, Türkiyə-Azərbaycan birliyi,

Ermənilər Çar Rusiyası tərəfindən Azərbaycan ərazilərində yerləşdirildiyi gündən etibarən dövlət yaratmaq uğrunda ardıcıl söyləri bir an belə səngiməmiş, nisbətən əlverişli tarixi şərait yarandıqda isə bu söylər daha da yüksəlmişdir. Erməni millətçilərinin “böyük Ermənistan” dövləti yaratmaq xülyası, Azərbaycan türklərini kütləvi surətdə məhv etmək, yaşadıkları yurdlarından qovub çıxarmaqla həmin ərazidə ermənilərin sayca üstünlüyünə nail olmaq və beləliklə, "milli çoxluğun" dövlətini yaratmaq ideyasını reallaşdırmaq planı idi. Bu planın həyata keçirilməsini qarşılıqlarına məqsəd qoyan ermənilər xarici himayədarların köməyi ilə müxtəlif vaxtlarda azərbaycanlılara və türklərə qarşı dəhşətli terror, deportasiya, soyqırımı və etnik təmizləmə siyasəti həyata keçirmişlər. Erməni millətçiləri tərəfindən davamlı olaraq təcavüzkarlıq siyasətinə məruz qalan Azərbaycan xalqı öz tarixi torpaqlarından didərgin salınmış, qaçqın və məcburi köçkünə çevrilmişlər. Ermənilər Azərbaycan torpaqlarında dinc əhaliyə qarşı qətl və qarətlərlə yanaşı, tarixi binalar, məscidlər yandırılmış, maddi-mədəniyyət nümunələrini də məhv etmişlər.

1917-ci il oktyabr çevrilişindən sonra ermənilər öz iddialarını bolşevik bayrağı altında həyata keçirməyə başlamışdılar. 1918-ci ilin martında Stepan Şaumyan Qafqazın fəvqəladə komissarı təyin edilərək Bakıya göndərildi. Həmin vaxtdan “Əks-inqilabi ünsürlərlə mübarizə” şüarı altında maskalanaraq, daşnak-bolşevik Şaumyanın rəhbərliyi ilə Bakı Kommunası Bakı şəhərini azərbaycanlılardan təmizləmək kimi mənfur bir planı həyata keçirməyə qalxmışdı. 1918-ci il martın 30-dan aprelin 3-dək Bakıda və Bakı quberniyasının müxtəlif bölgələrində, eləcə də Qarabağ, Naxçıvan, Şamaxı, Quba, Xaçmaz, Lənkəran, Salyan, Zəngəzur və digər ərazilərdə Bakı Soveti qoşunlarının və daşnak erməni silahlı dəstələrinin azərbaycanlılara qarşı soyqırımı nəticəsində rəsmi mənbələrə əsasən on minlərlə soydaşımız məhz etnik və dini mənsubiyyətinə görə qətlə yetirilib, yaşayış məntəqələri, tarixi abidələr, məscid və qəbiristanlıqlar viran edilib. 1918-ci il martın 31-də Bakı şəhərində azərbaycanlıların kütləvi qırğınına başlanılıb. Dinc azərbaycanlıların qırğınında Bakı Sovetinin 6 min silahlı əsgəri, eyni zamanda, “Daşnaksütyun” partiyasının 4 minlik silahlı dəstəsi iştirak edib. Üç gün davam edən soyqırımı zamanı erməni silahlıları bolşeviklərin köməyi ilə azərbaycanlıların yaşadıkları məhəllələrə qəflətən basqınlar edərək rastlarına çıxan uşaqdan böyüyədək hər kəsi qətlə yetiriblər. Tarixi faktlardan belə görünür ki, ermənilər “böyük

Ermənistan” dövləti yaratmaq arzusunu həyata keçirə bilməsələr də, **1918-ci ildə Azərbaycan torpaqlarında– keçmiş İrəvan xanlığının ərazisində Ermənistan Respublikasının yaradılmasına** nail oldular.

1918-ci ilin may ayının 28-də Azərbaycan Xalq Cümhuriyyəti elan olunandan sonra xarici qüvvələr onun devrilməsi üçün bütün imkanlardan istifadə etməyə çalışarkən Osmanlı Türkiyəsinin göstərdiyi hərbi və siyasi yardım milli dövlətçilik tariximizdə çox mühüm rol oynadı. Bakıda hakimiyyəti ələ keçirmiş Stepan Şaumyanın başçılıq etdiyi daşnak-bolşevik rejiminin Azərbaycanın türk-müsəlman əhalisinə qarşı həyata keçirdiyi kütləvi soyqırımının qarşısını almaq və Azərbaycan xalqının müstəqilliyini qorumaq üçün Osmanlı Türkiyəsi və Azərbaycan silahlı qüvvələrindən təşkil edilmiş hərbi struktur Azərbaycan Xalq Cümhuriyyətinin elan edildiyi günlərdən 1918-ci ilin noyabrına qədər fəaliyyət göstərmişdir. Qafqaz İslam Orusunun yaradılmasına hələ 1918-ci ilin əvvəllərində başlanmışdı. Azərbaycan xalqına qarşı daşnak-bolşevik soyqırımının yaxınlaşması ilə bağlı olaraq Azərbaycan milli azadlıq hərəkatının liderləri yeganə çıxış yolunu Osmanlı Türkiyəsindən hərbi yardım almaqda görürdülər. Eyni zamanda I Dünya müharibəsindən sonra ermənilərin Şərqi Anadoluda törətdikləri vəhşilikləri və soyqırımını Azərbaycanda da həyata keçirmələri burada yaşayan türkləri Osmanlı dövlətindən yardım istəməyə məcbur qoydu. Bolşevik çevrilişinin Rusiyada yaratdığı sarsıntı, Qafqazda rus hakimiyyətinin iflası uğraması, Azərbaycanın demokratik qüvvələrinin Osmanlıdan yardım istəməsi, burada hərbi hərəkata başlamaq üçün əlverişli şəraitin yaranması Ənvər paşaya müharibənin əvvəlindən bəri gözlədiyi tarixi fürsəti həyata keçirməyə imkan verdi.

Tarix boyu Türkiyə və Azərbaycan arasında sarsılmaz dostluq və qardaşlıq münasibətləri mövcud olan hər iki xalq istər xoş günlərdə, istərsə də çətin vaxtlarda birlik nümayiş etdiriblər. Türkiyə-Azərbaycan birliyinin çoxəsrlik tarixində yaddaqalan məqamlardan biri də və mən deyərdim ki, ən önəmlisi 15 sentyabr qəhrəman türk əsgərlərinin şücaəti və qanı bahasına Bakı və digər rayonların azad olunması idi. Sevindirici haldır ki, Türkiyə-Azərbaycan birliyi, dostluğu və qardaşlığı bu gün də uğurla davam edir, xalqlarımız arasındakı doğma münasibətlər daha da dərinləşərək yeni mərhələyə qədəm qoyur. Bütün bunlar onu göstərir ki, əbədi və əzəli Azərbaycan-Türkiyə birliyi, dostluğu, qardaşlığı sarsılmazdır və daim belə də olacaq.

Keywords: establishing a state, armenian-bolshevik occupation, Turkish-Azerbaijani union

From the day the Armenians were placed in the territories of Azerbaijan by Tsarist Russia, their continuous efforts to create a state did not stop even for a moment, and when relatively favorable historical conditions arose, these efforts increased even more. The dream of Armenian nationalists to create a "great Armenia" state was a plan to realize the idea of mass destruction of

Azerbaijani Turks, to achieve numerical superiority of Armenians in that area by expelling them from their homelands, and thus to create a state of "national majority". Aiming to implement this plan, the Armenians, with the help of foreign patrons, at different times implemented a terrible policy of terror, deportation, genocide and ethnic cleansing against Azerbaijanis and Turks. The people of Azerbaijan, who were continuously subjected to the policy of aggression by the Armenian nationalists, were displaced from their historical lands, turned into refugees and internally displaced persons. In addition to murders and robberies against the civilian population, Armenians burned historical buildings and mosques and destroyed material and cultural samples in the lands of Azerbaijan.

After the October revolution of 1917, Armenians began to implement their claims under the Bolshevik flag. In March 1918, Stepan Shaumyan was appointed the extraordinary commissar of the Caucasus and was sent to Baku. From that time, disguised under the slogan "Fighting counter-revolutionary elements", the Baku Commune under the leadership of the Dashnak-Bolshevik Shaumyan started to implement a nefarious plan to rid Baku of Azerbaijanis. From March 30 to April 3, 1918, in Baku and in various regions of the Baku governorate, as well as in Karabakh, Nakhchivan, Shamakhi, Guba, Khachmaz, Lankaran, Salyan, Zangezur and other areas, the genocide of the Baku Soviet troops and Dashnak Armenian armed groups against Azerbaijanis as a result, according to official sources, tens of thousands of our compatriots were killed precisely because of their ethnic and religious affiliation, settlements, historical monuments, mosques and cemeteries were destroyed. On March 31, 1918, a mass massacre of Azerbaijanis began in the city of Baku. 6,000 armed soldiers of the Baku Soviet, as well as 4,000 armed detachments of the "Dashnaksutyun" party took part in the massacre of peaceful Azerbaijanis. During the genocide, which lasted for three days, the Armenian armed forces, with the help of the Bolsheviks, made sudden raids on the neighborhoods where Azerbaijanis lived and killed everyone from children to adults. From the historical facts, it seems that although the Armenians could not realize their dream of creating a "great Armenia" state, in 1918 they managed to establish the Republic of Armenia on the lands of Azerbaijan - in the territory of the former Iravan Khanate.

After the declaration of the Azerbaijan Democratic Republic on May 28, 1918, when foreign forces tried to use all opportunities to overthrow it, the military and political assistance provided by Ottoman Turkey played a very important role in the history of our national statehood. In order to prevent the mass genocide of the Dashnak-Bolshevik regime led by Stepan Shaumyan, who seized power in Baku, against the Turkish-Muslim population of Azerbaijan and to protect the independence of the Azerbaijani people, the military structure formed from the armed forces of Ottoman Turkey and Azerbaijan was established in 1918, from the days of the declaration of the Azerbaijan Democratic

Republic. operated until November. The creation of the Caucasian Islamic Republic began at the beginning of 1918. In connection with the impending Dashnak-Bolshevik genocide against the Azerbaijani people, the leaders of the Azerbaijani national liberation movement saw the only way out in receiving military aid from Ottoman Turkey. At the same time, after World War I, Armenians committed atrocities and genocide in Eastern Anatolia in Azerbaijan, forcing the Turks living there to ask for help from the Ottoman state. The upheaval caused by the Bolshevik revolution in Russia, the collapse of the Russian government in the Caucasus, the request of the democratic forces of Azerbaijan for help from the Ottomans, and the creation of favorable conditions for starting a military campaign here allowed Anwar Pasha to realize the historical opportunity he had been waiting for since the beginning of the war.

Throughout history, Turkey and Azerbaijan have unshakable friendship and brotherly relations, and both nations have shown unity both in good times and in difficult times. One of the memorable moments in the centuries-old history of Turkey-Azerbaijan union, and I would say the most important, was the liberation of Baku and other regions at the cost of bravery and blood of heroic Turkish soldiers on September 15. It is gratifying that the Turkish-Azerbaijani unity, friendship and brotherhood continue successfully today, and the native relations between our peoples are deepening and entering a new stage. All this shows that the eternal and eternal Azerbaijan-Turkey unity, friendship, brotherhood is unshakable and will always be so.

ACID ACTIVATION OF PHOSPHATE BY-PRODUCTS IN GEOPOLYMERIZATION TECHNOLOGY

Salma En-naji*

*IMED-Lab, Faculty of Science and Technology, Cadi Ayyad University (UCA), Marrakech 40000,
Morocco*

Safaa Mabroum

*IMED-Lab, Faculty of Science and Technology, Cadi Ayyad University (UCA), Marrakech 40000,
Morocco*

Khalid Khatib

*LRDDS and Centre AgroBiotech, URL-CNRST 05, Faculty of Science and Technology, Cadi Ayyad
University (UCA), Marrakech 40000, Morocco*

Mostafa Benzaazoua

*Geology and Sustainable Mining Institute (GSMI), Mohammed VI Polytechnic University (UM6P),
Lot 660 Hay Moulay Rachid, Ben Guerir 43150, Morocco*

Rachid Hakkou

*Geology and Sustainable Mining Institute (GSMI), Mohammed VI Polytechnic University (UM6P),
Lot 660 Hay Moulay Rachid, Ben Guerir 43150, Morocco*

ABSTRACT

Every year, phosphate mining activities generate millions of tons of waste rocks and sludges causing significant environmental issues. These mining wastes are stored and deposited in large areas within the mine site reducing arable and agricultural land, altering the topography, and disfiguring the landscape [1]. On the other hand, the mining wastes produced from the extraction of phosphates are inert and chemically stable because they are mainly constituted of limestones, marls, clays, and flints which do not contaminate the water with toxic substances [2]. The present work is a part of an environmental study that aims to valorize a by-product resulting from phosphate extraction activities, in the elaboration of phosphoric acid-based geopolymers. For the synthesis of geopolymers, clay was used as a pore-forming agent in the formulation of geopolymers by acid activation of Metakaolin. The aluminosilicate material was activated by a solution of phosphoric acid H_3PO_4 (85%) allowing the generation of porosity and consequently obtaining construction materials with good properties that could be used in thermal insulation. Different characterizations of raw clays and geopolymers were performed such as X-ray fluorescence analysis (XRF), X-ray diffraction analysis (XRD), Fourier Transform Infrared spectroscopy (FTIR), Thermal analysis (TG-DTG), scanning electron microscopy (SEM), and the Mercury Intrusion Porosimetry (MIP). In addition, the mechanical and physical behaviors of the elaborated geopolymers were also studied. The results found in this work constitute a promising approach for the sustainable management of phosphate by-products.

Keywords: Phosphate, geopolymers, thermal insulation, mining waste.

REFERENCES

- [1] R. Hakkou, M. Benzaazoua, B. Bussière, *Procedia Engineering*, 138, 110–118 (2016).
- [2] S. En-naji, S. Ghazi, H. Mabroum, S. Mabroum, K. Khalid, Y. Taha, I.G. Lodeiro, R. Hakkou, *Applied Clay Science*, 245, 107126 (2023).

AN EVALUATION OF GEOPOLYMER COMPOSITES UTILIZING WASTE GLASS AS AN ECO-FRIENDLY BINDING MATERIAL

Maen Alwahsh
University of Miskolc

Waste glass (WG), which has a high amorphous silica concentration, makes up a sizable amount of municipal solid trash [1]. An extensive analysis of geopolymer materials made with waste glass powder (WGP) as a precursor is presented in this article. The evaluation includes the material's endurance and qualities in both its fresh and hardened forms, with an emphasis on the effects of the synthesis factors. The analysis of embodied energy and embodied CO₂ highlights the sustainability of WGP-based geopolymers. The workability and setting times of the geopolymer are significantly impacted by the surface characteristics of the glass particles. The mechanical and durability properties of the geopolymer are significantly improved by the addition of a certain quantity of WGP. Furthermore, important variables that affect material qualities include the kind of co-precursor, WGP particle size, alkali activator type and concentration, and the ratio of liquid activator to solid binder. On the other hand, there are few durability studies on WGP-based geopolymers, especially when it comes to measuring alkali-silica interactions and chemical attack resistance. Sustainably conducted research must proceed in order to prove that WGP-based geopolymer is a workable and sustainable material. Overall, the research that is currently available shows that using WGP as a precursor is effective because of its better performance when compared to other cementitious materials. The purpose of this study is to give field engineers and researchers a thorough grasp of how WGP is used as a precursor in the synthesis of geopolymers.

REFERENCES

- [1] X. Jiang, R. Xiao, Y. Ma, M. Zhang, Y. Bai, and B. Huang, "Influence of waste glass powder on the physico-mechanical properties and microstructures of fly ash-based geopolymer paste after exposure to high temperatures," *Constr. Build. Mater.*, vol. 262, p. 120579, 2020, doi: 10.1016/j.conbuildmat.2020.120579.

NİZAMİ'NİN ESERLERİNDE HÜKÜMDAR İMGESİ

Könül Sadıqova
Bakı, Azərbaycan

Anahtar kelimeler: Nizami'nin yaratıcılığı, hükümdar imgesi, şiir, sosyo-politik, adalet.

Azərbaycan'ın tanınmış şairi Nizami Gencevi, yaratıcılığına lirik şiirlerle başlamış olsa da bunların çok azı günümüze kadar ulaşmıştır. Dahi şair, yaşamının son 30 yılında kendisine dünya çapında ün kazandıran 5 eserini yazdı. Şairin eserlerinde ayrı-ayrı konulara değinilse de, genel olarak bir fikir, sanatsal bir soruna çözüm onun tüm şiirlerini birleştirir. Nizami'nin hemen hemen bütün şiirlerinde halk ve hükümdar, devletin adaletle yönetilmesi gibi konulara değindiği söylenebilir. İlk şiiri 1174 yılında yazdığı "Sırlar Hazinesi"dir. Sosyo-felsefi görüşleri ve sosyal adalet düşüncesiyle dikkat çeker. 20 makale ve 20 hikâyeden oluşan bu eserde, "Adalet və insafı gözlemek hakkında", "Padşahın reyyete kayğı göstermesi hakkında" gibi hikâyelerde adaletle yer verilmektedir ve "Nuşirevan və baykuşların söhbeti", "Sultan Sencer və karı", "Zalım padşahla Zahidin dastanı" iyi amellere çağrı bulunmaktadır. "Unutma ki, alemi açmağa bir açarsan", "Dünyada zülm etməye yaranmış meger insan?!" "Sen hükümdar olmuşsun, yetişesen haraya, Daim melhem koyasan vurulan her yaraya" gibi "Sırlar hazinesi"ne dahil olmuş hikayelerinde hükümdarlara merhamet çağrısında bulunurdu. Her zaman sanki "Adil olun ve hakkı savunun" fikri ile hükümdarların ayıplarını göstermeye çalıştı.

İkinci eseri "Hosrov ve Şirin" (1181) aşk konusu üzerine yazılmış olsa da hükümdar imajında devletin adaletle ve akılla yönetilmesi gibi sosyal ve siyasi sorunlara değinilmiştir.

Bir Arap efsanesine dayanarak yazdığı "Leyli ve Mecnun" şairin üçüncü eseridir. Nizami'nin 1197 yılında yazdığı "Yedi Güzel" adlı eserinde, Sasanilerden Behram Gurun imajında adil hükümdar sorununa değinilmiştir. Son eseri İskendernâme iki bölümden oluşmakta olup, 1203 yılında tamamlanmıştır. Destanın özet bölümünde şair, adil hükümdar sorununu bir kez daha ele alarak Feylagus, İskender ve Dara gibi hükümdarların karakterlerini karşılaştırmalı bir şekilde sunmaktadır.

Şair, İskendernâme'de ideal bir hükümdar imajı yaratmayı kendine amaç edinmiş ve bunu başarmıştır. Eserde İskender sadece tahtın sahibi değil, aynı zamanda yetenekli bir savaşçı, bilimi ve bilgiyi seven bir filozoftur. Zekası ve adaleti sayesinde her zaman kazanır.

Eserdeki hükümdarın karakterleri farklıdır. Dara adaletsiz ve zalimdir. Kendi çıkarları için halkını savaşa sürüklüyor. Pelenger negatif bir yönetici figürü olarak verilmiştir. Nizami

olayların gidişatında bu imajın mahiyetini ortaya koyarken, komşu ülkeleri işgal eden ve yağmalayan hükümdar imajına karşı olumsuz tavrını dile getirmektedir.

İskendername'de olaylar karakter, zaman ve mekan açısından geniş bir şekilde anlatılmaktadır. "Şerefname" adını taşıyan eserin ilk bölümü, içerik itibarıyla İskender'in yaptığı savaşları anlatırken, fikir itibarıyla hükümdar imajında adaletten bahs eder.

Olayların gidişatı sırasında Nizami ilginç bir hileye başvurur, İskender'i Barda'ya getirir, kadın hükümdar - Nuşabe ile yüzleştirir, zekası ve cesaretiyle "dünyayı" şaşırtan İskender, kadın karakterin karşısında şaşırır. Şair, kendisini elçi olarak tanıtan İskender'e sanki devrinin yöneticilerine ders verircesine, Nuşaba imgesi üzerinden masaya mücevherler koymakla işgali ve yağmayı kınayır.

Genel olarak şair, bütün şiirlerinde karakterin olumlu ya da olumsuz olmasına bakılmaksızın hükümdar imgelerinin arka planında adaleti ve hakkı temsil etmektedir.

A THEORETICAL STUDY ON THE ROLE OF THE π -SPACER OF ORGANIC DYES OF THE D- π -A TYPE BASED ON PHENOTHIAZINE FOR DYE-SENSITIZED SOLAR CELL APPLICATIONS

SEKKAT Yassir

(ECIM), LIMAS, Faculty of Sciences Dhar El Mahraz, University Sidi Mohamed Ben Abdallah, Fez Morocco

Fitri Asmae

(ECIM), LIMAS, Faculty of Sciences Dhar El Mahraz, University Sidi Mohamed Ben Abdallah, Fez Morocco

Touimi Benjelloun Adil

(ECIM), LIMAS, Faculty of Sciences Dhar El Mahraz, University Sidi Mohamed Ben Abdallah, Fez Morocco

El Khattabi^a Souad

LISA, National School of Applied Sciences, University Sidi Mohamed Ben Abdallah, Fez Morocco

Benzakour Mohammed

(ECIM), LIMAS, Faculty of Sciences Dhar El Mahraz, University Sidi Mohamed Ben Abdallah, Fez Morocco

Mcharfi Mohammed

^a(ECIM), LIMAS, Faculty of Sciences Dhar El Mahraz, University Sidi Mohamed Ben Abdallah, Fez Morocco

ABSTRACT

This work is based on the winning dye CC202-III, a series of excellent light-absorbing dyes with various spacers at the phenothiazine entities level, by modifying the π spacer of CC202-III with halogen-derived heterocycles (F, Cl, and Br). We conducted a theoretical study with DFT and TD-DFT of a new series PTZi ($i = 1-3$). DFT and TD-DFT simulations are theoretically used to deeply analyze the key characteristics of all dyes affecting the short-circuit current (J_{sc}) and open-circuit voltage (V_{oc}) to identify structure-property relationships. Compared to the reference dye CC202-III, the technical dyes PTZ1 to PTZ3 exhibit a good balance in a number of crucial properties such as light harvesting efficiency (LHE), electron injection driving force (ΔG^{inject}), regenerative driving force (ΔG^{reg}), reorganization energy (λ_{total}), and vertical dipole moment (μ_{normal}).

Mots-Clés : Solar cells DSSCs, Organic dyes, DFT, TD-DFT, PTZ.

THE EFFICACY AND APPLICATION OF FACE RECOGNITION SYSTEM: IMPLICATION FOR SOCIAL PROTECTION AND ECONOMIC SECURITY

Moses Adeolu AGOI

Lagos State University of Education, Lagos Nigeria.

ORCID ID: 0000-0002-8910-2876

Benjamin Johnson OLASIJU

Lagos State University of Education, Lagos Nigeria.

Solomon Abraham UKPANA

Lagos State University of Education, Lagos Nigeria.

Olasunkanmi Julius OLATUNDE

Lagos State University of Education, Lagos Nigeria.

Oluwanifemi Opeyemi AGOI

Obafemi Awolowo University, Osun Nigeria.

ABSTRACT

Many thanks to digital technology, as its advent has played an ultimate role in making the quality of life better. Unfortunately, this same spectrum has also enhanced a number of security threats through internet connectivity. Hitherto, an effective access control measures which detects intruders and minimize security errors is proposed of which face recognition technology is guaranteed and recommended. Face recognition technology is a biometric technology which is based on the identification of facial features of an individual. Face recognition system is synonymous to automatic face recognition, biometric authentication, biometric identification or identity verification. According to Wikipedia, face recognition system is a technology from a digital image or video frame against a stored database template. This paper is a descriptive survey of face recognition technology and its importance. The paper discussed the basic concept of face recognition system and how it can be used to enhance socio-economic security. In order to gather relevant data that can be used for the paper work, online Google form questionnaire instrument was used to collect information from respondents which were subjected to reliability analysis. Conclusively, the paper inferred that face recognition technology have near perfect security accuracy in ideal conditions.

Keywords: Face Recognition System, Social Protection, Economic Security.

SUSTAINABILITY IN FASHION

Dr Madan Lal Regar

Assistant Professor, Department of Fashion Design, National Institute of Fashion Technology Jodhpur,
Jodhpur, India.

ORCID ID: 0000-0001-7821-4410

ABSTRACT

Sustainability refers to the ability to continuously maintain a process over time. In business aspects, It refers to the prevention of depletion of resources, for their longer availability. It also consists of fulfilling the needs of current generations without compromising the needs of future generations, while ensuring a balance between economic growth, environmental care, and social well-being. This concept can be used to guide decisions on global and individual levels.

There are 3 sub-concepts that fall under Sustainability. They are: economic, environmental, and social, also known as profits, planets, and people.

Economic sustainability concentrates on conserving natural resources, both renewable and exhaustible inputs. Environment sustainability adds emphasis on life support systems, that must be maintained for economic production. Social sustainability focuses on the human effects of economic systems, to eradicate poverty and hunger.

The three concepts above are its pillars. This practice is also actively carried out in the commercial sector. Corporate sustainability includes companies today setting sustainability goals like commitment to zero waste packaging or reduction of overall emissions. When they talk about Sustainability today, it is generally defined as, “meeting the needs of the present without comprising the ability of the future generations to meet their own needs .” Sustainable fashion is a way in which brands create clothing that not only reduces the impact on the environment but is also mindful of the people who work to produce the garments.

Apparel brands have broken sustainability into four areas: Ethical, Slow, Circular and Conscious Fashion . The fashion industry is incredibly harmful to the planet. This industry is one of the world’s largest polluters, responsible for 20% of global industrial water pollution. Surprisingly, most of the clothes are made of plastic today, creating a disaster in the making.

The goal of sustainable fashion is to create flourishing ecosystems and communities through its activity. This may include: increasing the value of local production and products; prolonging the lifecycle of materials; increasing the value of timeless garments; reducing the amount of waste; and reducing the harm to the environment as a result of production and consumption.

Another goal is to educate people to practice environmentally friendly consumption by promoting the "green consumer".

This finally proves that implementation of sustainability in fashion design can be achieved by identifying the perceptions, attitudes, and involvement of fashion design practitioners in sustainability. Both design and designer's roles are the key to inspiring sustainable design practices as their role can contribute to sustainability by shaping design production practices and influencing consumption processes.

Keywords: Sustainability, Fashion, economic, environmental, social, and Industrialization

FOUNDATIONS FOR DIVORCE FROM THE PERSPECTIVE OF PRACTICE OF VIETNAMESE COURTS

Huynh Thi Truc Linh

Tra Vinh University – School of Economics and Law

ORCID ID: 0009-0004-6340-4851

Nguyen Huy Hoang

Tra Vinh University – School of Economics and Law

ORCID ID: 0000-0003-1662-4371

ABSTRACT

Vietnamese law stipulates two divorce cases: consent divorce and divorce at the request of one party. Each divorce case will have different grounds for divorce and only when the grounds for divorce are satisfied will the husband and wife be resolved by the court for divorce. The article analyzes the provisions of Vietnamese law on the grounds for divorce, and analyzes a number of court judgments on determining the grounds for divorce. On the basis of analyzing the provisions of Vietnamese law and the trial practice of Vietnamese courts on the grounds for divorce, the article presents some shortcomings and limitations in the provisions of Vietnamese law on divorce grounds. get divorced. On the basis of presenting inadequacies and limitations in the provisions of Vietnamese law on divorce grounds, the article presents a number of recommendations to improve the provisions of Vietnamese law on divorce grounds.

Keywords: Divorce grounds; Divorce; Divorce at the request of one spouse; Divorce by mutual consent.

1. INTRODUCTION

Grounds for divorce are important issues to exercise the right to divorce of individuals and were soon stipulated in Vietnamese law. Grounds for divorce have many cases such as grounds for consent to divorce, grounds for divorce at the request of one party, grounds for divorce at the request of parents or other relatives, grounds for divorce when the wife, Her husband was declared missing. The article analyzes the provisions of Vietnamese law on the grounds for divorce and analyzes some judgments of Vietnamese courts in determining the grounds for divorce, thereby presenting some shortcomings and recommendations to complete the divorce improve the provisions of Vietnamese law on grounds for divorce.

2. PROBLEM ANALYSIS

2.1. Regulations of Vietnamese law on grounds for divorce

Divorce is an individual's civil right enshrined in the 2013 Constitution of Vietnam and in the Law on Marriage and Family of Vietnam. However, in order to get a divorce, the grounds for divorce must be satisfied.

Grounds for divorce according to the provisions of the Law on Marriage and Family of Vietnam 1959

Vietnam's Marriage and Family Law 1959 provides for two divorce cases: consent divorce and divorce at the request of one party. In each divorce case, there are different grounds for divorce. **First**, consent to divorce: the grounds for consent to divorce are specified in Article 25 as follows “When both spouses apply for a divorce, after investigation, if it is true that both parties voluntarily apply for divorce, the People's Court will recognize the consent to divorce”. When the divorce is consented, the court will recognize the consent of the divorce as the basis of the husband and wife's voluntariness.

Second, divorce at the request of one party: the grounds for divorce at the request of a party are specified in Article 26 as follows “If the situation is serious, cohabitation cannot be prolonged, and the purpose of marriage is not achieved, the People's Court will grant a divorce”. Grounds for divorce in the case of consensual divorce is that the marital situation has become serious, leading to an unsustainable cohabitation and the unfulfilled purpose of marriage.

Grounds for divorce according to the provisions of the Law on Marriage and Family of Vietnam 1986

First, consent to divorce: the grounds for uncontested divorce are specified in Article 40 as follows “If it is true that the two parties really voluntarily divorce, then the People's Court will accept the divorce by consent”. The grounds for divorce in the case of consent to divorce of the Vietnamese Marriage and Family Law 1959 are still based on the husband and wife's voluntary divorce.

Second, divorce at the request of one party: the grounds for divorce at the request of a party are specified in Article 40 as follows: “If it is deemed that the situation is serious, the cohabitation cannot be prolonged, and the purpose of the marriage cannot be achieved, the People's Court shall grant the divorce”. In case of divorce at the request of one party, the ground is that the situation is serious, the common life cannot be prolonged, the marriage purpose cannot be achieved.

The grounds for divorce in the provisions of the Law on Marriage and Family of Vietnam 1986 are fully inherited from the Law on Marriage and Family of Vietnam 1959.

Grounds for divorce according to the provisions of the Law on Marriage and Family of Vietnam 2000

First, consent to divorce: the grounds for consent to divorce are specified in Article 90 as follows “If deeming that the two parties really voluntarily divorce and have reached an agreement on the division of property, the custody, rearing, care and education of the children, the Court shall recognize the divorce agreement and the agreement on property. and children on the basis of ensuring the legitimate interests of the wife and children”. Compared with the previous marriage and family laws of Vietnam, this document provides more specific and reasonable provisions on the grounds for consensual divorce. Specifically, in addition to the stipulation that the grounds for consent to divorce are voluntary, this document has additional content “If the Court has agreed on the division of property, the care, rearing, care and education of children, the Court shall recognize the divorce agreement and the agreement on property and children on the basis of ensuring the legitimate interests of the wife and child”. This content addition is convincing to better protect the interests of the wife and children.

Second, divorce at the request of one party: the grounds for divorce at the request of a party are specified in Article 91 as follows: “If deeming that the situation is serious, the cohabitation cannot be prolonged, and the purpose of the marriage is not achieved, the Court shall decide to divorce”. This divorce ground is basically inherited entirely from the Law on Marriage and Family of Vietnam 1986 and 1959. However, there are additional cases “If the wife or husband of the person declared missing by the Court applies for a divorce, the Court will grant the divorce”. Thus, in case a wife or husband is declared missing, the other husband or wife still has the right to divorce. This addition creates a clearer mechanism about the right to divorce, when one spouse is declared missing but the other wants a divorce.

Grounds for divorce according to the provisions of the Law on Marriage and Family of Vietnam 2014

First, consent to divorce: the grounds for consent to divorce are specified in Article 55 as follows “a court shall recognize the divorce by mutual consent if seeing that the two are really willing to divorce and have agreed upon the property division, looking after, raising, care for and education of their children on the basis of ensuring the legitimate interests of the wife and children”. The basis for marriage in the case of consent to divorce in the document is basically completely inherited from the Law on Marriage and Family of Vietnam 2000 without any change. In order for a divorce to be amicable, the husband and wife must have voluntary consent and have reached an agreement on property and issues of looking after, raising, caring for and

educating children. The agreement of the husband and wife must ensure the legitimate interests of the wife and children to have enough grounds for the Court to recognize the consent of the divorce.

Second, divorce at the request of one party: the grounds for divorce at the request of a party are specified in Article 56 as follows: “1. When a spouse requests a divorce and the conciliation at a court fails, the court shall permit the divorce if it has grounds to believe that a spouse commits domestic violence or seriously infringes upon the rights and obligations of the husband or wife, which seriously deteriorates the marriage and makes their common life no longer impossible and the marriage purposes unachievable. 2. When the spouse of a person who is declared missing by a court requests a divorce, the court shall permit the divorce. 3. For request for a divorce under Clause 2, Article 51 of this Law, a court shall permit the divorce if it has grounds to believe that the domestic violence committed by one spouse seriously harms the life, health or spirit of the other”. This basis is inherited from the previous marriage and family laws of Vietnam; (iii) The second basis is that in case a spouse is declared missing and the other wants a divorce, the court will still grant the divorce. In this case, the divorce petition needs to be accompanied by the Court's decision declaring the wife or husband declared missing; (iii) The third case is divorce at the request of the father, mother or other relatives. This is the new divorce grounds prescribed by the Law on Marriage and Family of Vietnam 2014. Parents or other relatives are only entitled to request a divorce when one of the spouses, due to mental illness or other diseases, is unable to perceive and control his/her behavior and is also a victim of violence. Family force caused by their husbands or wives seriously affects their lives, health and spirit (Clause 2, Article 51), and the Court will only grant divorce if there are grounds for the divorce. husband or wife commit acts of domestic violence, seriously affecting the life, health and spirit of the other.

2.2. The trial practice of Vietnamese courts on determining grounds for divorce

Determining grounds for divorce in case of consent to divorce in the trial practice of Vietnamese courts

Case No. 1: Decision No: 40/2017/QDST-HNGĐ dated July 25, 2017 of the People's Court of District H, Quang Ninh Province: "On the recognition of consent to divorce and the agreement of the parties ".

Content of the decision: The consent to divorce and the agreement of the parties recorded in the record of voluntary divorce and reconciliation on July 17, 2017 is completely voluntary and does not violate the prohibition. of the law, not against social morality. After the expiration of 07 days, from the date of making the record of voluntary divorce and the successful conciliation, no involved parties have changed their opinion on that agreement.

Decision:

Recognition of consensual divorce between: Mr. Nguyen Duy T - born in 1993; Ms. Dinh Thi M - born in 1995. To recognize the agreement of the involved parties specifically as follows:

About the common child: Ms. Dinh Thi M directly raised the common child, Nguyen

Gia B - born on February 6, 2016 to the age of majority (full 18 years old). Mr. Nguyen Duy T grade

The amount of common child support per month is 1,500,000 (One million five hundred thousand) VND from July 17, 2017 until the joint child turns 18 years old. Mr. Nguyen Duy T who does not directly raise the joint child has the right to visit the common child without anyone obstructing.

Regarding common property: The involved parties do not request the Court to settle

Comment: It can be seen that in the case of an amicable divorce, the Court shall settle it on the principle of the agreement of the husband and wife. As in the above case, between Mr. T and Ms. M, there was an agreement on issues ranging from the voluntary termination of marriage to the determination of the person directly raising the children, the responsibility to support the children and issues related to the marriage asset. Therefore, the Court has decided to recognize the consent of the divorce and the agreement of the involved parties.

Determination of grounds for divorce in case of divorce at the request of a party in the trial practice of Vietnamese courts

Case No. 2: Judgment No. 45/2018/HNGĐ-PT, dated: October 9, 2018 of the People's Court of Ca Mau Province: “About applying for divorce”

Case content:

Mr. Nguyen Van G presented: Mr. and Mrs. Le Thi G voluntarily lived together as husband and wife since 1977, without marriage registration. The cause of the conflict is due to the husband

and wife disagreeing, often arguing, the marital status of the husband and wife is not happy. So he asked for a divorce from Ms. Le Thi G. Regarding their common children, Mr. and Mrs. G had 04 children, including: Nguyen Thi N, born in 1977; Nguyen Thi Q, born in 1982; Nguyen Van K, born in 1986 and Nguyen Thuy A, born in 1992. Their children are grown up, in normal health, he and his wife have no obligation to support them. Regarding joint assets and debts: Self-agreement, not asking the court to settle.

Ms. Le Thi G presented: Agreed with Mr. G's presentation on time, marriage conditions, common children, common property and common debt. As for the cause of family conflict, Mr. G recently had a romantic relationship with another woman and then returned to his family to cause conflict, and asked for a divorce. In court, she did not accept Mr. G's request for divorce

Judgment of the Court

Court of first instance: Accepting Mr. Nguyen Van G's request to get a divorce from Ms. Le Thi G.

The Court of Appeal: The first instance court held that the marriage relationship of Mr. G and Mrs. G was in a state of serious contradictions and that their common life could not be prolonged. Mr. G divorced Ms. G. At the appellate court hearing, Ms. G provided a record of Mr. G's administrative violation due to an improper relationship with another woman, apart from this in the case file. Mr. G failed to prove any other reason to show the conflict in the marriage relationship between Mr. G and Mrs. G. G seriously had to divorce. Mr. G and Mrs. G have been married for more than 40 years and have four grown-up children, proving that their marriage relationship is stable. The reason Mr. G asked for a divorce was because he had a romantic relationship with another person, so the recognition for Mr. G's divorce in this case is indirectly acknowledging Mr. G's illegal emotional relationship as mentioned above. On the other hand, Mr. G and Mrs. G belong to the elderly category, in a family of grandparents, maintaining the marriage relationship of grandparents is necessary in order to maintain the family background, in accordance with social ethics. From the above statement, amending the first-instance judgment, not allowing Mr. G to divorce from Mrs. G.

Comment: In the same divorce case at the request of one party, the first instance court and the appellate court had opposing views and rulings. Specifically, the first instance level said that the marriage between Mr. G and Mrs. G had fallen into a serious state, the common life could not be prolonged, the purpose of the marriage was not achieved, so it accepted Mr. G's request

for divorce. However, the Court of Appeal said that Mr. G could not prove any other reasons to show the conflict in the marriage relationship between Mr. G and Mrs. G. G seriously had to divorce. In addition, the Court also argued that “The reason Mr. G requested a divorce was because he had a romantic relationship with another person, so the recognition for Mr. G's divorce in this case is indirectly admitting the illegal relationship. Mr. G's law as mentioned above”. In addition, the Court of Appeal also considered the traditional ethical factor when arguing that “Mr G and Mrs G belong to the elderly category, in the family of grandparents, maintaining the marriage relationship of grandparents is necessary. necessary to maintain the family foundation, in accordance with social morality”. Since then, showing that the arguments and rulings of the Court of Appeal are completely appropriate and convincing, the judgment of the Court of First Instance has not properly assessed the nature of the case, so it has issued a judgment inconclusive.

Case No. 3: Judgment No. 05/2018/HNGĐ-ST dated June 26, 2018 People's Court of Binh Gia District, Lang Son Province: “Regarding the divorce with the missing person”

Contents of the case: At the divorce application on May 14, 2018, the self-declaration on May 18, 2018 and at the trial, Mr. Hoang Van H presented: In 1982, Mr. and Mrs. Hoang Thi T were able to find out for themselves. , voluntarily married and has a marriage registration at the People's Committee of commune B, district C, Lang Son province, the hometown of Ms. Hoang Thi T.

After marriage, the couple lives happily in village N, commune H, district B and has 4 children together. But in 2007 Mrs. Hoang Thi T suddenly left her family, unknown address, he searched everywhere, including at the house of Ms. Hoang Thi T in village M, commune B, district C, Lang Son province as well no news. To ensure his rights and interests, on September 22, 2017, Mr. Hoang Van H asked the People's Court of Binh Gia district to declare Ms. Hoang Thi T missing. In Decision No. 01/2018/QDDS-ST dated March 16, 2018 of the People's Court of Binh Gia District, Ms. Hoang Thi T was declared missing. Now, Mr. Hoang Van H proposes to the Court to get a divorce from the missing person, Ms. Hoang Thi T, in accordance with the law.

Regarding common children, there are 4 children together: Ms. Hoang Thi H was born on April 24, 1984, Ms. Hoang Thi H1 was born on July 3, 1989, Mr. Hoang Van H was born on April 24, 1991 and Mr. Hoang Van H1 was born on April 3, 1989. On August 8, 1994, now that their children are grown up, Mr. Hoang Van H did not ask the Court to consider and settle.

Regarding common assets and common debts: Mr. Hoang Van H presented no common assets and pledged to have no common debts.

On the defendant's side: Ms. Hoang Thi T has been declared missing by the Court since March 2018. According to Official Dispatch No. 34/CV-UBND dated May 17, 2018 of the People's Committee of Commune H, District B, confirming Ms. Hoang Thi T has registered permanent residence in village N, commune H, district B, registered at Mr. Hoang Van H's household, but Ms. Hoang Thi T has left the locality since 2007, when she left without notice. let local authorities know. Up to this time, Ms. Hoang Thi T is still absent. The Court accepted the case and posted the Notice of Acceptance of the case at the People's Committee of Commune H on May 18, 2018. And on June 4, 2018, a meeting was held to hand over, access and publicize Mr. Hoang Van H's evidence and list it in accordance with regulations. But on the date of opening the trial on June 26, 2018, Ms. Hoang Thi T was still absent, and there was no evidence to show that there was another address of Ms. Hoang Thi T. Therefore, there were no documents, evidence, or self-declaration. of the defendant. The Court shall base on documents and evidences provided by the plaintiff and legal grounds for consideration and settlement.

At this marriage trial, Mr. Hoang Van H still kept his request for a divorce from Ms. Hoang Thi Thuy according to the law.

Arguments and rulings of the Court:

Argument of the Court

Regarding marital relations: Mr. Hoang Van H and Ms. Hoang Thi T have lived together as husband and wife, registered their marriage in 1982 at the People's Committee of commune B, district C, Lang Son province, so the husband and wife relationship recognized by law. The reason Mr. Hoang Van H asked for a divorce was because Ms. Hoang Thi T was declared missing by the Court. Pursuant to Decision No. 01/2018/QDDS-ST dated March 16, 2018 of the People's Court of Binh Gia District declaring Ms. Hoang Thi T missing, this decision has taken legal effect and until the Court Opening the trial, Ms. Hoang Thi T was still absent. Therefore, based on Clause 2, Article 56 of the Law on Marriage and Family, for Mr. Hoang Van H to be divorced from Ms. Hoang Thi T, there is a legal basis.

About common children: Determine that the couple has 4 children in common, namely Hoang Thi H born in 1984, Hoang Thi H1 born in 1989, Hoang Van H born in 1991 and Hoang Van

H1 born in 1994. Seeing that their common children have grown up. should not consider the joint responsibility of raising children for Mr. Hoang Van H.

Regarding common assets and common debts: Mr. Hoang Van H stated that there is no common property; committed to have no common debt, so the Trial Panel did not consider it.

Court's decision: Accepting the petition for divorce of plaintiff Mr. Hoang Van H. Judgment for Mr. Hoang Van H to get a divorce from the person who was declared missing, Ms. Hoang Thi T.

Comments on the case: In divorce cases with the person declared missing, the basis for the divorce is the effective decision on declaring the missing person. In the above case, Ms. Hoang Thi T was declared missing by the Court under Decision No. 01/2018/QDDS-ST dated March 16, 2018 of the People's Court of Binh Gia District and this decision has taken effect. law. The time when Mr. Hoang Van H applied for a divorce from Ms. T was on May 14, 2018, that is, after the time when the decision to declare Ms. T missing took effect, the Court accepted Mr. H's divorce request. is absolutely correct.

The above are three cases related to three different divorce cases: consensual divorce, divorce at the request of one party, and divorce when a spouse is declared missing. In addition, there is another divorce case that is rarely seen in court practice, which is the case of divorce at the request of parents or other relatives.

2.3. Some inadequacies and recommendations to improve the provisions of Vietnamese law on grounds for divorce

Based on the study of the legal provisions and the trial practice of the Vietnamese courts on the grounds for divorce, we found that there exist some shortcomings and limitations in the provisions of Vietnamese law on the grounds for divorce. kiss like this:

Firstly, there is no specific document guiding how the marital status has become "serious" in the case of divorce at the request of one party. Previously, in the Resolution No. 02/2000/NQ-HDTP of the Council of Judges of the Supreme People's Court dated February 23, 2000, there were instructions on what is a serious marital situation. However, this document is the guiding document for the Vietnam Law on Marriage and Family 2000, which has expired. The failure to issue a document guiding the grounds for divorce in this case may lead to inconsistent interpretations of how the marital situation has deteriorated, which may lead to conflicting judgments. in the same case.

Secondly, there is no specific guidance on grounds for divorce at the request of parents or other relatives in Clause 3, Article 56 of the Law on Marriage and Family of Vietnam 2014. Specifically, grounds for divorce in this case is defined as when there are “grounds that a husband or wife commits domestic violence acts, seriously affecting the life, health and spirit of the other”. In this case, it is necessary to understand what is a “serious” effect on life, health, and spirit. The lack of guidance on how to have such a serious effect as mentioned above will cause inconsistent understandings and legal science as well as trial practice, leading to inconsistent application of the law in different jurisdictions. Court level.

On the basis of the shortcomings and limitations presented above, we propose some recommendations as follows:

Firstly, the Supreme People's Court of Vietnam needs to issue a document detailing what is meant by "marriage in a serious situation" in Clause 1, Article 56 of Vietnam's Law on Marriage and Family 2014. In order to create a unified understanding of the grounds for divorce in this case.

Secondly, the competent state agency should soon issue a document guiding what is “seriously affecting life, health and spirit” in the grounds of separation at the request of a parent or adult other relatives, in order to have a clear understanding of this basis. To create awareness and uniform adjudication in the Vietnamese court system.

3. CONCLUSION

Determination of grounds for divorce is the basis for divorce settlement at the request of the subject. Vietnamese law has provisions on the grounds for divorce at the request of one party and the grounds for consent to divorce. Basically, these regulations have met the adjustment needs in divorce cases. However, the provisions of Vietnamese law on the grounds for divorce still have some shortcomings such as there are no documents guiding how the marriage is in a serious situation in the divorce grounds at the request of the Government. one side. There are no detailed instructions on how to seriously affect life, health and spirit in the case of divorce at the request of parents or other relatives. These inadequacies and limitations need to be overcome soon to create a unified awareness to improve the effectiveness of the law.

REFERENCES

Vietnam's Constitution 2013;
Vietnam's Law on Marriage and Family 1959;
Vietnam's Marriage and Family Law 1986;
Law on Marriage and Family of Vietnam 2000

Law on Marriage and Family of Vietnam 2014;

Resolution No. 02/2000/NQ-HDTP of the Council of Judges of the Supreme People's Court

Decision No. 40 /2017/QDST-HNGD dated July 25, 2017 of the People's Court of District H, Quang Ninh province: "On the recognition of consent to divorce and the agreement of the parties";

Judgment No: 45/2018/HNGĐ-PT, dated: October 9, 2018 of the People's Court of Ca Mau province: "About applying for divorce";

Judgment No. 05/2018/HNGĐ-ST dated June 26, 2018 People's Court of Binh Gia District, Lang Son Province: "Regarding the divorce with the missing person".

RESTRICTION OF DIVORCE UNDER VIETNAMESE LAW**Huynh Thi Truc Linh**

Tra Vinh University – School of Economics and Law

ORCID ID: 0009-0004-6340-4851**Nguyen Huy Hoang**

Tra Vinh University – School of Economics and Law

ORCID ID: 0000-0003-1662-4371**ABSTRACT**

Divorce means termination of the husband and wife relation under a court's legally effective judgment or decision. Divorce is an individual's moral right that is exercised when a husband or wife no longer wants to maintain the marital relationship. However, in certain cases, Vietnamese law has limited the right of individuals to divorce, in order to ensure the rights of related subjects. The article presents and analyzes the legal issues of restriction of divorce according to the provisions of Vietnamese law such as grounds for divorce restriction, subjects subject to divorce restriction, and time of divorce restriction... On the basis of analyzing the legal provisions on the issue of divorce restriction, the article presents some inadequacies and limitations in the provisions of Vietnamese law on divorce restriction. Since then, the article presents a number of recommendations to improve the provisions of Vietnamese law on divorce restriction.

Keywords: Divorce; divorce restriction; grounds for divorce.

1. INTRODUCTION

Limiting the right to divorce is an issue that has long been regulated in Vietnamese law. In restricting the right to divorce, there are many legal issues such as subjects with restricted divorce rights, grounds for restricting divorce... The article analyzes the provisions of Vietnamese law on divorce restriction, thereby presenting a number of shortcomings and recommendations to improve the provisions of Vietnamese law on divorce restriction.

2. PROBLEM ANALYSIS

Divorce is the termination of the husband and wife relationship according to a legally effective judgment or decision of a court⁸. Divorce is an individual's civil right enshrined in the 2013 Constitution of Vietnam "Men and women have the right to marry and divorce..."⁹ and is "protected by the State on marriage and family"¹⁰. However, an individual's right to divorce

⁸ Clause 14, Article 3 of the Law on Marriage and Family of Vietnam 2014.

⁹ Clause 1, Article 36 of the 2013 Constitution of Vietnam.

¹⁰ Clause 2, Article 36 of the 2013 Constitution of Vietnam.

may be limited in certain cases in order to protect vulnerable subjects in the marriage relationship in the circumstances provided for by law.

2.1. Brief history of formation and development of legal regulations on divorce restriction in Vietnam from 1945 to present

Since 1945, the Democratic Republic of Vietnam, now the Socialist Republic of Vietnam, has issued the Law on Marriage and Family four times, in 1959, 1986, 2000 and 2014 respectively.

Legal provisions on restriction of divorce according to the Law on Marriage and Family of Vietnam 1959

Article 27 of the Law on Marriage and Family of Vietnam 1959 stipulates on the issue of divorce restriction as follows: "In case the wife is pregnant, the husband can only apply for a divorce after the wife has given birth for one year. This restriction does not apply to the wife's application for divorce. The above regulation mentioned two basic issues of divorce restriction: (1) Restricted subject: the subject of divorce restriction is the husband, this means that the wife can still apply for a divorce if she wants to; and (2) restricted divorce cases: the husband will be restricted from divorce if (a) the wife is pregnant; or (b) the wife gave birth less than a year ago.

Legal provisions on restriction of divorce according to the Law on Marriage and Family of Vietnam 1986

Article 41 of the Law on Marriage and Family of Vietnam 1986 stipulates on the issue of divorce restriction as follows: "In case the wife is pregnant, the husband can only apply for a divorce after the wife has given birth for one year. This restriction does not apply to the wife's application for divorce. Basically, the provisions on restriction of divorce in the Law on Marriage and Family 1986 are similar to those in the Law on Marriage and Family 1959, when it stipulates that the subject of restricted divorce rights is the husband and the grounds for limiting the divorce. The case for divorce is still the wife is pregnant or has given birth to a child less than a year.

Legal provisions on restriction of divorce according to the Law on Marriage and Family of Vietnam 2000

Article 85 of the Law on Marriage and Family of Vietnam 2000 stipulates on the issue of divorce restriction as follows: "In case the wife is pregnant or is raising a child under twelve months of age, the husband has no right to request a divorce". The Law on Marriage and Family of Vietnam 2000 continues to maintain the stipulation that the subject of restricted divorce

rights is the husband, and the basis for restricting the divorce is the wife who is pregnant or raising a child under twelve months of age. Compared with the provisions of the two Laws on Marriage and Family 1959 and 1986, the above regulation has changed the grounds for restricting divorce from a wife who has given birth to a child less than a year old to “bringing a child under twelve months old”. This change is appropriate, because it predicts more clearly and appropriately that the reason for the restriction of divorce is that of raising a child under twelve months of age, compared with the basis after the wife has given birth a year. There may be cases where the wife gives birth to a child after a very short time (for example, 3 months), then unfortunately the child dies, then it is not necessary to limit the husband's right to divorce. The husband should be restricted from divorce only when the wife is raising a child under twelve months of age.

Legal provisions on restriction of divorce according to the Law on Marriage and Family of Vietnam 2014

In Clause 3, Article 51 of the Law on Marriage and Family of Vietnam 2014 stipulates on the issue of divorce restriction as follows: “A husband has no right to request a divorce when his wife is pregnant, gives birth or is nursing an under-12-month child” . Basically, this provision is similar to the regulation on divorce restriction in the Law on Marriage and Family of Vietnam 2000, with the addition of the additional grounds for restricting divorce as the wife “gives birth”. There is an opinion that this change is completely appropriate to protect the wife when she is giving birth and the husband requests a divorce. However, practice shows that the period when the wife is determined to give birth is usually a fairly short time, as fast as a few hours, as long as no more than 1 week. At the same time, it is also rare for the husband to ask for a divorce at this sensitive time. Therefore, the above addition is absolutely necessary, theoretically guaranteed, but has little practical significance¹¹. Another opinion is that "the intention of the legislator when adding this case is to limit the right to request a divorce for the husband in case the wife performs surrogacy"¹².

2.2. Current Vietnamese law on divorce restriction

¹¹ Hoang Thi Hai Yen (2016), Some opinions on limiting husband's right to request divorce under the Law on Marriage and Family 2014, *Democracy & Law Review*, No. 9(294) – 2016, p. 15.

¹² Nguyen Thi Le Huyen, Nguyen Son Hai (2022), codifying marriage and family law with relevant documents on surrogacy regulations and recommendations for improvement, *Proceedings of international conferences: France Codifying civil law in Asia: Achievements and challenges – University of Law – Hanoi National University, University of Law – Hue University, Trung Nam University of Economics and Law.*

As mentioned above, according to current Vietnamese law, the divorce restriction is regulated as follows: “A husband has no right to request a divorce when his wife is pregnant, gives birth or is nursing an under-12-month child” . When presenting and analyzing the restriction on the right to divorce in the current Vietnamese law, it is necessary to mention the following two basic contents: (1) Subjects with restricted divorce rights; and (2) Grounds for restriction of the right to divorce.

Firstly, subject has limited right to divorce: From the Law on Marriage and Family 1959 up to now, Vietnamese law stipulates that only the husband's right to divorce is limited, while the wife's right is not restricted. This. Because the wife (women) is a vulnerable subject as defined in international and national human rights law, this subject should be protected by not allowing her husband to divorce under certain circumstances. However, if the wife is the one who wants a divorce, this right will not be restricted.

Secondly, the grounds for restricting the right to divorce: The grounds for restricting divorce in current Vietnamese law include: the wife is pregnant, giving birth and raising a child under 12 months old.

Currently, Vietnamese law has accepted the case of surrogacy for humanitarian purposes, the problem is how to limit divorce in the surrogacy relationship for humanitarian purposes. In the surrogacy relationship for humanitarian purposes, it is necessary to consider limiting divorce in two basic cases: (a) in the relationship between the spouses requesting surrogacy; and (b) in the conjugal relationship of the requested surrogacy party.

(a) Limiting divorce in the relationship of the spouses requesting surrogacy: It is suggested that the provision “Husbands do not have the right to request divorce in cases where the wife is pregnant, giving birth or raising children under 12 months old” in Clause 3, Article 51 of the Law on Marriage and Family of Vietnam 2014 does not apply to the husband in the couple asking for surrogacy when the surrogate woman is pregnant¹³. Because, according to the provisions of Clause 2, Article 98 of the Law on Marriage and Family of Vietnam 2014 stipulating, “The rights and obligations of the party requesting surrogacy for humanitarian purposes for the child arise from the time the child is born out”, so during the time the surrogate woman is pregnant, the husband in the surrogate couple is not subject to restriction of his right

¹³ Nguyen Thi Le Huyen, Nguyen Son Hai (2022), codifying marriage and family law with relevant documents on surrogacy regulations and recommendations for improvement, Proceedings of international conferences: France Codifying civil law in Asia: Achievements and challenges – University of Law – Hanoi National University, University of Law – Hue University, Trung Nam University of Economics and Law.

to divorce his wife. Although, the husband in this relationship is not restricted in his right to divorce when the surrogate woman is pregnant, but the husband will have his right to limited divorce when the spouse asking for the surrogacy receives the child because at the time of surrogacy. In this case, the wife who asks for surrogacy will fall into the situation of “bringing a child under 12 months old”. However, the question is that from the time the surrogate woman gives birth to before the time the gestational surrogacy couple receives the child, does the husband in the surrogacy couple have limited divorce rights? or not? The current Vietnamese law does not have a really clear answer in this case. In our opinion, from the time the gestational surrogacy woman gives birth, the husband will have limited divorce rights, because the rights and obligations of the party requesting surrogacy for humanitarian purposes for the child arise from the moment the child is born.

(b) Restrictions on divorce in the relationship of the spouses of the spouses who are asked for surrogacy: When a woman who is asked for surrogacy has a husband, will this woman's husband be restricted from divorce during the period of his wife's divorce? Are we surrogacy or not? And if it is restricted, when will it be restricted? It is time to hand over the child to the surrogate couple or to the end of the maternity leave of the surrogate wife. According to the provisions of Clause 1, Article 97 of the Law on Marriage and Family of Vietnam, “the husband of the surrogate mother has the same rights and obligations as parents in taking care of reproductive health and taking care of and raising children until the time of birth. point of handing over the child to the party asking for surrogacy”. Besides, at Point d, Clause 3, Article 95 of the Law on Marriage and Family of Vietnam 2014 stipulates that “In case a surrogate woman has a husband, the husband's written consent is required”. With the above two provisions, it can be seen that the husband of the surrogacy partner is still limited in his right to divorce when his wife is surrogate for the surrogacy couple. However, Vietnamese law does not specify the time limit for the husband's right to divorce in this case, until handing over the baby to the gestational surrogacy party or until the time expires maternity leave of the gestational surrogacy wife or in case the surrogacy requesting spouse refuses to accept the child, the surrogacy woman's husband will be restricted from divorce until then.

A next issue that needs to be raised in limiting the right to divorce is whether the husband and wife adopt a child under 12 months old, whether the husband has the right to divorce or not. The provisions of Clause 3, Article 51 of the Law on Marriage and Family of Vietnam 2014 on restriction of divorce do not stipulate a distinction in the case of husband and wife adopting

children, so the husband will have his right to divorce if the spouse wife is raising a child under 12 months old.

2.3. Some shortcomings and limitations in the provisions of Vietnamese law on divorce restriction

Through the presentation and analysis of the provisions of Vietnamese law on divorce restrictions, it can be seen that this provision still has some shortcomings and limitations as follows:

Firstly, there are no regulations restricting the divorce rights of the couple requesting surrogacy when the person being asked for surrogacy is pregnant. In the case where the couple asking for surrogacy is being asked by the other party to get pregnant, it is thought that the couple using surrogacy should have limited divorce rights. Because, if the couple asked for surrogacy in this case, it will greatly affect the psychology of the surrogacy woman about the responsibility of the couple asking for surrogacy during the remaining pregnancy. and the responsibility to receive the baby after it is born... Therefore, in order to ensure the interests of the woman who is asked for surrogacy as well as to avoid adverse effects on the fetus, the law should limit the right to divorce. marriage of both husband and wife of the surrogacy requesting party when the woman on the requested surrogacy party is pregnant.

Secondly, there are no specific regulations or guidelines on the limitation period for a husband's right to divorce in case the wife is surrogacy for another person: When the wife in the couple is asked to carry out surrogacy according to the Under Vietnamese law, the husband's right to divorce is still limited. However, the law has not specified how long the husband will be limited in his right to divorce. Because, according to the law, after giving birth, the party asked for surrogacy will have to hand over the child to the party asking for surrogacy, at this time the woman asked for surrogacy will not be in a The situation is raising children under 12 months old, so there is no basis to determine the limited period of the husband in this case until the wife raises the child until he is full 12 months old.

2.4. Some recommendations to improve the provisions of Vietnamese law on divorce restriction

On the basis of some shortcomings in the provisions of Vietnamese law on divorce restriction mentioned above, the article proposes some recommendations to improve the legal provisions on marriage conditions as follows:

Firstly, Vietnamese law needs to supplement regulations restricting the divorce rights of the spouses of the pregnancy requesting party while the woman on the gestational carrier is pregnant, in order to ensure the interests of the pregnant woman, households and fetuses.

Secondly, the competent authority should soon issue a document guiding the time limit for the husband's right to divorce in the couple being asked for surrogacy. It is thought that the time limit for restricting the husband's right to divorce in this case should be determined from the time the wife in the surrogate couple becomes pregnant until the end of 60 days from the time the woman is asked to become pregnant. birth midwife. Because, according to current Vietnamese law, the surrogate woman is entitled to 60 days of maternity leave to recover her health, so it is necessary to limit the divorce rights of the surrogacy husband within this period in order to avoid adverse effects on the psychology and health of the surrogate mother.

3. CONCLUSION

The provisions of Vietnamese law on divorce restriction are basically consistent with the requirements of practice. However, the provisions on divorce restriction in Vietnamese law still reveal some shortcomings related to the restriction of divorce in the case of surrogacy for humanitarian purposes. Some inadequacies can be mentioned such as not restricting the husband's right to divorce in the surrogacy requesting couple when the requested surrogacy party is pregnant. The law has not yet provided guidance on the limitation period for divorce of husbands in couples who are asked for surrogacy. The above problems need to be remedied soon so that the application of the law is unified and the legitimate rights and interests of relevant entities are guaranteed.

REFERENCES

- Vietnam's Constitution 2013;
- Law on Marriage and Family of Vietnam 1959;
- Law on Marriage and Family of Vietnam 1986;
- Law on Marriage and Family of Vietnam 2000
- Law on Marriage and Family of Vietnam 2014;
- Hoang Thi Hai Yen (2016), Some opinions on limiting the husband's right to request divorce under the Law on Marriage and Family 2014, *Democracy & Law Review*, No. 9(294) – 2016;
- Nguyen Thi Le Huyen, Nguyen Son Hai (2022), codifying marriage and family law with relevant documents on surrogacy regulations and recommendations for improvement, *Proceedings of international conferences: France Codifying civil law in Asia: Achievements and challenges – University of Law – Hanoi National University, University of Law – Hue University, Trung Nam University of Economics and Law.*

RUDIMENTARY PRINCIPAL OF MARKETING WHY PAKISTANI MARKET NOT BEEN UNWAVERING ACCORDING TO WORLDWIDE PRINCIPAL OF MARKETING SYSTEM

ALQUMA NOOR

ILMA University, Karachi

MUHAMMAD FAISAL

Allama Iqbal Open University

Director (HRIMS), Ministry of Human Rights Commission, Pakistan.

ORCID ID: 0000-0002-5797-766X

ABSTRACT

Understanding the stability of the Pakistani market compared to worldwide principles of marketing systems requires examining multiple factors. Understanding customer needs and wants and aligning products and services accordingly. Offering unique value propositions to stand out in the market. Optimizing product, price, place, and promotion strategies. Building trust and transparency with stakeholders. Frequent changes in government policies, high fiscal deficits, and fluctuating currency exchange rates can create uncertainty and discourage investment. Lack of adequate transportation, communication, and energy infrastructure can hinder efficient production and distribution of goods and services. Dependence on a few key sectors like textiles, agriculture, and remittances can make the market vulnerable to external shocks. Corruption, bureaucratic hurdles, and inefficient legal systems can discourage investment and hinder business growth. Difficulty accessing loans and other financial resources can restrict the growth of small and medium-sized enterprises (SMEs). The Pakistani market also exhibits positive aspects like a young and growing population, a vibrant entrepreneurial spirit, and a strategic geographical location. Recent developments like the IMF agreement and improved political stability offer hope for future progress. While some aspects of the market might diverge from "worldwide principles," it's crucial to consider the unique context and historical factors shaping the Pakistani economy. For a deeper understanding, consider researching specific sectors within the Pakistani market, analyzing recent economic reports and news articles, and consulting expert opinions from economists and business leaders. This is a complex topic with various perspectives and nuances. My aim is to provide a starting point for your exploration, and I encourage you to delve deeper to form your own informed opinion. Marketing principles offer valuable tools for enhancing competitiveness, building trust, and promoting growth in the Pakistani market. By combining strategic marketing efforts with broader economic and social reforms, Pakistan can pave the way for a more stable and prosperous future. While marketing principles can't single-handedly solve the complex challenges affecting Pakistan's market stability, they can definitely play a crucial role in

improving it. Conduct thorough market research to understand consumer needs, preferences, and behaviors across different demographics and regions. Develop marketing strategies based on insights, tailoring products, services, and messaging to resonate with specific customer segments. Increase brand awareness and trust through transparent communication and ethical practices. Focus on innovation and differentiation, offering unique value propositions that set businesses apart from competitors. Invest in quality products and services that meet international standards and cater to evolving customer demands. Develop strong brand identities that reflect Pakistani heritage while appealing to a global audience. Optimize pricing strategies to balance profitability with affordability and market competitiveness. Utilize appropriate distribution channels to reach target customers efficiently, considering both traditional and digital avenues. Emphasize effective promotion strategies, leveraging digital marketing, social media, and targeted advertising to reach wider audiences. Encourage collaboration between businesses, government agencies, and academic institutions to share best practices and develop innovative solutions. Invest in training and capacity building for marketing professionals to enhance their skills and knowledge of global practices. Promote knowledge sharing and exchange of ideas through seminars, workshops, and online platforms. Fostering a predictable and transparent environment that encourages investment and growth. Investing in transportation, communication, and energy infrastructure to improve efficiency and competitiveness. Expanding into new sectors and promoting innovation to reduce reliance on a few key industries. Streamlining processes, reducing corruption, and ensuring fair competition. Expanding access to finance, especially for SMEs, to fuel entrepreneurship and economic activity.

Keywords: aligning, fluctuating, adequate, entrepreneurial, competitiveness, reliance.

AI SOFTWARE ARCHITECTURE IS THE BLUEPRINT OF AN AI SYSTEM IS BUILT, ORGANIZED, AND CONNECTED BY PYTHON

MUHAMMAD FAISAL

Allama Iqbal Open University

Director (HRIMS), Ministry of Human Rights Commission, Pakistan

ORCID ID: 0000-0002-5797-766X

Reema Shaheen

Ph.D. Scholar – Faculty of Computer Science and Information Technology, Universiti Malaysia Sarawak

(UNIMAS) and Lecturer – Deanship of eLearning & IT, Jazan University

ORCID ID: 0000-0002-9454-9250

MUNIR AHMAD

National University of Science and Technology, Islamabad, Pakistan.

ABSTRACT

Dr Faisal detected the AI software architecture is accurate, it acts as the foundational framework that dictates how different components within an AI system work together effectively. Efficiently the AI system can execute its tasks and handle data processing. Ability to adapt and grow in response to increasing demands or requirements. Consistent and dependable operation without unexpected failures or errors. Protection against unauthorized access, data breaches, and other malicious activities. Ease of modifying and updating the system as needed, ensuring its continued relevance and functionality. By carefully designing an AI software architecture, developers can ensure that their system is not only powerful but also robust, secure, and flexible enough to adapt to future needs. While Python can be used in various aspects of AI development, including building specific models and algorithms, it's not directly applicable to designing the entire software architecture of an AI system. Handling large datasets and complex computations across multiple machines. Managing the flow and preparation of data for training and inference. Setting up the infrastructure to run the trained model in production. Tracking the system's performance and identifying potential issues. These areas often involve other technologies like cloud platforms, distributed computing frameworks (e.g., Apache Spark), containerization tools (e.g., Docker), and specialized libraries depending on the chosen AI techniques. Using Python libraries like Pandas, NumPy, and Scikit-learn to clean, manipulate, and transform data for use in AI models. Implementing algorithms like machine learning models and deep learning networks using libraries like TensorFlow or PyTorch. Utilizing Python scripts to automate various steps within the development pipeline, saving time and effort. Therefore, understanding the broader AI software architecture principles is crucial, while Python proficiency becomes valuable for tackling specific tasks within that architecture. Breaks down the software system into smaller, independent services that communicate through well-defined APIs. This promotes

scalability, maintainability, and resilience by isolating components and allowing them to evolve independently. It's particularly well-suited for large, complex systems and projects with continuous development cycles. This approach emphasizes aligning the software's architecture with the specific domain and its underlying business concepts. It focuses on building a ubiquitous language shared by developers and domain experts, leading to a clear, maintainable, and well-structured architecture. This method is beneficial when dealing with complex domains and ensuring the software aligns with business needs. This method uses events to trigger actions within the system. Components communicate by publishing and subscribing to events, fostering loose coupling and asynchronous communication. This architecture is advantageous for real-time systems, large-scale distributed systems, and scenarios requiring high responsiveness. This approach prioritizes defining and designing the system's application programming interface (API) before other aspects. It promotes loose coupling, reusability, and easier integration with other systems. This method is valuable for systems with a high focus on external integrations and web services. Larger and more complex systems might benefit from microservices or EDA for better scalability and maintainability. DDD can be particularly useful for complex domains where aligning with business concepts is crucial. Real-time and responsiveness requirements: EDA is well-suited for scenarios where real-time communication and responsiveness are essential. API-first design shines in projects with extensive external integrations and web services. It's often not a case of using a single, rigid method but rather an informed and adaptable approach that considers project specifics and utilizes elements from various architectures to find the best fit.

Keywords: unexpected, computations, broader, ubiquitous, fostering, scenarios.

FACTORS THAT INFLUENCE TAX AVOIDANCE

Winarsih
Khoirul Fuad
Accounting Department, Universitas Islam Sultan Agung, Faculty of Economics
Indonesia

ABSTRACT

Taxes are a source of income for the state. Empirically proving the relationship between profitability, firm size and leverage on tax avoidance is the aim of this research. We used 196 observational data from financial sector companies in Indonesia. Observational data was obtained from 2020 to 2022. Sample selection was in accordance with established criteria in order to obtain selective results. WarpPLS version 7.0 was used as a data analysis tool. Research findings show that profitability and firm size influence tax avoidance, however leverage has no influence on tax avoidance. The implication of this research is the importance of carrying out tax planning for companies.

Keywords: profitability, firm size, leverage, tax avoidance.

INTRODUCTION

One of Indonesia's sources of state income comes from taxes. Therefore, the state requires and forces every resident in Indonesia to fulfill its obligations by paying taxes in accordance with applicable regulations. The performance of tax revenues in a country can be measured one way by using the tax ratio. This tax ratio will have a positive impact on the economy in Indonesia. In the last five years, the development of the tax ratio in Indonesia has fluctuated, it can be seen that the tax ratio in 2017 was 9.89%. In 2018 the tax ratio increased to 10.24%. However, in 2019 and 2020 it decreased to 9.77% and 8.33%. Meanwhile in 2021 it will increase to 9.11%.

Even though the Indonesian government hopes that the tax ratio will always increase every year. So the Indonesian government is increasingly forcing its population to contribute to tax payments. However, this has become a boomerang for the Indonesian population because of the many types of taxes that exist in Indonesia and must be paid. For this reason, taxpayers try to avoid paying taxes. There are several strategies carried out by taxpayers, one of which is known as tax avoidance.

Tax avoidance is tax planning carried out by utilizing loopholes in tax laws and regulations, in order to cut or divert the tax owed while still complying with tax laws and regulations in Indonesia. Tax avoidance basically means that it is legal and does not violate tax

provisions, but rather the amount of state tax revenue that will have an effect. Tax avoidance is a number of tax payments charged to taxpayers that are less than they should be by interpreting existing law, payment of contributions is made by taxpayers by ensuring that the payment of the tax owed comes from profits that have been designed, but not from profits earned and delaying payments the debt is made by the taxpayer intentionally so that tax avoidance is in the gray area or unclear tax regulations that are between tax compliance and tax evasion.

There are many factors that influence tax avoidance. One of these factors is profitability. Profitability ratios are ratios that explain the condition of a company, how effective it is in managing and receiving profits. When the company's profitability is high, tax avoidance will tend to be carried out by the company. This is in accordance with the findings of (Kurniawati & Prasetyo, 2023), (Marsahala et al., 2020), (Siregar et al., 2020), (Waruru & Kartikaningdyah, 2019) and (Lanis & Richardson, 2012) which explains that Profitability influences tax avoidance. However, these findings are different from the findings of (Sunarto et al., 2021), (Faradisty et al., 2019), and (Alfina et al., 2018) which state that tax avoidance is not influenced by profitability.

Another factor is firm size. Firm size is a measure that classifies a company into a group which can be seen from the total assets the company owns. Large companies tend to be able to generate stable profits. Large companies tend to have the ability to obtain more stable profits than small companies. Large companies also tend to have good resources in managing their taxes. Large and stable profits coupled with the resources they have will tend to encourage companies to avoid taxes (Nicodème, 2007). This explanation is in accordance with (Sopiyana, 2022) and (Siregar et al., 2020) which state that firm size has an effect on tax avoidance. However, (Kurniawati & Prasetyo, 2023) and (Waruru & Kartikaningdyah, 2019) state that firm size has no effect on tax avoidance.

Apart from firm size, leverage can also affect tax avoidance. Leverage arises because the company finances its assets using loans with the consequence of paying interest. This means that the more assets a company has using loans, the higher its leverage. The higher the company's leverage, the more it will affect company tax payments. This is because the interest burden borne by the company can reduce company tax payments. So the higher the leverage, the more influence it will have on tax avoidance (Siregar et al., 2020). However, this is not in accordance with (Kurniawati & Prasetyo, 2023) and (Sopiyana, 2022) which state that leverage has no effect on tax avoidance.

The variety of previous research findings and the phenomena that occur are the reasons why this research is interesting to re-examine. So the research question is do profitability, firm size, and leverage have an effect on tax avoidance?

LITERATURE REVIEW

Agency Theory

Agency theory is a theory that discusses the problems that occur between the relationship between one party (principal) delegating work to another party (agent). Agency problems will usually occur if differences in interests arise between the principal and agent (Jensen & Meckling, 1976). The agency theory perspective sees the cause of potential conflicts that can affect the quality of financial report information due to the separation between the principal and the agent. Information between the agent and the principal must be in harmony, otherwise information asymmetry will occur. Information asymmetry will cause conflicts of interest. In agency theory, conflict of interest is assumed that all individuals involved act in accordance with their respective interests.

Differences that often occur between principals and agents can influence various matters relating to company performance, one of which is company policy regarding taxes. The relationship between agency theory and tax avoidance is due to the fact that most taxpayers, and especially corporate taxpayers, consider paying taxes as a burden because financial resources that must be used for quality improvement or investment must be transferred from the business sector to the public sector, thereby reducing purchasing power. . The result is the emergence of a conflict of interest. Therefore, managers who are responsible for paying corporate taxes, are ultimately committed to lowering costs, including paying taxes, to optimize benefits. This is in line with human nature according to agency theory, which proposes that most people are born with selfish tendencies. In accordance with agency theory according to (Jensen & Meckling, 1976), managers are responsible for managing shareholder assets under all conditions, including uncertain conditions in the business environment. Therefore, managers are needed and expected to maximize the assets and utilities owned by the company in order to survive in these conditions. Based on agency theory, any highly uncertain environment will encourage managers to consider tax planning to manage taxes, namely through tax avoidance (Ariefiara et al., 2019). This is an example of profitability, which can be seen as to how much profit the company has and as a tax object. The amount of profit the company has will influence future decisions. If profits increase, the company will try to minimize profits to avoid taxes.

Tax Avoidance

Tax avoidance is a term used to describe legal regulations related to taxation that are fair and appropriate so as to reduce the base for imposition or tax obligations borne. Tax avoidance is usually carried out with the aim of taking advantage of opportunities, ambiguities or anomalies contained in tax law. Tax avoidance is a method used by taxpayers to reduce tax payments. Tax avoidance is carried out in a way that does not conflict with and does not violate applicable rules and regulations. Differences in interests have an impact on companies avoiding tax. The higher the level of awareness that taxpayers have in running their business, the higher the level of awareness of compliance. For multinational companies, tax avoidance efforts can be made by diverting part of subsidiary profits to companies operating in countries that prefer lower rates. The ratio to measure tax avoidance is to measure the difference between accounting profit and fiscal profit, namely accounting profit - fiscal profit divided by total assets. The effort made is to speed up depreciation, the depreciation value obtained will be greater, this is a concrete effort made for tax avoidance. Tax avoidance is included as a strategy in tax planning. Tax planning needs to be carried out by corporate and corporate taxpayers in order to be able to manage their tax management so as to increase performance efficiency, with correct management the tax burden will be reduced.

Profitability

The aim of profitability is to see the company's ability to generate profits in a certain period and the level of management effectiveness during operating activities. In this research, profitability is proxied by return on assets (ROA). ROA is a ratio that shows the return on the number of assets used in the company. When the profitability ratio is high and tends to be stable, supported by good financial management, then one of the financial management efforts to maintain high profits requires tax planning. Companies that have a high profitability value have the opportunity to position themselves in tax planning which aims to minimize the tax burden owed (Chen et al., 2010). When a company's profitability is high, the tax burden that must be paid will also increase, so companies tend to engage in tax avoidance. If profits increase, the company will try to minimize profits to avoid taxes. This is in accordance with agency theory which explains the differences in interests between the principal and the agent (Jensen & Meckling, 1976). This explanation is in accordance with research findings (Kurniawati & Prasetyo, 2023), (Marsahala et al., 2020), (Siregar et al., 2020), (Waruru & Kartikaningdyah, 2019) and (Lanis & Richardson, 2012) which state profitability influence on tax avoidance. Through the description above, the following hypothesis can be stated:

H1: profitability influences tax avoidance

Firm Size

Firm size is a scale that can classify companies into large and small companies according to various methods such as total assets and sales level. Companies that are included in the group of large companies will be more able to generate profits and be stable compared to small companies. The high profits obtained will cause the company's tax obligations to become greater so that there is a tendency for companies to practice tax avoidance. Apart from that, companies that fall into the large group also tend to have good resources to manage their tax burden. Small scale companies tend to have inadequate human resources to take advantage of tax weaknesses in order to avoid the high income tax obligations that will be borne by the company (Nicodème, 2007). companies are increasingly doing. This is in accordance with agency theory which explains the differences in interests between the principal and the agent (Jensen & Meckling, 1976). This explanation is in accordance with research findings (Sopiyana, 2022) and (Siregar et al., 2020) which state that firm size has an effect on tax avoidance. Through the explanation above, the following hypothesis can be generated:

H2: firm size influences tax avoidance.

Leverage

Leverage arises because the company finances its assets using loans with the consequence of paying interest. This means that the more assets a company has using loans, the higher its leverage. The higher the company's leverage, the more it will affect company tax payments. This is because the interest burden borne by the company can reduce company tax payments. So the higher the leverage, the more influence it will have on tax avoidance (Siregar et al., 2020). This is in accordance with agency theory which explains the differences in interests between the principal and the agent (Jensen & Meckling, 1976). This explanation is in accordance with research findings (Siregar et al., 2020) which state that leverage has an effect on tax avoidance. Through the explanation above, the following hypothesis can be generated:

H3: leverage has an effect on tax avoidance.

METHOD

The population in the research is companies listed on the Indonesia Stock Exchange (IDX) in 2020-2022, while the sample is companies in the financial sector that meet the specified criteria. The criteria set are that financial sector companies are registered on IDX for the 2020-2022 period, the company does not experience losses, the company always pays taxes,

the company always has clean fixed assets. The analysis tool used to find this finding is WarpPLS version 7.0.

Tax avoidance (ETR) is measured using the ratio between tax payments compared to profit before tax. To measure profitability, it is proxied using ROA, namely by using the ratio between net profit after tax compared to the total assets owned by the company. Firm size is measured using the natural logarithm of the total assets owned by the company in a specified period. Leverage measurement uses DAR, namely by using the ratio between debt compared to the total assets owned by the company.

RESULT AND DISCUSSION

Based on the predetermined sample criteria, 196 observation data were obtained. This data was obtained after going through a sample elimination process based on established criteria. From a total of 310 observation data, an elimination process was carried out consisting of 69 observation data experiencing losses so they had to be eliminated from the sample, 39 observation data did not make tax payments so they had to be eliminated from the sample, and 6 data did not have clean fixed assets so they had to be eliminated. So the total data observed was 196 data.

WarpPLS analysis version 7.0 is used as a data processing tool. The results of data analysis are shown in table 1.

Table 1 Model Fit and Quality Indices

Num.	Model fit and quality indices	Criteria Fit	Result	Annotation
1	Average path coefficient (APC)	$p < 0.05$	0.240 (P<0.001)	Accepted
2	Average R-squared (ARS)	$p < 0.05$	0.062 (P=0.077)	Rejected
3	Average adjusted R-squared (AARS)	$p < 0.05$	0.055 (P=0.091)	Rejected
4	Average block VIF (AVIF)	acceptable if ≤ 5 , ideally ≤ 3.3	1.087	Ideally
5	Average full collinearity VIF (AFVIF)	acceptable if ≤ 5 , ideally ≤ 3.3	3.728	Accepted
6	Tenenhaus GoF (GoF)	small ≥ 0.1 , medium ≥ 0.25 , large ≥ 0.36	0.249	Small

Source : secondary data, 2023

APC with fit criteria <0.05 and the results obtained are 0.240, it is said that this result is accepted because it meets the specified fit criteria. The ARS value is 0.062 with a P value = 0.077 which means the result is rejected. Likewise with AARS with a criterion of $p < 0.05$ with a result of 0.055, it is said that this result is rejected. The AVIF value with the fit criteria will be accepted if ≤ 5 and if ≤ 3.3 then it is ideal. Research findings show a value of 1,087 which means that the results are ideal. For AFVIF with fit criteria, it will be accepted if ≤ 5 and if ≤ 3.3 then it is ideal and the results obtained, namely 3,728, are declared as accepted. The GoF value with the fit criteria is stated as small ≥ 0.1 , medium ≥ 0.25 , large ≥ 0.36 and the results obtained in this model, namely 0.249, can be interpreted as meaning that this model is included in small.

Research findings based on the results of data processing can be seen in Figure 1 below:

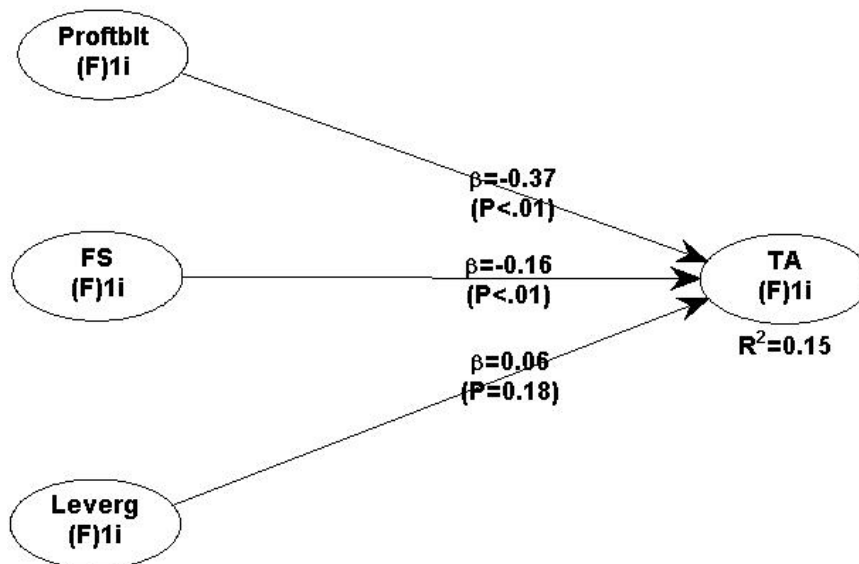


Figure 1. Research Result Source: secondary data, 2023

The Effect of Profitability on Tax Avoidance

The profitability variable has an influence on tax avoidance, this is explained by the results of data processing presented in figure 1. These results show that the p value of profitability on tax avoidance is <0.01 . Based on the test requirements, because the profitability p value is smaller than 0.05, the hypothesis is accepted. This means that when the profitability obtained by the company is high, the profits obtained by the company will also be high so that the contribution to paying taxes will also be high and this will be used as a basis for the company to carry out tax avoidance by shifting the tax burden it owes so that the tax owed is minimal. This explanation is in accordance with agency theory explained by (Eisenhardt, 1989) which states that agency theory emphasizes the egoism factor. Companies will be more selfish when

faced with the obligation to pay taxes, they will prefer to pay low taxes rather than pay high taxes even though the profits earned by the company in that period are high. As long as tax avoidance is carried out in accordance with the applicable tax regulations, then this is not a problem.

This explanation is in accordance with research findings from (Chen et al., 2010) which explains that the high profitability obtained by companies can be used as an opportunity to carry out tax avoidance with the aim of reducing the payment of the tax burden owed. Apart from (Chen et al., 2010), the findings of this research are also in line with (Kurniawati & Prasetyo, 2023), (Marsahala et al., 2020), (Siregar et al., 2020), (Waruru & Kartikaningdyah, 2019) and (Lanis & Richardson, 2012), states that tax avoidance is influenced by profitability. However, (Sunarto et al., 2021), (Faradisty et al., 2019), and (Alfina et al., 2018) provide different findings, namely that tax avoidance is not influenced by profitability.

The Influence of Firm Size on Tax Avoidance

The firm size variable has an influence on tax avoidance, this is explained by the results of data processing presented in figure 1. These results show that the p value of firm size on tax avoidance is <0.01 . Based on the testing requirements, because the p value of firm size is smaller than 0.05, the hypothesis is accepted. This means that when the company's firm size is high, the profits earned by the company will also be high so that the contribution to paying taxes will also be high and this will be used as a basis for companies to carry out tax avoidance by shifting the tax burden they owe so that the tax owed is minimal. This explanation is in accordance with agency theory explained by (Eisenhardt, 1989) which states that agency theory emphasizes the egoism factor. Companies will be more selfish when faced with the obligation to pay taxes, they will prefer to pay low taxes rather than pay high taxes even though the profits earned by the company in that period are high. As long as tax avoidance is carried out in accordance with the applicable tax regulations, then this is not a problem.

This explanation is in accordance with research findings from (Sopiyana, 2022) and (Siregar et al., 2020) which state that firm size has an effect on tax avoidance. However, this is not in accordance with (Kurniawati & Prasetyo, 2023) and (Sopiyana, 2022) which state that leverage has no effect on tax avoidance.

The Effect of Leverage on Tax Avoidance

The p value of the leverage variable is 0.18 or greater than 0.05 which means that the variable is not significant. The third hypothesis is rejected, leverage has no effect on tax avoidance. The bigger or smaller the leverage, the less influence it will have on tax avoidance.

This could happen because not all companies in this study use debt to finance their assets. By using increasingly large debt, this will create big risks that the company will face, so management is careful and does not take the risk of high debt to avoid taxes. The findings of this research are in accordance with (Kurniawati & Prasetyo, 2023) and (Sopiya, 2022) which state that leverage has no effect on tax avoidance. However, this is not in line with (Siregar et al., 2020) who found evidence to the contrary.

CONCLUSION

The conclusion obtained from this research is that profitability and firm size influence tax avoidance. However, leverage has no effect on tax avoidance. The implication of this research is that the implementation of tax planning in financial companies must be carried out optimally and in accordance with tax law regulations in order to reduce the level of tax avoidance and avoid errors occurring in the future. Tax avoidance actions are carried out by companies so that they can transfer tax burden payments to the following month or other methods that the company thinks are better provided that they do not violate tax regulations and can take advantage of existing loopholes. The limitation of this research is the low R² value, namely only 15%. So the suggestion for future research is to add more varied variables related to tax avoidance, for example other financial ratios or other factors that have a big influence on tax avoidance. Apart from that, you can also modify the research model used by using intervening variables or by adding moderating variables.

REFERENCES

- Alfina, I. T., Nurlaela, S., & Wijayanti, A. (2018). The Influence of Profitability, Leverage, Independent Commissioner, and Company Size to Tax Avoidance. *The 2nd International Conference on Technology, Education, and Social Science 2018*, 2018(10), 102–106.
- Arieftiara, D., Utama, S., Wardhani, R., & Rahayu, N. (2019). Contingent fit between business strategies and environmental uncertainty: The impact on corporate tax avoidance in Indonesia. *Meditari Accountancy Research*, 28(1), 139–167. <https://doi.org/10.1108/MEDAR-05-2018-0338>
- Chen, S., Chen, X., Shevlin, T., Chen, S., Chen, X., & Shevlin, T. (2010). Are Family Firms more Tax Aggressive than Non-family Firms? Are family firms more tax aggressive than non-family firms? * University of Texas at Austin University of Wisconsin-Madison. *Research Collection School of Accountancy*, 91(1), 41–61.
- Eisenhardt, K. M. (1989). Agency theory: An assessment and review. *The Academy of Management Review*, 14(1), 57–74. <https://doi.org/10.2307/258191>
- Faradisty, A., Hariyani, E., & Wiguna, M. (2019). The effect of corporate social responsibility, profitability, independent commissioners, sales growth and capital intensity on tax avoidance. *Journal of Contemporary Accounting*, 1(3), 153–160. <https://doi.org/10.20885/jca.vol1.iss3.art3>
- Jensen, M. C., & Meckling, W. H. (1976). Theory of the firm: Managerial behavior, agency costs and ownership structure. *Journal of Financial Economics*, 3, 305–360. [https://doi.org/10.1016/0304-405X\(76\)90026-X](https://doi.org/10.1016/0304-405X(76)90026-X)

- Kurniawati, F., & Prasetyo, T. U. (2023). Effects of Profitability, Leverage, and Firm Size on Tax Avoidance of F&B Companies Listed on IDX. *Cakrawala Bisnis*, 4(1), 11–20. <http://journal.stimykpn.ac.id/index.php/cb>
- Lanis, R., & Richardson, G. (2012). Corporate social responsibility and tax aggressiveness: An empirical analysis. *Journal of Accounting and Public Policy*, 31(1), 86–108. <https://doi.org/10.1016/j.jaccpubpol.2011.10.006>
- Marsahala, Y. T., Ariefiara, D., & Lastiningsih, N. (2020). Commissioner's competency effect of profitability, capital intensity, and tax avoidance. *Journal of Contemporary Accounting*, 2(3), 129–140. <https://doi.org/10.20885/jca.vol2.iss3.art2>
- Nicodème, G. J. A. (2007). Do Larges Companies Have Lower Effective Corporate Tax Rates? A European Survey. *Université Libre de Bruxelles (ULB)*, 7(1), 1–32. https://dipot.ulb.ac.be/dspace/bitstream/2013/53920/1/RePEc_sol_wpaper_07-001.pdf
- Putra, N. T., & Jati, I. K. (2018). Ukuran Perusahaan Sebagai Variabel Pemoderasi Pengaruh Profitabilitas pada Penghindaran Pajak. *E-Jurnal Akuntansi*, 25, 1234. <https://doi.org/10.24843/eja.2018.v25.i02.p16>
- Siregar, A. O., Masri, I., Susilawati, S., & Erlangga, A. P. (2020). The Influence of Profitability, Leverage, Company Size and Institutional Ownership with The Gender Diversification Moderation of The Board of Directors on Tax Avoidance. *The International Journal of Business Review (The Jobs Review)*, 3(2), 97–108. <https://doi.org/10.17509/tjr.v3i2.30075>
- Sopiyana, M. (2022). the Effect of Leverage and Firm Size on Tax Avoidance With Profitability As Moderating. *SCIENTIFIC JOURNAL OF REFLECTION : Economic, Accounting, Management and Business*, 5(1), 29–37. <https://doi.org/10.37481/sjr.v5i1.422>
- Sunarto, S., Widjaja, B., & Oktaviani, R. M. (2021). The Effect of Corporate Governance on Tax Avoidance: The Role of Profitability as a Mediating Variable. *Journal of Asian Finance, Economics and Business*, 8(3), 217–227. <https://doi.org/10.13106/jafeb.2021.vol8.no3.0217>
- Waruru, F. Z., & Kartikaningdyah, E. (2019). The Effect of Firm Size, ROA and Executive Character on Tax Avoidance. *Advances in Social Science, Education and Humanities Research*, 377(Icaess), 117–124. <https://doi.org/10.2991/icaess-19.2019.23>

EFFECT OF MINIMUM INVESTMENT CAPITAL AND INVESTMENT RETURN ON INVESTMENT INTEREST

**Winarsih
Khoirul Fuad**

Accounting Department, , Faculty of Economics Universitas Islam Sultan Agung
Indonesia

ABSTRACT

This study aims to find empirical evidence regarding minimum investment capital and investment returns on students' investment interest in the capital market. Quantitative methods were used in this research. The population of this study were students in the city of Semarang, Indonesia. The sample was determined by accidental sampling so that 201 respondents were obtained from several universities in the city of Semarang, Indonesia. This research was conducted using primary data based on the theory of planned behavior. WarpPLS is used as a data analysis tool. This study shows that minimum investment capital and investment returns influence students' investment interest in the capital market. The implication of this research is the importance of investing, especially for students who have small capital to invest to increase income.

Keywords: Minimum capital, Return on investment, Investment interest, Students.

INTRODUCTION

Even though 2020 experienced a pandemic and the government implemented large-scale social restrictions, people still did their business by choosing to invest in the capital market rather than doing real business because of the bad conditions during the pandemic. The Indonesian Central Securities Depository shows that there is a significant increase in investment interest in the capital market. This is shown by data sourced from the Indonesian Central Securities Depository statistical data (KSEI, 2023) that there has been an increase in the number of investors in the last five years, starting from 2018 to 2022. The increase was 1,619,372 investors respectively in 2018, an increase to 53.41%, namely 2,484,354 investors in 2019. It increased again by 56.21% to around 3,880,753 investors in 2020, increasing to 92.99%, namely 7,489,337 investors in 2021. And in 2022 it increased by 37.68% namely 10,311,152 investors. This increase is smaller compared to the last three years.

This data explains that there are several things that can influence investment interest. These factors include minimum investment capital and investment returns. Investment interest is the feeling of someone who has a high desire to carry out investment activities in order to gain profits in the future. A potential investor is interested in investing when he has sufficient capital. Minimum investment capital can also influence investment interest. The minimum investment capital is a consideration, because there is an estimated calculation of the funds used

to carry out investment activities. The minimum money required to make an investment, the greater the interest in investing in the capital market. Moreover, if a student makes an investment, he will think more about it, because of the initial capital that must be spent and a student who does not have a steady income to invest. (Mayangsari et al., 2024), (Romadon, 2023), (Umiyati et al., 2023), (Abni & Trisnawati, 2022), (Herdjiono & Jumiati, 2022), (Hidayahati & Suwarno, 2022), (Rozak et al., 2022), (Ardiana et al., 2020), stated that minimum investment capital influences investment interest in the capital market. However, (Adela Putri et al., 2023) explains that the minimum investment capital has no effect on investment interest.

Apart from the minimum investment capital, investment returns can also influence interest in investing. Return is a profit obtained from an investment in making an investment. With the results of investing in an investment, investors will be increasingly interested in investing in the capital market. (Fajriyah & Barokah, 2023), (Murwaniputri & Bleskadit, 2023), (Umiyati et al., 2023), (Hidayahati & Suwarno, 2022), stated that investment returns influence investment interest in the capital market. However, (Herdjiono & Jumiati, 2022), stated the opposite that investment returns have no effect on investment interest.

The significant increase in investment growth during the pandemic is surprising, especially since the pandemic is a difficult time financially, but people prefer to channel their funds to invest rather than opening a real business. The inconsistency of previous studies shows that this study is interesting to review. So the question of this study is whether the minimum investment capital and investment returns influence the investment interest of students in the city of Semarang, Indonesia in the capital market?

LITERATURE REVIEW

Theory of Planned Behavior

The theory of planned behavior or theory of planned behavior is a theory developed from the Theory of Reasoned Action. Theory of Planned Behavior (TPB), Ajzen and Fishbein (1980) assumes that humans are rational creatures and systematically use information that allows them to carry out certain behavior. A person will think about the implications of his actions before deciding to carry out a certain behavior. The aims and benefits of TPB include predicting and understanding motivational influences on behavior that are not under the individual's own control or will. This theory also identifies strategies for creating behavior change and explains each important aspect of several human behaviors. This theory explains

that a person's visible behavior is determined by the intentions underlying that behavior. Intention shows how much someone has a desire to do something or perform a behavior. This theory contains three things in individual behavior such as belief in the outcome of something that is possible as well as behavior that has been evaluated or behavioral beliefs, belief in norms as hope and motivation for the fulfillment of a desire or normative beliefs and also the existence of supporting or covering attitudes as well as awareness of factors. these or control beliefs (Ajzen, 1991).

Investment Interest

Interest refers to a person's feelings or self-awareness of their interest in something, be it an object, activity, topic, or even a particular goal. While Investment, on the other hand, refers to the action or commitment to set aside money now in order to gain benefits or profits in the future. Investments can take the form of purchasing shares, bonds, mutual funds, property, education, and others. Investment goals can be varied, such as capital growth, passive income, or achieving long-term financial goals. Investment interest is a person's activity to make an investment, and has different interests from one activity to another, after seeing, observing, and comparing and considering a person's needs with the efforts that have been made to plan and feeling happy.

Minimum Investment Capital for Investment Interests

Minimum investment capital is a consideration because there is an estimated calculation of funds for carrying out investment activities. The less capital required to make an investment, the higher the investor's interest in investing in the capital market. However, before carrying out investment activities, a student will have to think more about it, because of the minimum capital required for beginners and a student does not have a steady income to invest. Thus, the less capital is spent to invest, the greater the investor's interest in investing in the capital market.

Minimum investment capital has an influence on investment interest and has been supported by studies (Mayangsari et al., 2024), (Romadon, 2023), (Umiyati et al., 2023), (Abni & Trisnawati, 2022), (Herdjiono & Jumiati, 2022), (Hidayahti & Suwarno, 2022), (Rozak et al., 2022), (Ardiana et al., 2020). In connection with the theory of planned behavior, there must be a planned action for an investor before taking investment action in the capital market, that is, the prospective investor must think carefully about the minimum initial capital to start investing and by investing shares in the capital market, a prospective investor is like saving by investing for results in the future.

H1: Minimum investment capital has an influence on investment interest.

Investment Return on Investment Interest

Return is the income obtained from investing share capital in investing. Investment return is an achievement from an investment that has been made. Return and risk are interconnected in investing, where the greater the risk, the greater the return. Return and risk are interconnected and have a good relationship, if the risk is greater, the return obtained will also be greater. Therefore, the higher the return obtained, the greater the investor's interest in investing in the capital market.

Investment returns have an influence on investment interest and have been supported by studies (Fajriyah & Barokah, 2023), (Murwaniputri & Bleskadit, 2023), (Umiyati et al., 2023), (Hidayahti & Suwarno, 2022). This research is in accordance with the theory of planned behavior, the higher the return, the greater the risk, and vice versa, the lower the return, the lower the risk. For most prospective investors, before carrying out investment activities, prospective investors pay very close attention to the risks and returns of an investment. .

H2: Investment returns have an effect on investment interest.

METHOD

This study is a type of associative research. The population of this research is students in the city of Semarang, Indonesia. The research sample used accidental sampling, namely anyone who was met so that 201 respondents were obtained. Primary data was used for this study, by distributing questionnaires to respondents to fill in. This research uses Google Form as a data collection technique by distributing questionnaires to every student in the city of Semarang, Indonesia. This study uses quantitative data, because the research analyzes the answers to the questionnaire given to respondents based on the research object, which will then be presented in the form of numbers and processed using WarpPLS.

This study uses a Likert scale as a measurement tool. The Likert scale itself is used to measure every attitude, opinion and perception of each person or group of people regarding a social phenomenon (Burhanudin et al., 2021). The following research questionnaire questions for each variable are presented for respondents to answer.

Table 1. Operational definition

Num.	Variable	Item
1.	Minimum investment capital	<ol style="list-style-type: none"> 1. Many companies set a minimum initial investment capital of IDR 100,000 as the initial investment, this can make it easier for me to invest. 2. Investing is quite easy and affordable. 3. BEI determined that 1 lot was previously 500 shares to 100 shares, this change makes the minimum initial capital affordable. 4. A prospective investor can reduce or increase capital when investing in the capital market according to their abilities (Burhanudin et al., 2021).
2.	Return investment	<ol style="list-style-type: none"> 1. Investing in the capital market can provide very attractive profits. 2. When investing, you can get big profits according to the risks you take. 3. When investing, you will get quite large profits, this is a consideration for me when investing in the capital market. 4. Prospective investors must know that dividends and capital gains are profits obtained from investing activities (Burhanudin et al., 2021).
3.	Minat Investasi	<ol style="list-style-type: none"> 1. I am interested in investing because I know various information about investment. 2. I am interested in investing because it is promising. 3. I have received information about investing in the capital market. 4. I think investing activities are an interesting thing (Burhanudin et al., 2021).

RESULT AND DISCUSSION

To strengthen the research questions, validity and reliability tests need to be carried out. Below are presented the results of the validity and reliability tests

Table 2. Validity and Reliability Test Results

Variable	Indicator	r count	r table	Validity	Cronbach's Alpha	Reliability
Minimum Investment Capital	X1.1	0.666		Valid	0.768	Reliable
	X1.2	0.697	0.116	Valid		
	X1.3	0.688		Valid		

	X1.4	0.667		Valid		
	X2.1	0.777		Valid		
Return on Investment	X2.2	0.764	0.116	Valid	0.800	Reliable
	X2.3	0.760		Valid		
	X2.4	0.712		Valid		
	Y1.1	0.745		Valid		
Investment Interest	X1.2	0.796	0.116	Valid	0.804	Reliable
	Y1.3	0.771		Valid		
	Y1.4	0.756		Valid		

Source: Processed Primary Data, 2023

Based on table 2, it shows that all research questionnaire questions are reliable and valid.

Table 3 Model Fit and Quality Indices

Num.	Model fit and quality indices	Criteria Fit	Result	Annotation
1	Average path coefficient (APC)	$p < 0.05$	0.390 (P<0.001)	Accepted
2	Average R-squared (ARS)	$p < 0.05$	0.520 (P<0.001)	Accepted
3	Average adjusted R-squared (AARS)	$p < 0.05$	0.515 (P<0.001)	Accepted
4	Average block VIF (AVIF)	acceptable if ≤ 5 , ideally ≤ 3.3	1.979	Ideally
5	Average full collinearity VIF (AFVIF)	acceptable if ≤ 5 , ideally ≤ 3.3	2.192	Ideally
6	Tenenhaus GoF (GoF)	small ≥ 0.1 , medium ≥ 0.25 , large ≥ 0.36	0.721	Large

Source: Processed Primary Data, 2023

APC with fit criteria <0.05 and the results obtained are 0.390, it is said that this result is accepted because it meets the specified fit criteria. The ARS value is 0.520 with a $P<0.001$ which means the result is accepted. Likewise with AARS with a criterion of $p<0.05$ with a result of 0.515 with a $P<0.001$, it is said that this result is accepted. The AVIF value with the fit criteria will be accepted if ≤ 5 and if ≤ 3.3 then it is ideal. Research findings show a value of 1,979 which means that the results are ideal. For AFVIF with fit criteria, it will be accepted if ≤ 5 and if ≤ 3.3 then it is ideal and the results obtained, namely 2,192, are declared as ideal. The GoF value with the fit criteria is stated as small ≥ 0.1 , medium ≥ 0.25 , large ≥ 0.36 and the results obtained in this model, namely 0.721, can be interpreted as meaning that this model is included in large.

Research findings based on the results of data processing can be seen in Figure 1 below:

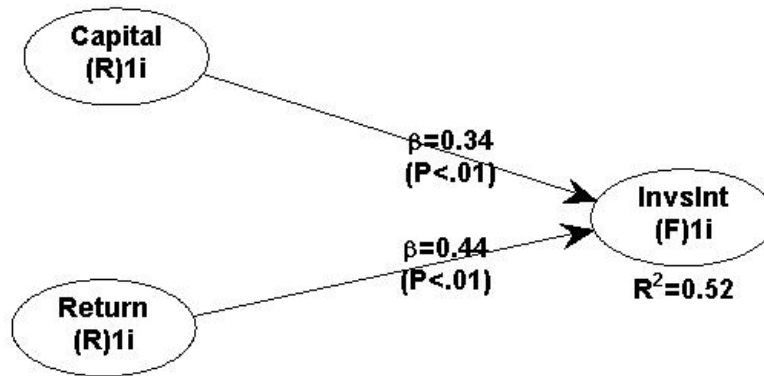


Figure 1. Research result

The Influence of Minimum Investment Capital on Investment Interest

Minimum investment capital is a consideration in calculating estimates of funds for investing. The minimum funds spent on investing, the higher investor interest in the capital market (Masrifah et al., 2022). In connection with the theory of planned behavior, there must be a planned action for an investor before taking investment action in the capital market, that is, the prospective investor must think carefully about the minimum initial capital to start investing and by investing shares in the capital market, a prospective investor is like saving by investing for results in the future. From the results of the data, respondents who have the highest indicator value, X1.1, with a value of $4.80 > 4.20$ from the interval value, which states that it is very affordable, this is because the respondent spent low initial funds, and can make investing easier.

The test results (see figure 1) show that the effect of minimum investment capital is 0.34 in a positive direction with a p value <0.01 , meaning the hypothesis is accepted in a positive direction. This proves that minimum investment capital influences interest in the capital market. This research is supported by (Mayangsari et al., 2024), (Romadon, 2023), (Umiyati et al., 2023), (Abni & Trisnawati, 2022), (Herdjiono & Jumiati, 2022), (Hidayahti & Suwarno, 2022), (Rozak et al., 2022), (Ardiana et al., 2020). However, the findings of this research are not the same as (Adela Putri et al., 2023) which states the opposite.

The Influence of Investment Returns on Investment Interest

Return is a profit from an investment that has been made. Return and risk are interconnected, the higher the risk, the higher the return. Therefore, the higher the return obtained, the higher the investment interest. This research is in accordance with the theory of planned behavior, before carrying out investing activities, prospective investors really pay attention to the risks and returns of an investment. From the results of the data, respondents who have the highest indicator values of X2.2 and

The test results (see figure 1) show that the effect of minimum investment capital is 0.44 in a positive direction with a p value <0.01 , meaning the hypothesis is accepted in a positive direction. This proves that minimum investment capital influences interest in the capital market. This proves that investment returns influence students' interest in investing in the capital market. This research is supported by (Fajriyah & Barokah, 2023), (Murwaniputri & Bleskadit, 2023), (Umiyati et al., 2023), (Hidayahti & Suwarno, 2022). However, the findings of this research are not the same as (Herdjiono & Jumiati, 2022) which states the opposite.

CONCLUSION

The conclusion from this study is that minimum investment capital and investment returns influence investment interest in the capital market. This means that investment does not have to use large amounts of capital and provides returns for investors. The limitation of this study is the limited scope of respondents so it cannot be generalized. Suggestions for future research are to expand the research respondents, even if possible, to compare with international respondents so that the results can be generalized.

REFERENCE

Abni, M. Y., & Trisnawati, R. (2022). The Influence of Investment Knowledge, Capital Market Training, Minimal Capital, Technological Developments, and Motivation on Students' Interest in Investing in the Capital Market. *Journal of Social Research*, 2(1), 32–43. <https://doi.org/10.55324/josr.v2i1.418>

- Adela Putri, S., Hariyanto, D., & Ramdhan Ryanto, F. (2023). The Influence of Investment Knowledge and Minimum Investment Capital on Investment Interest in The Capital Market. *Journal of World Science*, 2(10), 1599–1609. <https://doi.org/10.58344/jws.v2i10.437>
- Ardiana, T. E., Sugianto, L. O., & Chamidah, S. (2020). The Influence of Minimum Investment Capital, Risk Perception on Students Investment in Indonesia Capital Market. *International Journal of Economics, Business and Accounting Research*, 4(3), 313–323.
- Burhanudin, Hidayati, S. A., & Putra, S. B. M. (2021). Pengaruh Pengetahuan Investasi, Manfaat Investasi, Motivasi Investasi, Modal Minimal Investasi dan Return Investasi terhadap Minat Investasi di Pasar Modal (Studi pada Mahasiswa Fakultas Ekonomi dan Bisnis Universitas Mataram). *Journal of Management and Business*, 9(1), 15–28.
- Fajriyah, A., & Barokah, S. (2023). Analysis of Factors Affecting Public Interest in Investing in the Capital Market. *Islamic Accounting Journal*, 1(1), 50–63. <https://doi.org/10.18326/iaj.v1i1.50-63>
- Herdjiono, I., & Jumiati, J. (2022). Factors That Influence the Interest in Becoming an Investor in the Capital Market. *Jurnal Economia*, 18(2), 159–171. <https://doi.org/10.21831/economia.v18i2.48184>
- Hidayah, N. A., & Suwarno. (2022). Students ' Interest in Investing in the Capital Market. *Jurnal Infokum*, 10(5), 1227–1243.
- Masrifah, P. K., Fujilestari, E., & Widayani, P. (2022). Jurnal Mirai Management Pengaruh Modal Minimal dan Motivasi Investasi Terhadap Minat Berinvestasi Mahasiswa di Pasar Modal Studi Kasus Mahasiswa Universitas Buana. *Jurnal Mirai Management*, 7(3), 461–470.
- Mayangsari, R., Yanthi, M. D., & Hasan, H. (2024). Factors Affecting East Java Students Investment Interest in the Capital Market [1]. *International Economic Conference of Business and Accounting*.
- Murwaniputri, H., & Bleskadit, N. H. (2023). The Impact of Investment Knowledge, Investment Returns, and Investment Risk on Investors' Investment Interests. *Riwayat: Educational Journal of History and Humanities*, 6(4), 2276–2280. <http://jurnal.usk.ac.id/riwayat/>
- Romadon, A. S. (2023). the Effect of Investment Knowledge, Minimum Investment Capital, and Motivation on Investment Interest. *Jurnal Ekonomi Dan Bisnis Airlangga*, 33(2), 245–256. <https://doi.org/10.20473/jeba.v33i22023.245-256>
- Rozak, A., Waspada, I., & Sari, M. (2022). Analysis of Minimum Capital, Risk, and Knowledge in Affecting Students' Interest in Investing with Moderated Income in Indonesian Capital Market. *Proceedings of the 6th Global Conference on Business, Management, and Entrepreneurship (GCBME 2021)*, 657(Gcbme 2021), 81–87. <https://doi.org/10.2991/aebmr.k.220701.018>
- Umiyati, H., Subiyanto, S., Kusumawati, Y. N., Suherman, A., Anwar, K., & Wedha, I. K. (2023). Analysis Of The Effect Of Motivation And Knowledge About Capital Market, Return, Risk And Minimum Capital On Interest To Invest In The Indonesia Stock Exchange (Case Study In The Financial Audit Board Of The Republic Of Indonesia). *International Journal of Business, Economics, and Social Development*, 4(3), 112–122. <https://doi.org/10.46336/ijbesd.v4i3.477>

A FRAMEWORK FOR ANALYZING BIG DATA'S IMPACT ON SUPPLY CHAIN OPERATIONS IN VOLATILE MARKETS

MUHAMMAD FAISAL

Ph.D. in AI Scholar – Faculty of Computer Science and Information Technology, Universiti Malaysia Sarawak

ORCID ID : 0000-0002-5797-766X

ABSTRACT

Dr Faisal Define the global markets face increasing volatility and unpredictable demands, supply chain managers are turning to Big Data Analytics (BDA) for a competitive edge. This paper proposes a novel framework for critically analyzing the impact of BDA on Supply Chain Operations (SCO). Built upon a Systematic Literature Review and underpinned by Task-Technology-Fit and Institutional theories, the framework explores how BDA can enhance decision-making, optimize efficiency, and drive improved performance in dynamic environments. However, the true value of BDA resides not just in its potential benefits, but also in acknowledging its limitations and challenges. The framework delves into key issues like data security, integration, and talent skill gaps, offering insights on how to overcome them for successful BDA implementation. Additionally, it considers the evolving nature of technology and data sources, ensuring its adaptability to future advancements. Furthermore, the framework acknowledges the ethical and sustainability implications of BDA usage within the supply chain, providing guidance on responsible data practices and resource optimization strategies. By comparing this framework with existing models, its unique contributions and potential for future research and practical application become even more evident. This research not only equips supply chain professionals with a valuable tool for understanding BDA's impact, but also paves the way for further exploration of its potential in navigating the complexities of today's volatile markets. The main chunk of the research focuses on understanding and analyzing the impact of Big Data Analytics (BDA) on Supply Chain Operations (SCO), particularly in volatile market environments. Today's global markets are increasingly volatile and unpredictable, creating challenges for supply chain managers. Big Data Analytics (BDA) holds the potential to help these managers make better decisions, optimize efficiency, and improve performance. The research proposes a novel framework based on a Systematic Literature Review and underpinned by relevant theories (Task-Technology-Fit and Institutional Theory). How BDA can enhance decision-making, optimize efficiency, and drive better outcomes in dynamic markets. Addressing limitations like data security, integration, and talent skill gaps to ensure successful BDA implementation. Considering the evolving nature of

technology and data sources to make the framework relevant for the future. Addressing ethical implications of data usage and exploring how BDA can contribute to sustainable supply chain practices. Providing a structured framework for analyzing BDA's impact on SCO. Offering insights into overcoming challenges and fostering responsible BDA usage. Highlighting the adaptability of the framework to future advancements. Overall, the main chunk of the research revolves around building a comprehensive framework for analyzing how BDA can be leveraged to improve supply chain operations in the face of increasing market volatility.

Keywords: unpredictable, edge, Systematic, decision-making, limitations,

ANPR-OCR TEXT MESSAGE ALERT SYSTEM FOR HIGH-SPEED VEHICLES**Bhakti Kshatriya****Rutuja Pawase****Harshal Mane****Prathmesh Mandlik**

Amrutvahini college of engineering, sangamner, India

ABSTRACT:

The purpose of Automatic Number Plate Recognition (ANPR) is to utilize image processing technology to identify vehicles by their number plates. The goal is to create a system that is highly effective and efficient. The vehicle number plate is used in an automatic authorized vehicle identification system. The initial step of the system involves detecting the presence of a vehicle, followed by capturing an image of the vehicle. The region containing the number plate is extracted from an image using image segmentation. Optical character recognition is then applied to the extracted region. The process of character recognition involves utilizing a recognition technique. The data obtained from this process is subsequently utilized for various purposes. The specific details, such as the vehicle's owner, registration location, and address, can be obtained by comparing the records in a database. The implementation of this system allows for accessing this information. The device which is able to perform the task is a Raspberry Pi4 processor. When any vehicle passes by the system, the image of the number plate of every vehicle is captured using camera. The image of the number plate details are fed as input to the Raspberry Pi4 processor. The Processor is tasked with verifying the authentication information of each driver and vehicle. Upon successful recognition of the details, the processor initiates its operation and identifies an unauthorized image of a number plate. To evaluate its performance, the developed system underwent testing on actual images following simulation in Matlab. The results of the experiment demonstrated the system's ability to accurately detect and identify vehicle number plates in real-life scenarios.

RADIOCHEMICAL CHARACTERIZATION OF VEGETABLES DRIED ALONG MAJOR HIGHWAYS IN NORTHERN NIGERIA

Usman Musa Kankara*,

Rabiu Nasiru,

Nuraddeen Nasiru Garba*,

Abdullahi Muhammad Vatsa

Department of Physics, Ahmadu Bello University, Zaria, Nigeria.

ORCID ID: 0000-0002-1620-4214

Acknowledgement

The Tertiary Education Trust Fund, Nigeria, under Ahmadu Bello University Institutional Based Research Grant (IBR) with number TETF/DR&D/UNI/ZARIA/IBR/2020/VOL.1/30, funds this research work.

Credit author statement

Usman Musa Kankara: Conceptualization, Methodology, Writing- Original draft
Rabiu Nasiru: Supervision, Funding Acquisition
Nuraddeen Nasiru Garba: Conceptualization, Investigation, Writing- Review & Editing
Abdullahi Muhammad Vatsa: Validation, Formal Analysis

RADIOCHEMICAL CHARACTERIZATION OF VEGETABLES DRIED ALONG MAJOR HIGHWAYS IN NORTHERN NIGERIA

ABSTRACT

The ever presence of radionuclides in the environment made necessary the continuous assessment of health risks posed by these elements. Dried samples of five (5) commonly consumed vegetables were obtained from 4 different highway roads across the six states of the Northern geopolitical region of Nigeria and the concentrations of Naturally occurring radionuclides (^{238}U , ^{232}Th and ^{40}K) were determined using NaI (TI) gamma spectrometry. The mean activity concentration was found to be 2.84 and 2.56 Bq/kg for ^{238}U , 2.17 and 2.02 Bq/kg for ^{232}Th and 108.1 Bq/kg for ^{40}K . The Radioactivity concentrations in the samples were found to be within the safety limit set by WHO.

Key words: Radionuclides, gamma spectrometry, environment, NaI(TI), WHO and Nigeria.

1. INTRODUCTION

Natural radioactivity is always present in world's environmental media since its formation (Adedokun et al., 2019; Asaduzzaman et al., 2015; Kumari et al., 2015), and is found in every constituent of the environment; air, water, soil, food and in humans (Abojassim et al., 2016; Tettey-Larbi et al., 2013). Radionuclides that are found on Earth and existed since the formation of the Earth are known as primordial terrestrial radionuclides (Abdulkadir et al., 2021). The decay product of these radionuclides, which include 238U and 232Th series together with 40K, and cosmic rays forms the sources of natural radioactivity in the Earth environment (Kessaratikoon and Awaekechi, 2008). Natural radionuclides occur in soil and are incorporated metabolically into plants, and ultimately find their way into food crops and water (Kumari et al., 2015; Nyanda and Nkuba, 2017). These components may be enhanced by human activities like agricultural inputs, urbanization, use of fossil fuels, industrial activities, dumping of radioactive wastes, disposal of industrial effluents, etc. (Abojassim et al., 2016). Radiation exposure, however, varies from one location to another depending on factors such as the type of radionuclides present, local geology (Radhakrishna et al., 1993), climatic condition, soil type, industrial and agricultural activities (Adedokun et al., 2019).

Food is among the major sources of ingestion of radioactivity in humans (Adedokun et al., 2019; Jibiri et al., 2007), particularly all categories of vegetables. Vegetables are known to be of highly enriched in vitamins, and can serve as sources of antioxidants and fibre (Adedokun et

al., 2019). Green leafy vegetables are very prone to external contamination during their growing season (Nyanda and Nkuba, 2017), fallout and post-harvest drying. It has been estimated that at least one-eighth of the mean annual effective dose due to natural sources is caused by the consumption of foodstuff which in turn depend upon the local geology of each region in the world (Hernandez et al., 2004). Over the years emphasis have been geared by the International Commission on Radiological Protection (ICRP) and World Health Organization (WHO) towards minimize the hazards caused by ionizing radiation from manmade or naturally occurring radioactive materials (Esen et al., 2013). In addition, due to the increasing awareness on radiation safety, protection and security, positive impact has been made in reducing radiation hazards and associated problems. Food safety is a major public concern worldwide (Gizaw, 2019). The increasing demands for food and food safety has drawn the attention of researchers to the risks associated with consumption of radiation-contaminated foodstuffs. According to the International Food Safety Authorities Network (WHO, 2011), plants used as food commonly have ^{40}K , ^{232}Th and ^{238}U and their progenies (Tetty-Larbi et al., 2013).

In Nigeria, green leafy vegetables have widespread acceptance as a dietary constituent and generally forming a substantial portion of the diet, in the preparation of soups and stews in homes (Hart et al., 2005). Fresh okra is among the most important vegetable crops cultivated in Nigeria with the country being ranked as the 44th largest okra producing nation in the world (Agunsoye et al., 2020). Presently in Nigeria, okra production is about 2,060,280 tons produced on 1,480,386 hectares (Agunsoye et al., 2020). In Northern Nigeria Okra is often sliced and sun-dried before been grinded and later used in making soup. Other vegetables produce in mass quantity in Northern Nigeria are tomatoes and pepper. Because of the perishable nature of these vegetables and the lack of mechanized farming, local farmers in Northern Nigeria widely used open sun drying as the means of preservation.

Open sun drying of vegetables and agricultural products has been widely practiced in the world for ages and is by far the most common means of preservation of farm produce (Kankara et al., 2021). Though the drying technique differs in different locality and for different commodity, the customary technique of open sun drying involves spreading the material to be dried on a thin layer on ground/mats or plastic sheet and exposing it to sun and wind (And and Barrett, 2006). The process of drying vegetables and other foodstuffs locally by open sun drying and especially along the roadside may lead to the contamination of the dried items by heavy metals or airborne radioactive elements (Kankara et al., 2021). The specific aim of this research is to

assess the radiological contamination on vegetables dried along major highways in Northern Nigeria.

2. Materials and Method

2.1 Sample Collection and Preparation

A total of 60 samples of 5 commonly consumed vegetables locally dried along the roadside were obtained from 4 different highway roads across the six states of the North-western geopolitical region of Nigeria. The highways considered are Katsina - Kaduna, Zaria-Kano, Zamfara - Sokoto and Kaduna - Abuja. The samples were placed in polythene bags, tagged properly according to the highways and the type of vegetables, and later taken to the herbarium, Botany Department, Ahmadu Bello University, Zaria for identification as presented in Table 1.

Table 1: Sample specification

The samples were washed under running water to remove dirt, sand and insect (Adedokun et al., 2019) and then dried with blotting paper and filter paper at room temperature to remove surface water. The samples were broken into smaller pieces, oven dried at 55⁰C and grinded into fine powder using a porcelain mortar and pestle. The resulting powder was kept in air tight polythene packet at room temperature for 30 days for the long-lived radionuclide parent to be in secular equilibrium with their short lived daughter in the ²³⁸U and ²³²Th decay series (Mahur et al., 2008) before being taken to the laboratory for radioactivity analysis.

2.2 Measurement of Gamma Activity

NaI (TI) scintillation detector, situated at the Center for Energy Research and Training (CERT) Ahmadu Bello University Zaria, was used for the gamma activity measurement. The detector has a 6cm thick lead shield, cadmium lined assembly with copper sheets and is coupled to a photomultiplier tube. The choice of this detector is due to its high efficiency (because of its density and high atomic number) and low resolving time of 2.5 μ s. Energy and efficiency calibrations were carried out using two calibration sources of ¹³⁷Cs and ⁶⁰Co. The specific activity of ²³⁸U and ²³²Th were measured using property of secular equilibrium with their decay products such as transition lines of ²¹⁴Bi (1765 keV) and transition lines of ²⁰⁸Tl (2614 keV) respectively. Potassium-40 was measured directly from the photo peak at 1460 keV. The measuring time for all samples under study was 8 hours.

The specific activity for each detected photo peak was calculated using the Eq. 1 (Abojassim et al., 2016).

$$A = \frac{N - N_o}{I_\gamma \varepsilon m t} \quad 1$$

Where A is the specific activity of the radionuclide in the sample, N is the net counts of a given peak for a sample, N_o is the background count of the given peak, I_γ is the number of gamma photons per disintegration, ε is the detector efficiency at the specific gamma-ray energy, m is the measured mass of the sample, and t is the measuring time.

3 Results and Discussion

3.1 Radionuclides Concentration in Dried Vegetables

The activity concentration (Bq/kg) of the naturally occurring radioactive materials ($^{238}\text{U}/^{226}\text{Ra}$, ^{232}Th and ^{40}K) in the vegetable samples is presented in Fig. 1. The radioactivity concentrations ranged from 2.11– 2.80 Bq/kg, 1.66 – 2.27 Bq/kg and 82.06–107.11 Bq/kg for ^{238}U , ^{232}Th and ^{40}K respectively. As shown in Fig. 1, in all the vegetable samples, activity levels of ^{238}U and ^{232}Th were found to follow the order Okro > Bell pepper > Roselle > Moringa > Baobab leaves. As expected, the specific activity of ^{40}K was notably higher than that of ^{232}Th and ^{226}Ra . High levels of ^{40}K were recorded in Baobab leaves followed by Moringa and Okra all from the same location. The lowest activities were found in Roselle and Bell pepper indicating that these two vegetables are poor accumulators of ^{40}K . The high specific activity of ^{40}K might be due to its high relative abundance and the use of fertilizer by local farmers (Hassan et al., 2021; Kumari et al., 2015). The high concentration may also be due to the environmental conditions and the geo-morphology of the study areas.

4 Conclusion

This study assessed the radiological concentrations on vegetables dried along major highways in Northern Nigeria. The mean activity concentration was found to be 2.84 and 2.56 Bq/kg for ^{238}U , 2.17 and 2.02 Bq/kg for ^{232}Th and 108.1 Bq/kg for ^{40}K . Enhanced activity from ^{40}K was due to the application of fertilizer by the local farmers while the concentration of ^{238}U and ^{232}Th were all within safety limits.

REFERENCES

- Abdulkadir, M., Garba, N.N., Nasiru, R., Saleh, M.A., Bello, S., Khandaker, M.U., (2021). Statistical analysis of terrestrial gamma radiation dose rates in relation to different geological formations and soil types of Katsina State, Nigeria. *International Journal of Environmental Analytical Chemistry*, 1-13.
- Abojassim, A.A., Hady, H.N., Mohammed, Z.B., (2016). Natural radioactivity levels in some vegetables and fruits commonly used in Najaf Governorate, Iraq. *Journal of bioenergy and food science* 3(3), 113-123.
- Adedokun, M.B., Aweda, M.A., Maleka, P.P., Obed, R.I., Ogungbemi, K.I., Ibitoye, Z.A., (2019). Natural radioactivity contents in commonly consumed leafy vegetables cultivated through surface water irrigation in Lagos state, Nigeria. *Journal of Radiation Research and Applied Sciences* 12(1), 147-156.
- Agunsoye, J., Abubakar, I., Ogijo, S., Zakariyah, A., Okaiyeto, S., (2020). Design and Construction of Densification Machine for Vegetables in Rural Settlements.
- Amin, R.M., Ahmed, F., (2013). Estimation of annual effective dose to the adult Egyptian population due to natural radioactive elements in ingestion of spices. *Pelagia Research Library Advances in Applied Science Research* 4(5), 350-354.
- And, G.L., Barrett, D.M., (2006). Influence of pre-drying treatments on quality and safety of sun-dried tomatoes. Part I: Use of Steam Blanching, Boiling Brine Blanching, and Dips in Salt or Sodium Metabisulfite. *Journal of food science* 71(1), S24-S31.
- Asaduzzaman, K., Khandaker, M.U., Amin, Y.M., Zainuddin, Z., Farook, M., Bradley, D., (2015). Measurement of radioactivity and heavy metal levels in edible vegetables and their impact on Kuala Selangor communities of Peninsular Malaysia. *Radiation protection dosimetry* 167(1-3), 165-170.
- Choi, M.-S., Lin, X.-J., Lee, S.A., Kim, W., Kang, H.-D., Doh, S.-H., Kim, D.-S., Lee, D.-M., (2008). Daily intakes of naturally occurring radioisotopes in typical Korean foods. *Journal of environmental radioactivity* 99(8), 1319-1323.
- Esen, N., Ituen, E., Etuk, S., Nwokolo, S., (2013). A survey of environmental radioactivity level in laboratories of the town Campus University, Uyo Niger Delta region. *Advances in Applied Science Research* 4(4), 1-5.
- Gizaw, Z., (2019). Public health risks related to food safety issues in the food market: a systematic literature review. *Environmental health and preventive medicine* 24(1), 1-21.
- Hart, A., Azubuiké, C., Barimalaa, I., Achinewhu, S., (2005). Vegetable consumption pattern of households in selected areas of the old Rivers State in Nigeria. *African Journal of Food, Agriculture, Nutrition and Development* 5(1).
- Hassan, Y.M., Zaid, H.M., Guan, B.H., Khandaker, M.U., Bradley, D., Sulieman, A., Latif, S.A., (2021). Radioactivity in staple foodstuffs and concomitant dose to the population of Jigawa state, Nigeria. *Radiation Physics and Chemistry* 178, 108945.
- Hernandez, F., Hernandez-Armas, J., Catalan, A., Fernandez-Aldecoa, J., Landeras, M., (2004). Activity concentrations and mean annual effective dose of foodstuffs on the island of Tenerife, Spain. *Radiation protection dosimetry* 111(2), 205-210.
- IAEA, (1989). *Measurement of Radionuclides in Food and the Environment - A Guidebook* International Atomic Energy Agency Vienna.
- ICRP, (1996). ICRP Publication 72: Age-dependent Doses to the Members of the Public from Intake of Radionuclides Part 5, Compilation of Ingestion and Inhalation Coefficients. Elsevier Health Sciences.
- Jibiri, N., Farai, I., Alausa, S., (2007). Estimation of annual effective dose due to natural radioactive elements in ingestion of foodstuffs in tin mining area of Jos-Plateau, Nigeria. *Journal of environmental radioactivity* 94(1), 31-40.
- Kankara, U.M., Nasiru, R., Garba, N.N., Kankara, J.M., Kankara, U.M., (2021). Assessment of Heavy Metal Concentration in Vegetables Dried along Funtua-Danja Highway Katsina State, Nigeria. *FUDMA Journal of Sciences* 5(1), 467-471.
- Kessaratikoon, P., Awaekechi, S., (2008). Natural radioactivity measurement in soil samples collected from municipal area of Hat Yai district in Songkhla province, Thailand. *KMITL Sci J Section A* 8(2), 52-58.

Kumari, R., Kant, K., Garg, M., Gupta, R., Sonkawade, R., Chakarvarti, S., (2015). Activity concentration and annual effective ingestion dose assessment due to natural radionuclides present in cereal samples consumed by inhabitants of India. *International Journal of Low Radiation* 10(2), 155-168.

Mahur, A., Kumar, R., Sonkawade, R., Sengupta, D., Prasad, R., (2008). Measurement of natural radioactivity and radon exhalation rate from rock samples of Jaduguda uranium mines and its radiological implications. *Nuclear Instruments and Methods in Physics Research Section B: Beam Interactions with Materials and Atoms* 266(8), 1591-1597.

Nyanda, P.B., Nkuba, L.L., (2017). Natural radioactivity in vegetables from selected areas of Manyoni District in Central Tanzania. *Physical Science International Journal* 16(2), 1-10.

Osagie, A.U., Eka, O.U., (1998). *Nutritional quality of plant foods*. Post-Harvest Research Unit. University of Benin, Benin City, 62.

Radhakrishna, A., Somashekarappa, H., Narayana, Y., Siddappa, K., (1993). A new natural background radiation area on the southwest coast of India. *Health Physics* 65(4), 390-395.

Shanthi, G., Kumaran, J.T.T., Raj, G.A.G., Maniyan, C., (2010). Natural radionuclides in the South Indian foods and their annual dose. *Nuclear Instruments and Methods in Physics Research Section A: Accelerators, Spectrometers, Detectors and Associated Equipment* 619(1-3), 436-440.

Tetty-Larbi, L., Darko, E.O., Schandorf, C., Appiah, A.A., (2013). Natural radioactivity levels of some medicinal plants commonly used in Ghana. *SpringerPlus* 2(1), 1-9.

UNSCEAR, (2000). *Effects of Ionizing Radiation, 2000 Report to the General Assembly, with Scientific Annexes*. United Nations, New York.

WHO, (2011). *Report of the first global meeting of the International Food Safety Authorities Network (INFOSAN), Abu Dhabi, United Arab Emirates, 14-16 December 2010*. World Health Organization.

Tables and Figures

Table 1

S/N	Sample code	Common Name	English Name	Botanical Name	Part used
1	TT	Tattasai	Bell Pepper	<i>Capsicum annuum</i>	Fruit
2	KK	Kuka	Baobab leaves	<i>Adansonia digitata</i>	Leaf
3	KB	Kubewa	Okra	<i>Abelmoschus esculentus</i>	Fruit
4	ZB	Zobo	Roselle	<i>Hibiscus sabdariffa</i>	Fruit
5	ZG	Zogale	Moringa	<i>Moringa oleifera</i>	Leaf

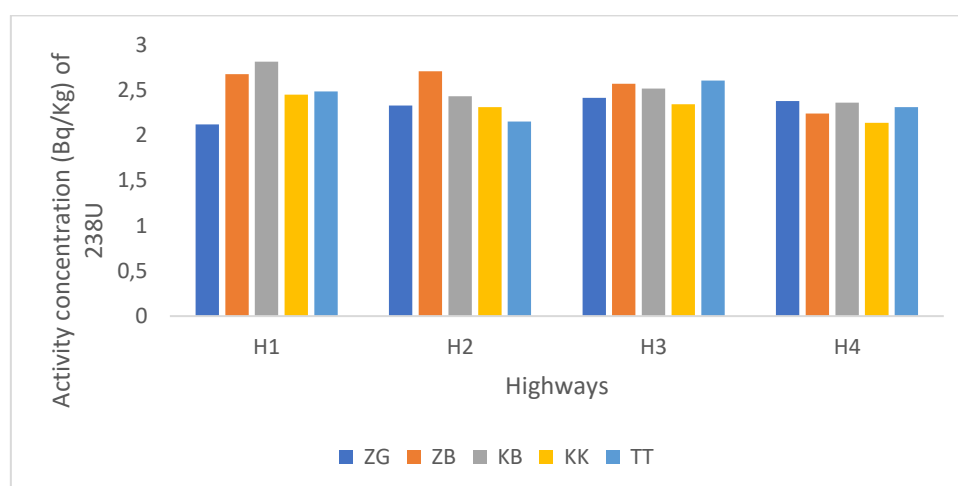


Fig 1. Specific activity of ²³⁸U from the vegetable samples dried along highways in Northwestern Nigeria.

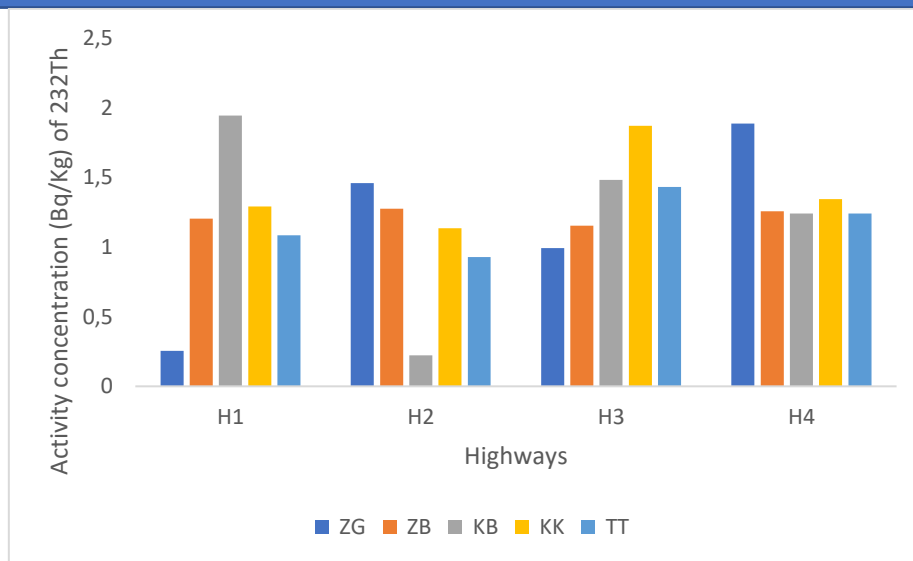


Fig 2. Specific activity of ²³²Th from the vegetable samples dried along highways in Northwestern Nigeria.

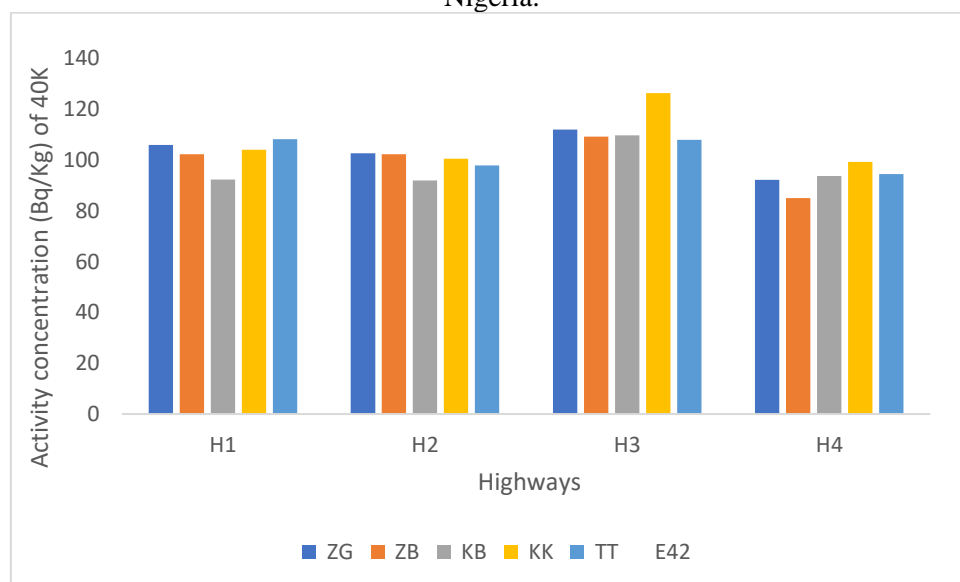


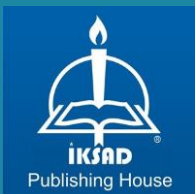
Fig 3. Specific activity of ⁴⁰K from the vegetable samples dried along highways in Northwestern Nigeria.

Table 1 Sample specification

Fig 1 Specific activity of ²³⁸U from the vegetable samples dried along highways in Northwestern Nigeria

Fig 2 Specific activity of ²³²Th from the vegetable samples dried along highways in Northwestern Nigeria.

Fig 3 Specific activity of ⁴⁰K from the vegetable samples dried along highways in Northwestern Niger



<https://www.isarconference.org/>

ISBN: ' 978-625-367-668-1'